



US00D982000S

(12) **United States Design Patent** (10) **Patent No.:** **US D982,000 S**
Chila et al. (45) **Date of Patent:** **** Mar. 28, 2023**

(54) **CONTROLLER FOR STORAGE SHELVING UNIT**

(71) Applicant: **Ethicon, Inc.**, Somerville, NJ (US)

(72) Inventors: **Matthew Chila**, Somerville, NJ (US);
Kevin McHale, Knoxville, TN (US);
Alex Weber, Knoxville, TN (US)

(73) Assignee: **Ethicon, Inc.**, Raritan, NJ (US)

(**) Term: **15 Years**

(21) Appl. No.: **29/753,878**

(22) Filed: **Oct. 2, 2020**

(51) **LOC (14) Cl.** **14-02**

(52) **U.S. Cl.**
USPC **D14/307**

(58) **Field of Classification Search**
USPC D14/167, 154, 168, 188, 496, 156, 160,
D14/161, 162, 163, 164, 165, 158, 253,
D14/192, 159, 155, 138 AB, 137, 104.1,
D14/307; 455/351, 350, 353; D10/104,
D10/106, 65, 78; 340/573.4, 573.1
CPC G08B 13/1672; G08B 13/19645; G08B
25/006; H04M 11/04
See application file for complete search history.

(56) **References Cited**

U.S. PATENT DOCUMENTS

D211,579 S * 7/1968 Cordes, Jr. D14/307
D373,584 S * 9/1996 Anand D14/371
D661,291 S * 6/2012 Renukanand D14/307
D662,992 S * 7/2012 Hernandez D20/19
D826,922 S * 8/2018 Väänänen D14/307
10,198,710 B1 2/2019 Hahn et al.
10,318,917 B1 6/2019 Goldstein et al.
10,339,493 B1 7/2019 Famularo et al.
D884,693 S * 5/2020 Mangeot D14/307
D884,694 S * 5/2020 Mangeot D14/307

D894,894 S * 9/2020 Corre D14/307
D896,806 S * 9/2020 Zheng D14/307
D902,919 S * 11/2020 Carmona D14/307
D903,654 S * 12/2020 Hansen D14/307
D922,995 S * 6/2021 Lin D14/307
D928,869 S * 8/2021 Zhang D18/4.5
D941,286 S * 1/2022 Eun D14/307
D952,627 S * 5/2022 Hansen D14/307
D960,147 S * 8/2022 James D14/307
D962,220 S * 8/2022 Jung D14/307

(Continued)

FOREIGN PATENT DOCUMENTS

KR 101 890 142 B1 8/2018

OTHER PUBLICATIONS

International Search Report and Written Opinion dated Jan. 5, 2022 received in International Application No. PCT/IB2021/058991.

(Continued)

Primary Examiner — Austin Murphy

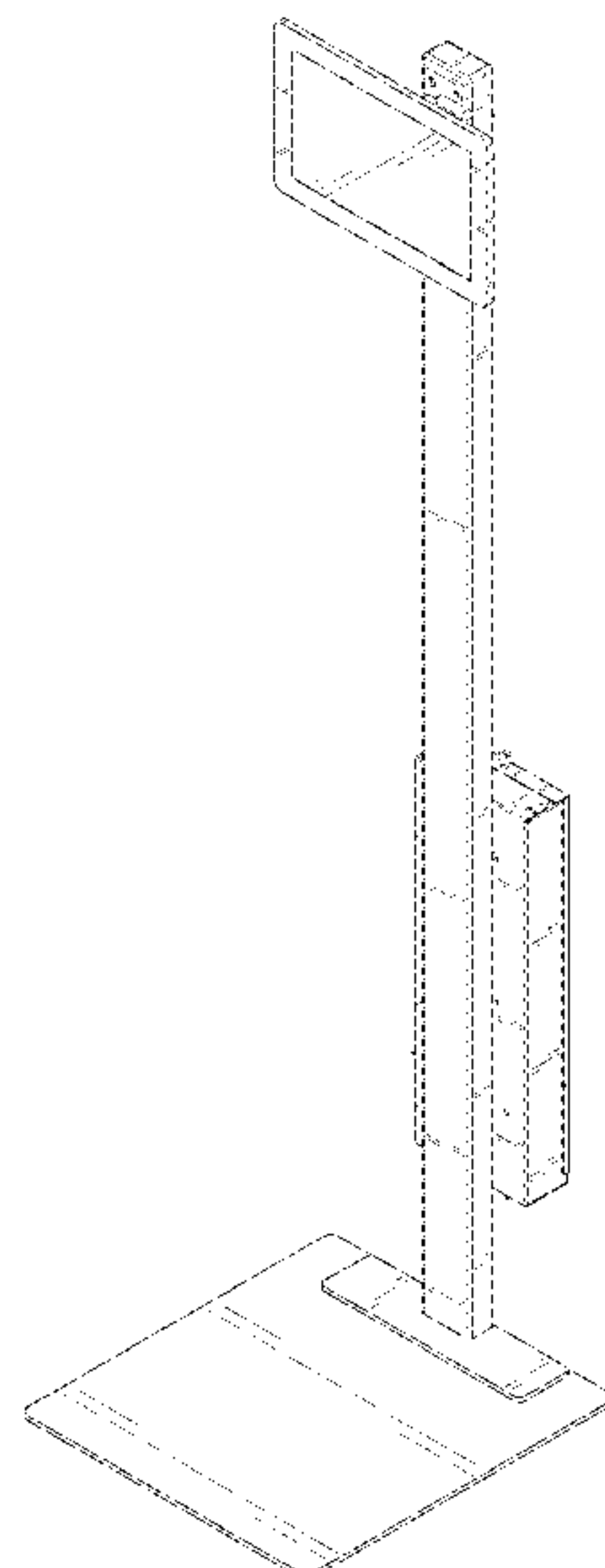
(57) **CLAIM**

The ornamental design for a controller for storage shelving unit, as shown and described.

DESCRIPTION

FIG. 1 is a top perspective view of the controller for storage shelving unit showing our new and ornamental design; FIG. 2 is a front elevation view thereof; FIG. 3 is a back elevation view thereof; FIG. 4 is a side elevation view thereof; FIG. 5 is an alternate side elevation view thereof; FIG. 6 is a top plan view thereof; and, FIG. 7 is a bottom plan view thereof. The portions of the controller for storage shelving unit shown in broken lines in the figures attached hereto form no part of the claimed design.

1 Claim, 7 Drawing Sheets



(56)

References Cited

U.S. PATENT DOCUMENTS

D965,584 S * 10/2022 Inouye D14/307
2011/0054668 A1 3/2011 Holmes et al.
2014/0297487 A1 10/2014 Bashkin
2018/0305123 A1 10/2018 Lert, Jr. et al.
2019/0231467 A1 8/2019 Grimsley et al.

OTHER PUBLICATIONS

International Search Report and Written Opinion dated Aug. 17,
2021 received in International Application No. PCT/IB2021/
054487.

* cited by examiner

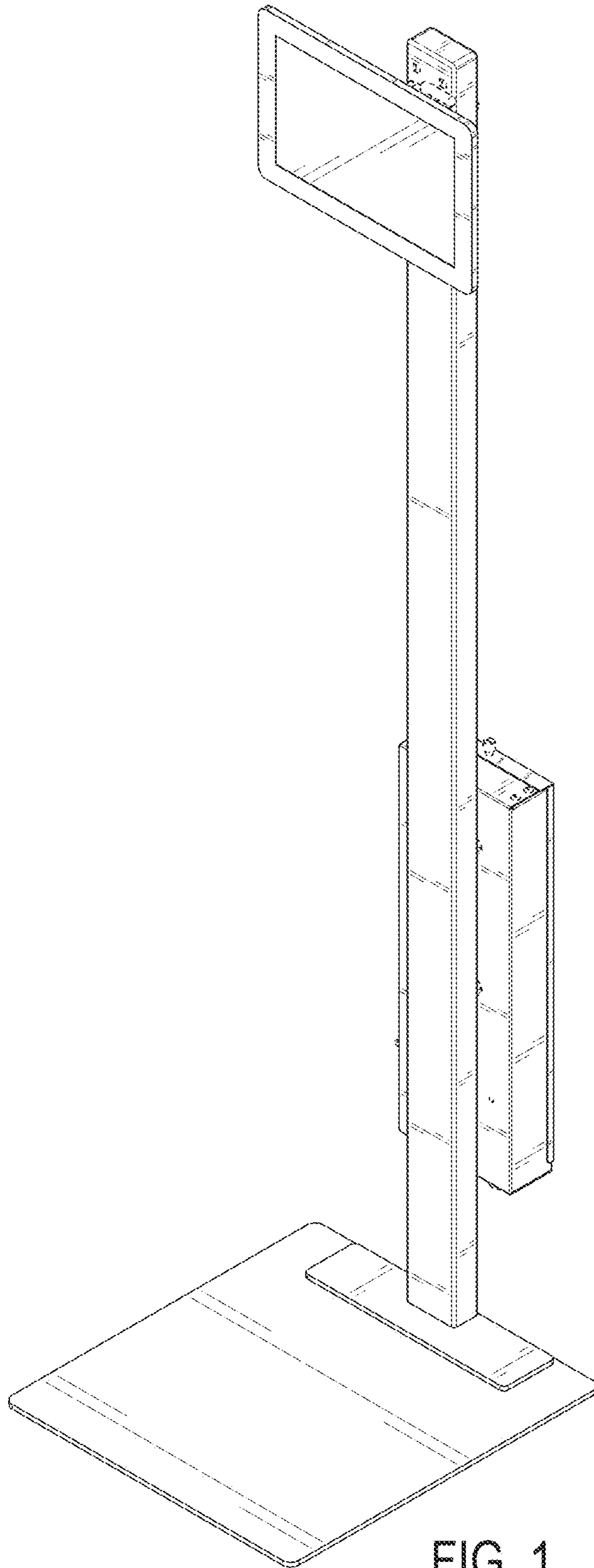


FIG. 1

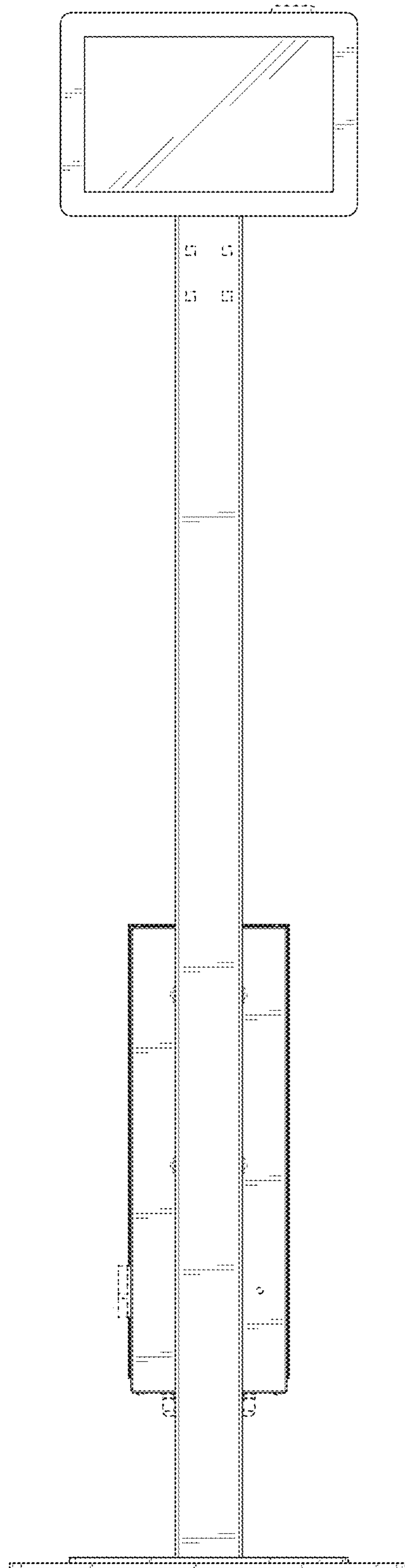


FIG. 2

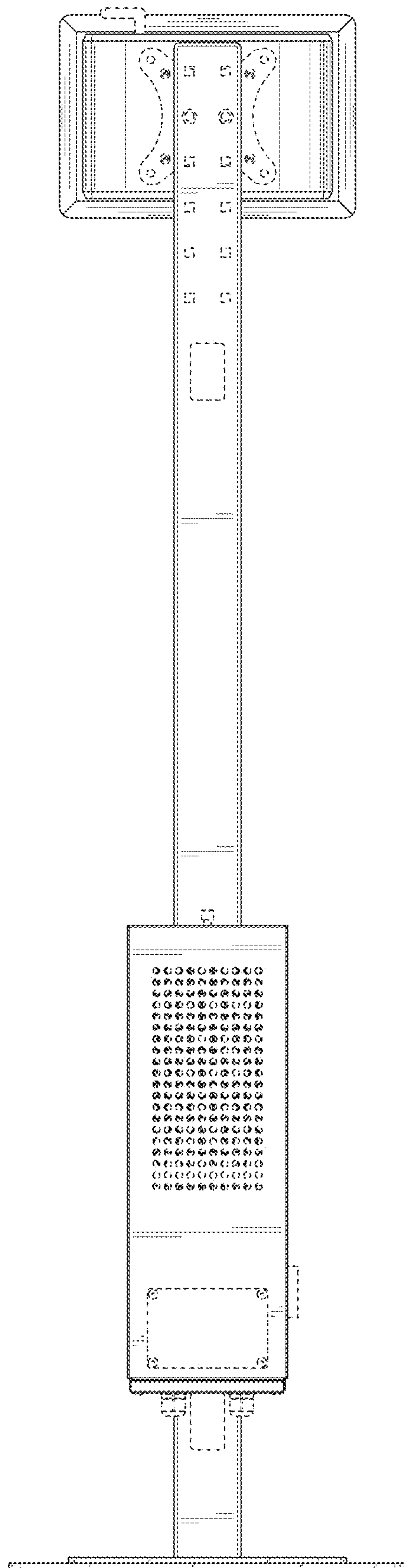


FIG. 3

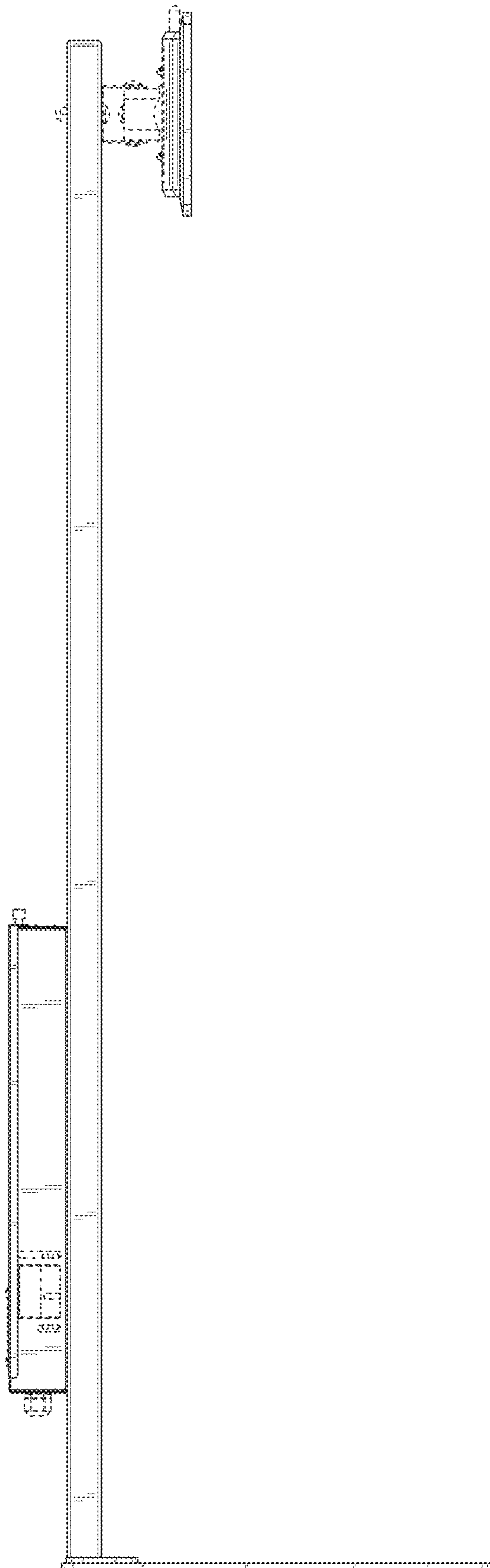


FIG. 4

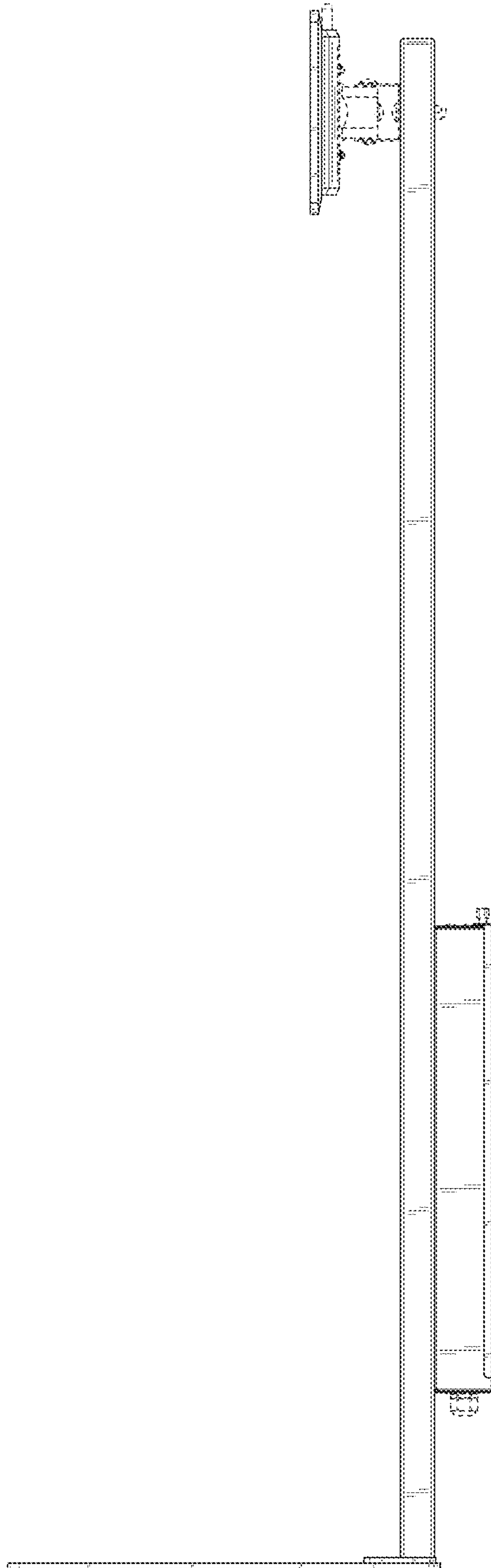


FIG. 5

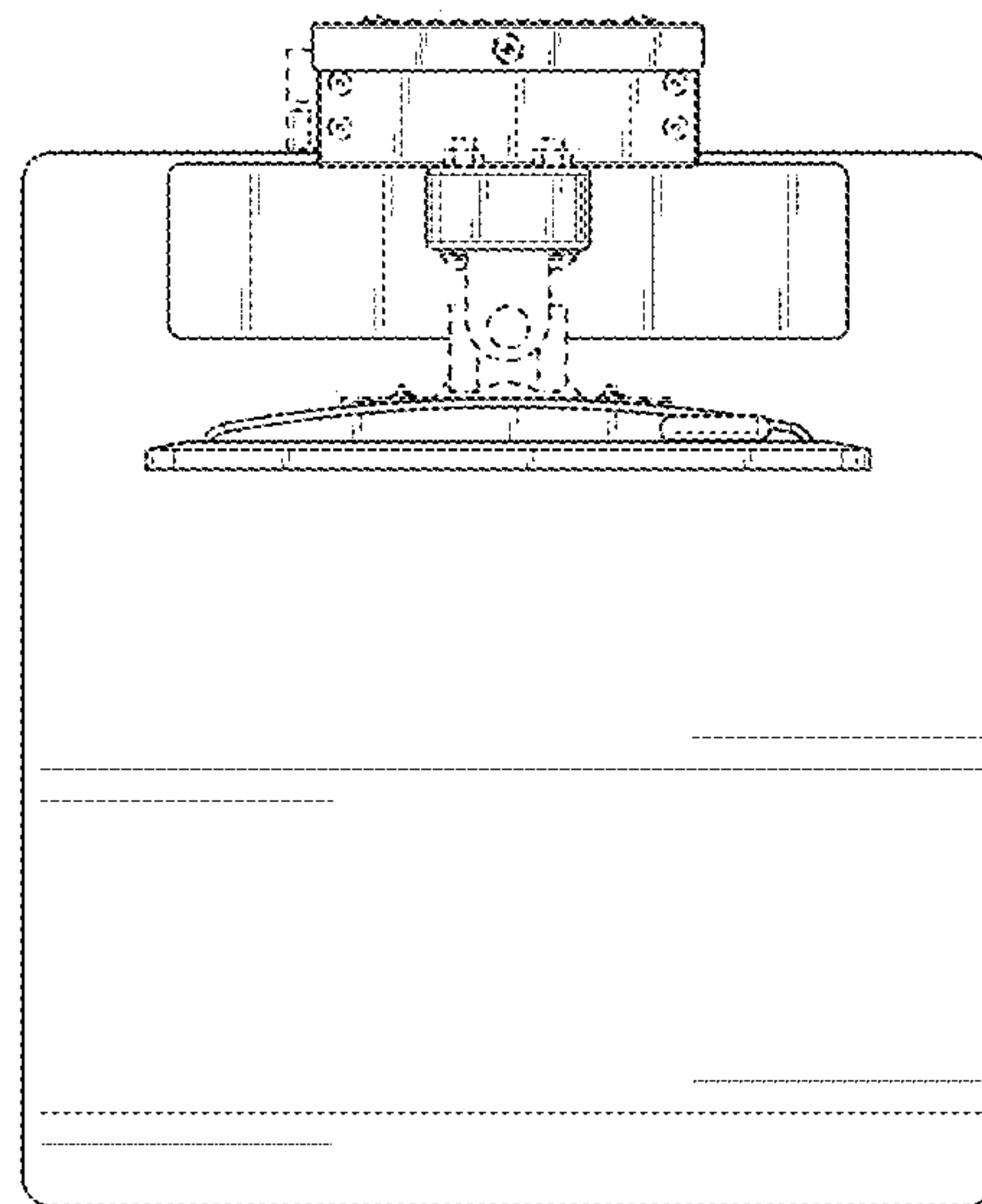


FIG. 6

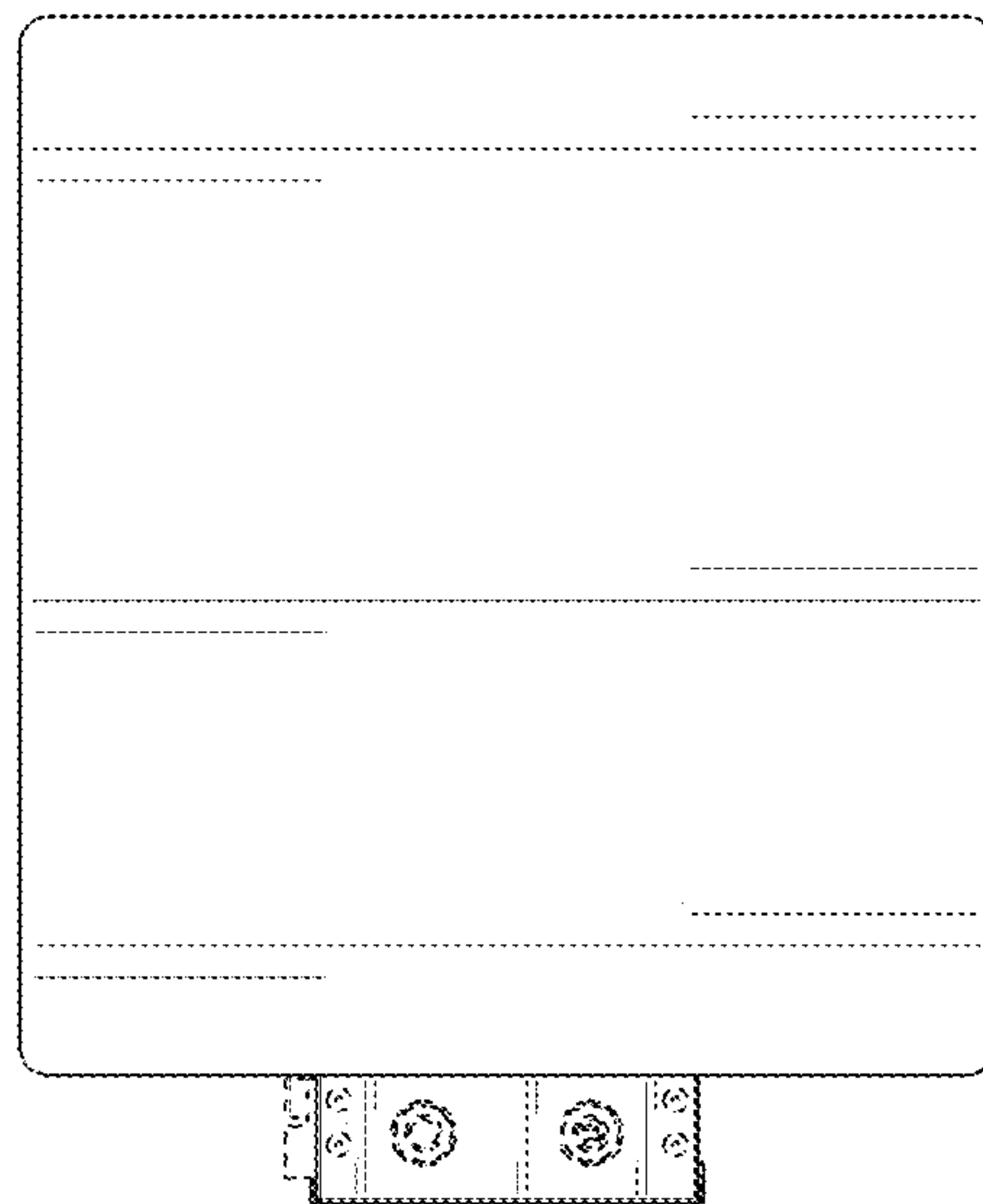


FIG. 7