



US00D981994S

(12) **United States Design Patent** (10) **Patent No.:** **US D981,994 S**
Feldstein et al. (45) **Date of Patent:** **** Mar. 28, 2023**

(54) **AUDIO VISUAL CART**

www.amazon.com/Balt-Media-Space-Mobile-27809/dp/B06WLKW9Y2 (Year: 2017).*

(71) Applicant: **Crestron Electronics, Inc.**, Rockleigh, NJ (US)

(Continued)

(72) Inventors: **Wendy Feldstein**, Old Tappan, NJ (US); **Sae Jhun**, Bayside, NY (US); **Howie Balch**, Bloomingdale, NJ (US); **Don Florczak**, Tenafly, NJ (US); **Chetan Khanna**, New City, NJ (US); **Gautham Basti**, Bengaluru (IN)

Primary Examiner — Marie D. Fast Horse
Assistant Examiner — Josiah D. Parsons
(74) *Attorney, Agent, or Firm* — Crestron Electronics, Inc.

(73) Assignee: **Crestron Electronics, Inc.**, Rockleigh, NJ (US)

(57) **CLAIM**

The ornamental design for an audio visual cart, as shown and described.

(**) Term: **15 Years**

(21) Appl. No.: **29/781,973**

DESCRIPTION

(22) Filed: **May 3, 2021**

(51) **LOC (14) Cl.** **14-03**

(52) **U.S. Cl.**
USPC **D14/239**

(58) **Field of Classification Search**
USPC D6/675.1; D14/125, 126, 239, 450, 451, D14/452, 336, 371, 374, 375, 376, 377,
(Continued)

FIG. 1 is a top perspective view of an audio visual cart showing our new design with an additional environmental display;
FIG. 2 is another top perspective view of the audio visual cart of FIG. 1 shown without the environmental display;
FIG. 3 is a bottom perspective view of the audio visual cart shown in FIG. 2;
FIG. 4 is a front elevation view of the audio visual cart shown in FIG. 2;
FIG. 5 is a back elevation view of the audio visual cart shown in FIG. 2;
FIG. 6 is a left side elevation view of the audio visual cart shown in FIG. 2;
FIG. 7 is a right side elevation view of the audio visual cart shown in FIG. 2;
FIG. 8 is a top plan view of the audio visual cart shown in FIG. 2; and,
FIG. 9 is a bottom plan view of the audio visual cart shown in FIG. 2.

(56) **References Cited**

U.S. PATENT DOCUMENTS

D341,010 S * 11/1993 Johnson D34/17
D440,545 S * 4/2001 Pham D14/126
(Continued)

FOREIGN PATENT DOCUMENTS

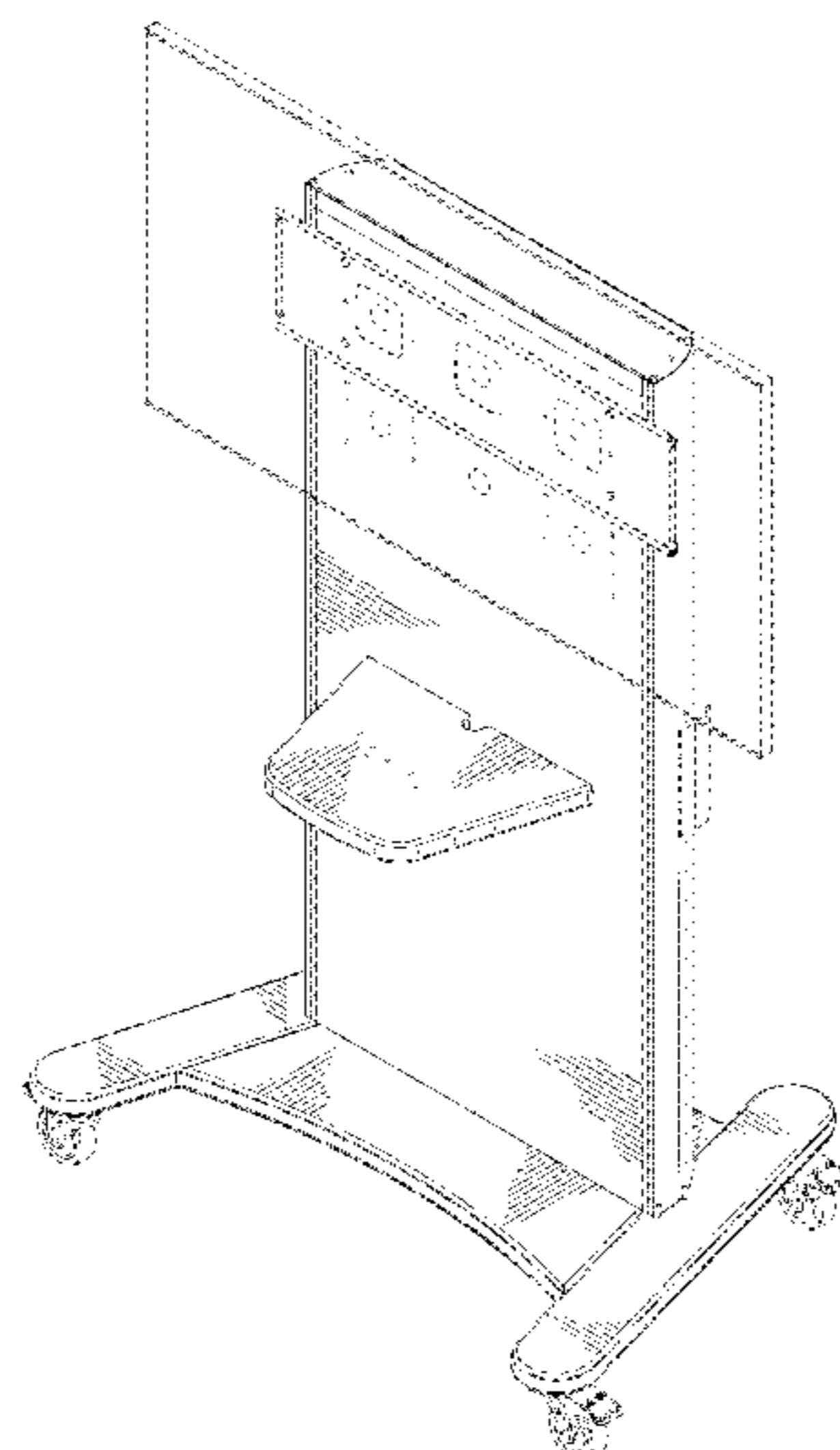
CN 201262300 Y * 6/2009 F16M 11/04
CN 107091394 A * 8/2017 F16M 11/046
(Continued)

OTHER PUBLICATIONS

Balt Media Space Mobile Flat Panel TV Cart, posted Feb. 13, 2017 [online], [retrieved Feb. 12, 2022]. Retrieved from internet, https://

The broken lines in FIG. 1 showing the display depict unclaimed environmental subject matter only and form no part of the claim. All other broken lines in the drawings depict parts of the audio visual cart that form no part of the claim.

1 Claim, 9 Drawing Sheets



US D981,994 S

Page 2

(58) **Field of Classification Search**

USPC D14/209.1, 211, 224; D19/91; D34/12,
D34/17, 21
CPC A47B 2200/0076; A47B 2200/0075; A47B
2200/0023; A47B 81/061; A47B 81/062;
A47B 81/064; A47B 81/065; A47B
21/00; A47B 21/04; A47B 2021/0364;
B62B 1/00; B62B 2206/06; F16M 11/00;
F16M 11/28

See application file for complete search history.

D930,633 S * 9/2021 Xu D14/239
D958,122 S * 7/2022 Ren D6/672
2015/0330557 A1* 11/2015 Aoyagi F16M 11/22
248/561
2021/0345769 A1* 11/2021 De Vries F16B 12/24

FOREIGN PATENT DOCUMENTS

CN 107232811 A * 10/2017 A47B 81/064
GB 2443159 A * 4/2008 A47B 81/06
JP D1157899 * 9/2002
WO WO-2019097812 A1 * 5/2019 A47B 96/02

(56) **References Cited**

U.S. PATENT DOCUMENTS

D615,514 S * 5/2010 Melligen D14/371
8,322,732 B2 12/2012 McKay et al.
8,438,331 B2 5/2013 Maeda
D820,818 S 6/2018 Heckler
D821,371 S 6/2018 Heckler
D866,537 S * 11/2019 Knapp D14/239
D914,659 S * 3/2021 Xu D14/239

OTHER PUBLICATIONS

Colebrook Bosson Saunders AV/VC single screen, posted Dec. 10, 2020 [online], [retrieved Feb. 12, 2022]. Retrieved from internet, https://www-amazon-pl.translate.google/Colebrook-Bosson-Saunders-jednoekranowa-konfiguracja/dp/B07CSZVY4P?_x_tr_sl=pl&_x_tr_tl=en&_x_tr_hl=en&_x_tr_pto=sc (Year: 2020).*

* cited by examiner

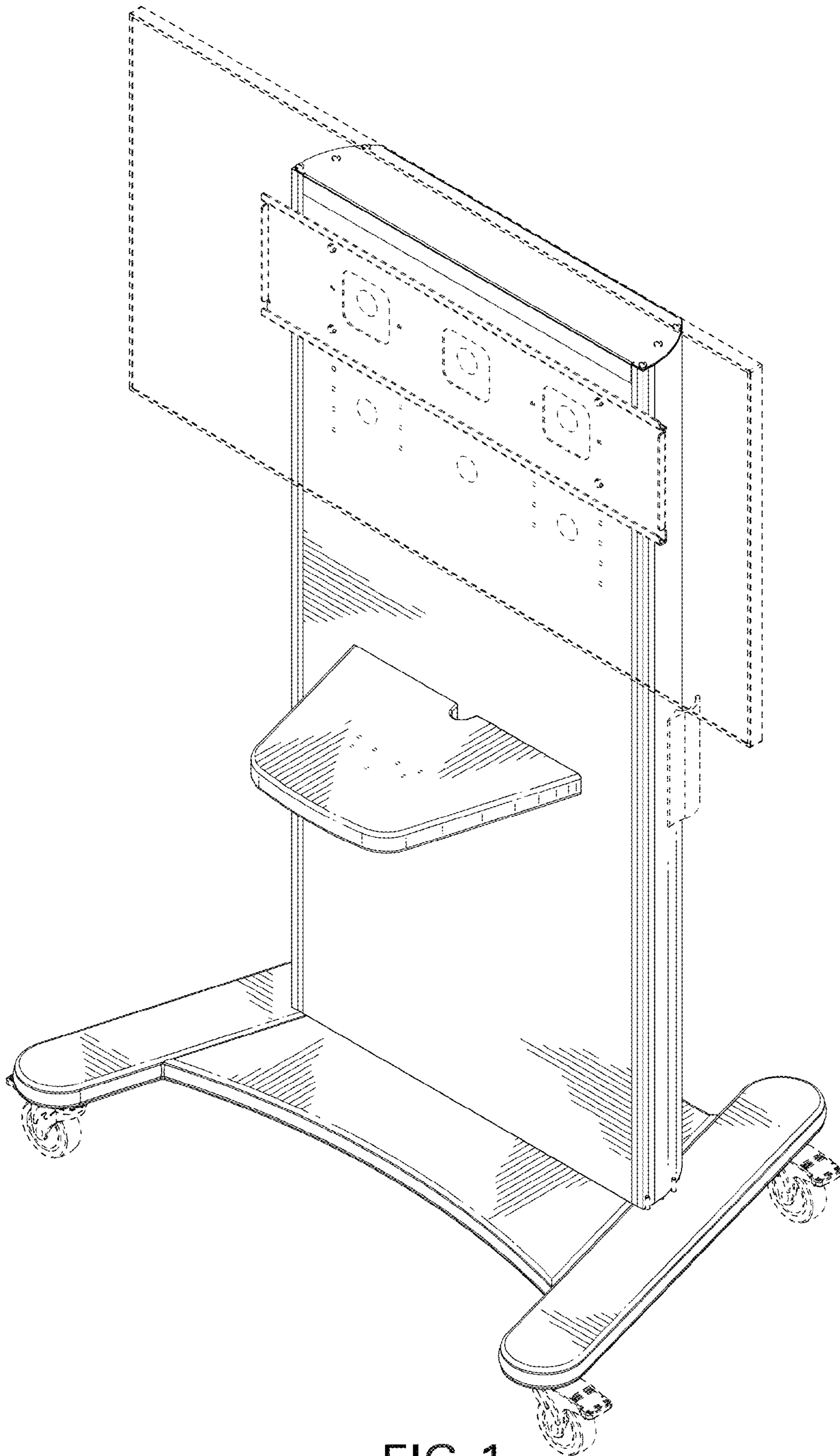


FIG. 1

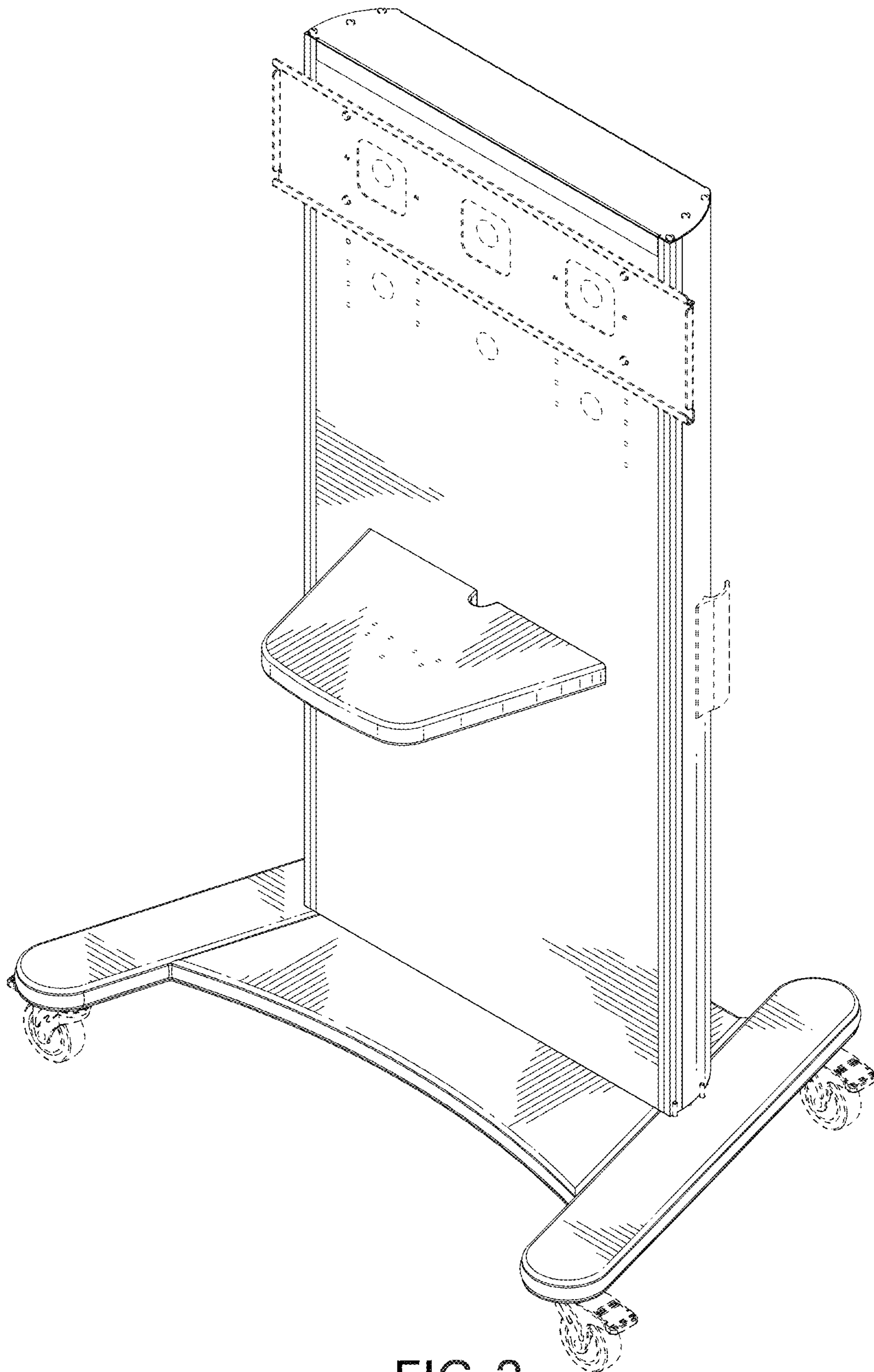


FIG. 2

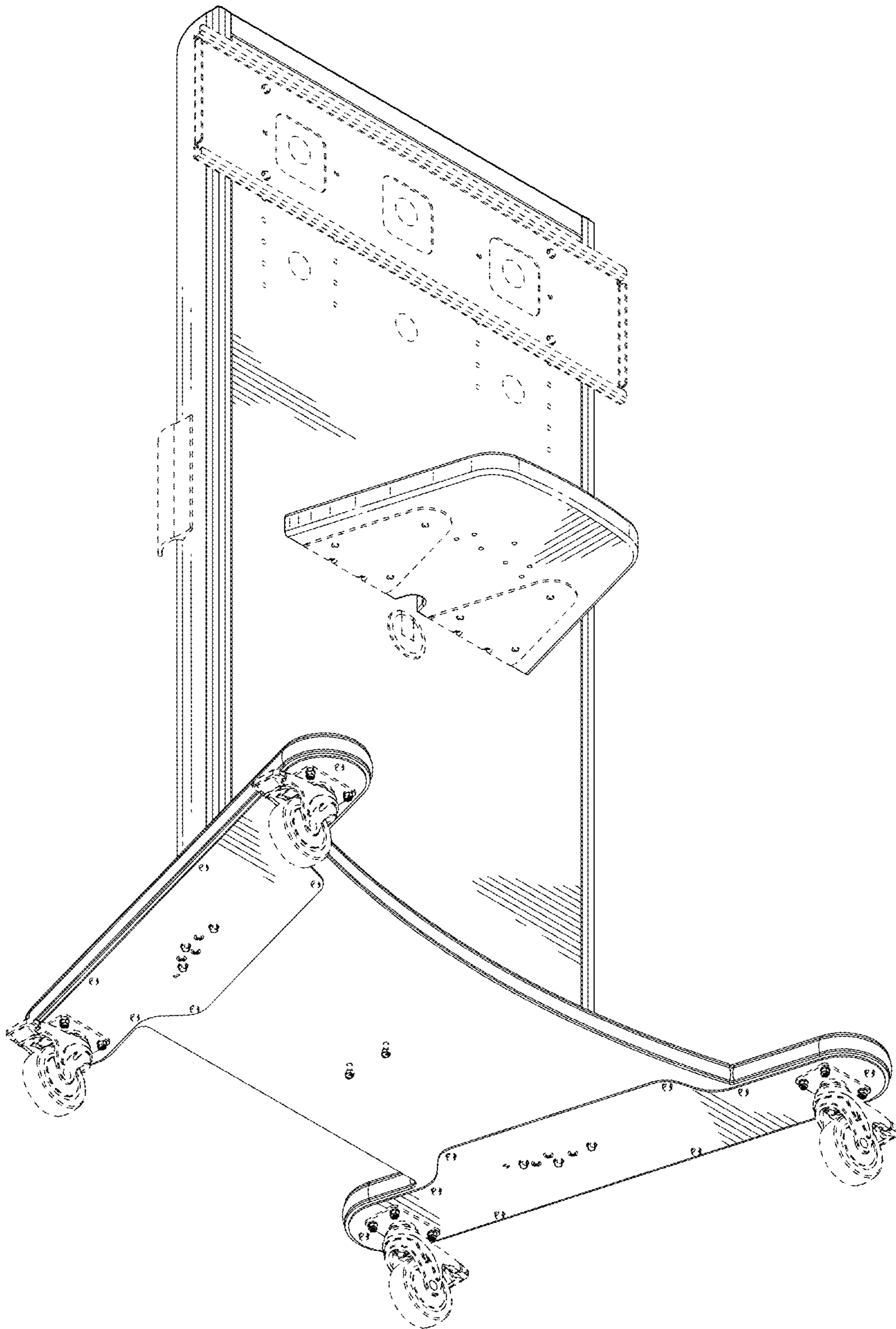


FIG. 3

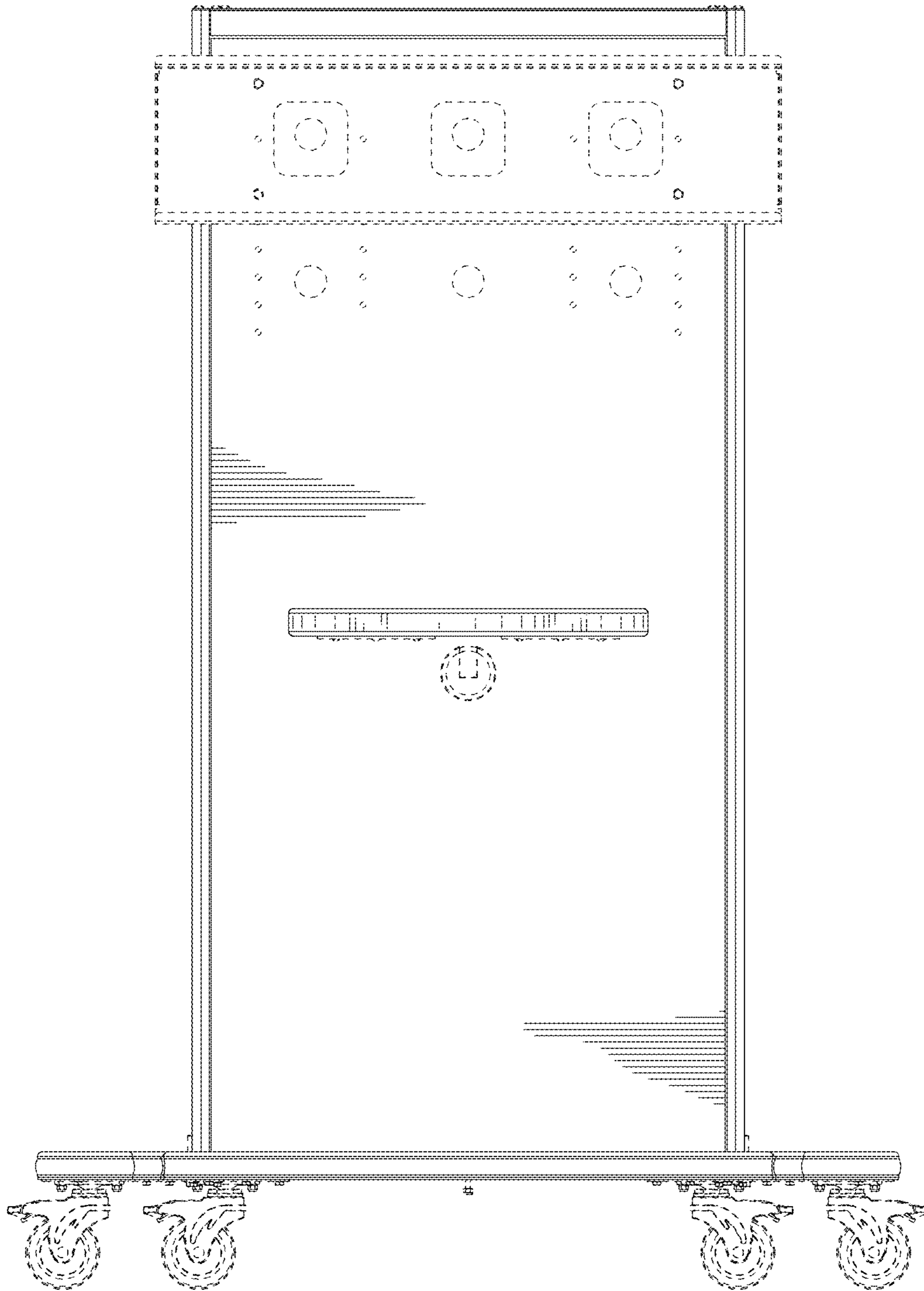


FIG.4

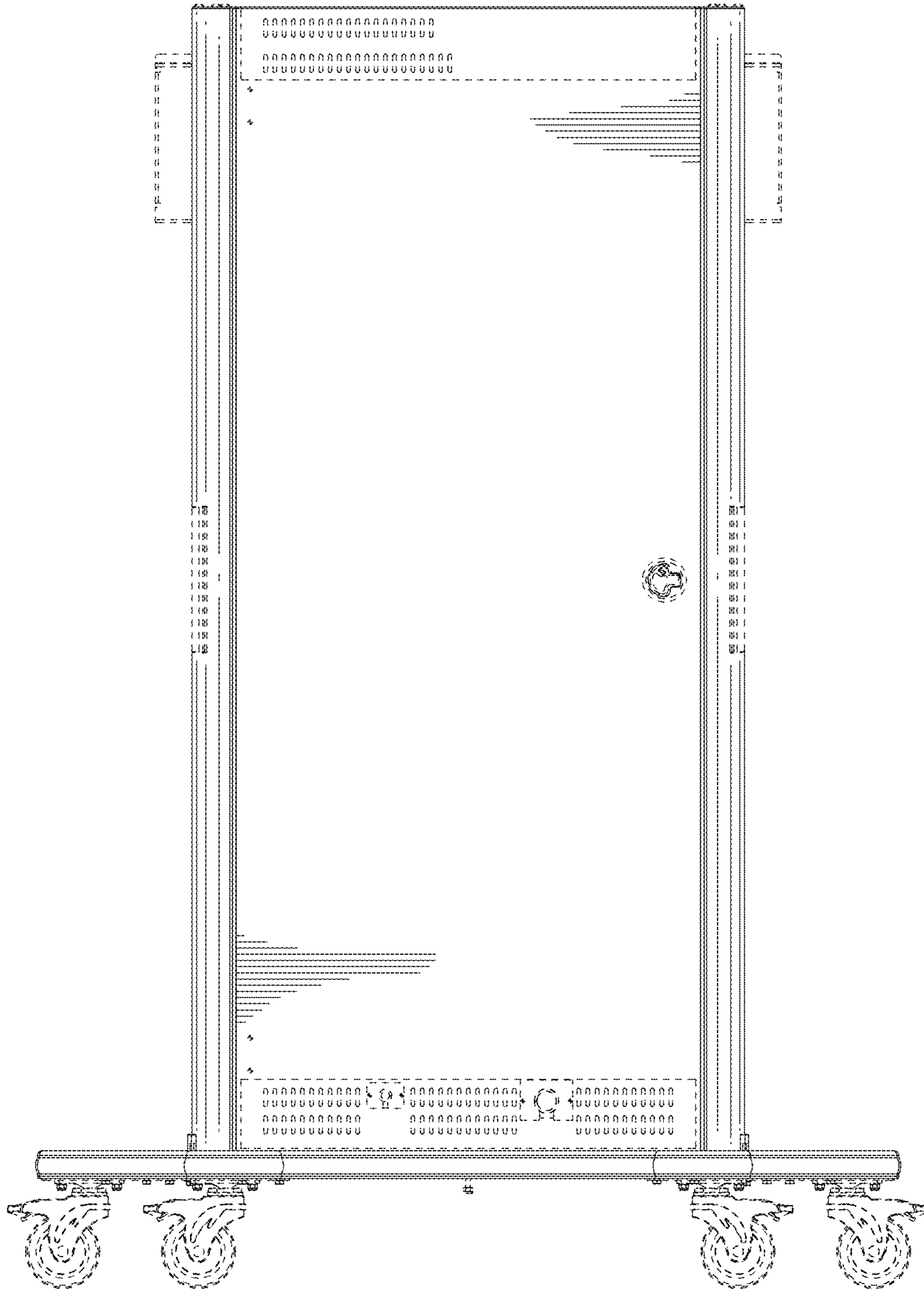


FIG. 5

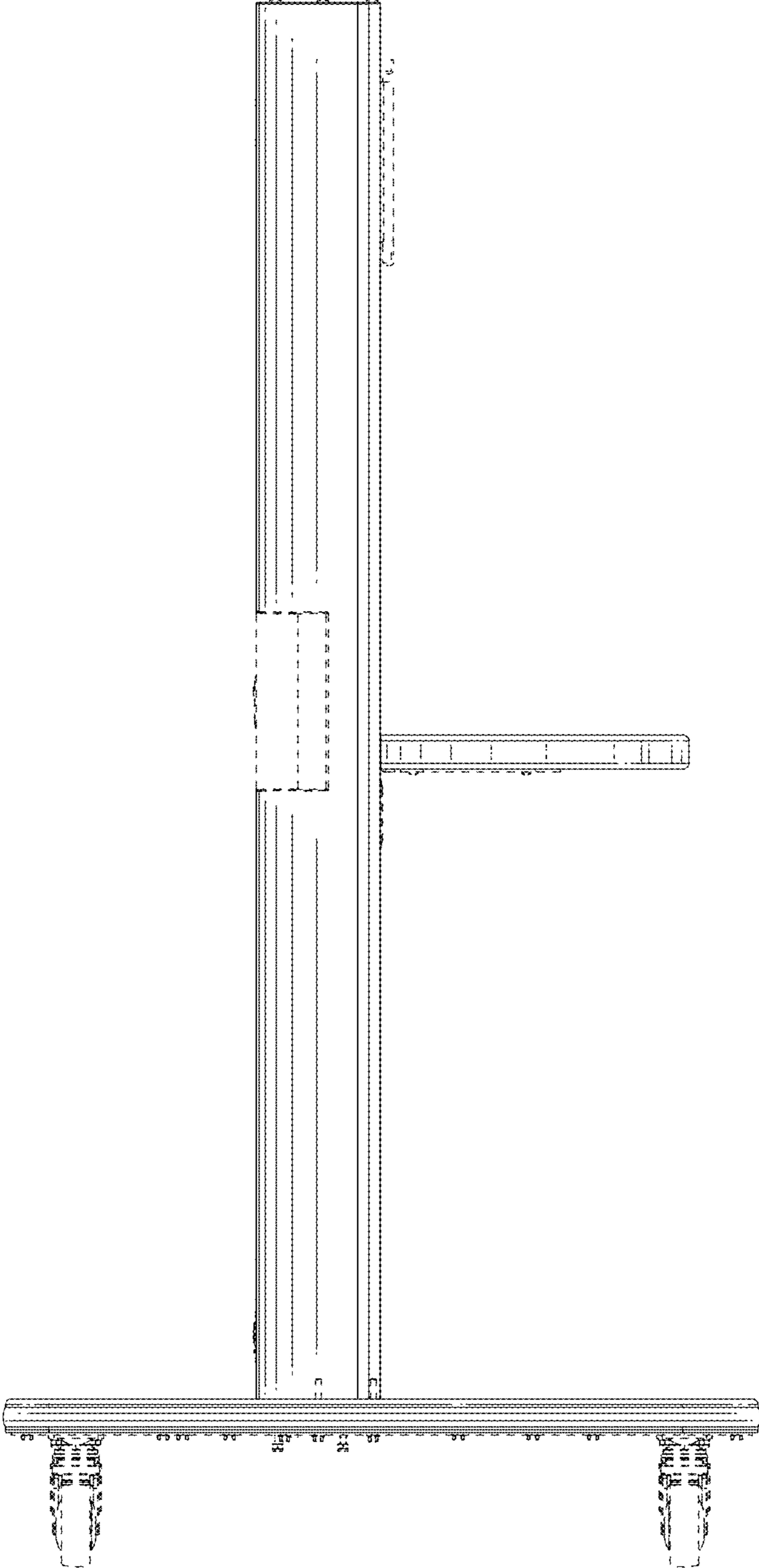


FIG. 6

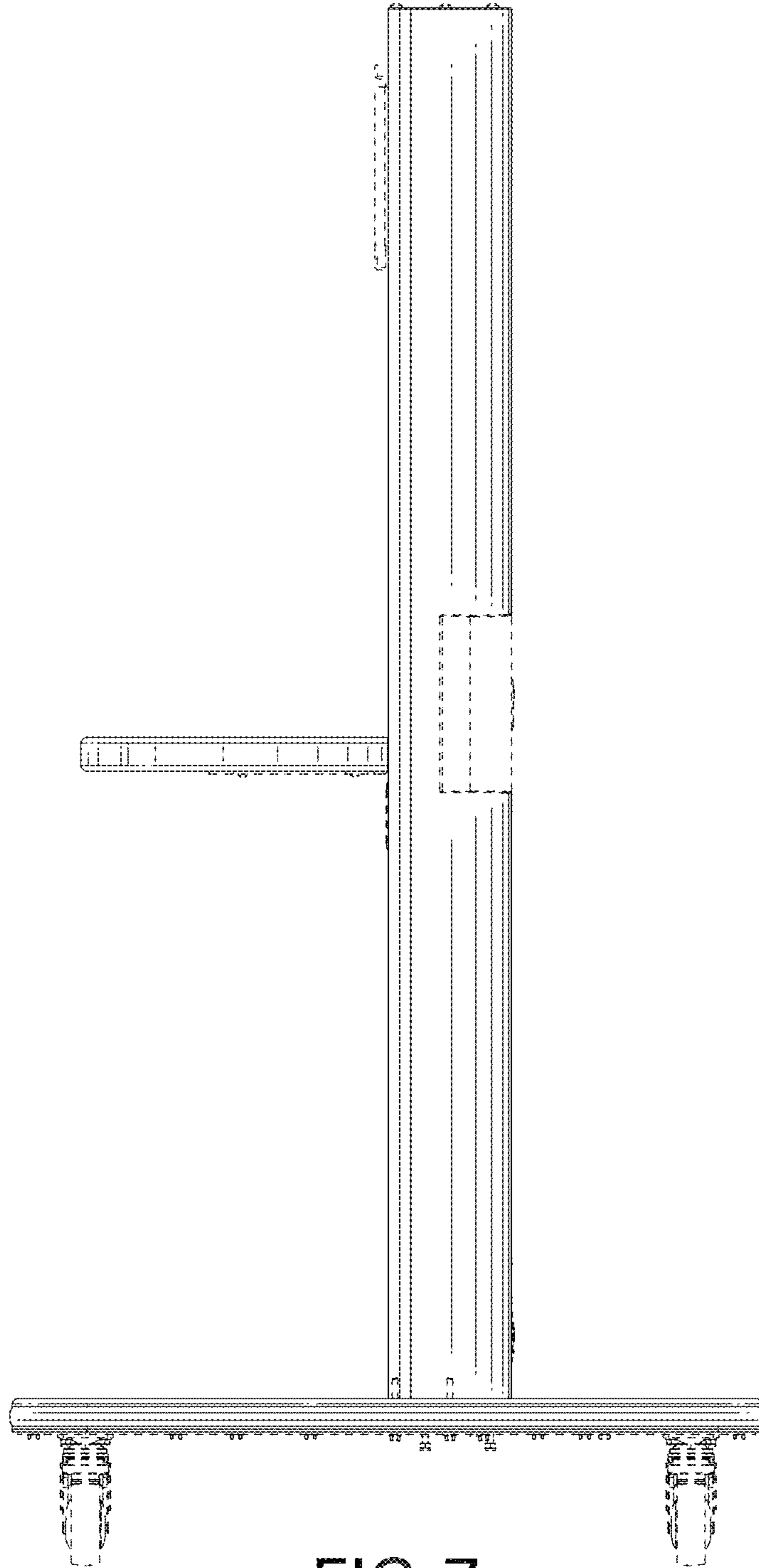


FIG. 7

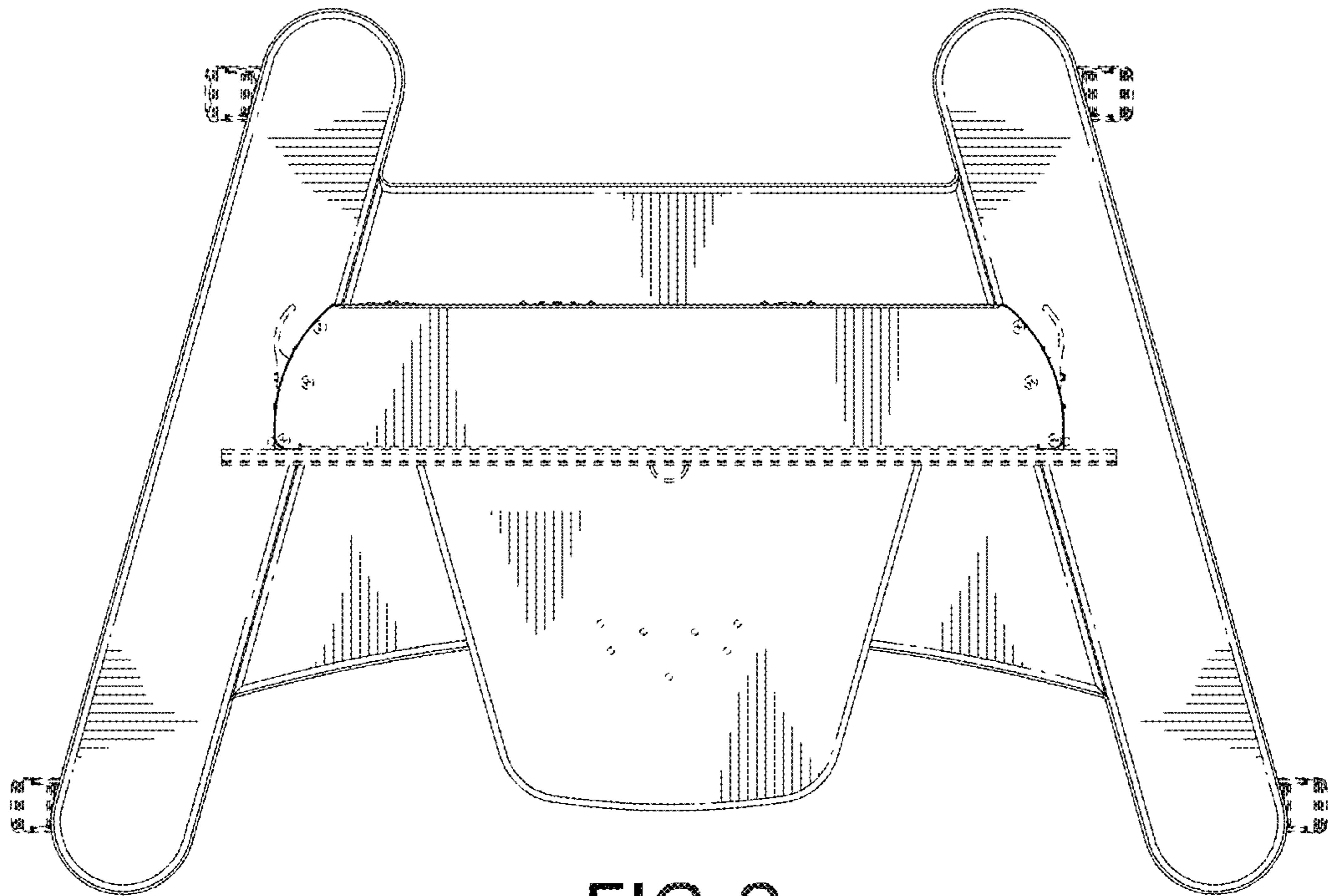


FIG. 8

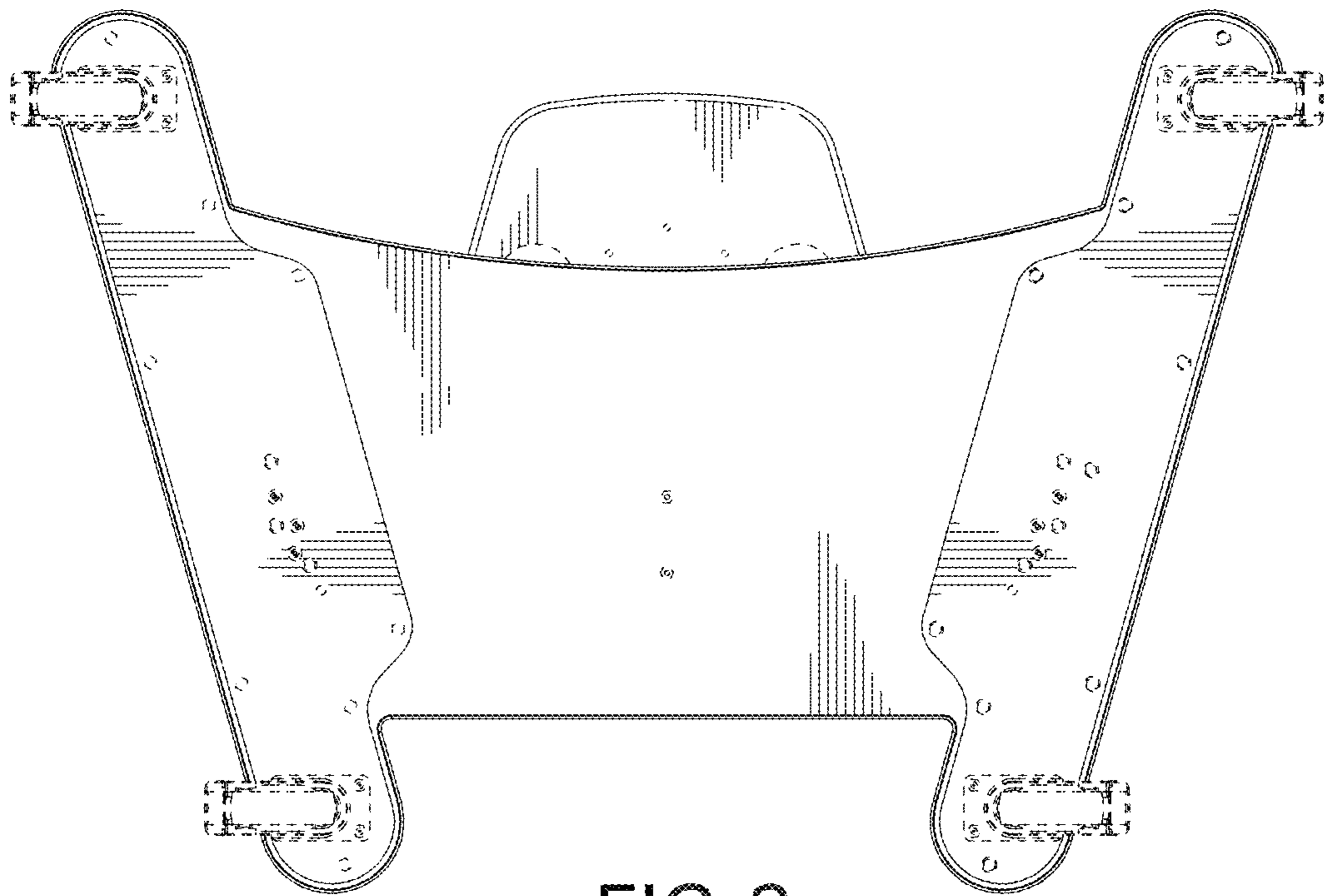


FIG. 9