



US00D981993S

(12) **United States Design Patent**
Zhang

(10) **Patent No.:** **US D981,993 S**
(45) **Date of Patent:** **** Mar. 28, 2023**

(54) **PAIR OF EARPHONES**
(71) Applicant: **Guangzhou Rantion Technology Co., Ltd, Guangzhou (CN)**
(72) Inventor: **Wenji Zhang, Guangdong (CN)**
(**) Term: **15 Years**
(21) Appl. No.: **35/514,421**
(22) Filed: **May 13, 2022**
(80) **Hague Agreement Data**
Int. Filing Date: **May 13, 2022**
Int. Reg. No.: **DM/221014**
Int. Reg. Date: **May 13, 2022**
Int. Reg. Pub. Date: **Jun. 10, 2022**

(51) **LOC (14) Cl.** **14-01**
(52) **U.S. Cl.**
USPC **D14/223**
(58) **Field of Classification Search**
USPC D14/223, 205; D24/174; D13/108;
381/380-381, 322, 328
CPC H04R 1/10; H04R 25/00; H04R 25/02;
H04R 1/1066; H04R 1/1016; H04R
1/1058; H04R 1/1015; H04R 1/1083;
H04R 1/1091; H02J 7/0034
See application file for complete search history.

(56) **References Cited**
U.S. PATENT DOCUMENTS

D487,077 S * 2/2004 Obata D14/223
D554,109 S * 10/2007 Ledbetter D14/223
D557,689 S * 12/2007 Huang D14/223
D662,493 S * 6/2012 Chen D14/223
D679,267 S * 4/2013 Lee D14/223
D685,770 S * 7/2013 Lee D14/223
D701,195 S * 3/2014 Katsumata D14/223
D847,794 S * 5/2019 Guo D14/223
D848,980 S * 5/2019 Kim D14/223

D861,647 S * 10/2019 Chen D14/223
D864,169 S * 10/2019 Min D14/223
D875,713 S * 2/2020 Kim D14/205
D877,722 S * 3/2020 Yang D14/223
D882,553 S * 4/2020 Wu D14/223
D883,260 S * 5/2020 Hu D14/223
D884,682 S * 5/2020 Du D14/223
D887,396 S * 6/2020 Wang D14/223
D888,690 S * 6/2020 Yan D14/223
D890,138 S * 7/2020 Peng D14/223
D890,724 S * 7/2020 Li D14/223
D893,462 S * 8/2020 Liu D14/223
D894,875 S * 9/2020 Zhao D14/223
D895,582 S * 9/2020 Wu D14/223
D896,206 S * 9/2020 Xu D14/223
D896,207 S * 9/2020 He D14/223
D903,639 S * 12/2020 Yang D14/223

(Continued)

FOREIGN PATENT DOCUMENTS

CN 307689704 * 11/2022
EM 008748297-0001 * 11/2021

(Continued)

Primary Examiner — Paula Allen Greene

(57) **CLAIM**

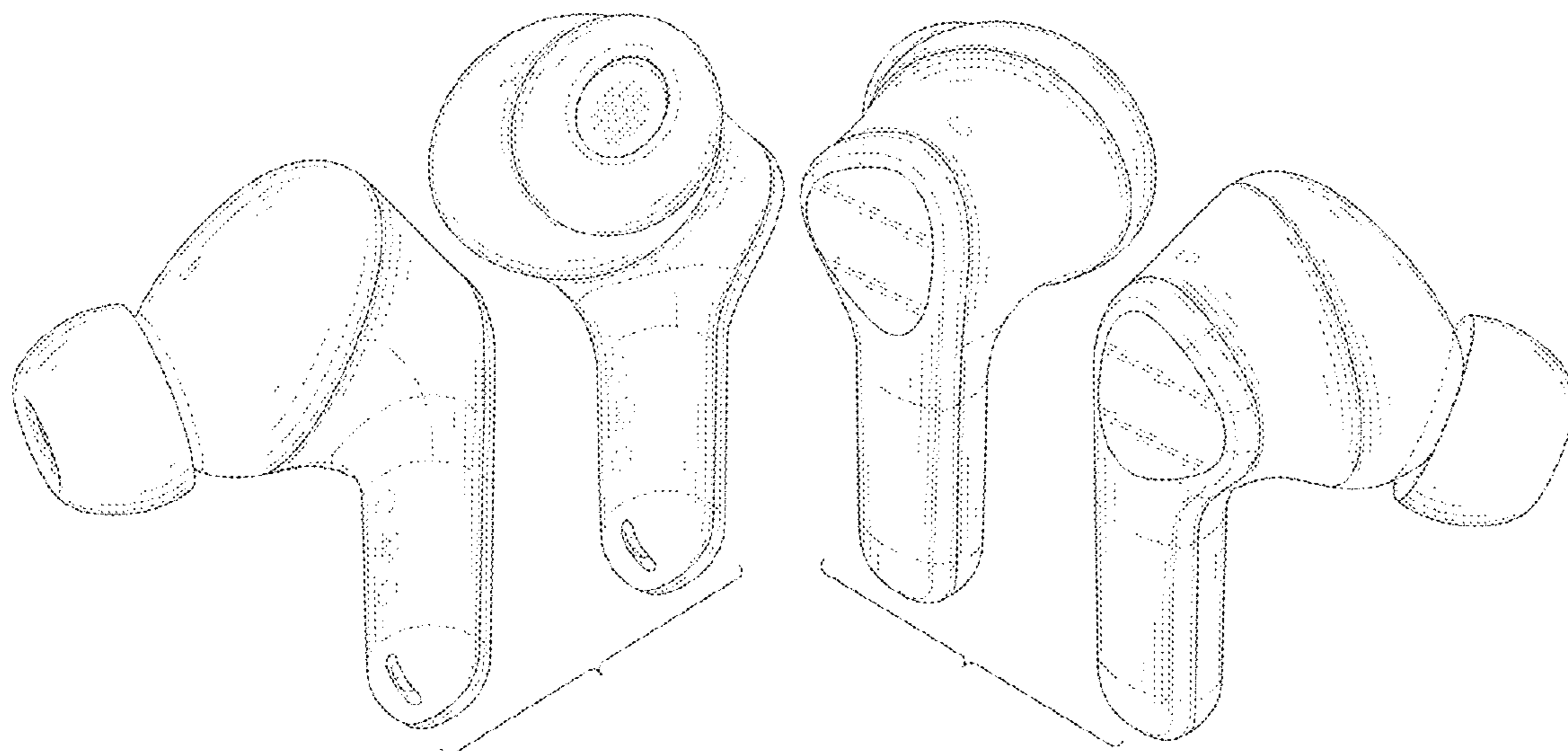
The ornamental design for a pair of earphones, as shown and described.

DESCRIPTION

- 1. Pair of earphones
- 1.1 Front perspective
- 1.2 Back perspective
- 1.3 : Front
- 1.4 : Back
- 1.5 : Left
- 1.6 : Right
- 1.7 : Top
- 1.8 : Bottom

The parts shown by means of broken lines in the reproductions are not part of the claimed design.

1 Claim, 8 Drawing Sheets



(56)

References Cited

U.S. PATENT DOCUMENTS

D905,018 S * 12/2020 Zhu D14/223
 D906,297 S * 12/2020 Akana D14/223
 D907,008 S * 1/2021 Yao D14/223
 D907,010 S * 1/2021 Akana D14/223
 D908,114 S * 1/2021 Jung D14/223
 D910,600 S * 2/2021 Zhang D14/223
 D914,646 S * 3/2021 Yang D14/223
 D914,648 S * 3/2021 Zhou D14/223
 D914,652 S * 3/2021 Chen D14/223
 D916,058 S * 4/2021 Wu D14/223
 D916,684 S * 4/2021 Fang D14/223
 D920,293 S * 5/2021 Chen D14/223
 D924,209 S * 7/2021 Wu D14/223
 D924,852 S * 7/2021 Liu D14/223
 D925,498 S * 7/2021 Lin D14/223
 D927,465 S * 8/2021 Wang D14/223
 D943,555 S * 2/2022 Deng D14/223
 D944,197 S * 2/2022 Li D14/223

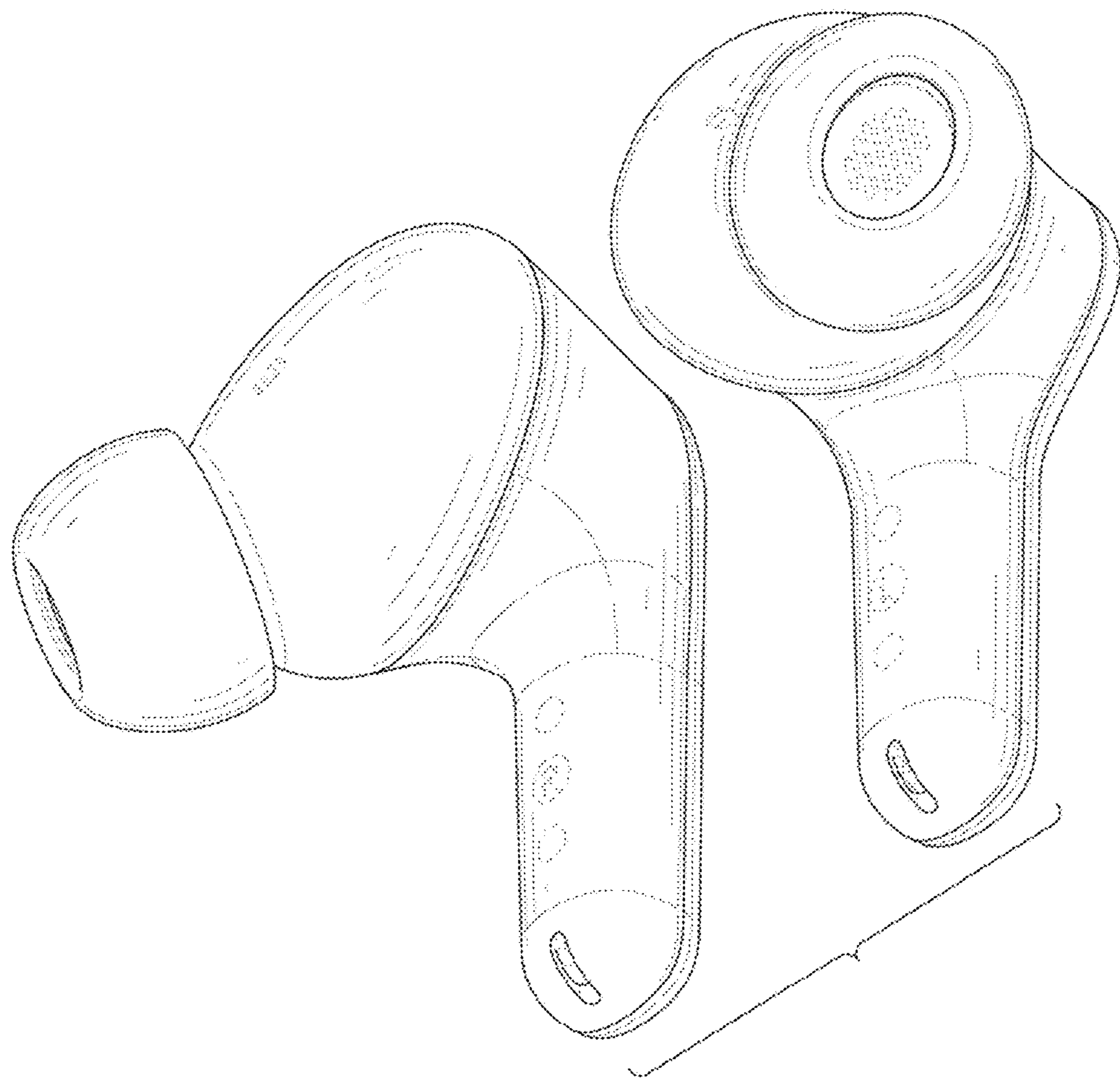
D947,159 S * 3/2022 Liang D14/223
 D951,917 S * 5/2022 Chen D14/223
 D952,610 S * 5/2022 Deng D3/274
 D957,366 S * 7/2022 Hachiri D14/223
 D967,066 S * 10/2022 Cai D14/223
 D967,067 S * 10/2022 Cai D14/223
 D968,371 S * 11/2022 Ao D14/223
 D971,887 S * 12/2022 Li D14/223
 2012/0003937 A1 * 1/2012 Zhong H04M 1/6066
 455/41.3
 2020/0068283 A1 * 2/2020 Chou H04R 1/1025
 2020/0252715 A1 * 8/2020 Zhou H04R 1/1016

FOREIGN PATENT DOCUMENTS

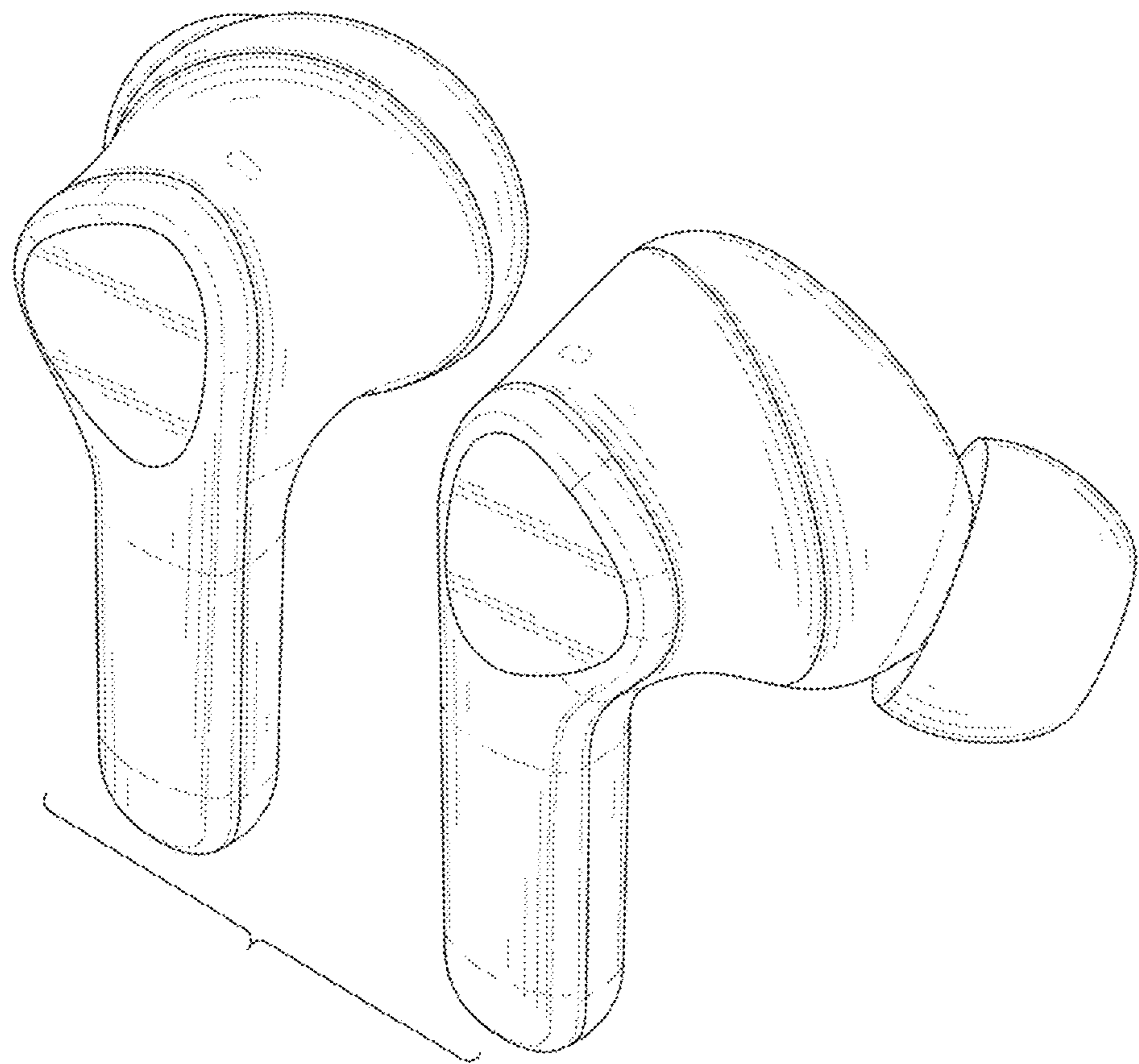
GB 6169120 * 10/2021
 JP D1731447 * 11/2022
 JP D1732767 * 12/2022
 WO D221014-001 * 5/2022
 WO D224760-001 * 11/2022

* cited by examiner

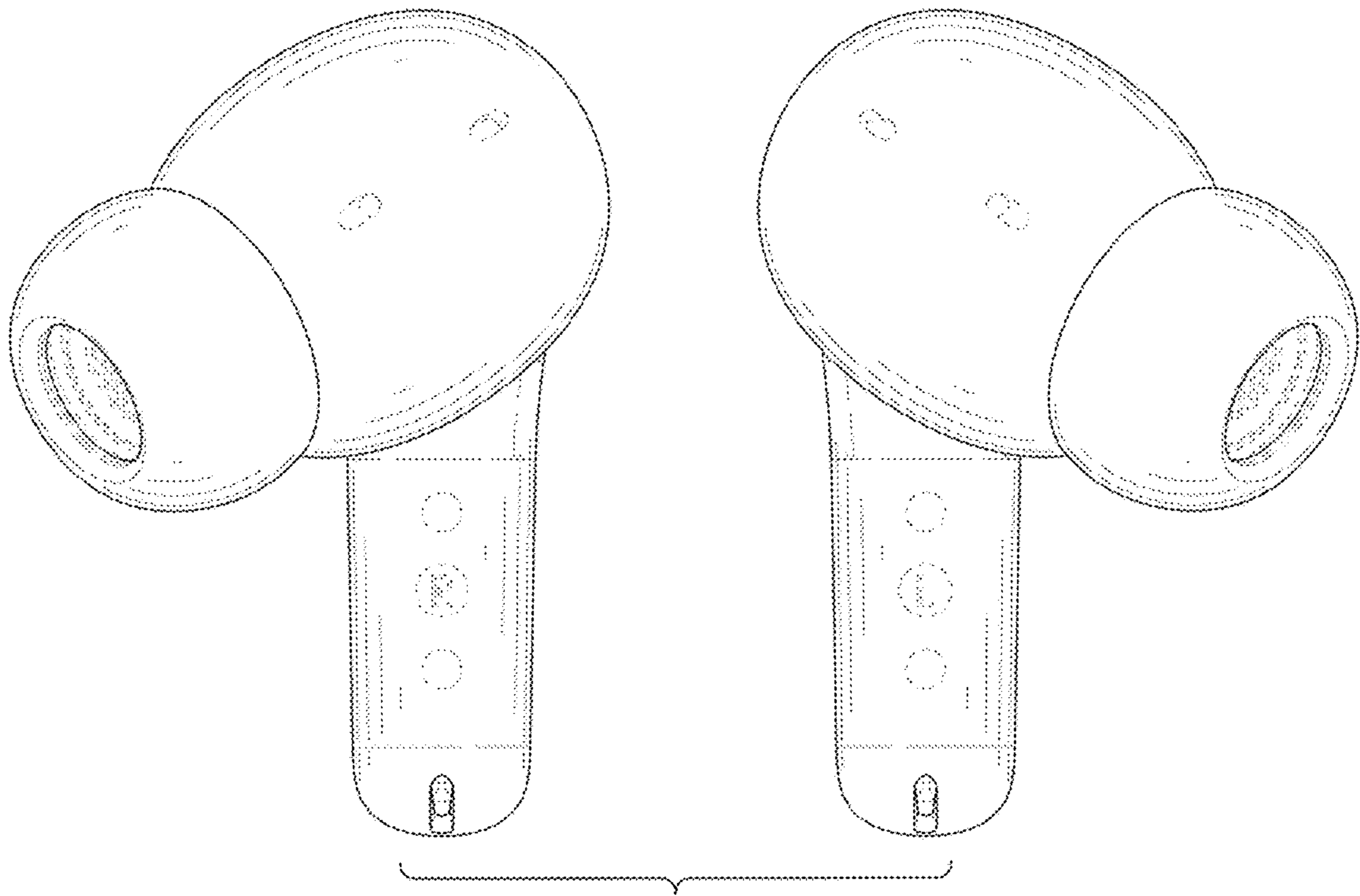
1.1



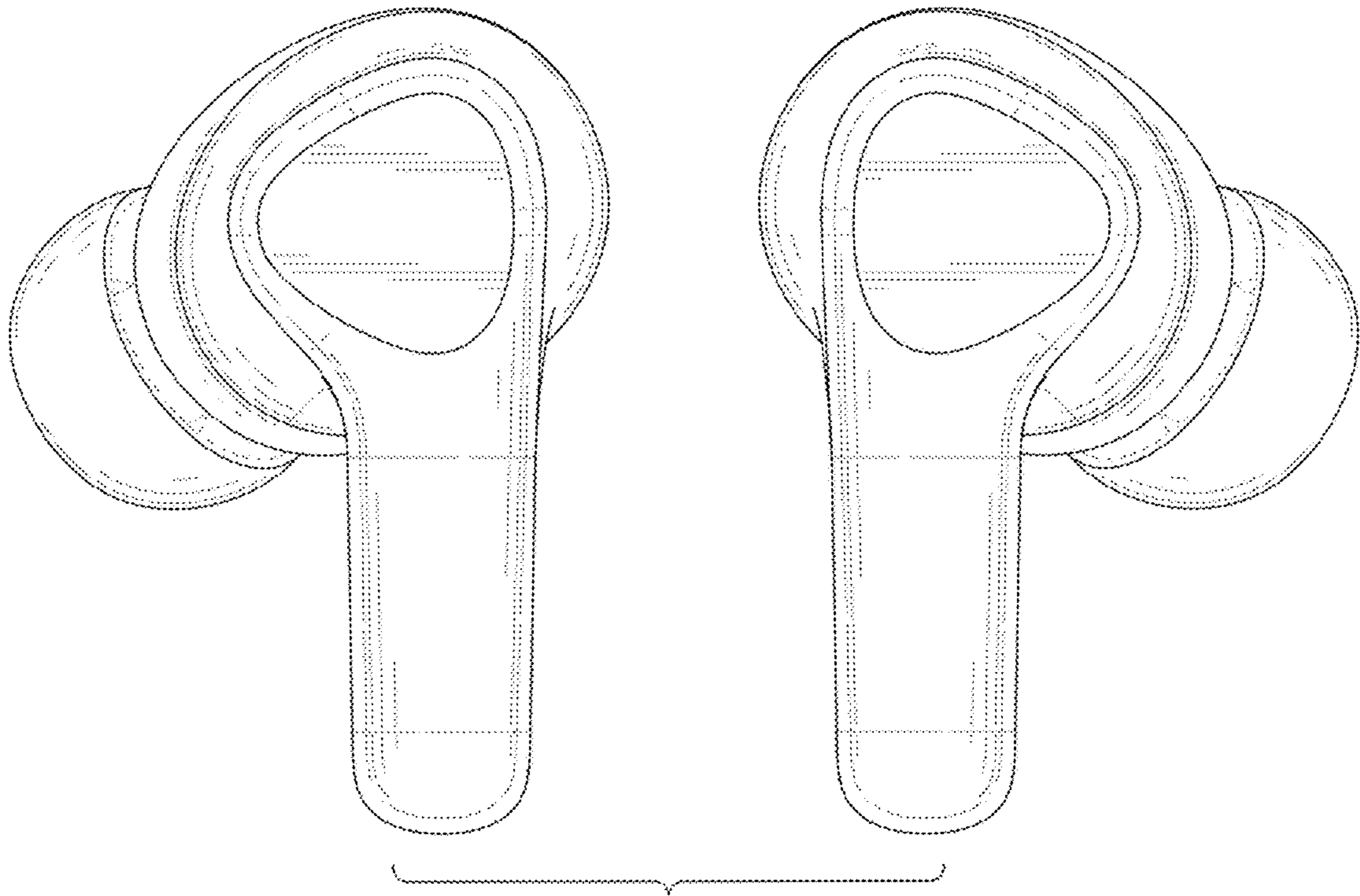
1.2



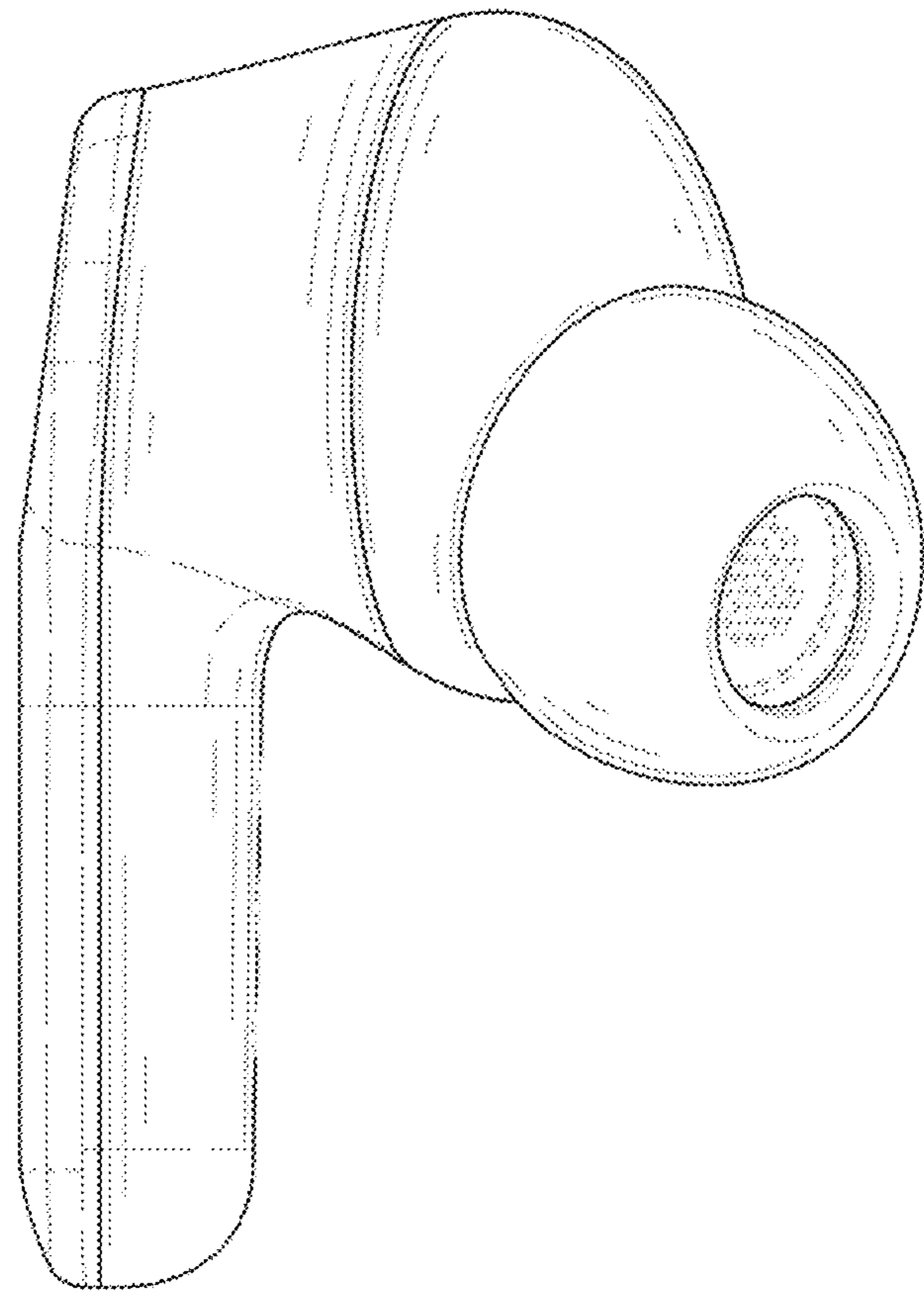
1.3



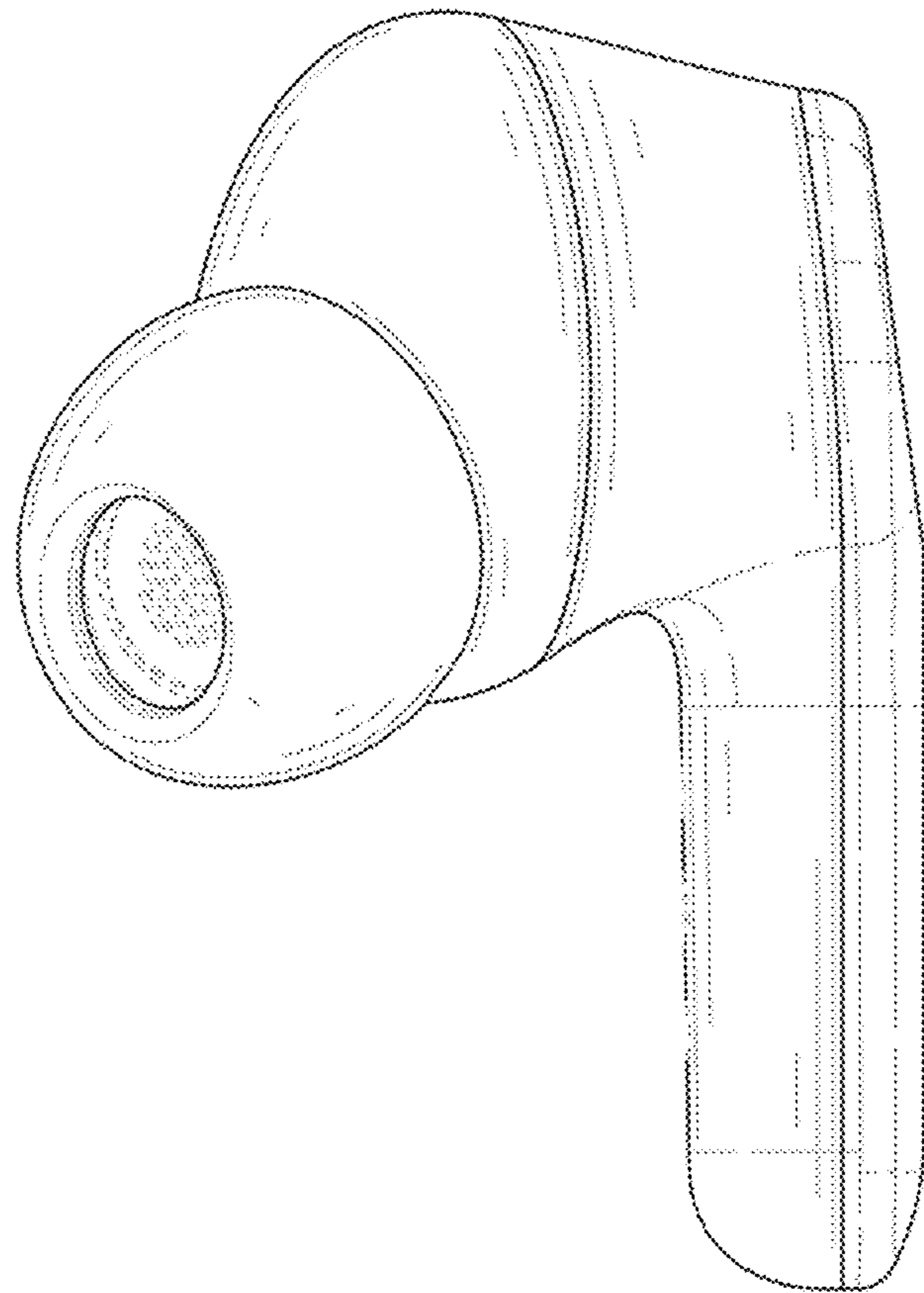
1.4



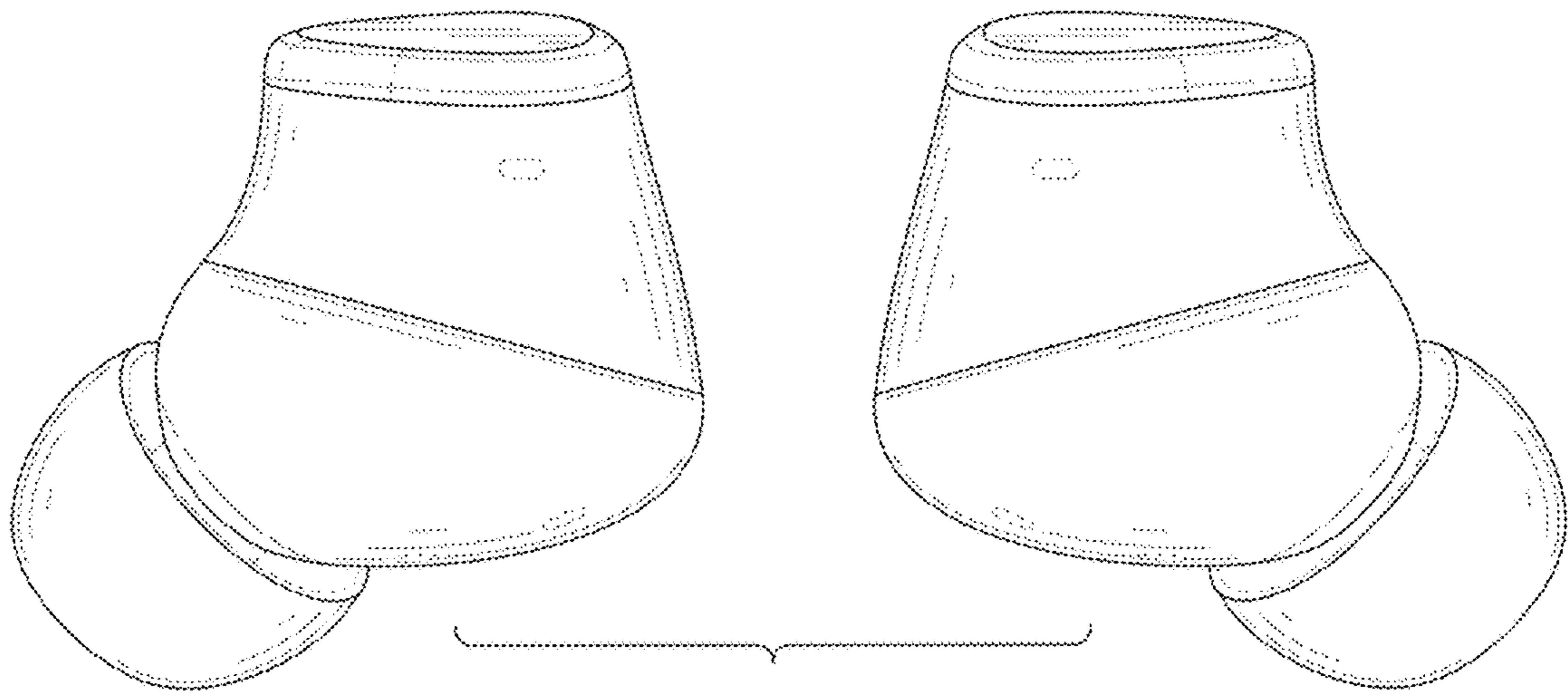
1.5



1.6



1.7



1.8

