



US00D981992S

(12) **United States Design Patent**
Deng

(10) **Patent No.:** **US D981,992 S**
(45) **Date of Patent:** **** Mar. 28, 2023**

(54) **SET OF WIRELESS EARPHONES AND CHARGING CASE**

(71) Applicant: **GUANGDONG XIZHONGXI TECHNOLOGY CO., LTD.**,
Dongguan (CN)

(72) Inventor: **Xiuhong Deng**, Shaoyang (CN)

(73) Assignee: **GUANGDONG XIZHONGXI TECHNOLOGY CO., LTD.**,
Dongguan (CN)

(**) Term: **15 Years**

(21) Appl. No.: **29/797,974**

(22) Filed: **Jul. 5, 2021**

(51) **LOC (14) Cl.** **14-01**

(52) **U.S. Cl.**
USPC **D14/223**

(58) **Field of Classification Search**

USPC D14/223, 224; D24/174; 128/864-866;
D13/108; D3/201, 294, 274; D9/420,
D9/424; D28/76; 220/4.22, 4.23;
381/322, 328
CPC H04R 1/10; H04R 25/00; H04R 25/02;
H04R 1/1066; H04R 1/1016; H04R
5/033;

(Continued)

(56) **References Cited**

U.S. PATENT DOCUMENTS

2,915,214 A * 12/1959 Frankel B65D 75/22
220/4.23
3,043,354 A * 7/1962 Fitzgerald B65D 25/04
220/4.23

(Continued)

FOREIGN PATENT DOCUMENTS

EM 008596290-0001 * 6/2021
GB 9008188692-0001 * 9/2020

(Continued)

Primary Examiner — Paula Allen Greene

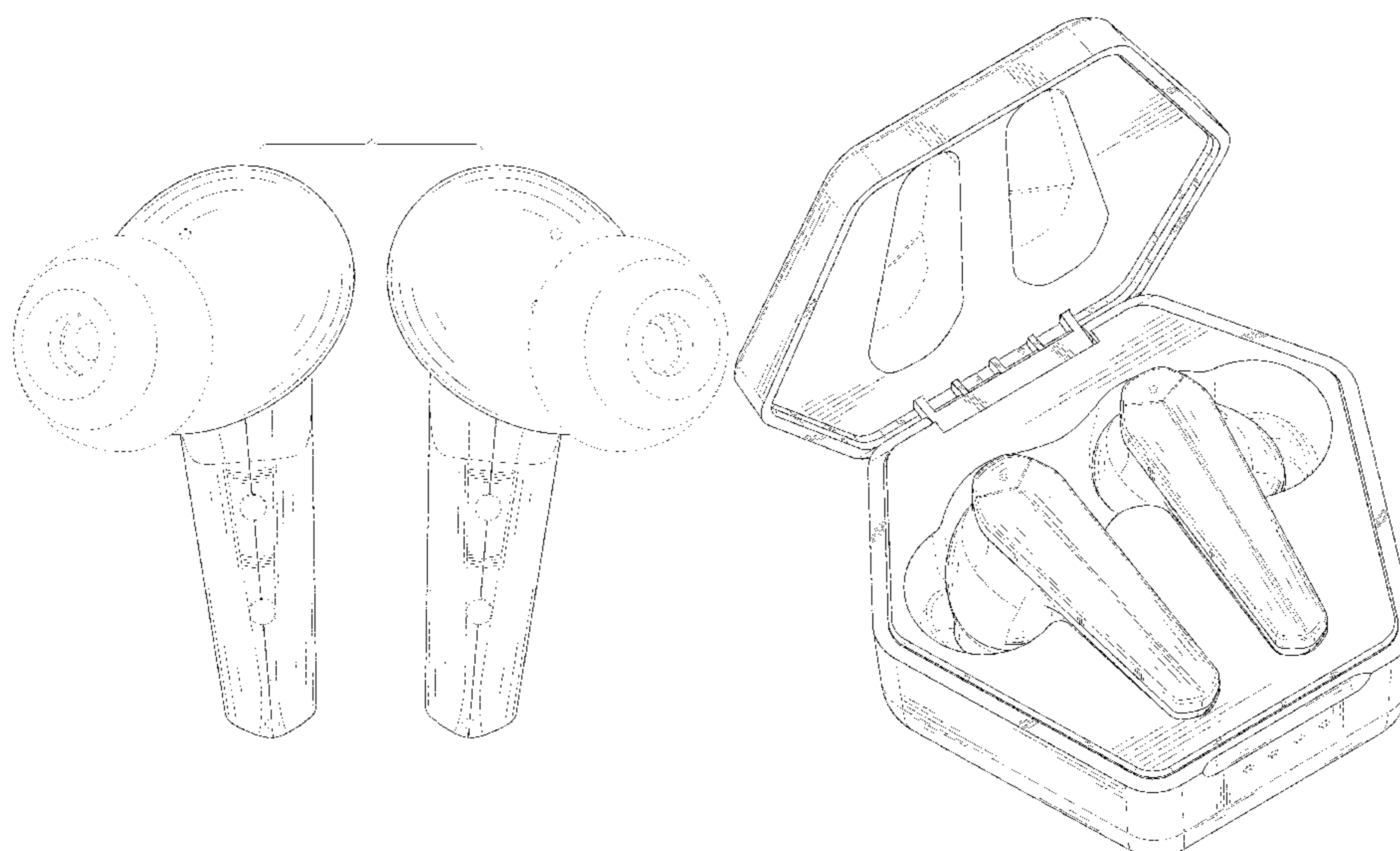
(57) **CLAIM**

The ornamental design for a set of wireless earphones and charging case, as shown and described.

DESCRIPTION

FIG. 1 is a perspective view of a charging case of the set of wireless earphones and charging case, shown separately for ease of illustration and in an open configuration; FIG. 2 is another perspective view thereof; FIG. 3 is a front elevational view thereof; FIG. 4 is a rear elevational view thereof; FIG. 5 is a left side elevational view thereof; FIG. 6 is a right side elevational view thereof; FIG. 7 is a top plan view thereof; FIG. 8 is a bottom plan view thereof; FIG. 9 is a perspective view of wireless earphones of the set of wireless earphones and charging case, shown separately for ease of illustration; FIG. 10 is another perspective view thereof; FIG. 11 is a front elevational view thereof; FIG. 12 is a rear elevational view thereof; FIG. 13 is a left side elevational view thereof; FIG. 14 is a right side elevational view thereof; FIG. 15 is a top plan view thereof; FIG. 16 is a bottom plan view thereof; FIG. 17 is a perspective view of the set of wireless earphones and charging case, shown in use with the wireless earphones received in the charging case; and, FIG. 18 is a perspective view of the charging case of the set of wireless earphones and charging case, shown separately for ease of illustration and in a closed configuration. The broken lines in the drawings depict portions of the set of wireless earphones and charging case that form no part of the claimed design.

1 Claim, 18 Drawing Sheets



(58) **Field of Classification Search**
 CPC H04R 5/0335; H04R 1/1025; B65D 5/00;
 B65D 43/02; B65D 25/10
 See application file for complete search history.

(56) **References Cited**

U.S. PATENT DOCUMENTS

3,342,190 A * 9/1967 Hultgren A45D 40/22
 220/840
 D416,103 S * 11/1999 Hashmi D26/120
 D471,898 S * 3/2003 Bae D14/223
 6,572,909 B1 * 6/2003 Bagwell B65D 43/162
 220/837
 6,760,459 B2 * 7/2004 Bae H04R 1/1025
 379/430
 D510,337 S * 10/2005 Tages D14/223
 D517,054 S * 3/2006 Yang D14/223
 D604,272 S * 11/2009 Kitayama D14/223
 D643,417 S * 8/2011 Lee D14/223
 D647,512 S * 10/2011 McConnell D14/223
 D658,157 S * 4/2012 McManigal D14/223
 D685,350 S * 7/2013 Mogili D14/223
 8,712,087 B2 * 4/2014 Ozawa H04R 1/345
 381/328
 D716,769 S * 11/2014 Lee D14/223
 D801,314 S * 10/2017 Akana D14/223
 D803,184 S * 11/2017 Loh Jun Kern D14/223
 D806,648 S * 1/2018 Beedham D13/107
 D811,743 S * 3/2018 Barenbrug D3/289
 D811,745 S * 3/2018 Davi D3/218
 D820,809 S * 6/2018 Akana D14/219
 D830,336 S * 10/2018 Cai D14/205
 D832,823 S * 11/2018 Xiao D14/223
 D832,824 S * 11/2018 Kim D14/223
 D839,583 S * 2/2019 Cao D3/201
 D844,969 S * 4/2019 Xiao D3/201
 D845,932 S * 4/2019 Lu D14/223
 D846,264 S * 4/2019 Wu D3/201
 D847,125 S * 4/2019 Akana D14/206
 D847,794 S * 5/2019 Guo D14/223
 D848,983 S * 5/2019 Kim D14/223
 D852,784 S * 7/2019 Cramer H04R 1/105
 D14/223
 D861,647 S * 10/2019 Chen D14/223
 D863,262 S * 10/2019 Roberts D14/223
 D864,110 S * 10/2019 Yoshimura D3/294
 D864,165 S * 10/2019 Roberts D14/223
 D864,169 S * 10/2019 Min D14/223
 D865,720 S * 11/2019 Deng D14/223
 D869,445 S * 12/2019 Hu D14/223
 D870,451 S * 12/2019 Birger D14/223
 D872,711 S * 1/2020 Hu D14/223

D873,217 S * 1/2020 Zhang D3/294
 D882,259 S * 4/2020 Liu D3/269
 D882,262 S * 4/2020 Zhang D3/294
 D883,260 S * 5/2020 Hu D14/223
 D887,396 S * 6/2020 Wang D14/223
 10,701,472 B1 * 6/2020 Xu H02J 7/0044
 D889,436 S * 7/2020 Zhang D14/206
 D890,138 S * 7/2020 Peng D14/223
 D890,725 S * 7/2020 Liu D14/223
 D893,462 S * 8/2020 Liu D14/223
 D895,579 S * 9/2020 Yang D14/223
 D895,582 S * 9/2020 Wu D14/223
 D896,206 S * 9/2020 Xu D14/223
 D896,207 S * 9/2020 He D14/223
 D897,998 S * 10/2020 Ma D14/223
 D903,640 S * 12/2020 Zhang D14/223
 D904,764 S * 12/2020 Koneru D3/294
 D905,018 S * 12/2020 Zhu D14/223
 D908,084 S * 1/2021 He D3/294
 D910,600 S * 2/2021 Zhang D14/223
 D910,601 S * 2/2021 Hu D14/223
 D914,652 S * 3/2021 Chen D14/223
 D916,684 S * 4/2021 Fang D14/223
 D918,182 S * 5/2021 Chen D14/223
 D921,615 S * 6/2021 Wu D14/223
 D924,209 S * 7/2021 Wu D14/223
 D925,498 S * 7/2021 Lin D14/223
 D934,839 S * 11/2021 Zhong D14/223
 D940,690 S * 1/2022 Zhang D14/223
 D941,579 S * 1/2022 Goldstein D3/274
 D952,610 S * 5/2022 Deng D3/274
 D952,852 S * 5/2022 Deininger D24/155
 D957,366 S * 7/2022 Hachiri D14/223
 D962,644 S * 9/2022 Ren D3/273
 D962,898 S * 9/2022 Deng D14/223
 D968,370 S * 11/2022 Rong D14/223
 2003/0201753 A1 * 10/2003 Kinoshita H02J 7/0044
 320/114
 2003/0230514 A1 * 12/2003 Baker B65D 51/245
 206/39
 2006/0283869 A1 * 12/2006 Soncini B65D 43/168
 206/6
 2016/0014498 A1 * 1/2016 Paschel H04R 1/1016
 381/380
 2017/0164087 A1 * 6/2017 Kurtz H04R 1/1016
 2020/0068283 A1 * 2/2020 Chou H04R 1/1025
 2020/0077174 A1 * 3/2020 Solis H04R 9/063
 2020/0252715 A1 * 8/2020 Zhou H04R 1/1016

FOREIGN PATENT DOCUMENTS

GB 6132872 * 4/2021
 GB 6240306 * 10/2022

* cited by examiner

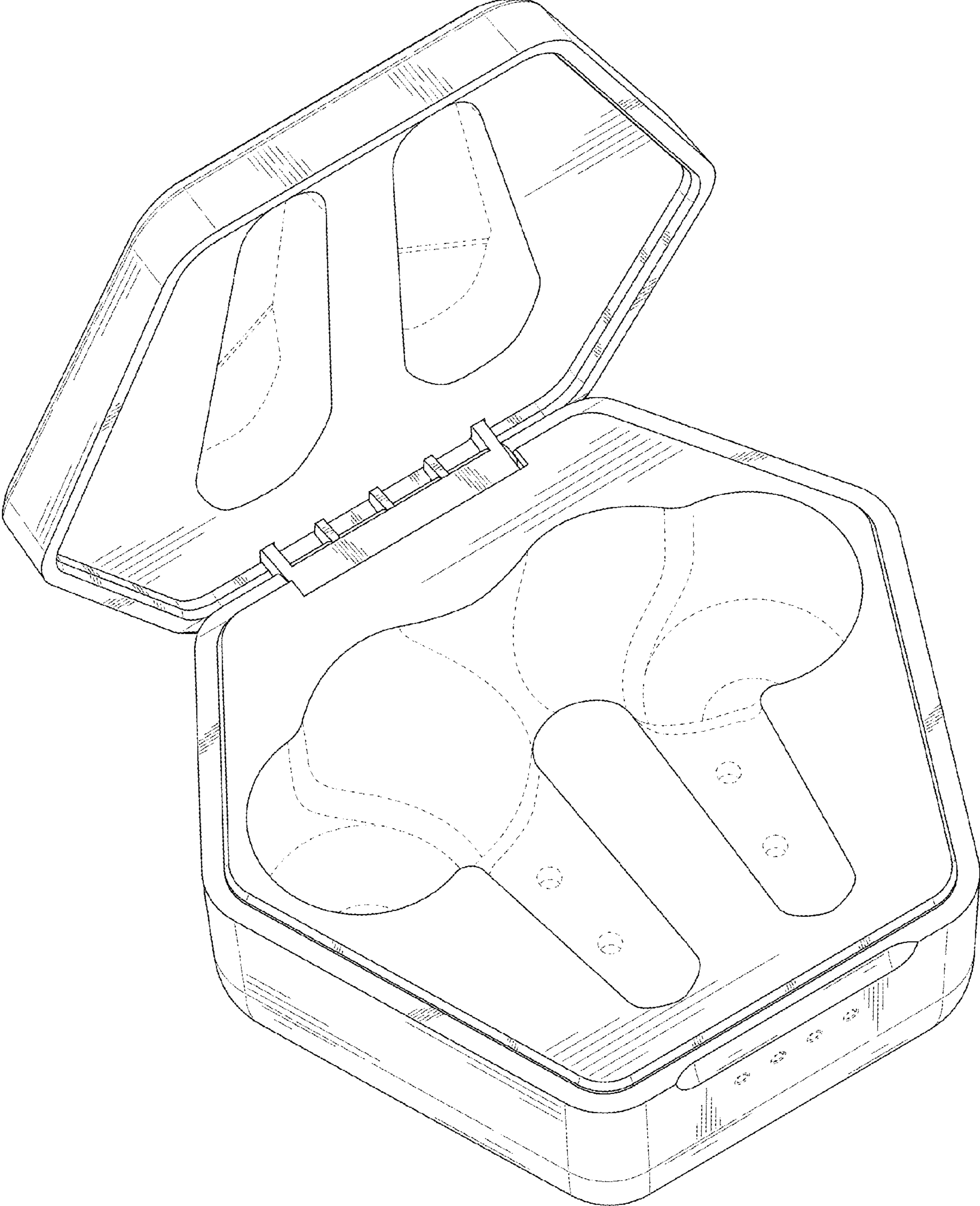


FIG. 1

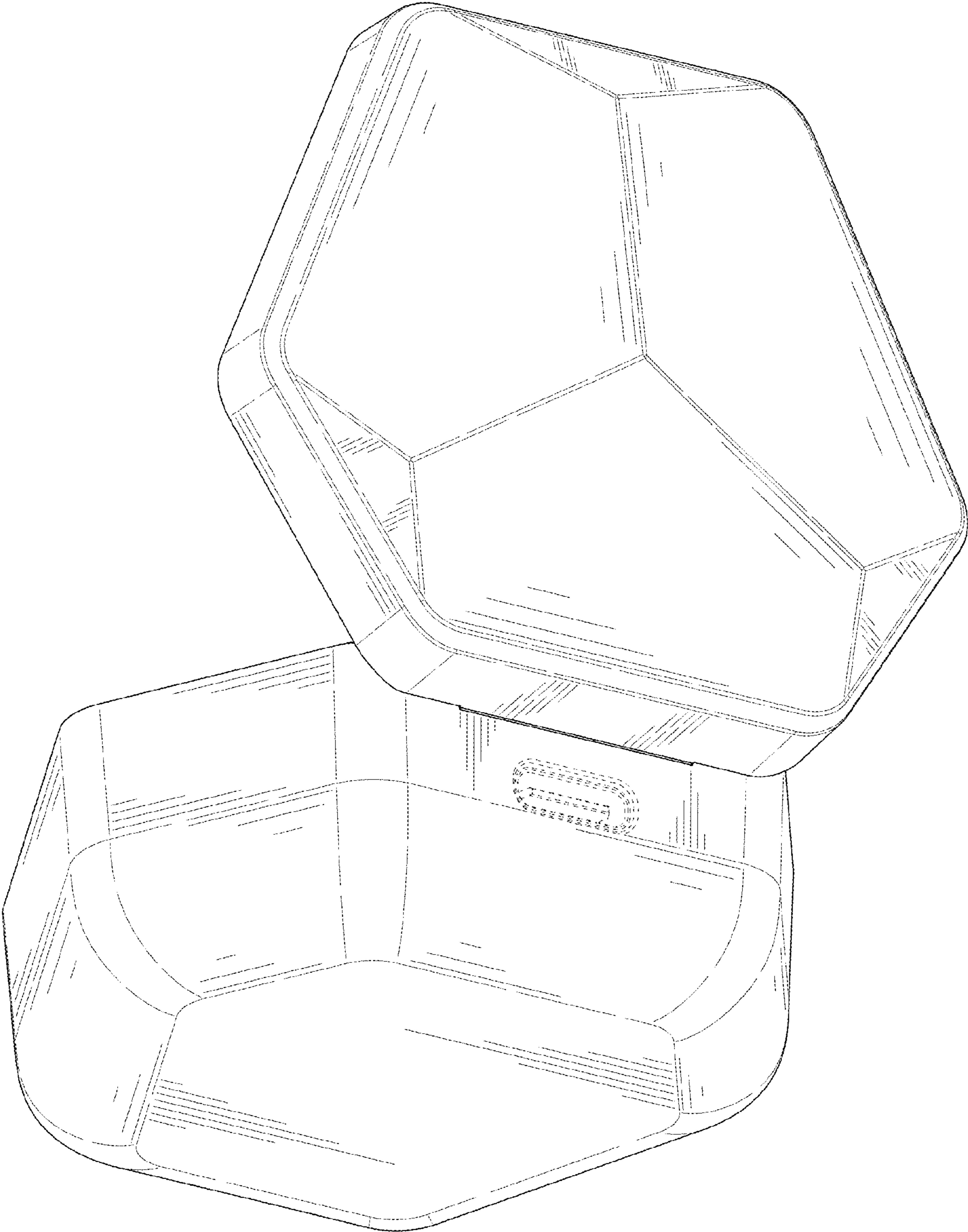


FIG. 2

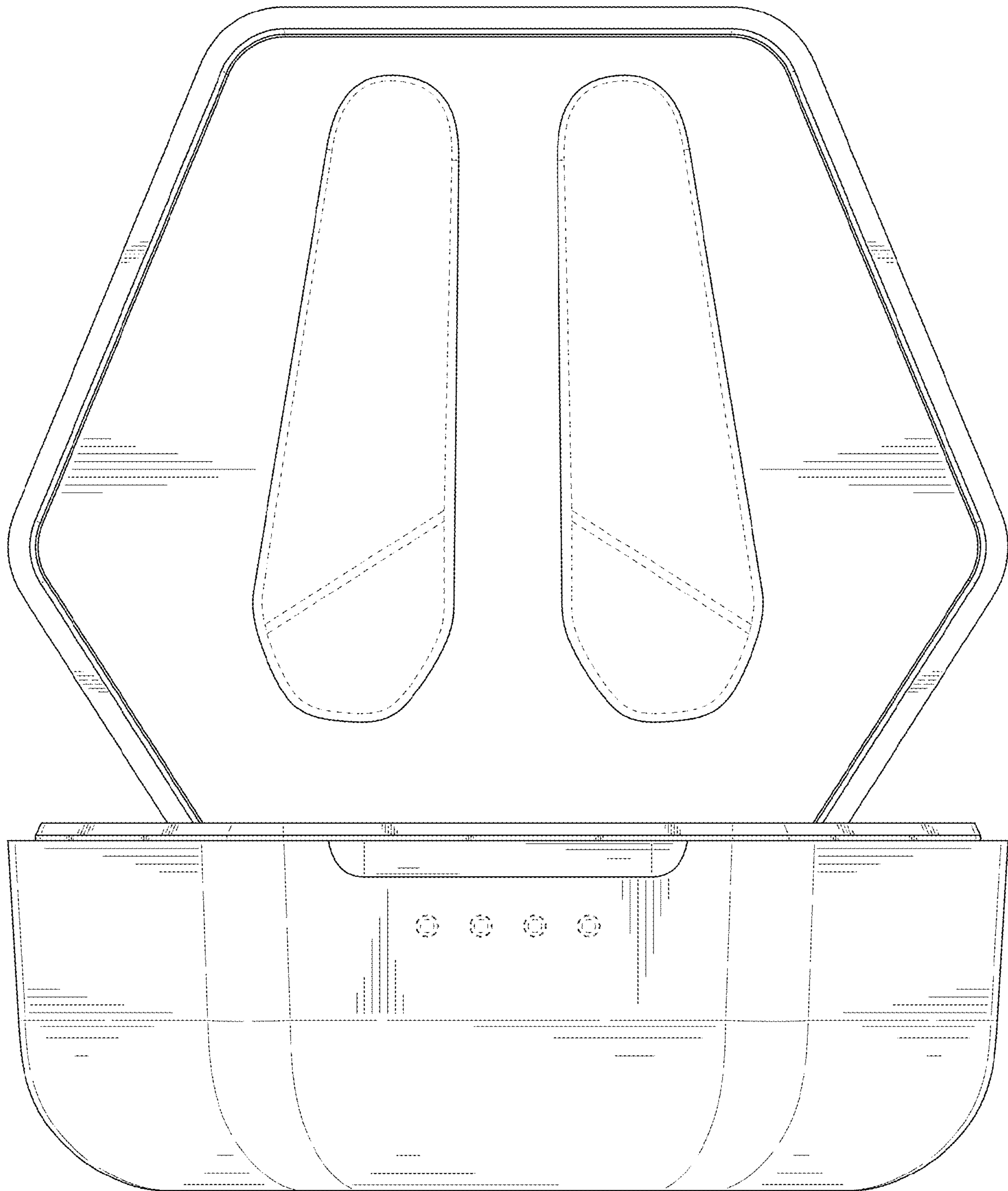


FIG. 3

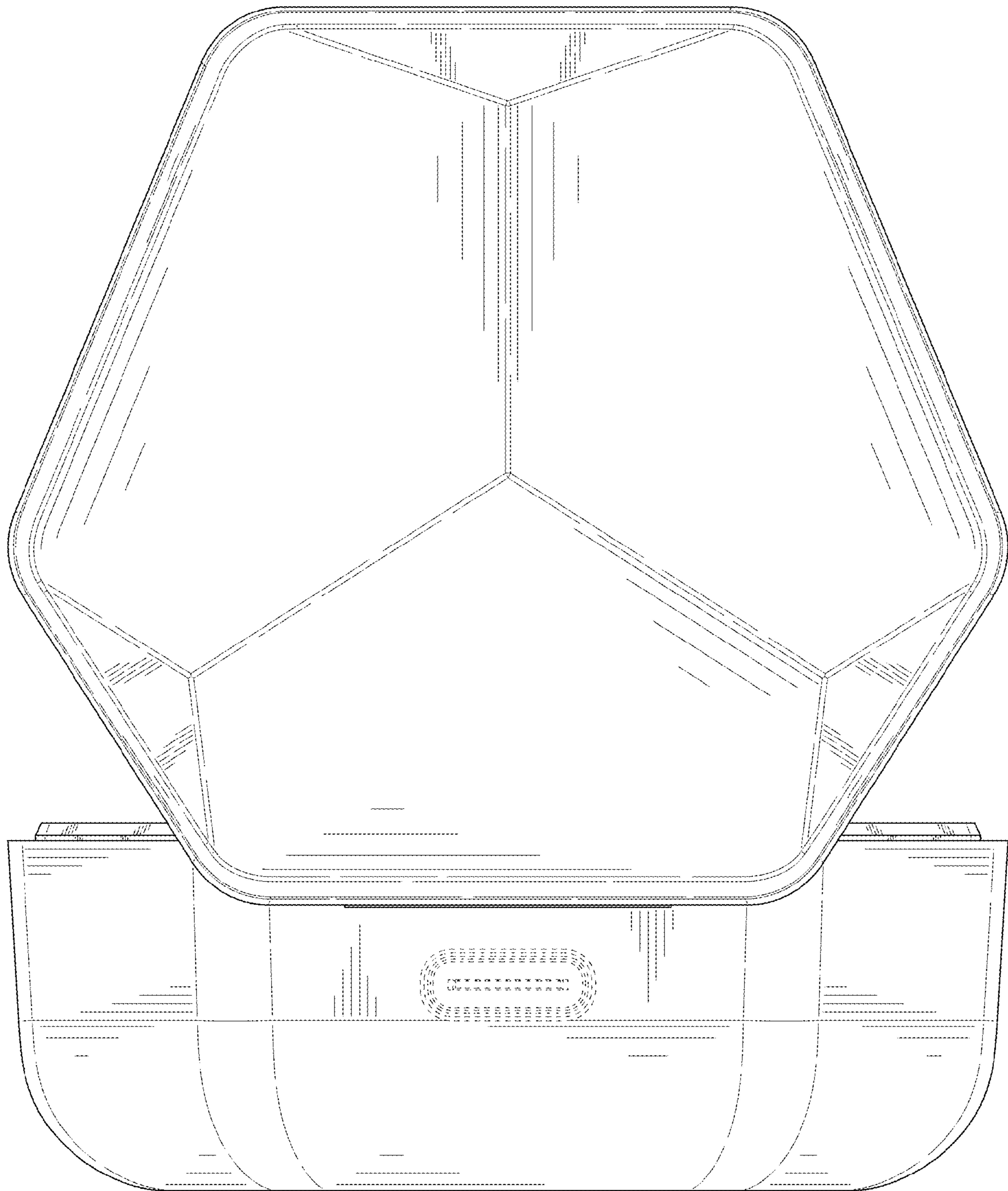


FIG. 4

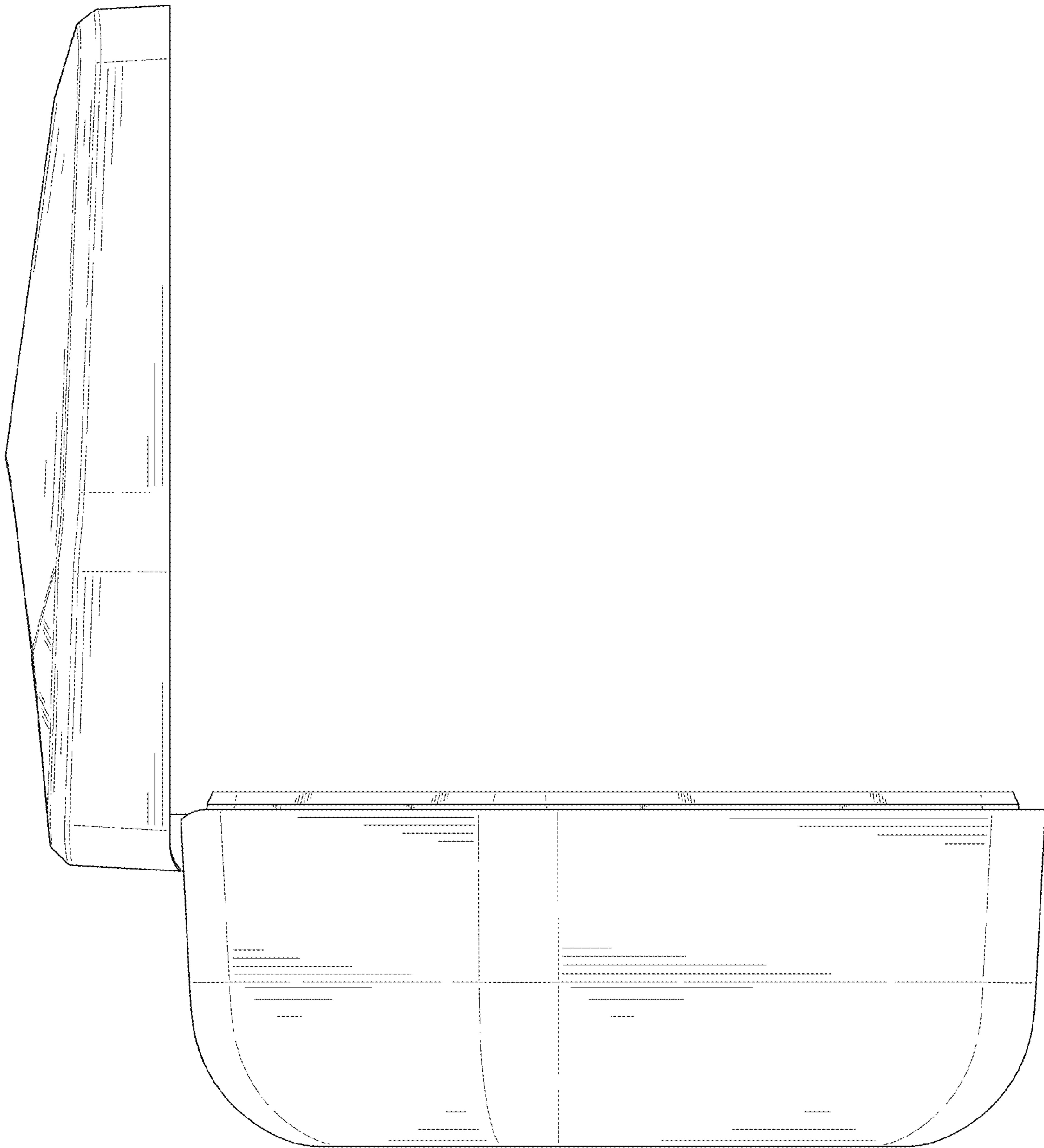


FIG. 5

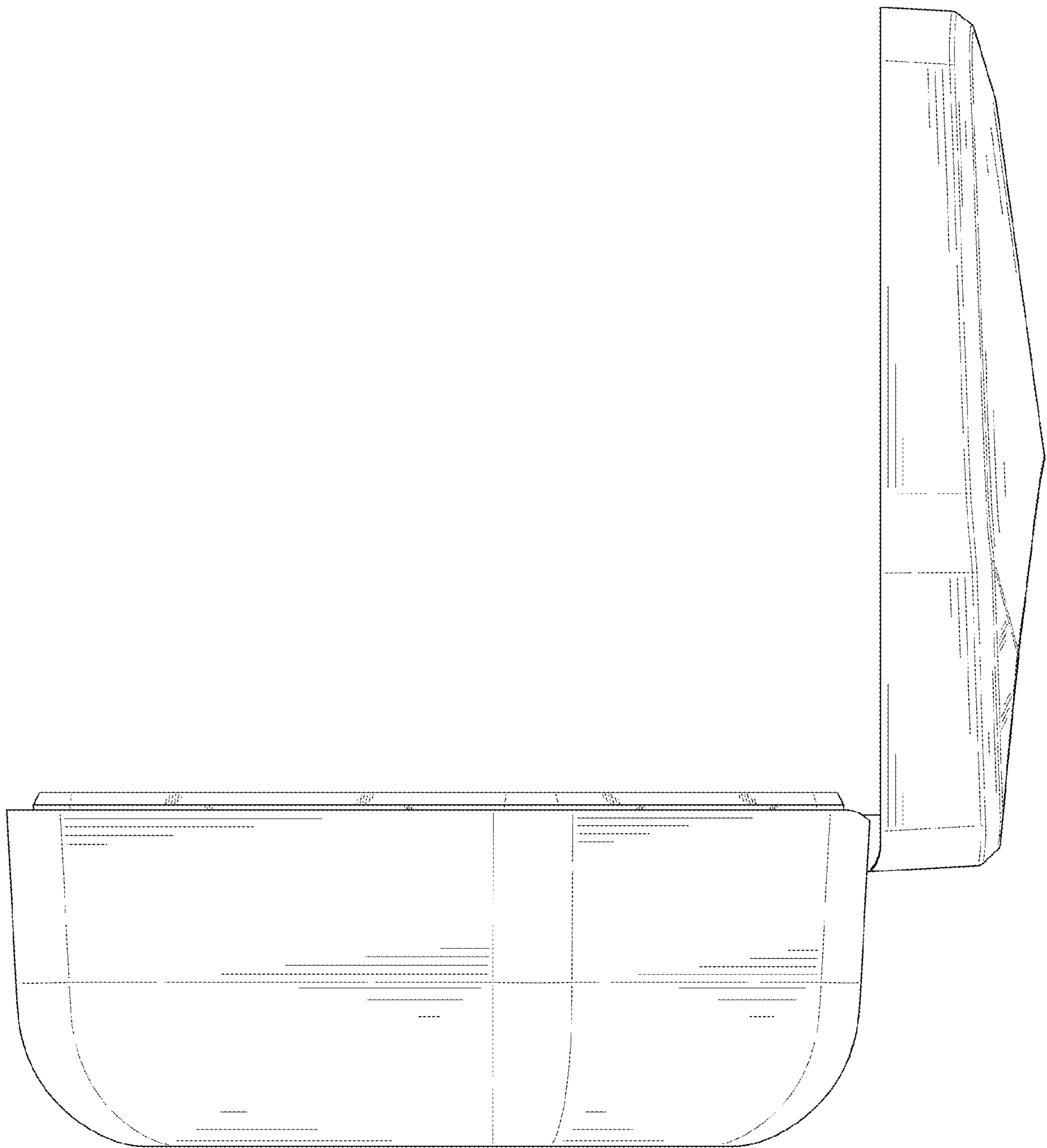


FIG. 6

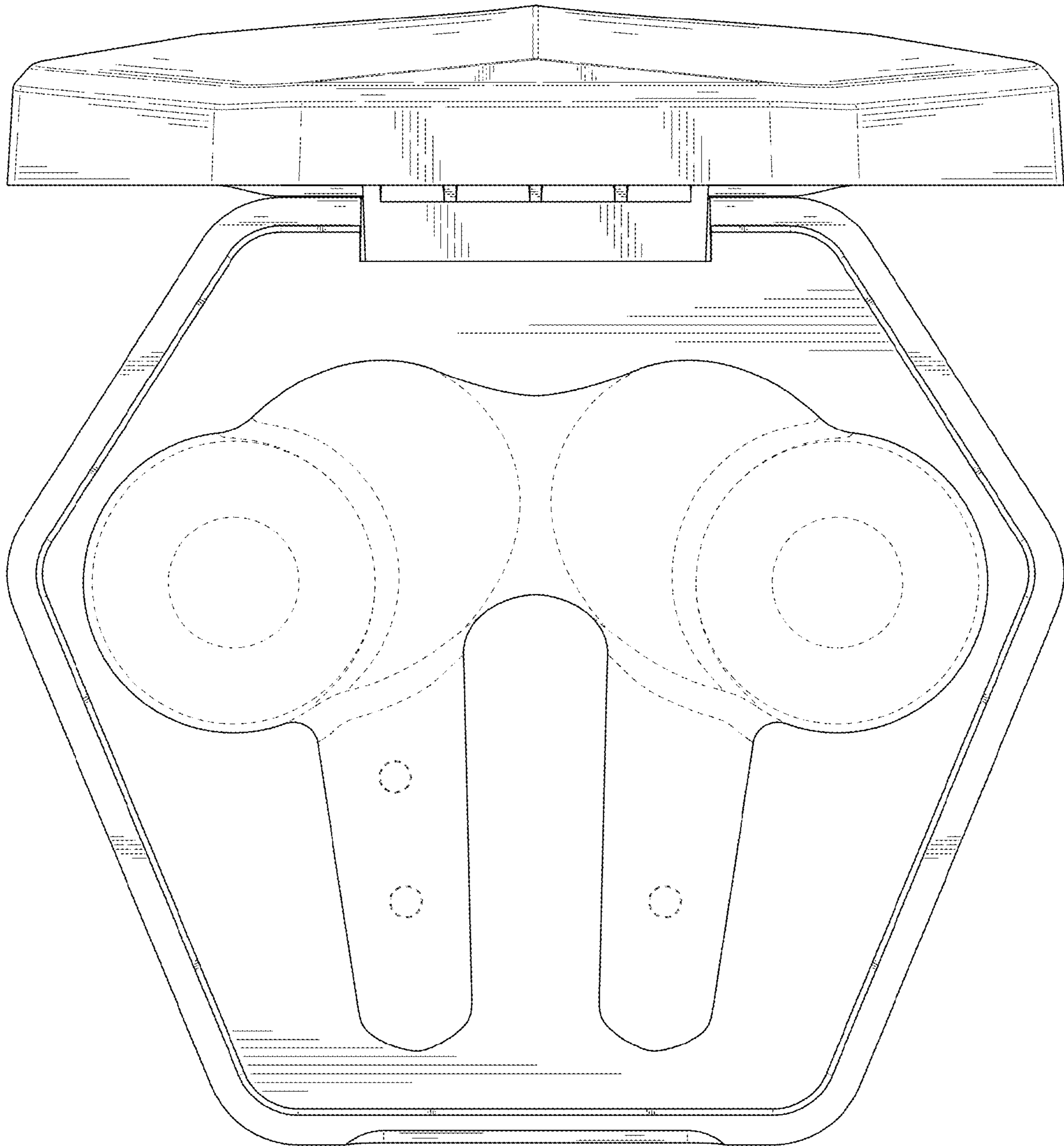


FIG. 7

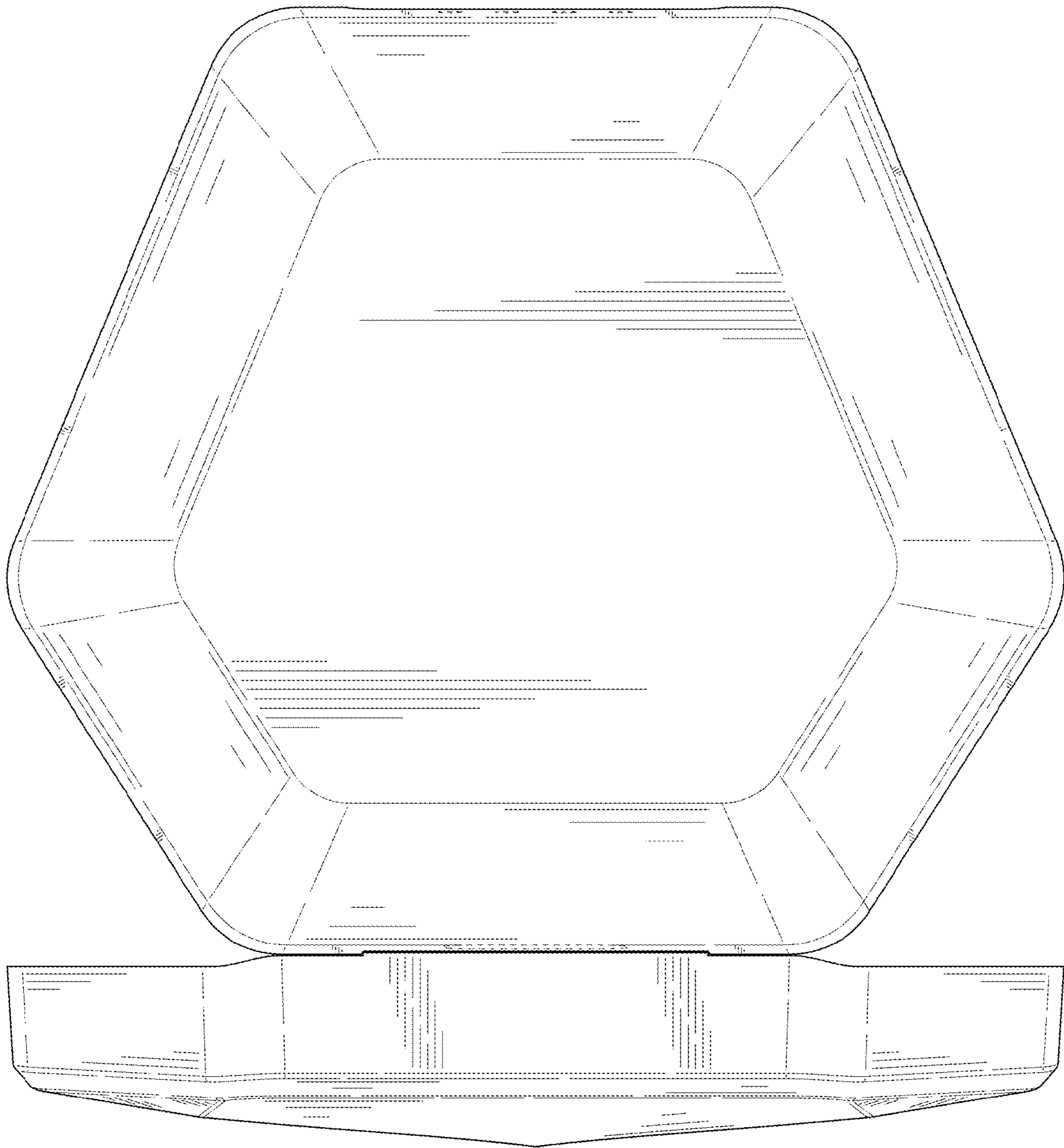


FIG. 8

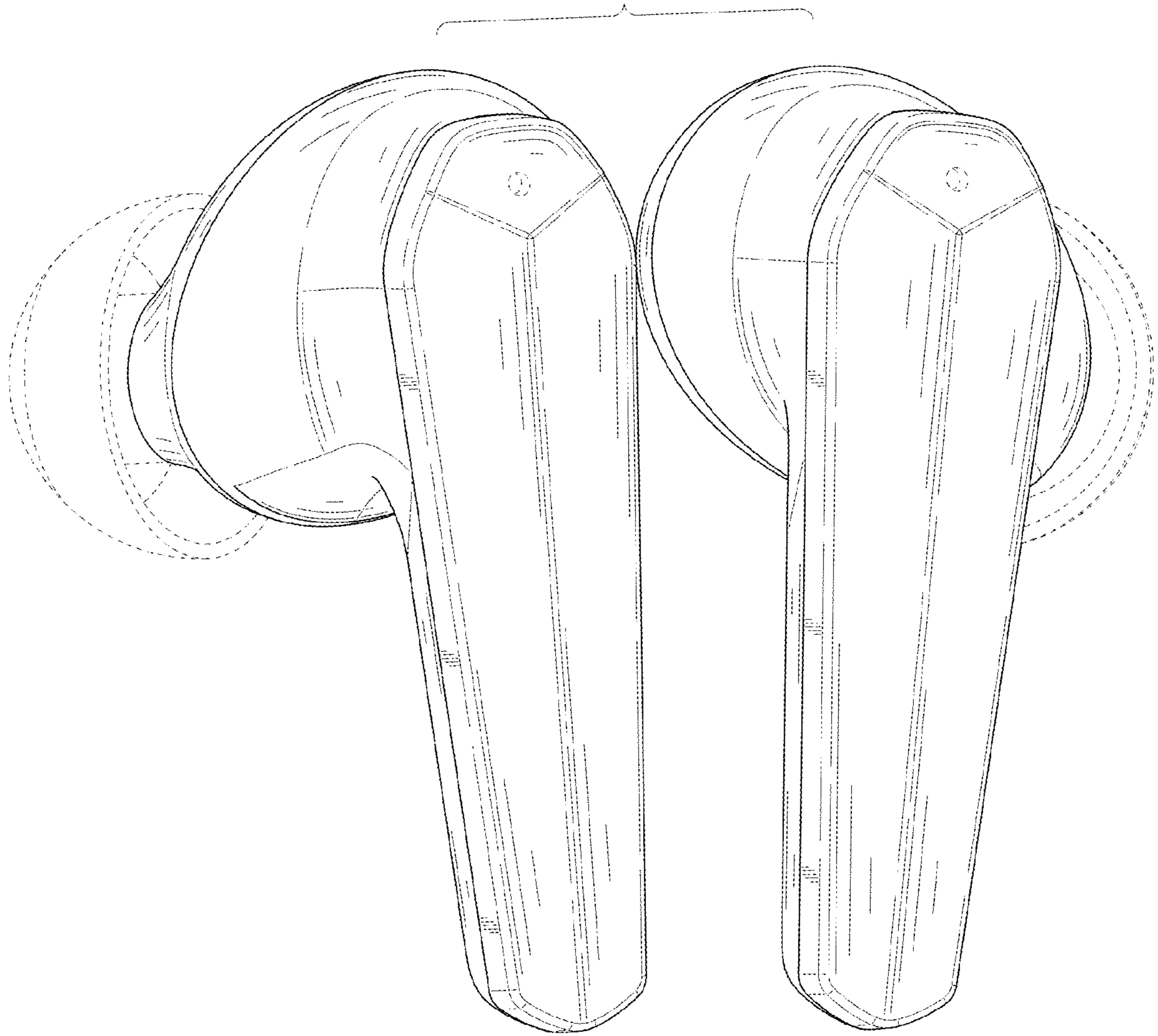


FIG. 9

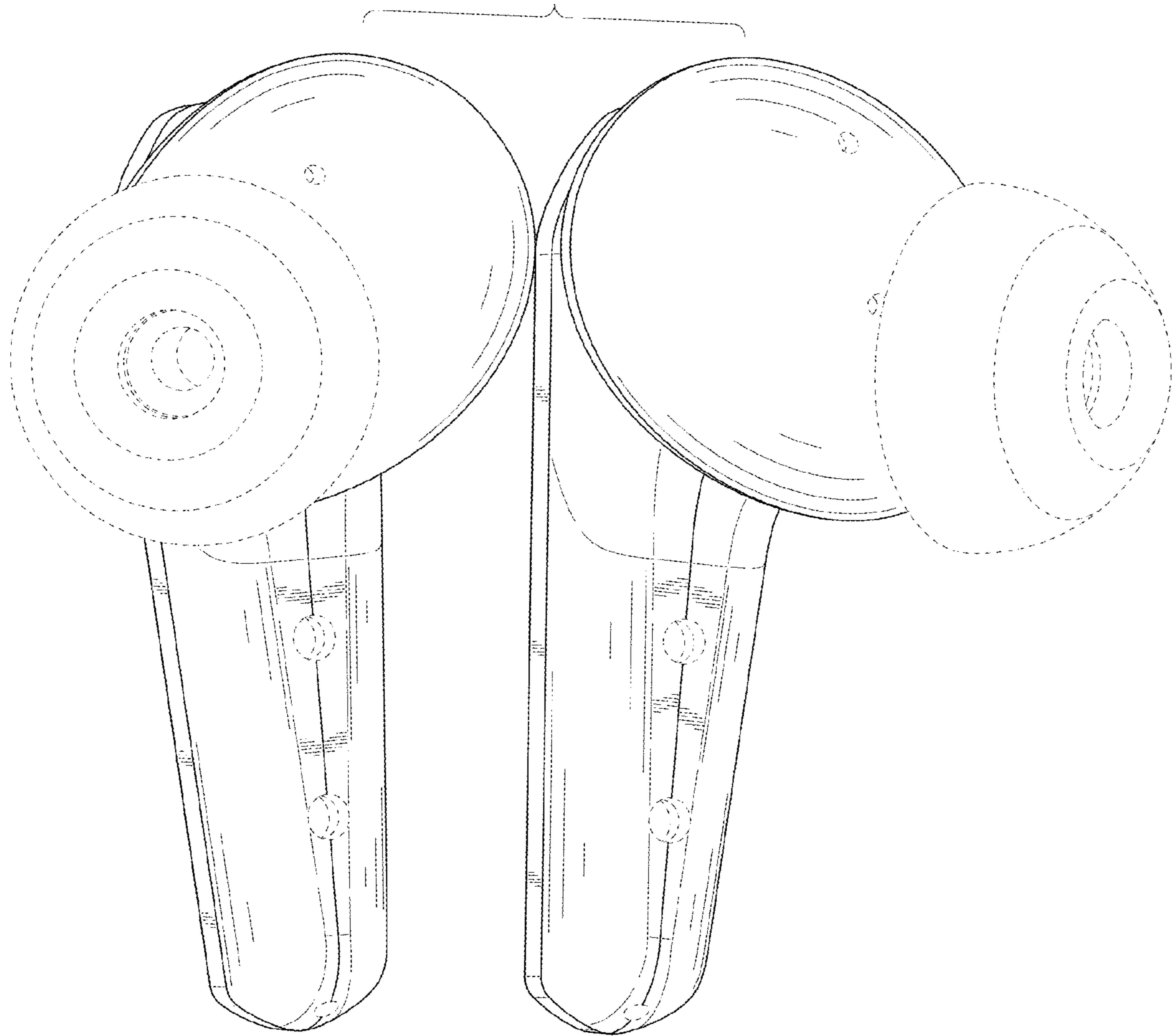


FIG. 10

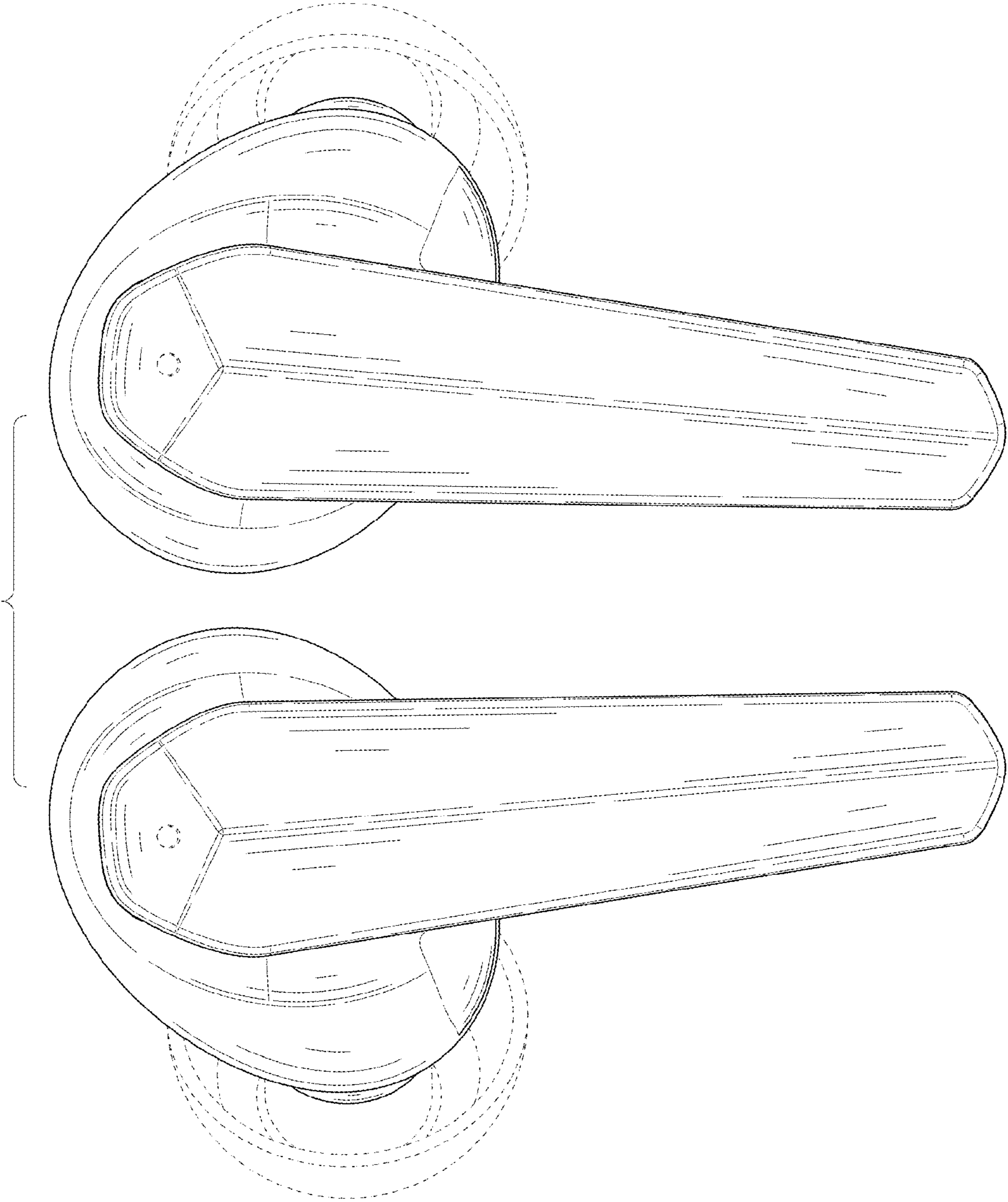


FIG. 11

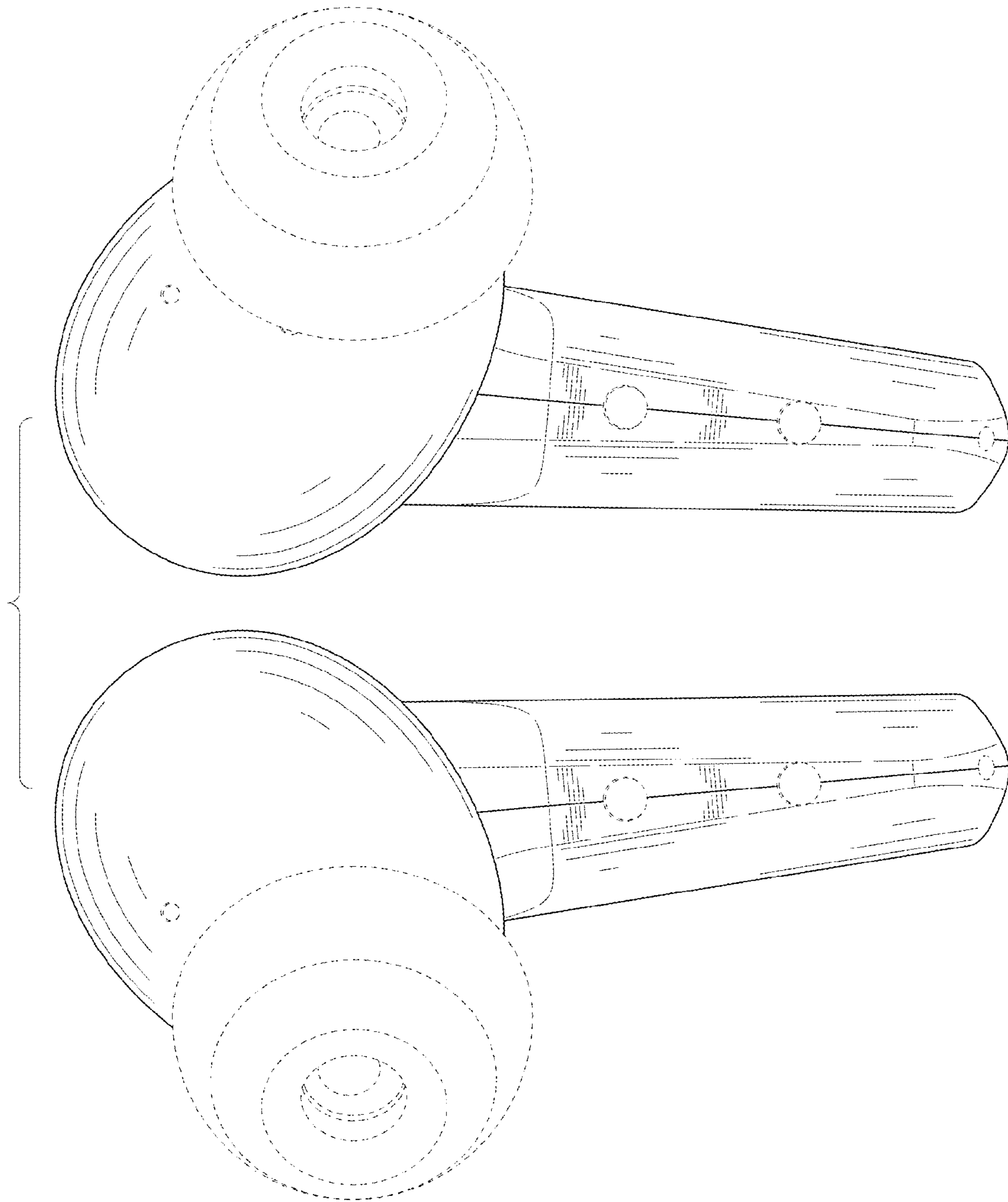


FIG. 12

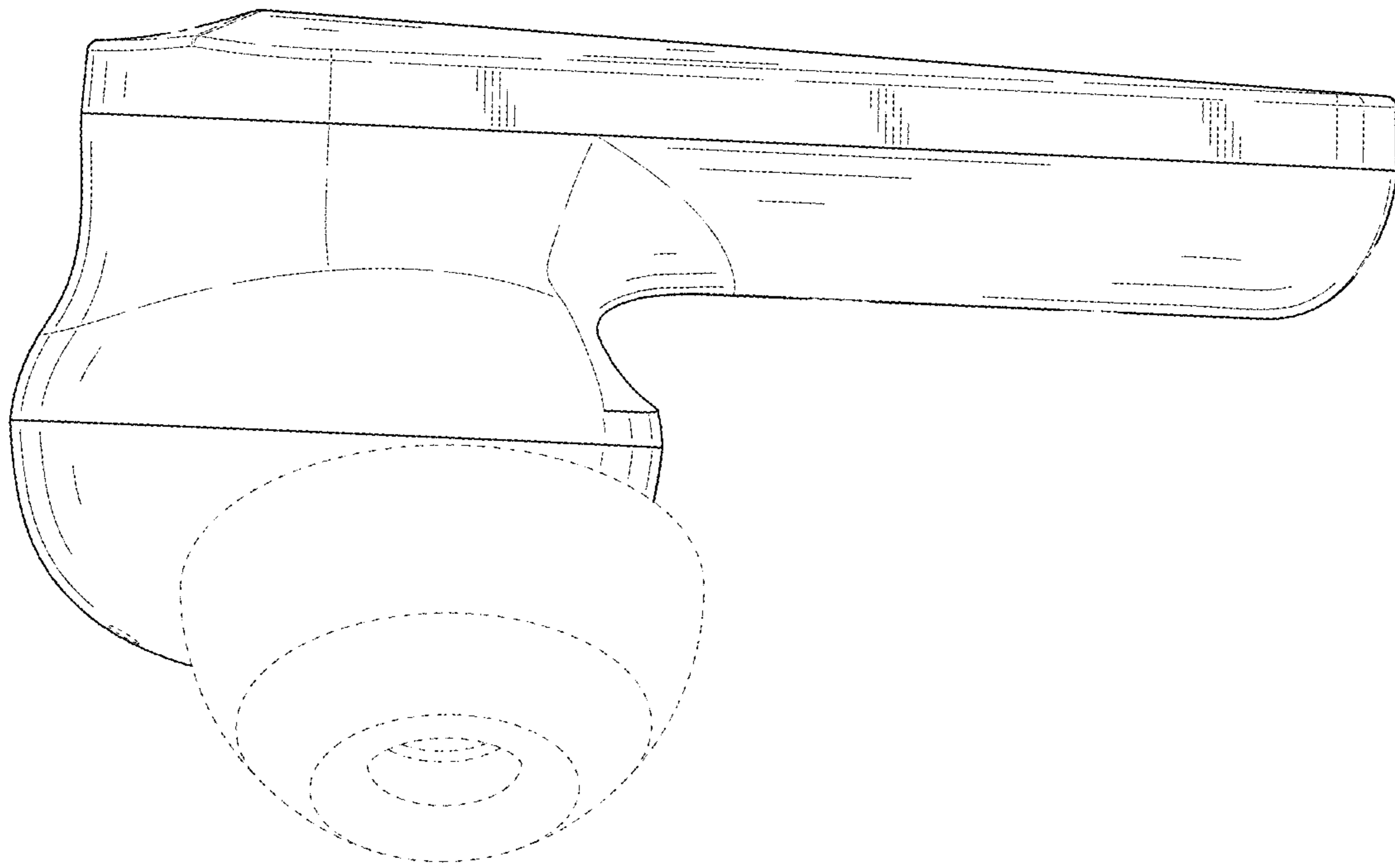


FIG. 13

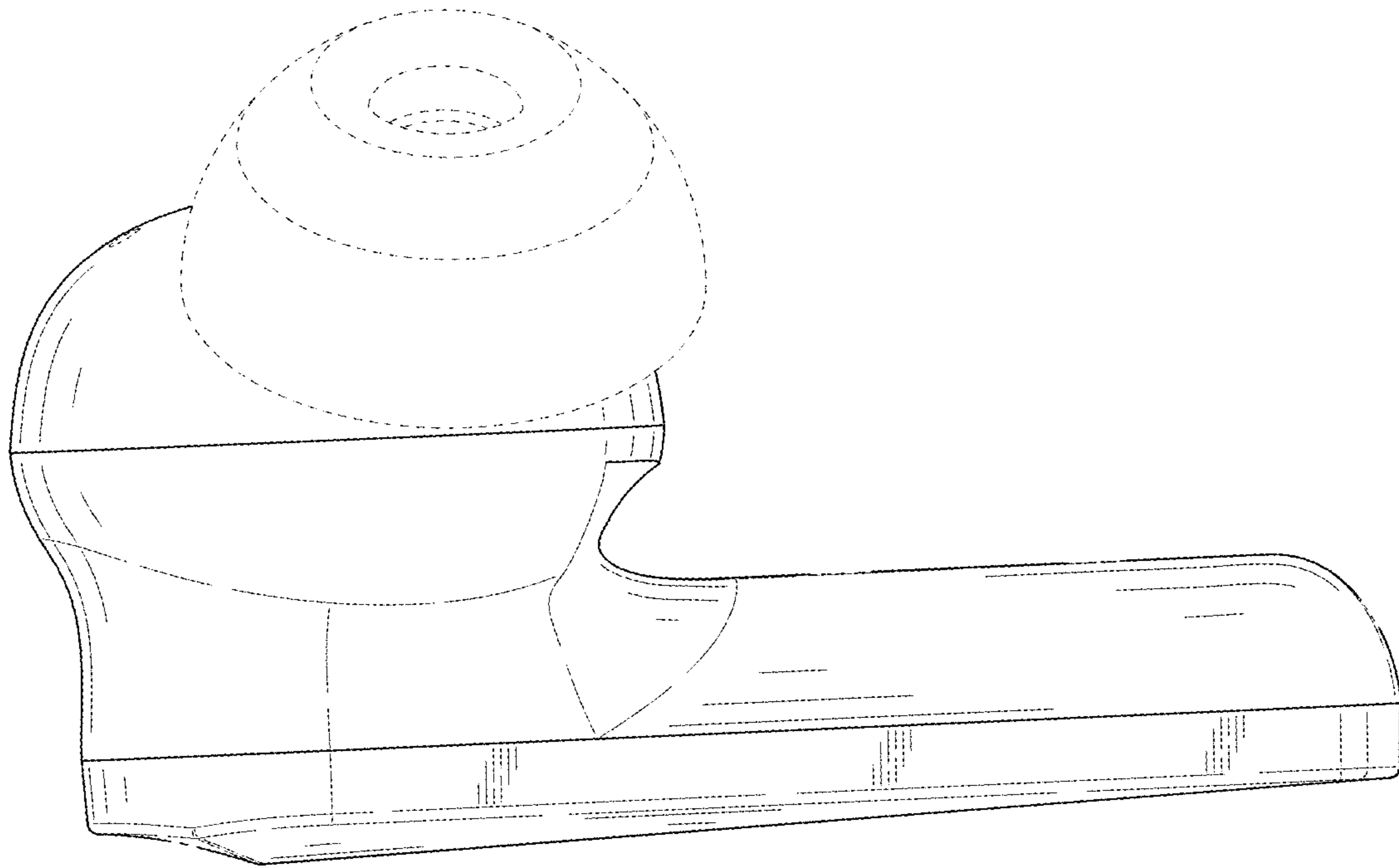


FIG. 14

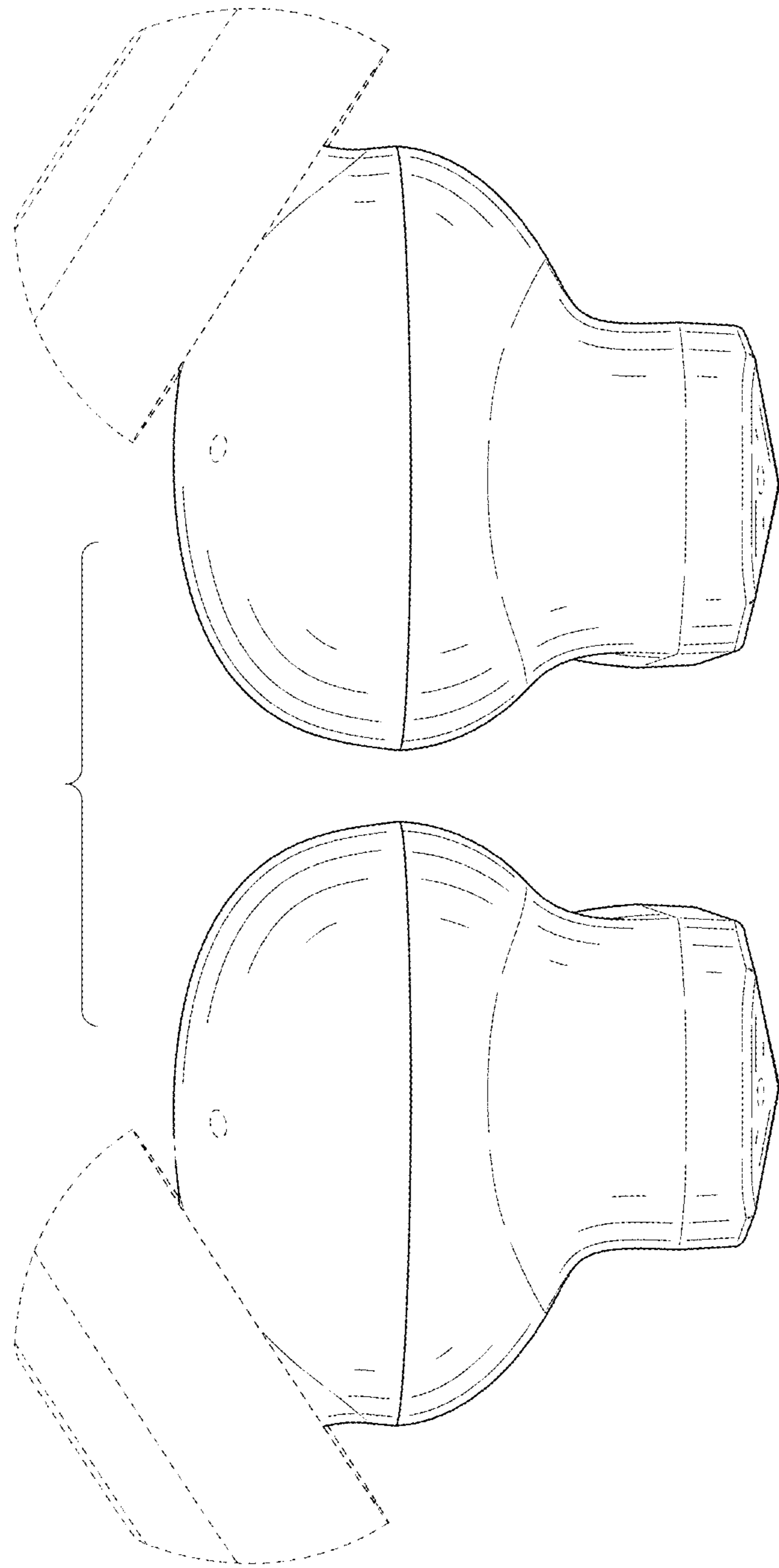


FIG. 15

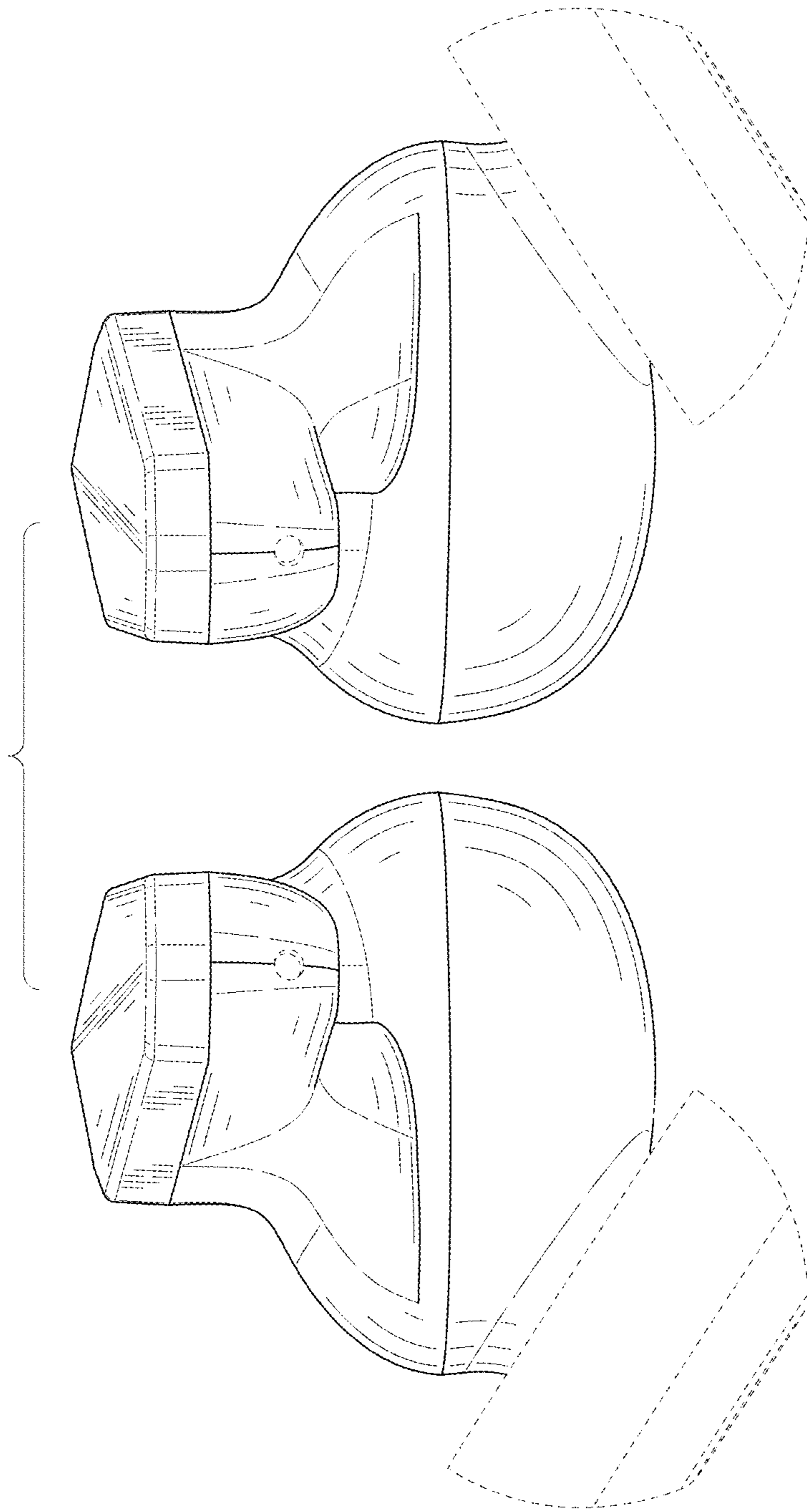


FIG. 16

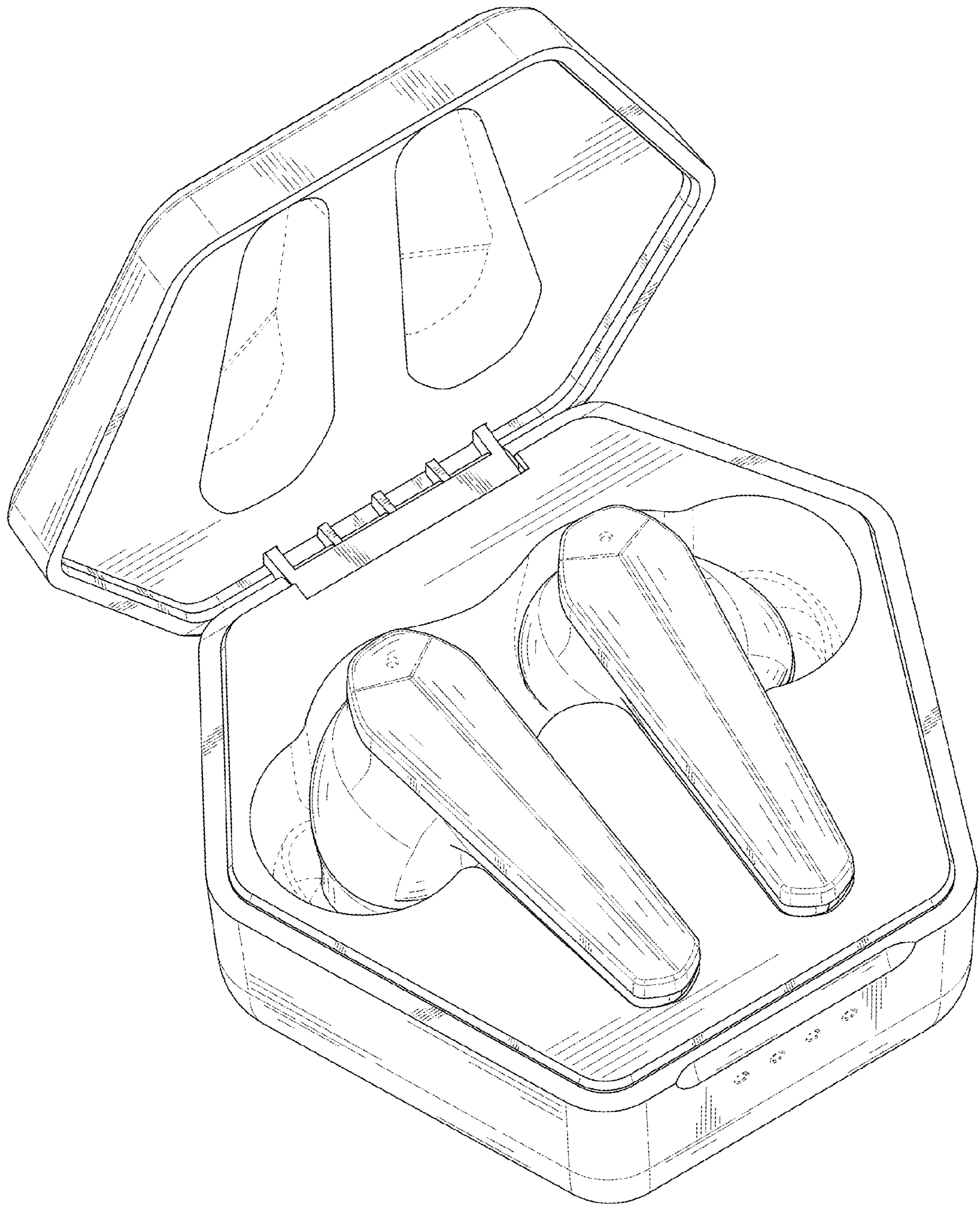


FIG. 17

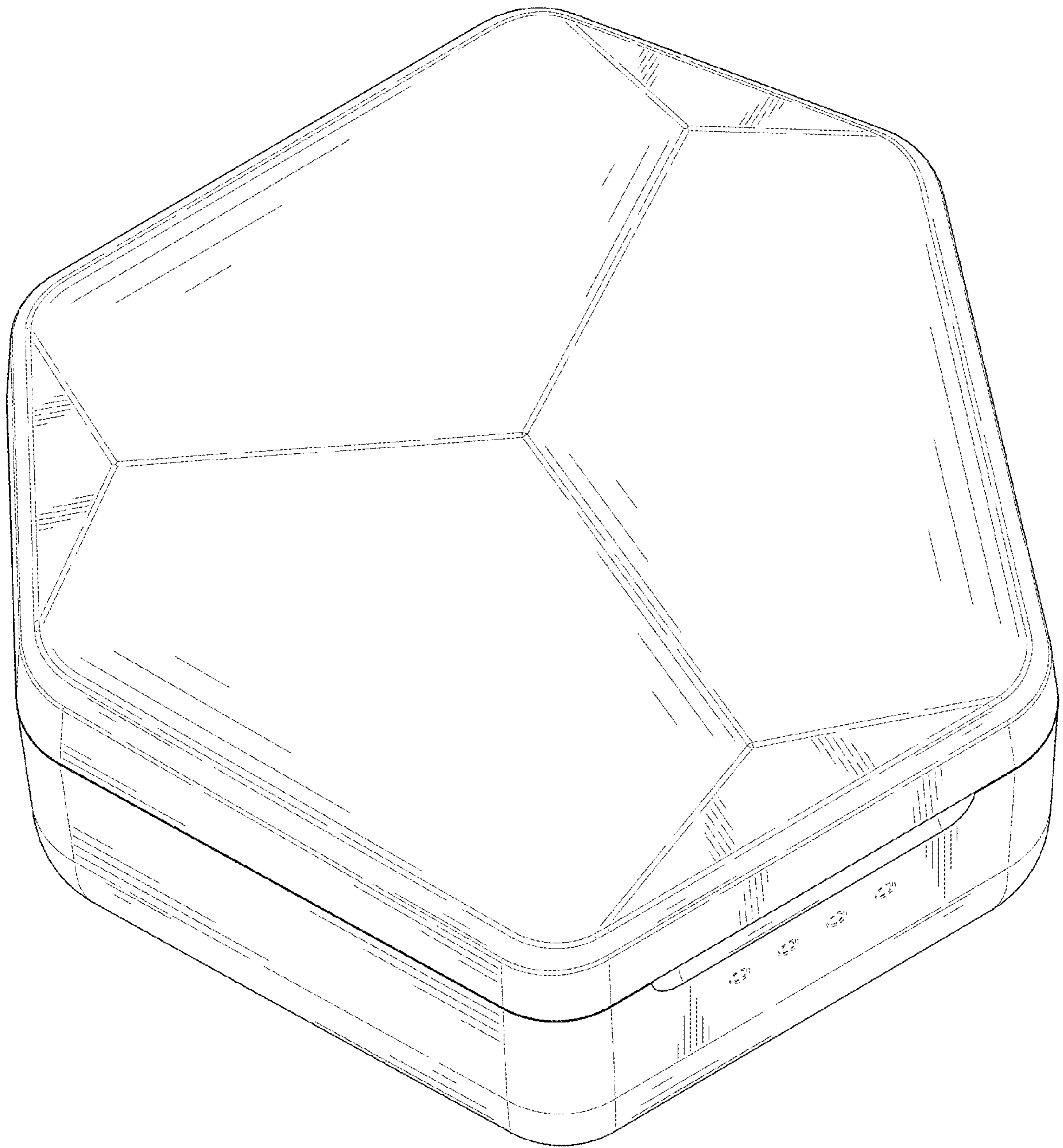


FIG. 18