



US00D981991S

(12) **United States Design Patent** (10) **Patent No.:** **US D981,991 S**
van de Kamp et al. (45) **Date of Patent:** **** Mar. 28, 2023**

(54) **MOUNT FOR ELECTRONIC DEVICES**
 (71) Applicant: **Innovelis, Inc.**, Sammamish, WA (US)
 (72) Inventors: **Ian Jacob van de Kamp**, Seattle, WA (US); **Eric John Wengreen**, Sammamish, WA (US)
 (73) Assignee: **Innovelis, Inc.**, Sammamish, WA (US)

D692,009 S * 10/2013 Ashida D14/447
 D730,888 S * 6/2015 Malsan D14/253
 D764,133 S 8/2016 Goodman
 9,421,472 B2 * 8/2016 Buller A63F 13/98
 D765,623 S * 9/2016 Yang D14/224
 D776,080 S 1/2017 Enquist
 D797,705 S * 9/2017 Zheng D14/217
 D809,905 S 2/2018 Gunderson

(Continued)

(**) Term: **15 Years**

(21) Appl. No.: **29/771,308**

(22) Filed: **Feb. 22, 2021**

(51) **LOC (14) Cl.** **14-01**

(52) **U.S. Cl.**
USPC **D14/217**

(58) **Field of Classification Search**
 USPC ... D14/209.1, 217, 224, 253, 434, 447, 453;
 D13/108; D19/75; D6/682; D8/380;
 D21/333
 CPC .. F16M 13/00; A47B 2023/049; A47B 23/04;
 A47B 2220/0091

See application file for complete search history.

(56) **References Cited**

U.S. PATENT DOCUMENTS

D279,630 S 7/1985 Bart
 D421,272 S 2/2000 Patel
 D453,155 S 1/2002 Michel
 D550,649 S * 9/2007 Thursfield D14/199
 D552,611 S 10/2007 Hagiwara
 D572,311 S 7/2008 Curless
 D579,004 S 10/2008 Bang
 3,061,721 A1 11/2011 Ganz
 D651,213 S * 12/2011 Magness D14/447
 D656,125 S 3/2012 Komiyama
 D662,089 S * 6/2012 Gougherty D14/224
 D684,145 S 6/2013 Rath
 D688,202 S 8/2013 Mecca
 D688,670 S * 8/2013 Huang D14/447

OTHER PUBLICATIONS

Amazon.com_ TotalMount Gaming Headset Hanger, first available Sep. 4, 2021 [online], retrieved Jan. 12, 2023, available at URL: <https://a.co/d/f2vfuJ6> (Year: 2021).*

(Continued)

Primary Examiner — Wendy L Arminio
Assistant Examiner — Carrie S Gelula

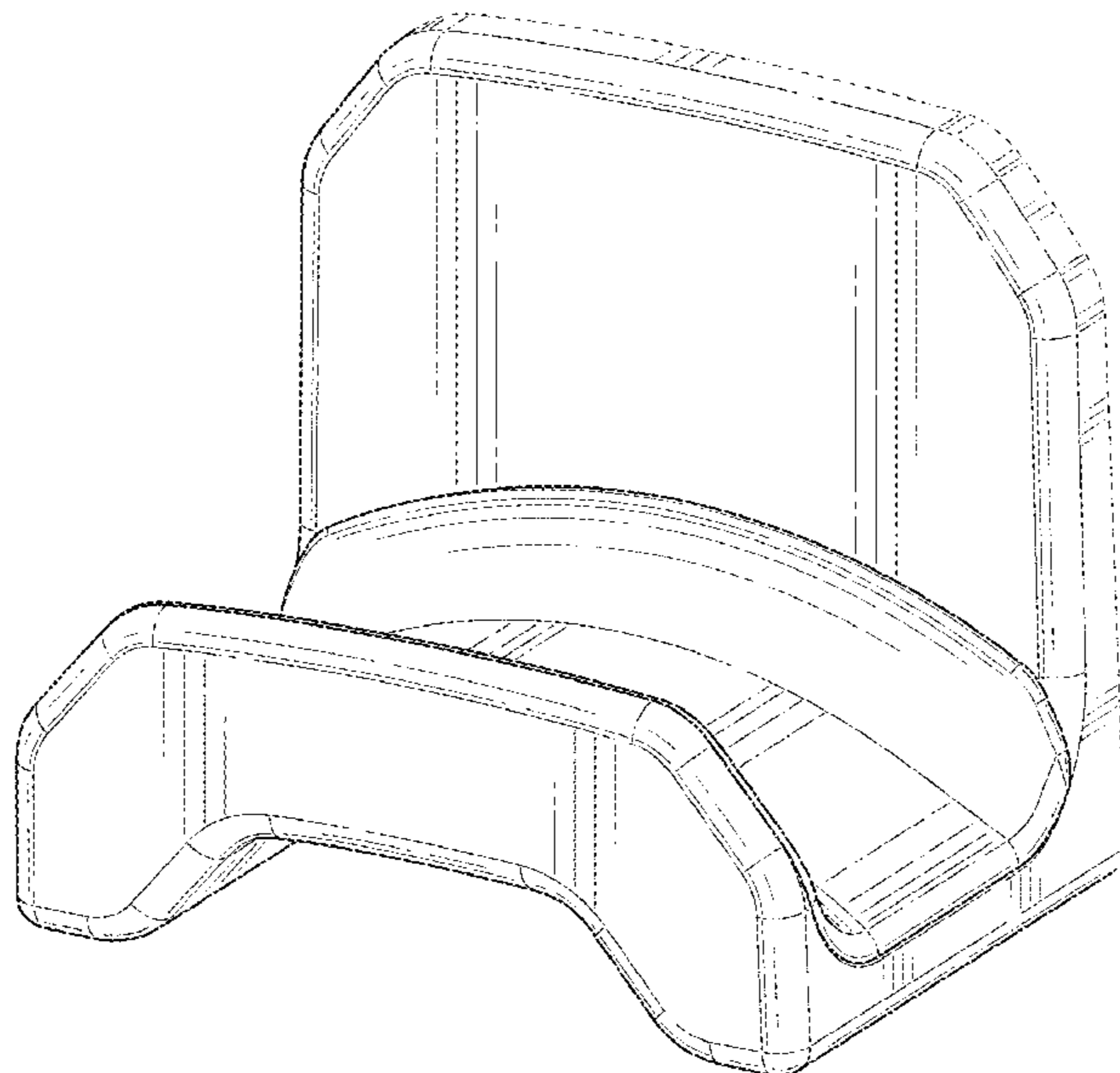
(57) **CLAIM**

The ornamental design for a mount for electronic devices, as shown and described.

DESCRIPTION

FIG. 1 is a front, first side, and top perspective view of a mount for electronic devices embodying the new design;
 FIG. 2 is a back, second side, and bottom perspective view thereof;
 FIG. 3 is a back, first side, and top perspective view thereof;
 FIG. 4 is a front view thereof;
 FIG. 5 is a back view thereof;
 FIG. 6 is a second side view thereof;
 FIG. 7 is a first side view thereof;
 FIG. 8 is a top view thereof; and,
 FIG. 9 is a bottom view thereof.
 The uniform repeating broken lines depict portions of a mount for electronic devices in which the claimed design is embodied and form no part of the claimed design.

1 Claim, 9 Drawing Sheets



(56)

References Cited

U.S. PATENT DOCUMENTS

D857,610 S	8/2019	Meldrum	
D876,424 S	2/2020	Ryan	
D885,481 S	5/2020	Tung	
D905,021 S	12/2020	Wengreen	
11,231,744 B2 *	1/2022	Wengreen H04R 1/026
D968,201 S *	11/2022	Chalfin D8/367

OTHER PUBLICATIONS

Amazon.com_ HomeMount Headphone Stand Headset Holder, first available Feb. 21, 2022 [online], retrieved Jan. 12, 2023, available at URL: <https://a.co/d/h862Htt> (Year: 2022).*

Amazon.com_ TotalMount Headphone Hanger, first available Apr. 10, 2020 [online], retrieved Jan. 12, 2023, available at URL: <https://a.co/d/2u1Nyuv> (Year: 2020).*

Headphone mount (ASIN B07PFV1NQX) available on Amazon.com prior to Oct. 2019, downloaded on Apr. 1, 2020 from <https://www.amazon.com/gp/product/B07PFV1NQX>.

Headphone mount (ASIN B01GJQ7N94) available on Amazon.com prior to Oct. 2019, downloaded on Apr. 1, 2020 from <https://www.amazon.com/gp/product/B01GJQ7N94>.

Headphone mount (ASIN B00P31BMHG) available on Amazon.com prior to Oct. 2019, downloaded on Apr. 1, 2020 from <https://www.amazon.com/gp/product/B00P31BMHG>.

Headphone mount (ASIN B07BVK2FQW) available on Amazon.com prior to Oct. 2019, downloaded on Apr. 1, 2020 from <https://www.amazon.com/gp/product/B07BVK2FQW>.

Headphone mount (ASIN B077MBVHP7) available on Amazon.com prior to Oct. 2019, downloaded on Apr. 1, 2020 from <https://www.amazon.com/gp/product/B077MBVHP7>.

Headphone mount (ASIN B012VIWG28) available on Amazon.com prior to Oct. 2019, downloaded on Apr. 1, 2020 from <https://www.amazon.com/gp/product/B012VIWG28>.

Headphone mount (ASIN B0192P8U5U) available on Amazon.com prior to Oct. 2019, downloaded on Apr. 1, 2020 from <https://www.amazon.com/gp/product/B0192P8U5U>.

Innovelis headphone mount (ASIN B086Z97S3H) available on Amazon.com as of Apr. 10, 2020, downloaded on Sep. 16, 2021 from <https://www.amazon.com/dp/B086Z97S3H>.

* cited by examiner

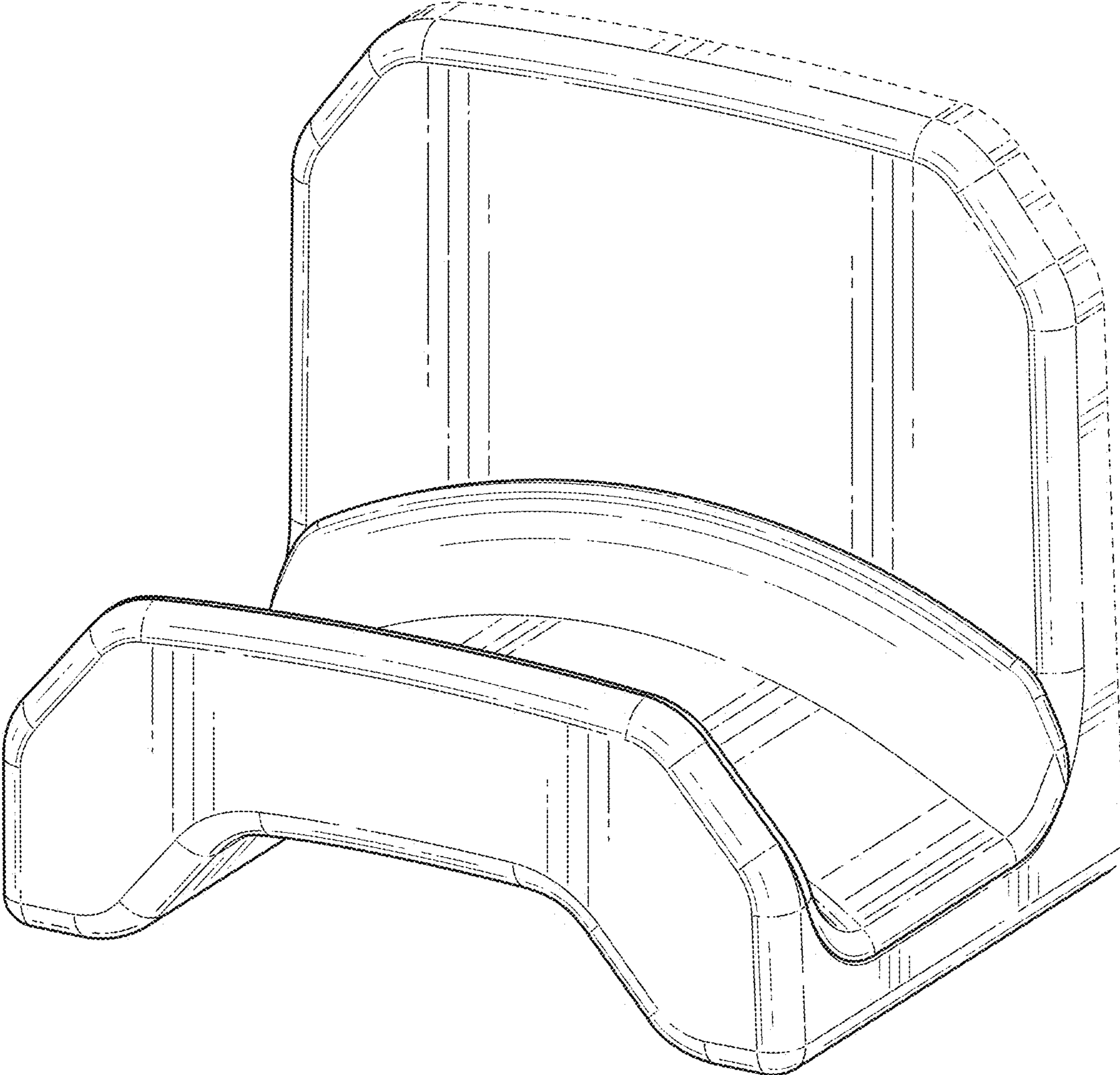


FIG. 1

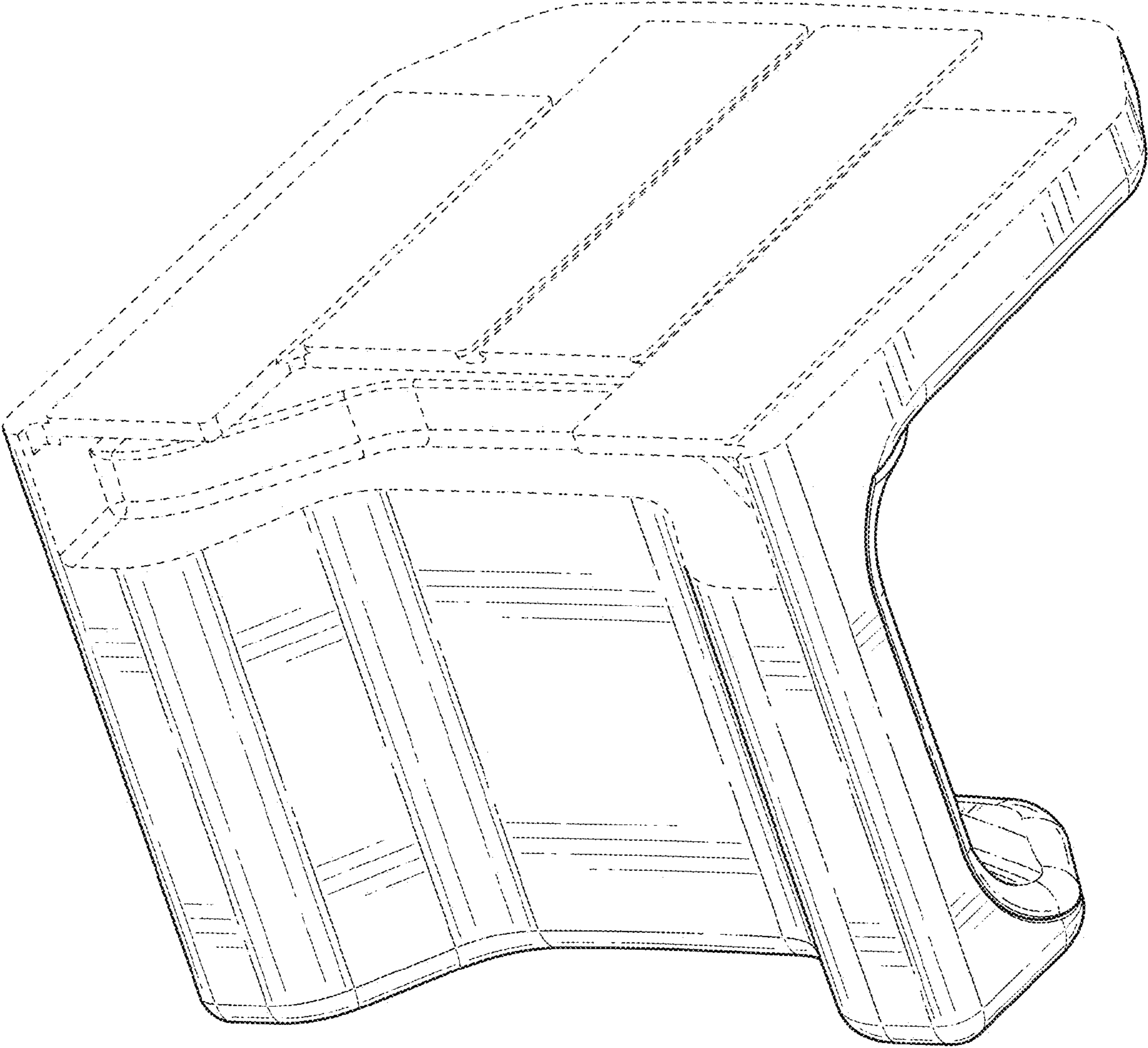


FIG. 2

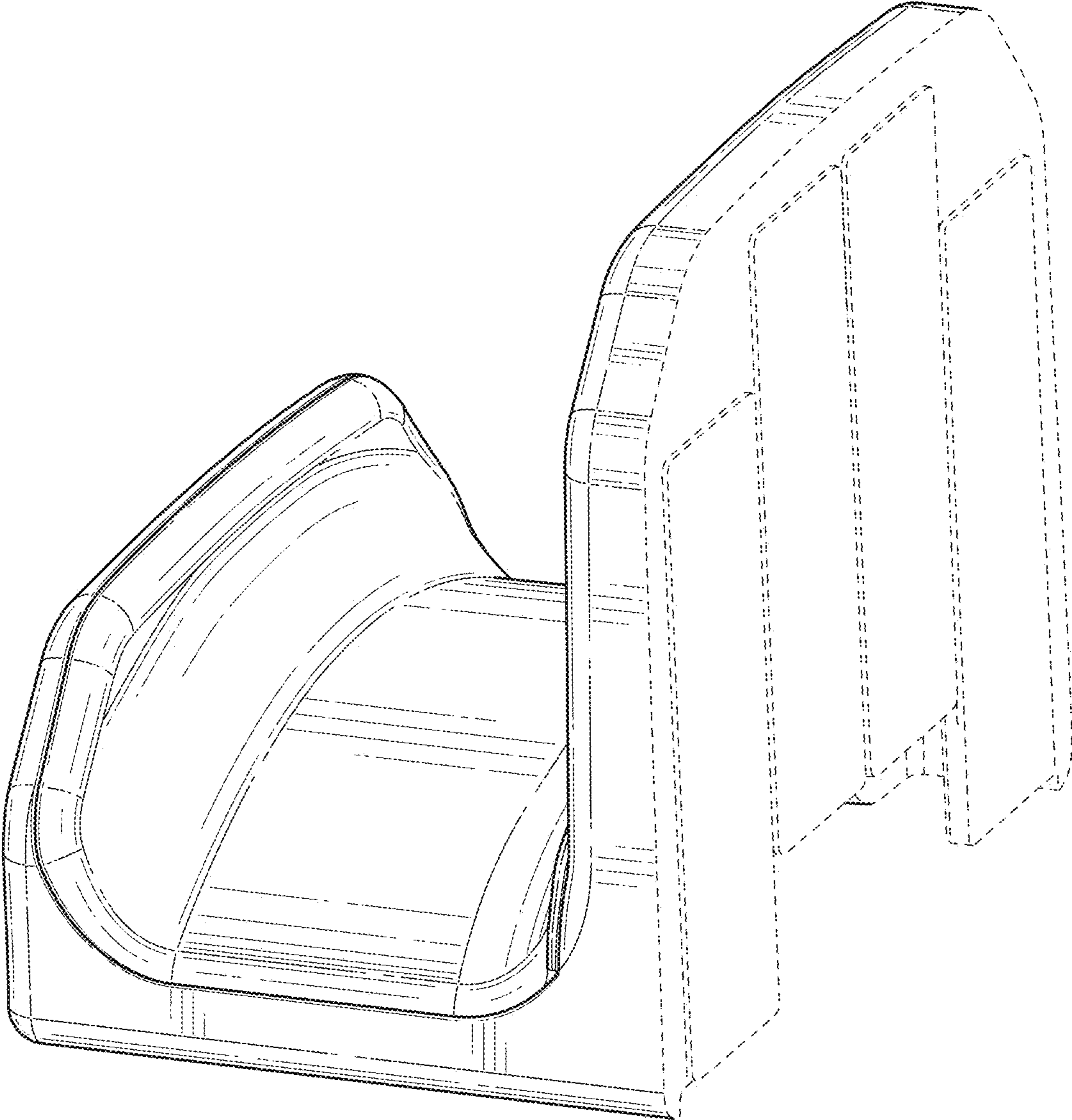


FIG. 3

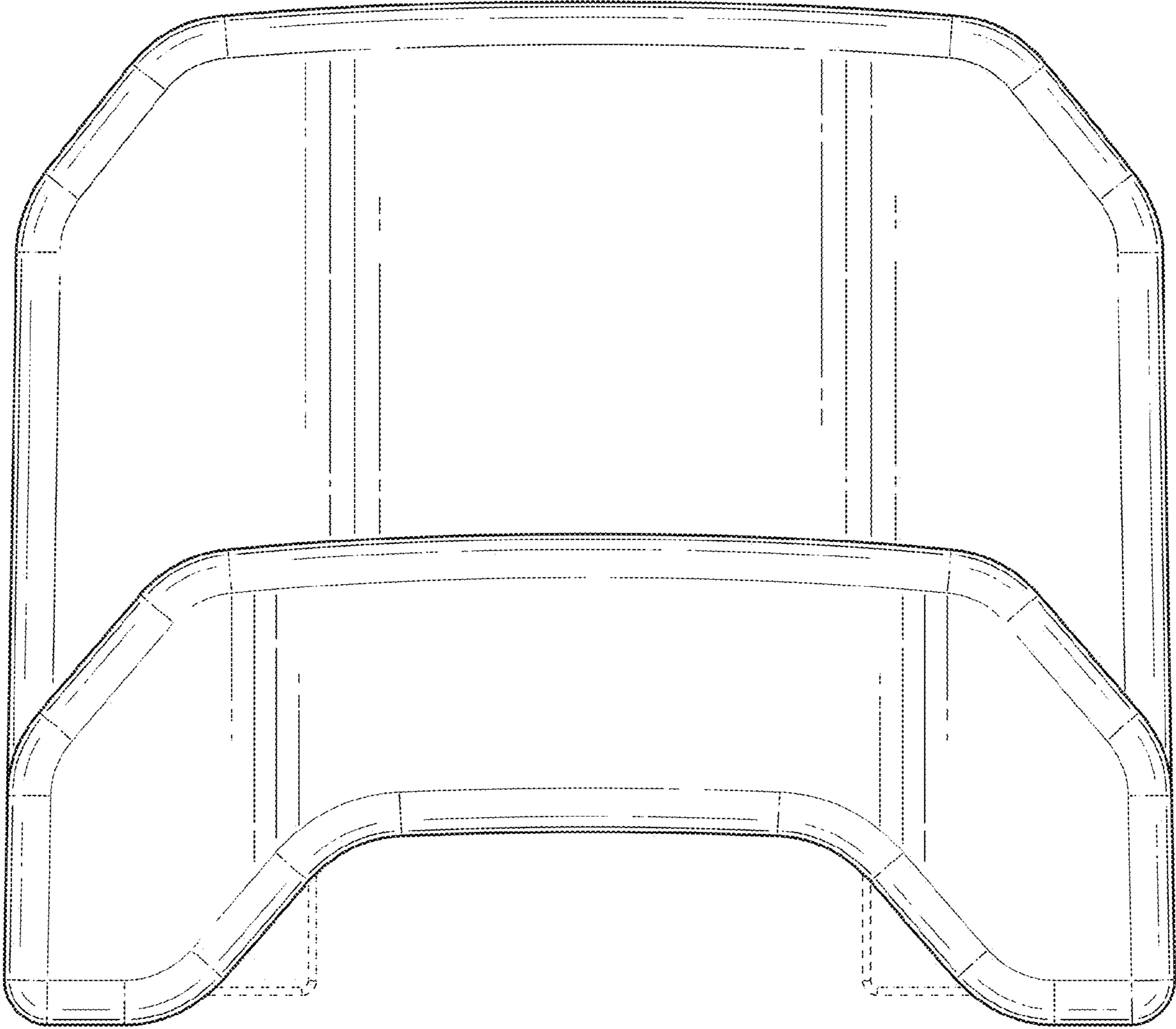


FIG. 4

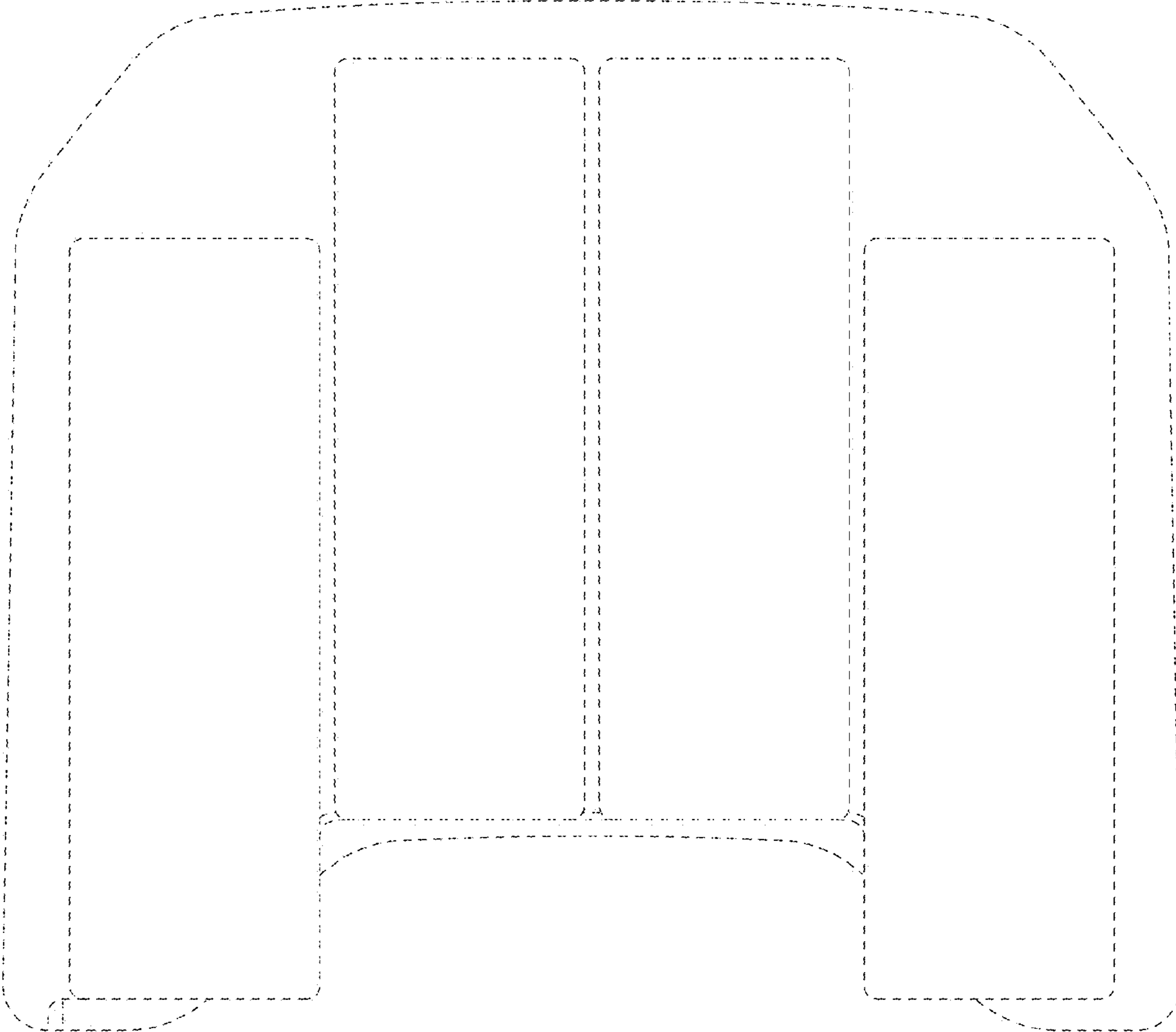


FIG. 5

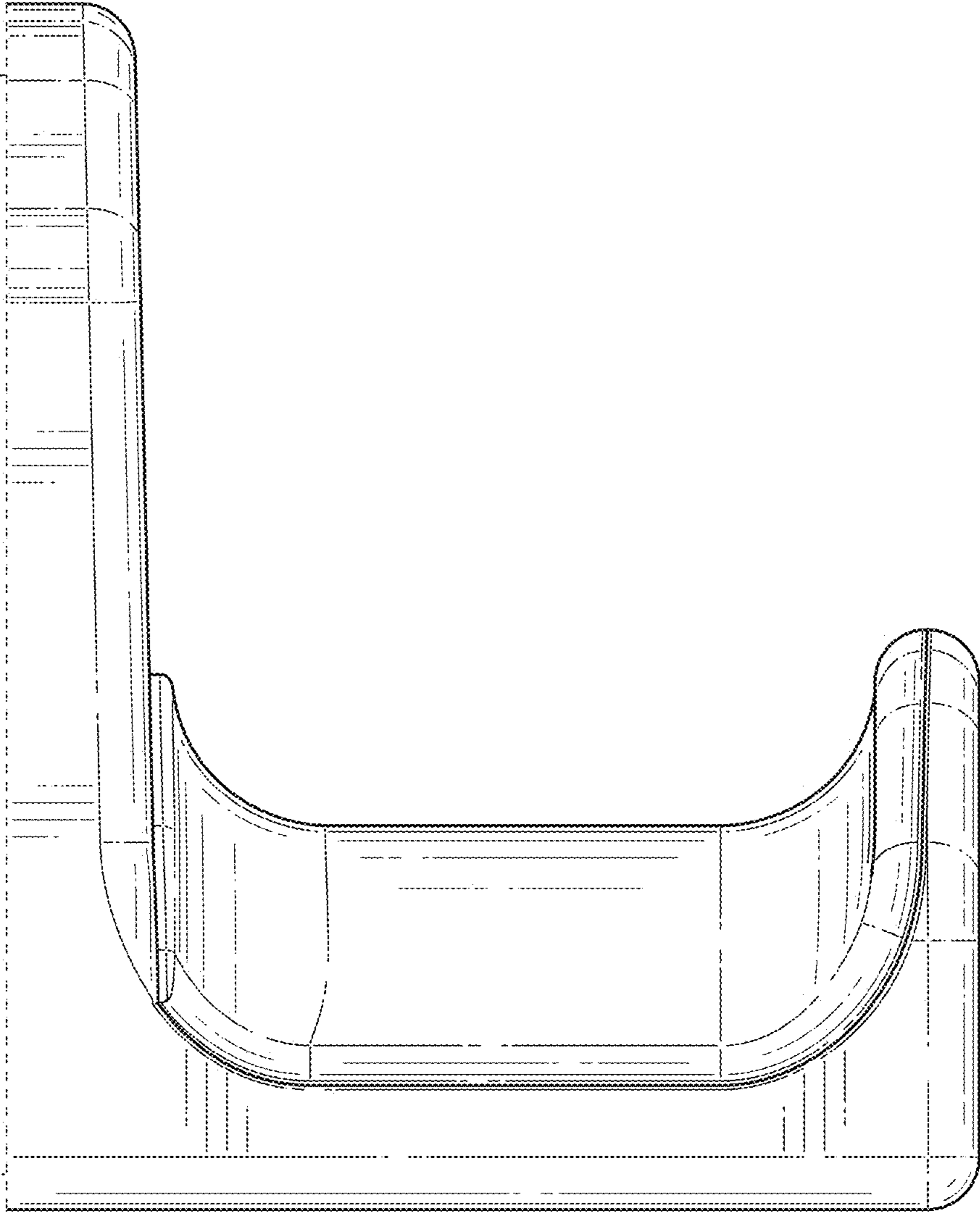


FIG. 6

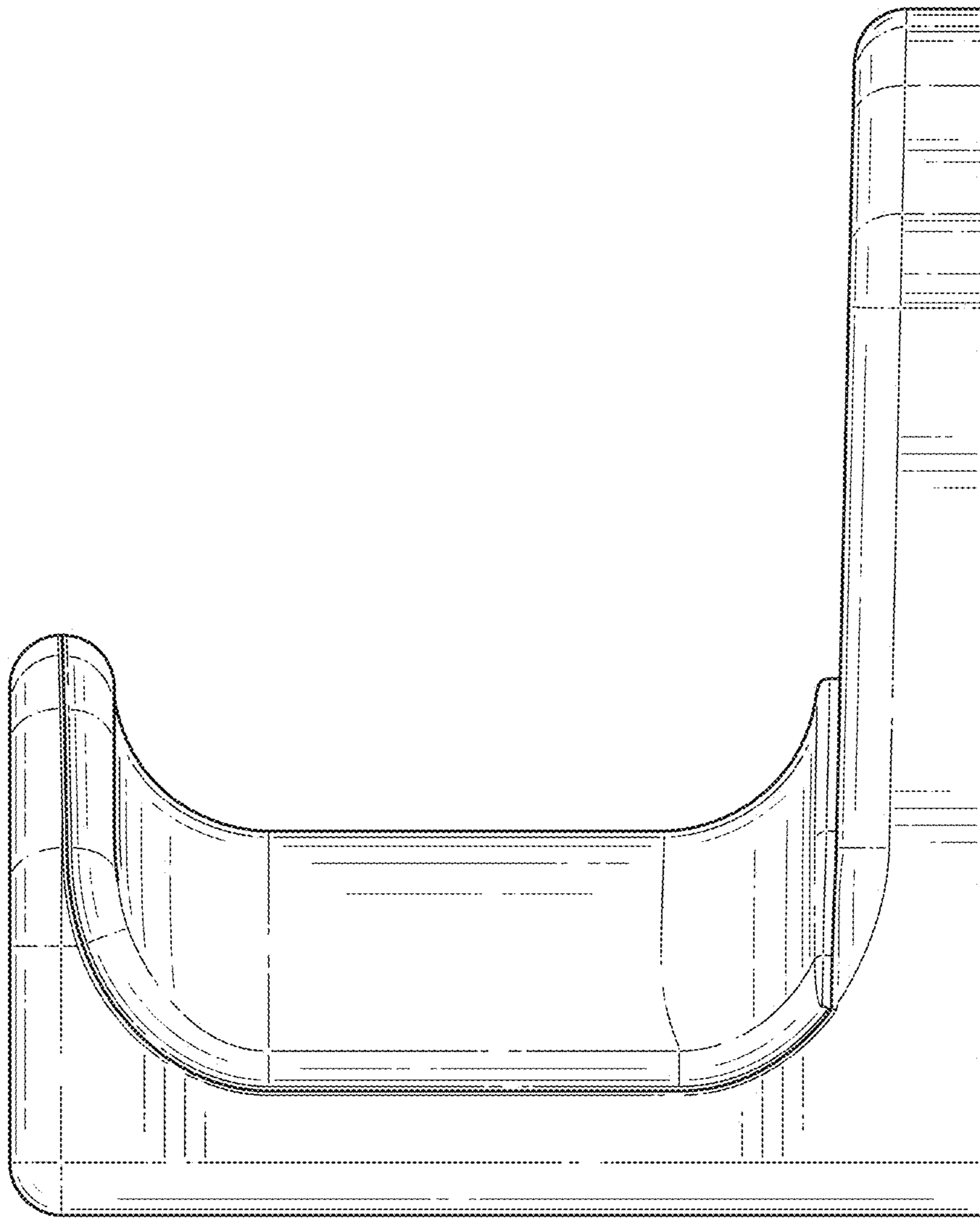


FIG. 7

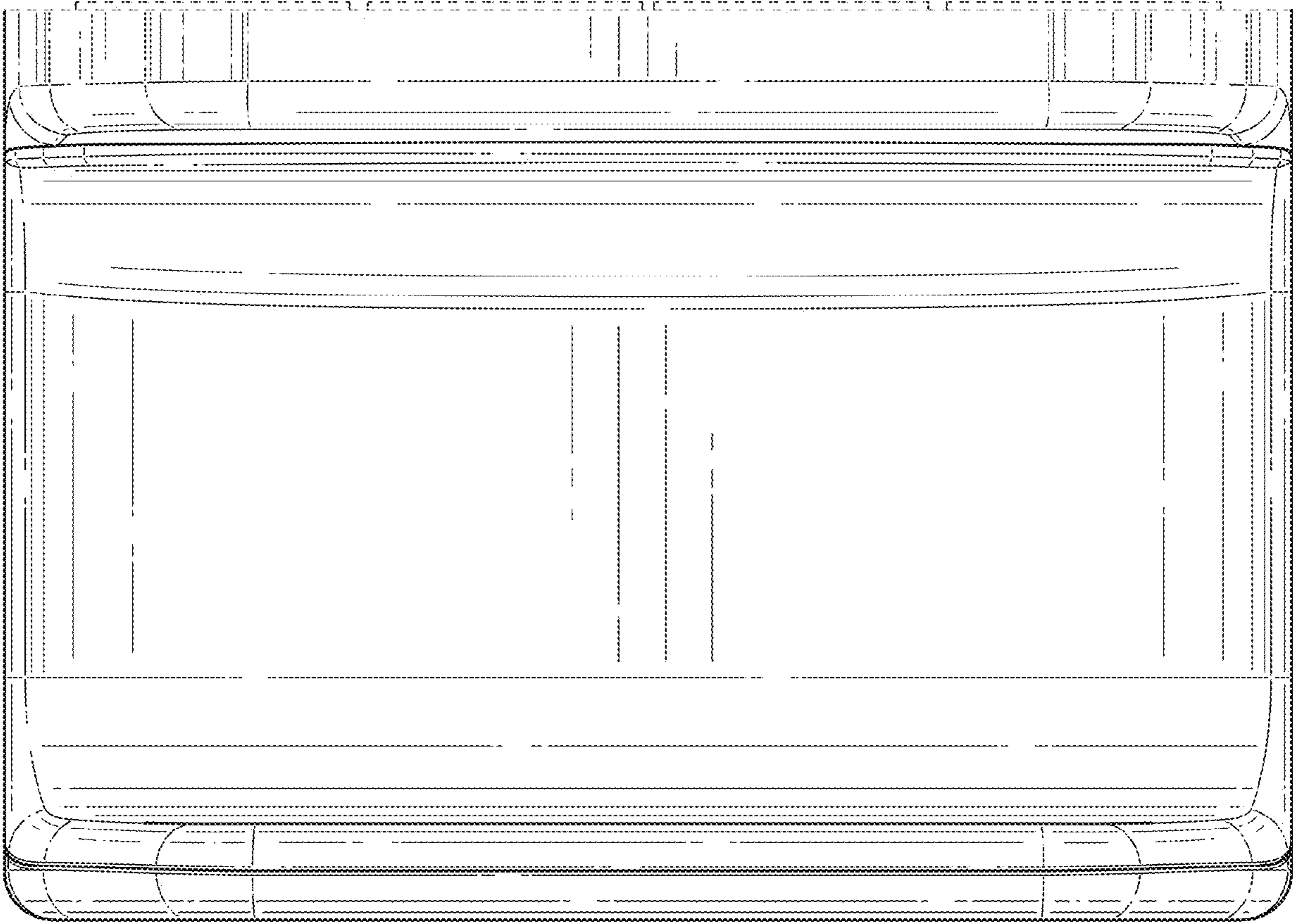


FIG. 8

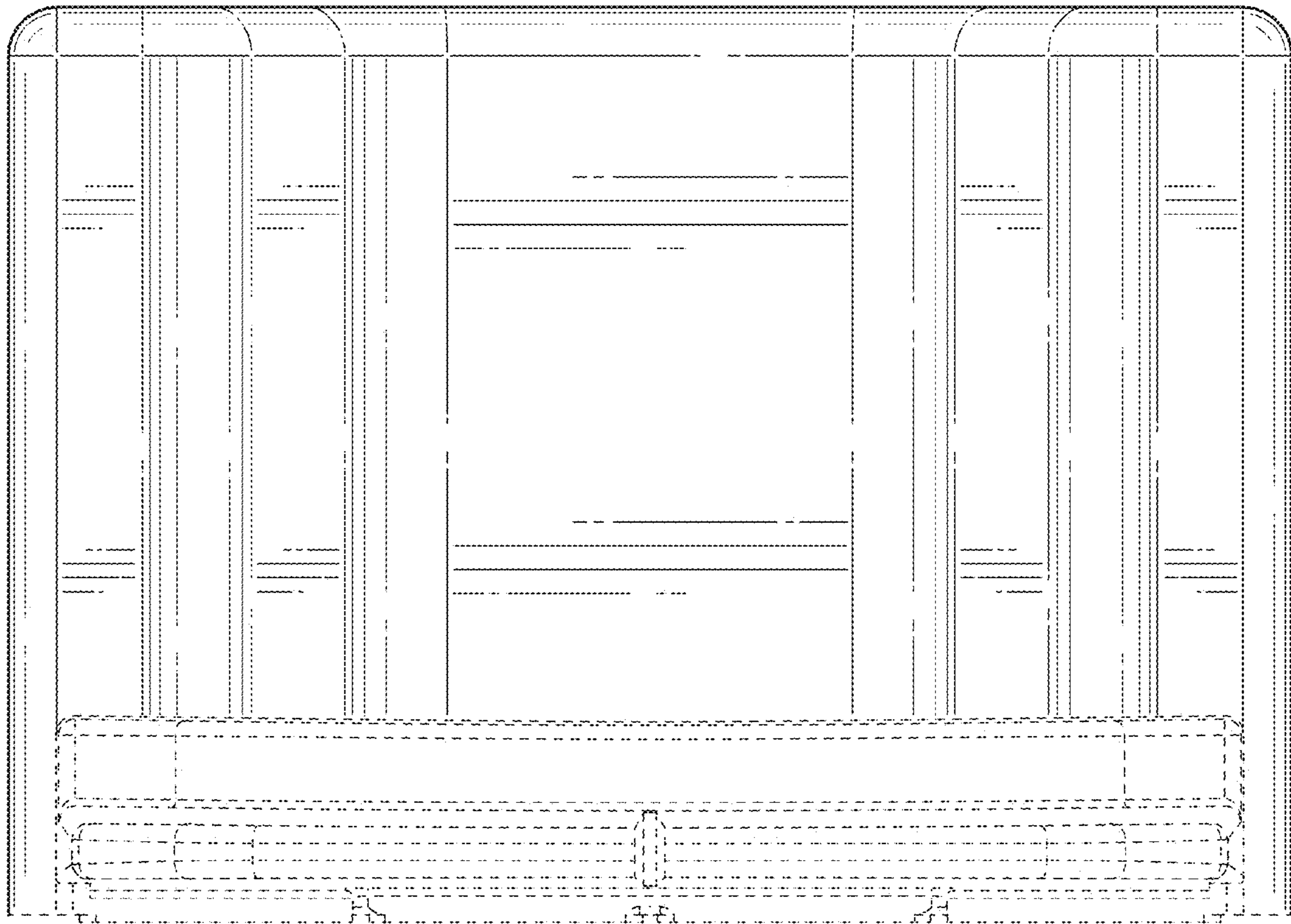


FIG. 9