



US00D981988S

(12) **United States Design Patent**
Bellham et al.

(10) **Patent No.:** **US D981,988 S**
(45) **Date of Patent:** **** *Mar. 28, 2023**

- (54) **HEADPHONES**
- (71) Applicant: **GN AUDIO A/S**, Ballerup (DK)
- (72) Inventors: **Philip Bellham**, Ballerup (DK);
Rasmus Trudslev Pedersen, Ballerup (DK); **Bill Zeng**, Ballerup (DK)
- (73) Assignee: **GN AUDIO A/S**, Ballerup (DK)
- (*) Notice: This patent is subject to a terminal disclaimer.
- (**) Term: **15 Years**

- 5,469,505 A 11/1995 Gattey et al.
- D365,559 S 12/1995 Fathi
- 5,504,812 A 4/1996 Vangarde
- D394,437 S 5/1998 Landreth et al.
- D404,734 S 1/1999 Andrea
- D410,921 S 6/1999 Luchs et al.
- 6,154,539 A 11/2000 Pitel
- D436,348 S 1/2001 McGugan
- 6,622,029 B1 9/2003 Skulley et al.
- D482,019 S 11/2003 Petersen et al.
- D488,146 S 4/2004 Minto
- D494,957 S 8/2004 Rath et al.
- D498,470 S 11/2004 Skulley et al.
- D505,413 S 5/2005 Skulley et al.
- 6,970,572 B2 11/2005 Murozaki et al.
- D514,086 S 1/2006 Skulley

(Continued)

(21) Appl. No.: **29/828,887**

(22) Filed: **Mar. 1, 2022**

Related U.S. Application Data

(63) Continuation of application No. 29/738,543, filed on Jun. 18, 2020, now Pat. No. Des. 944,765.

(30) **Foreign Application Priority Data**

Dec. 19, 2019 (EM) 007433701-1-5

(51) **LOC (14) Cl.** **14-01**

(52) **U.S. Cl.**
USPC **D14/206**; D14/226

(58) **Field of Classification Search**
USPC D14/206, 226, 225; D29/112; 2/209;
381/380-381, 374
CPC H04R 25/00; H04R 25/02; H04R 1/1066;
H04R 1/1016; H04R 5/033; H04R 5/0335; H04R 19/04; H04R 1/1008;
H04R 1/1091

See application file for complete search history.

(56) **References Cited**

U.S. PATENT DOCUMENTS

- 4,484,029 A 11/1984 Kenney
- D337,116 S 7/1993 Hattori

FOREIGN PATENT DOCUMENTS

- EM 008268031-0001 * 11/2020
- EM 008534135-0001 5/2021

(Continued)

Primary Examiner — Paula Allen Greene

(74) *Attorney, Agent, or Firm* — Hamre, Schumann, Mueller & Larson, P.C.

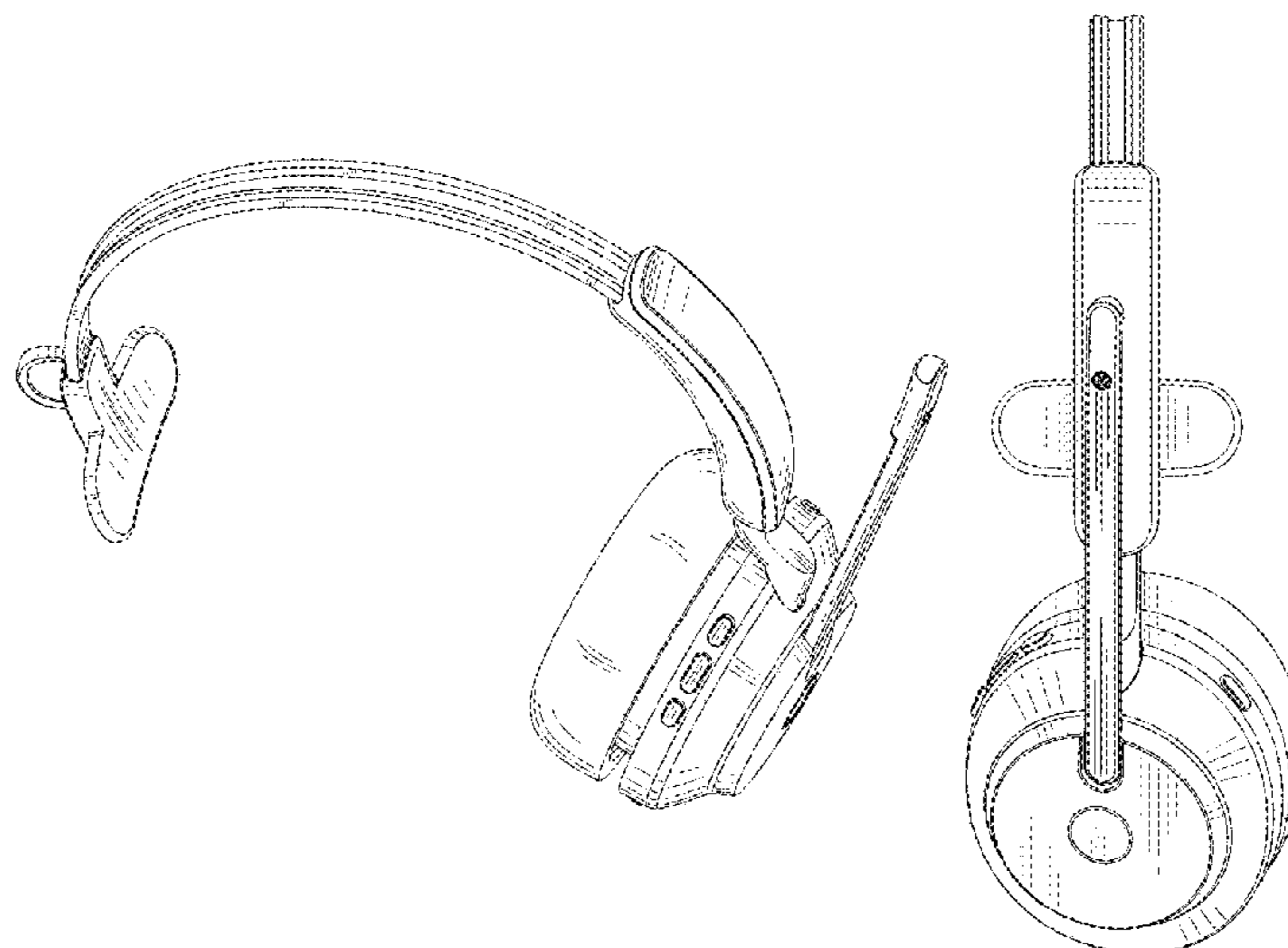
(57) **CLAIM**

The ornamental design for a headphones, as shown and described.

DESCRIPTION

FIG. 1 is a top perspective view of headphones showing the new design;
 FIG. 2 is a front view thereof;
 FIG. 3 is a back view thereof;
 FIG. 4 is a left view thereof;
 FIG. 5 is a right view thereof;
 FIG. 6 is a top view thereof; and,
 FIG. 7 is a bottom view thereof.

1 Claim, 6 Drawing Sheets



(56)

References Cited

U.S. PATENT DOCUMENTS

D517,528 S 3/2006 Skulley
 D518,479 S 4/2006 Skulley
 D531,165 S 10/2006 Rath
 D535,285 S 1/2007 Skulley
 D538,785 S 3/2007 Skulley
 D540,778 S 4/2007 Thompson
 D587,684 S 3/2009 Ham et al.
 7,519,196 B2 4/2009 Bech
 D601,543 S 10/2009 Bentley
 D602,001 S 10/2009 Bentley
 D602,906 S 10/2009 Groves et al.
 D603,370 S 11/2009 Suzuki
 D604,266 S 11/2009 Milde et al.
 D606,048 S 12/2009 Soetejo et al.
 D612,835 S 3/2010 Fang et al.
 D612,840 S 3/2010 Fang et al.
 D617,769 S 6/2010 Birger
 D625,705 S 10/2010 Ohor et al.
 D628,189 S 11/2010 Rath
 D632,668 S 2/2011 Brunner et al.
 D635,962 S 4/2011 Kelley
 D638,000 S 5/2011 Hoggarth
 D639,776 S 6/2011 Arimoto
 D641,337 S 7/2011 Brandis
 D643,405 S 8/2011 Rath
 D644,625 S 9/2011 Iseki
 D653,649 S 2/2012 Fang et al.
 D654,471 S 2/2012 Fischer
 D654,472 S 2/2012 Fischer
 D657,776 S 4/2012 Lee et al.
 D660,824 S 5/2012 Hardi et al.
 D666,168 S 8/2012 Rath
 D668,240 S 10/2012 Brandis
 D671,914 S 12/2012 Lee et al.
 D673,136 S 12/2012 Kelly et al.
 D673,524 S 1/2013 Brennwald
 D675,595 S 2/2013 Cho et al.
 D684,145 S 6/2013 Rath
 D684,559 S 6/2013 Groset et al.
 D689,843 S 9/2013 Lee
 D691,110 S 10/2013 Ham et al.
 D691,984 S 10/2013 Wang
 D692,410 S 10/2013 Brunner et al.
 D707,655 S 6/2014 Porter
 D709,860 S 7/2014 Brunner et al.
 D716,258 S 10/2014 Awiszus et al.

D716,259 S 10/2014 Awiszus et al.
 D725,630 S 3/2015 Nakagawa
 D732,002 S 6/2015 Goransson
 D760,690 S 7/2016 Gecawicz et al.
 9,426,554 B2 8/2016 Dai et al.
 D769,219 S 10/2016 Ohmachi
 D775,104 S 12/2016 Lee et al.
 D806,676 S 1/2018 Fuglsang
 D822,638 S 7/2018 Liu
 D851,628 S 6/2019 Wernblad et al.
 D851,629 S 6/2019 Summerson et al.
 D852,776 S 7/2019 Zhu et al.
 D875,073 S 2/2020 Pedersen
 D881,843 S 4/2020 Hu
 D885,364 S 5/2020 Paterson et al.
 D886,078 S 6/2020 He
 D889,402 S 7/2020 Lim
 D891,399 S 7/2020 Chen
 D893,454 S 8/2020 Li
 D895,570 S * 9/2020 Choi D14/205
 D896,203 S 9/2020 Tong
 D898,701 S 10/2020 Zhong
 D913,988 S 3/2021 Bellham
 D914,637 S * 3/2021 Shen D14/206
 D927,457 S * 8/2021 Su D14/206
 D927,458 S * 8/2021 Su D14/206
 D927,459 S * 8/2021 Su D14/206
 D944,765 S * 3/2022 Bellham D14/206
 D951,907 S * 5/2022 Bellham D14/206
 D952,599 S * 5/2022 Bellham D14/206
 D952,600 S * 5/2022 Bellham D14/206
 D956,013 S * 6/2022 Bellham D14/206
 D969,774 S * 11/2022 Bellham D14/205
 D971,875 S * 12/2022 Bellham D14/205
 2010/0040252 A1 2/2010 Thompson et al.
 2011/0135134 A1 6/2011 Essabar et al.
 2011/0306393 A1 12/2011 Goldman et al.
 2012/0163616 A1 6/2012 Birch
 2016/0198254 A1 7/2016 Gecawicz et al.
 2020/0288234 A1 9/2020 Fletcher et al.

FOREIGN PATENT DOCUMENTS

EM 008703508-0002 9/2021
 EM 008756761-0001 11/2021
 EM 008867790-0001 * 2/2022
 GB 9007 481221-0005 1/2020
 GB 9007481221-0005 * 1/2020

* cited by examiner

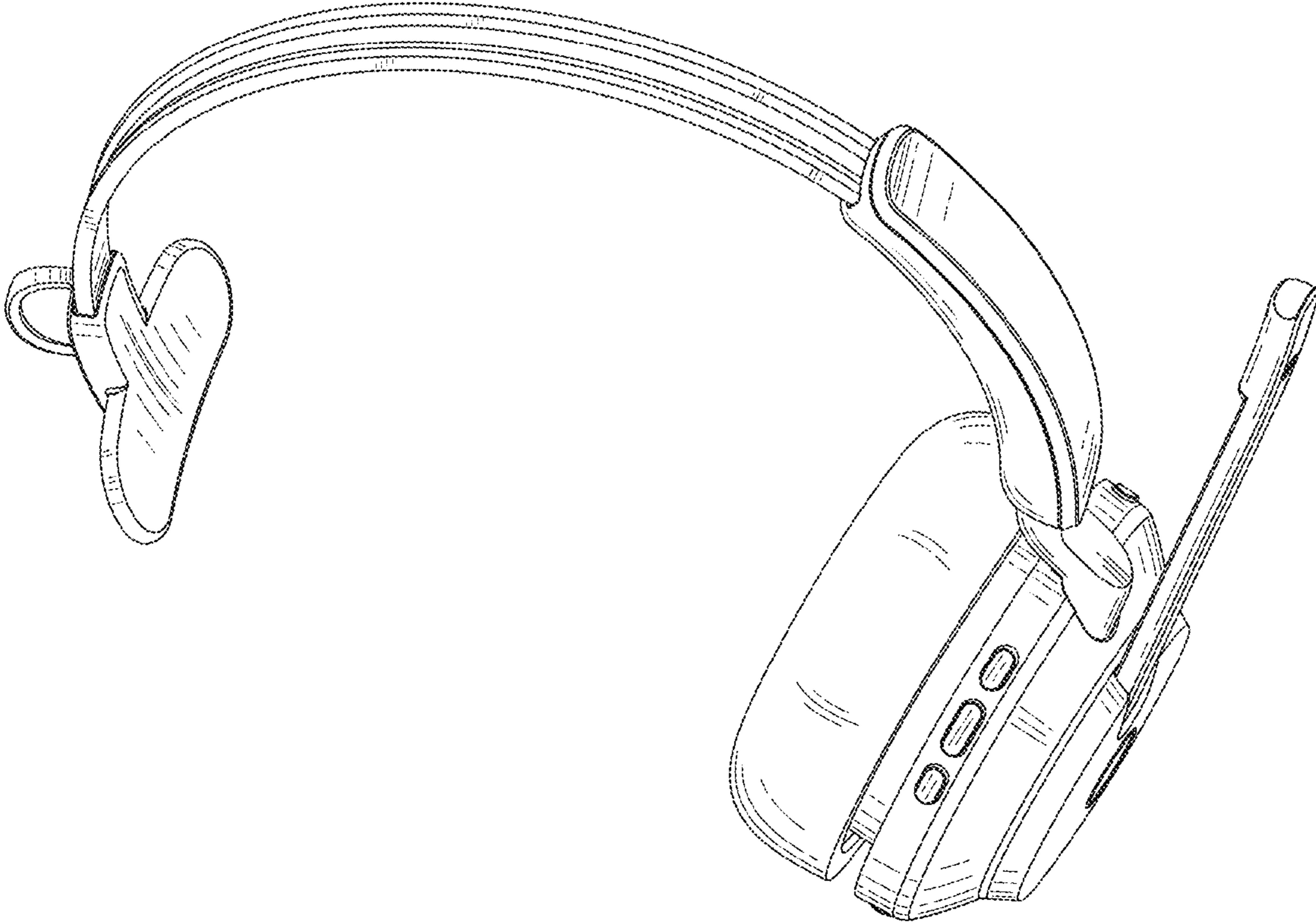


FIG. 1



FIG. 2



FIG. 3

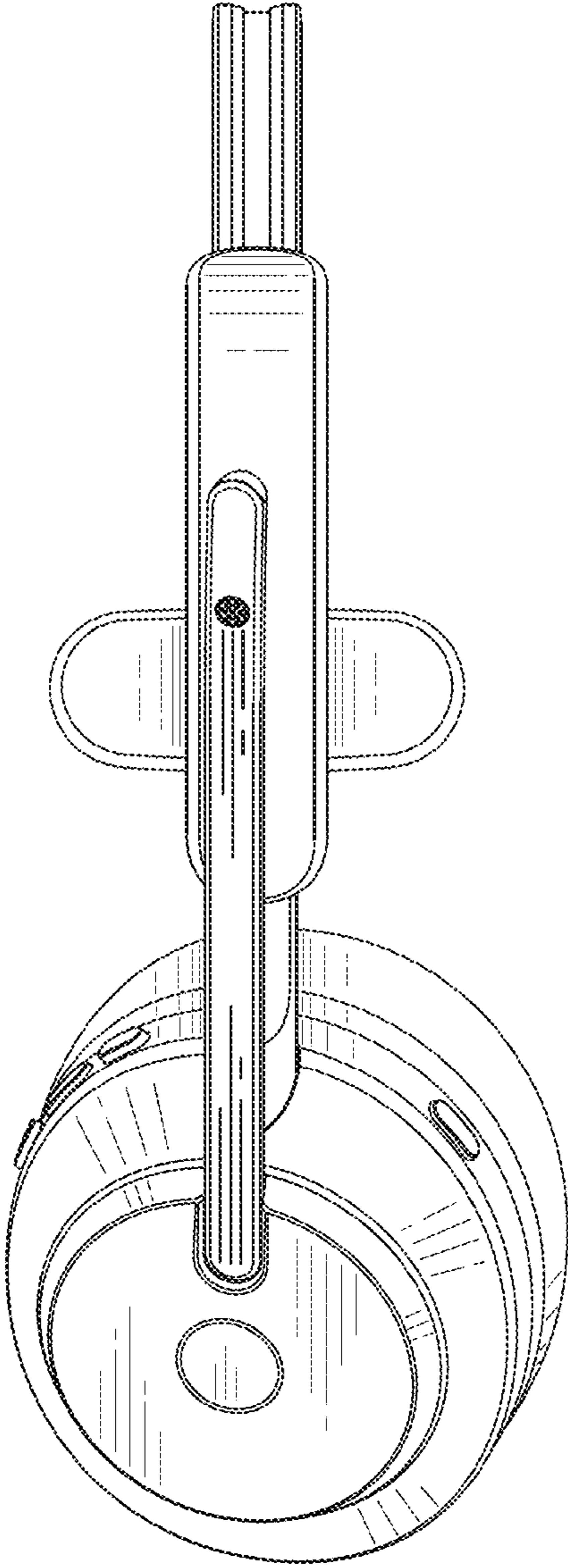


FIG. 4

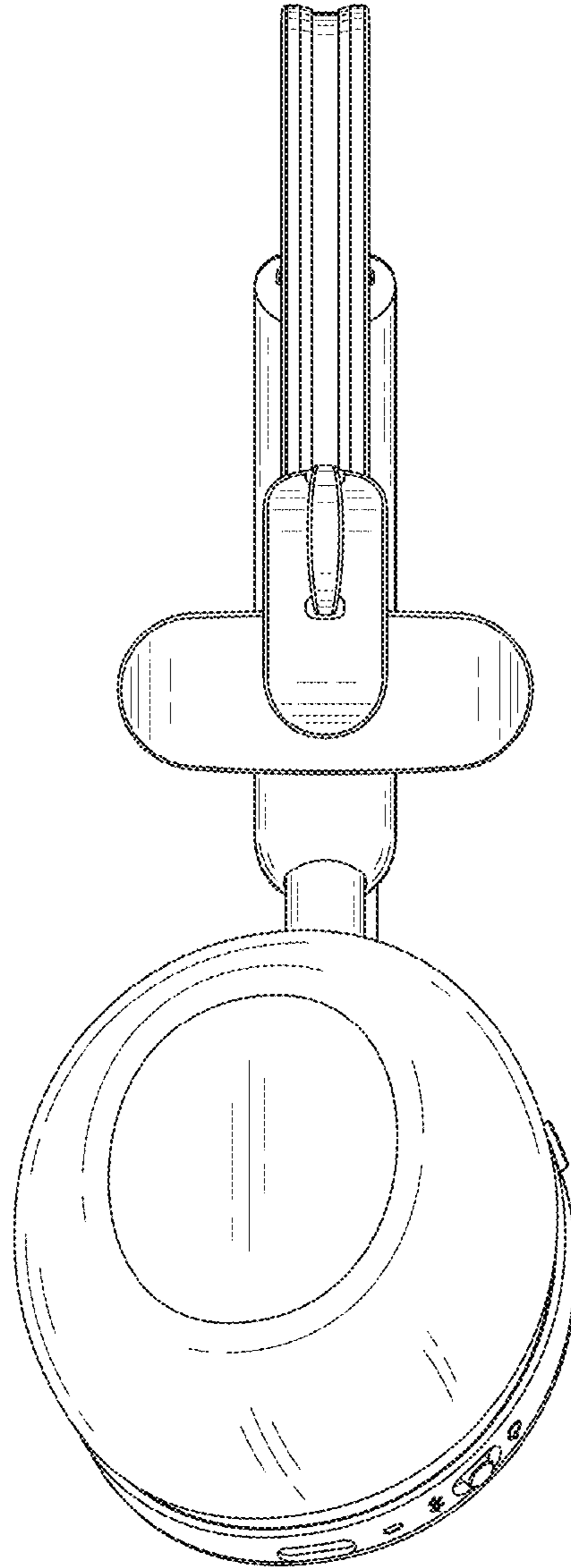


FIG. 5

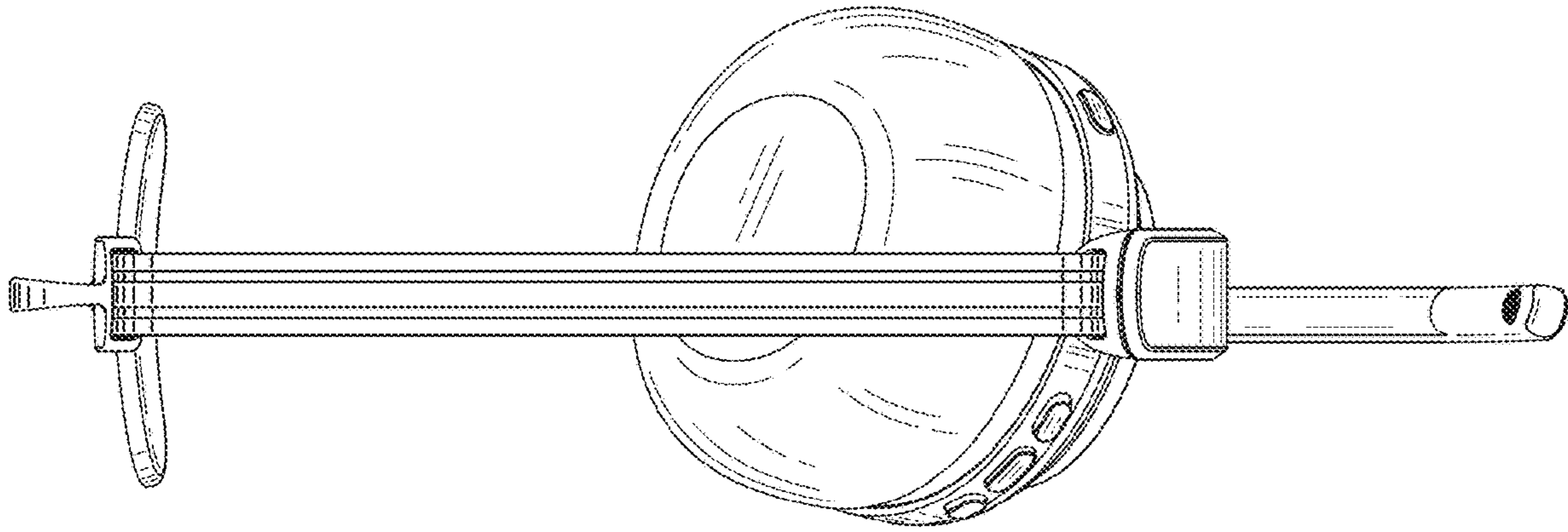


FIG. 6

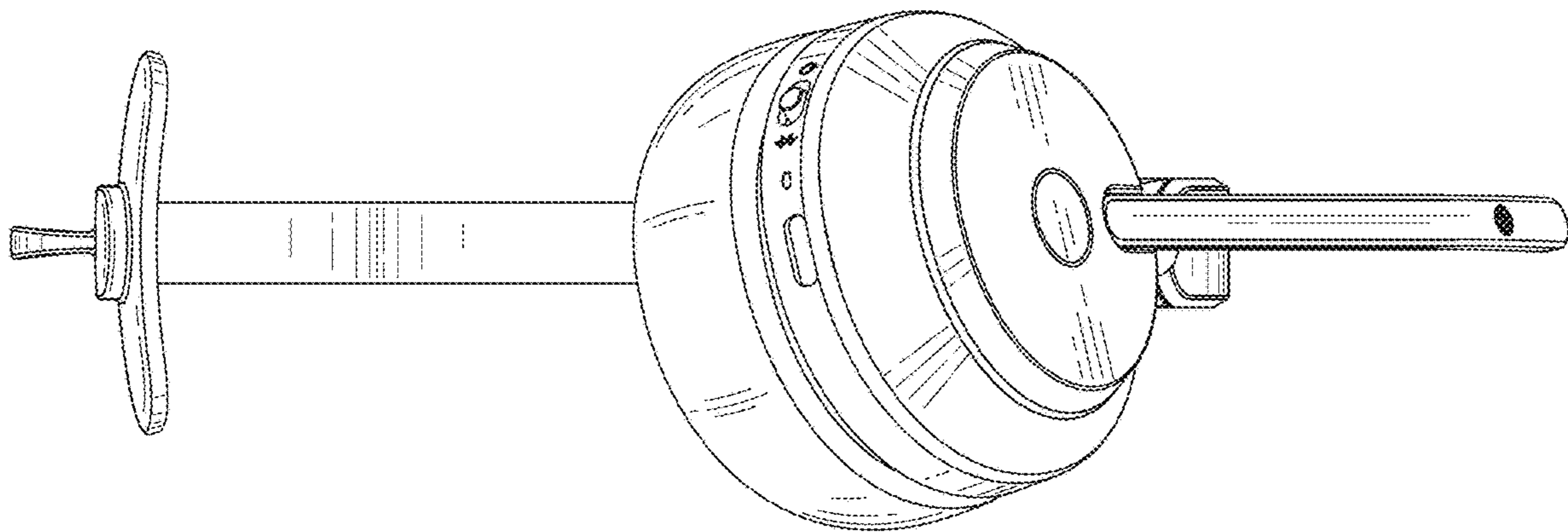


FIG. 7