



US00D981985S

(12) **United States Design Patent**
Heil et al.

(10) **Patent No.:** **US D981,985 S**

(45) **Date of Patent:** **** Mar. 28, 2023**

(54) **SOUND AMPLIFIER**

(56)

References Cited

(71) Applicant: **L-ACOUSTICS**, Marcoussis (FR)

U.S. PATENT DOCUMENTS

(72) Inventors: **Christian Heil**, Londres (GB); **Genio Kronauer**, Sermaise (FR); **Régis Fouche**, Paris (FR)

D315,722 S *	3/1991	Imamura	D14/355
D376,360 S *	12/1996	Teulie	D14/188
D404,396 S *	1/1999	Mackie	D14/188
D431,239 S *	9/2000	Sasago	D14/313
D536,674 S *	2/2007	Millar	D13/184
D560,689 S *	1/2008	Cho	D14/188
D598,892 S *	8/2009	Wada	D14/188
D620,028 S *	7/2010	Kim	D14/125
D662,910 S *	7/2012	Warden	D14/188
D776,078 S *	1/2017	Williamson	D14/188
D784,288 S *	4/2017	Teulie	D14/188

(**) Term: **15 Years**

(21) Appl. No.: **35/512,732**

(22) Filed: **Sep. 27, 2021**

(80) **Hague Agreement Data**

Int. Filing Date: **Sep. 27, 2021**

Int. Reg. No.: **DM/216629**

Int. Reg. Date: **Sep. 27, 2021**

Int. Reg. Pub. Date: **Oct. 15, 2021**

(51) **LOC (14) Cl.** **14-03**

(52) **U.S. Cl.**
USPC **D14/188**

(58) **Field of Classification Search**

USPC D14/167, 168, 170–172, 188, 194–197,
D14/203.1–203.8, 204, 209.1, 210–217,
D14/219, 221, 222, 224, 239, 496, 313
CPC B60R 11/0217; G06F 1/1688; G10K 9/22;
G10K 11/004; H03F 1/327; H04M 1/03;
H04M 1/035; H04N 5/642; H04N
21/4852; H04R 1/02; H04R 1/06; H04R
1/021; H04R 1/025; H04R 1/026; H04R
1/028; H04R 1/105; H04R 1/323; H04R
1/403; H04R 1/2803; H04R 1/2834;
H04R 5/02; H04R 7/20; H04R 9/06;
H04R 9/025; H04R 2201/021; H04R
2400/00; H04R 2400/07; H04R 2499/11;
H04R 2499/13; H04R 2499/15; H04S
3/00; H04S 7/30

See application file for complete search history.

* cited by examiner

Primary Examiner — Keli L Hill

(57)

CLAIM

The ornamental design for a sound amplifier, as shown and described.

DESCRIPTION

1. Sound amplifier

1.1 : Front

1.2 : Perspective

1.3 : Top

1.4 : Bottom

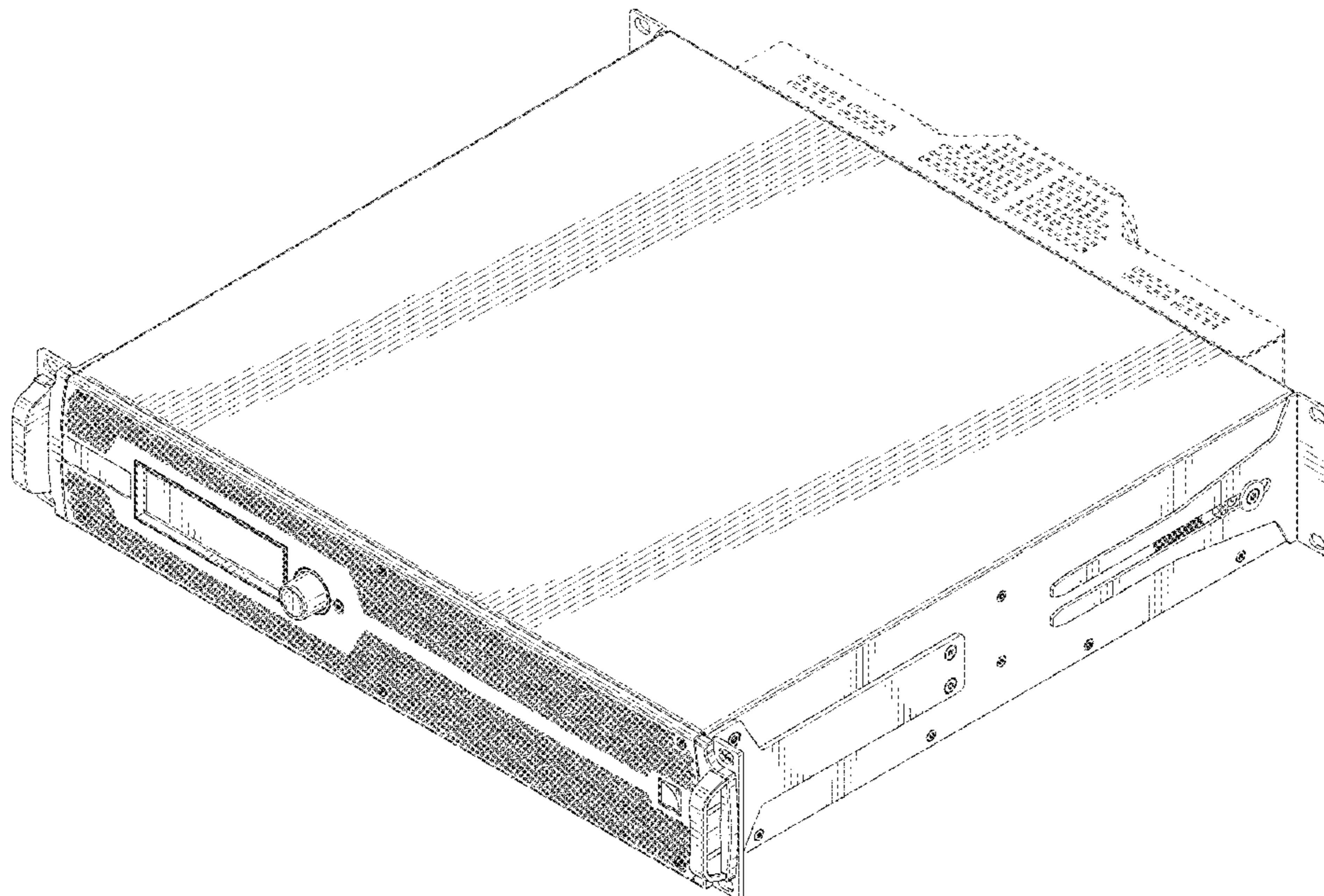
1.5 : Right

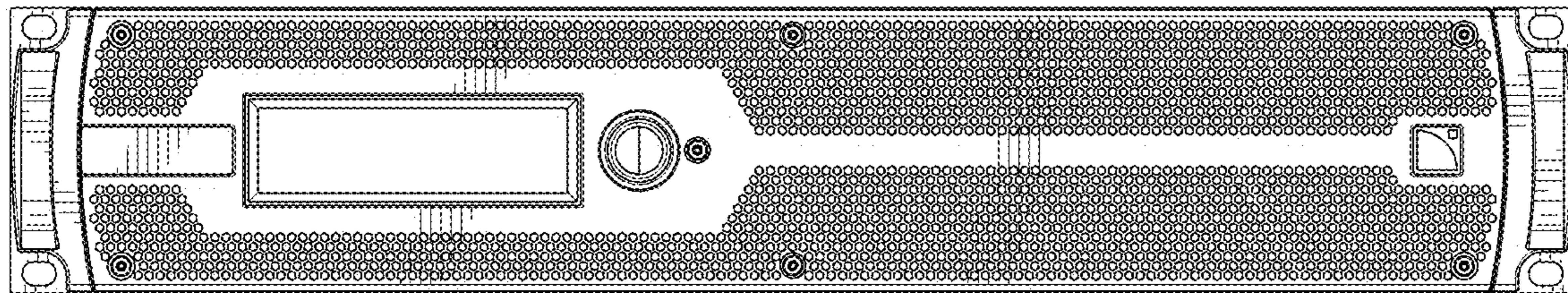
1.6 : Left

Portions shown in broken lines illustrate environment and form no part of the claimed design.

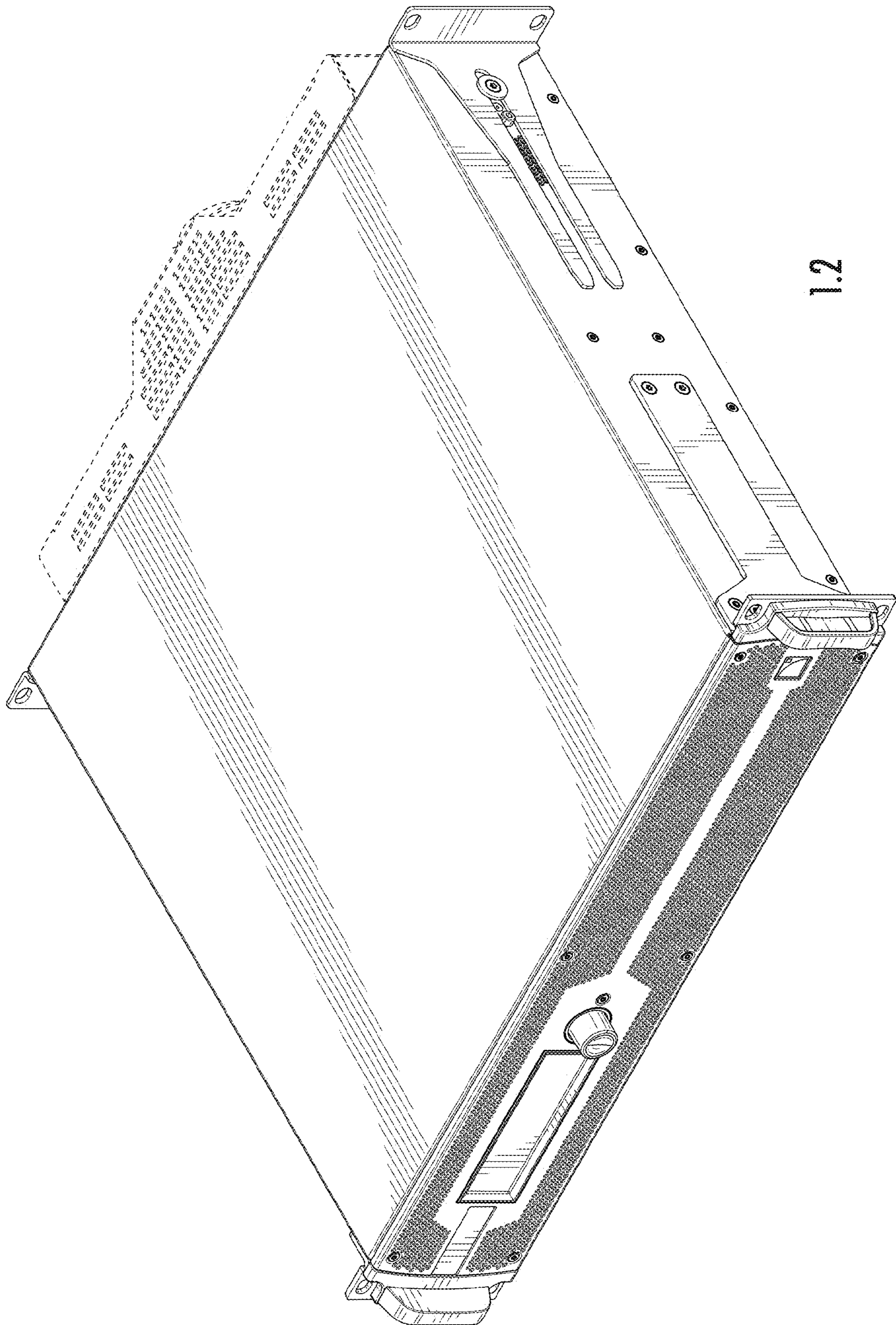
The broken lines shown are included for the purpose of illustrating portions of the sound amplifier that form no part of the claim.

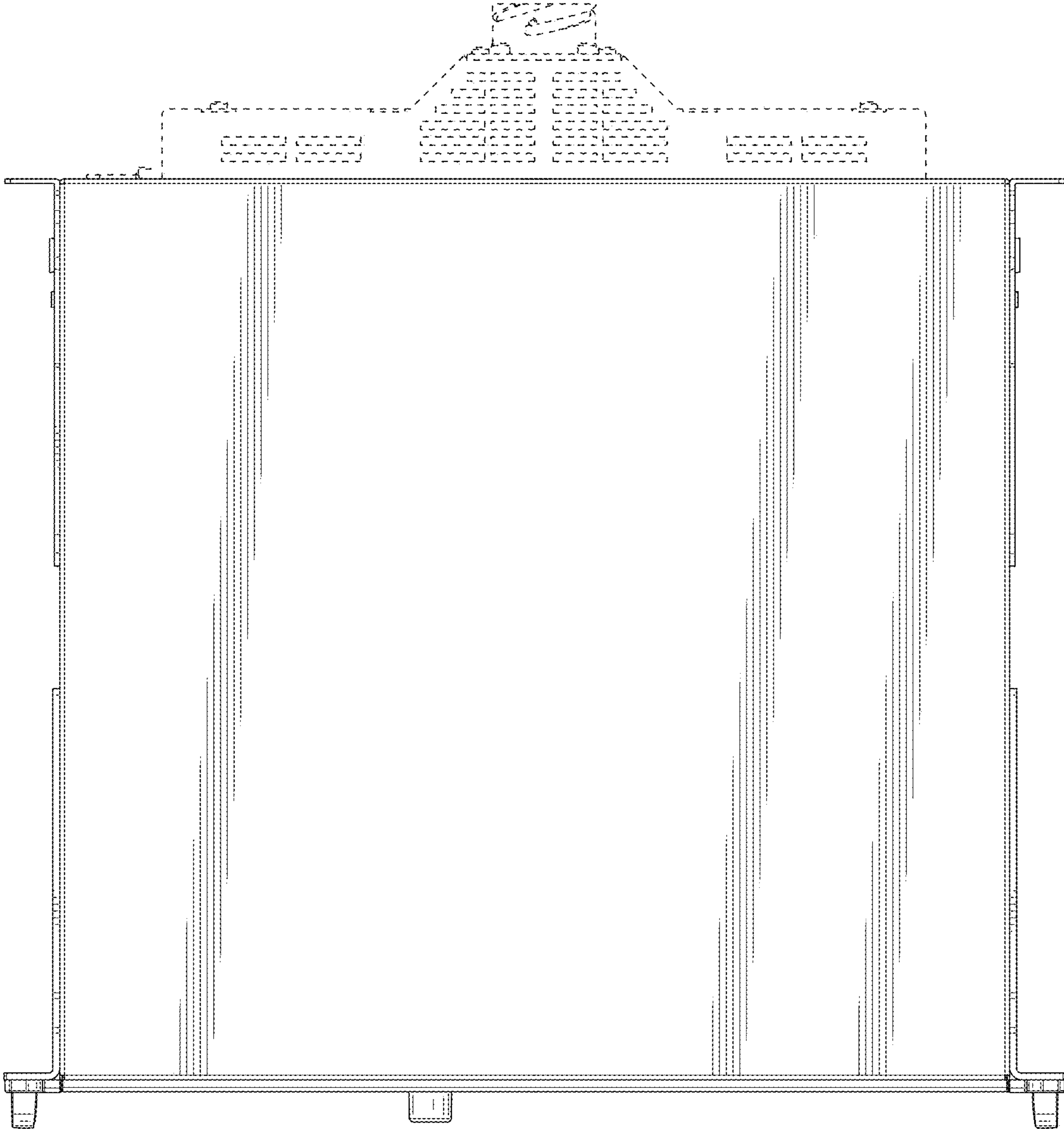
1 Claim, 6 Drawing Sheets



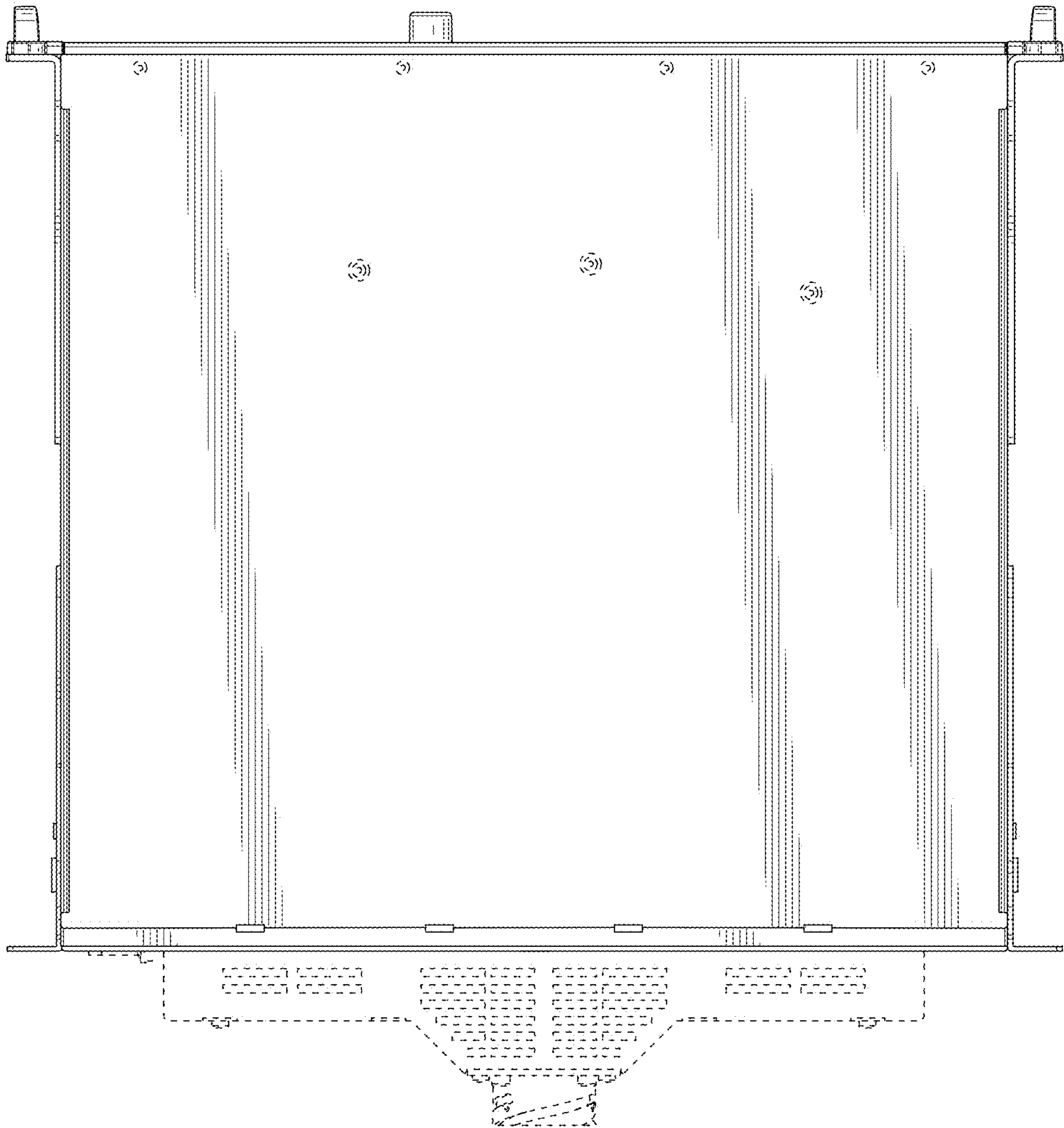


1.1

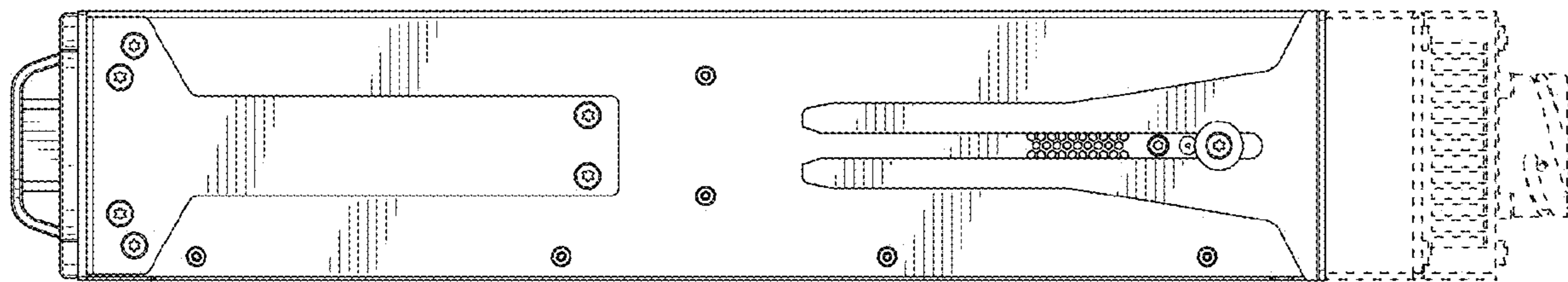




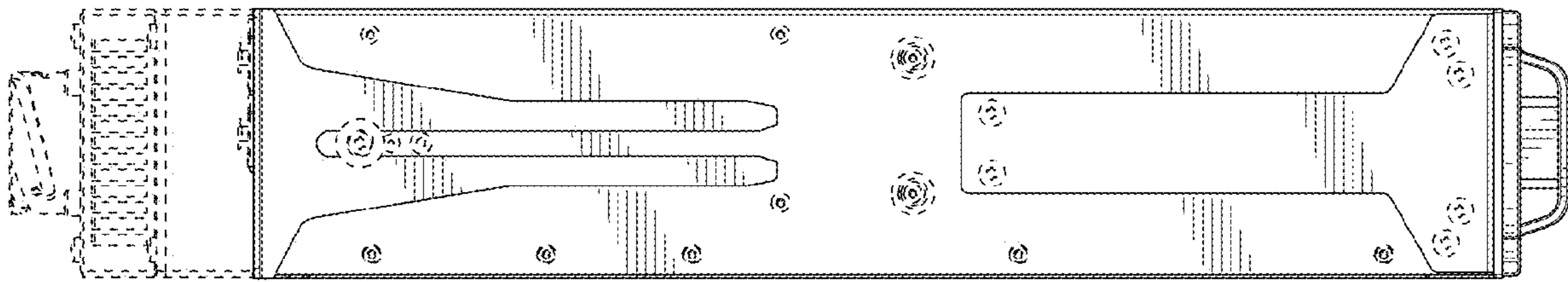
1.3



1.4



1.5



1.6