



US00D981980S

(12) **United States Design Patent**  
**Tsai**

(10) **Patent No.:** **US D981,980 S**  
(45) **Date of Patent:** **\*\* Mar. 28, 2023**

- (54) **MOBILE PHONE**
- (71) Applicant: **HMD Global Oy**, Espoo (FI)
- (72) Inventor: **Ping-Chu Tsai**, Taipei (TW)
- (73) Assignee: **HMD Global Oy**, Espoo (FI)
- (\*\*) Term: **15 Years**
- (21) Appl. No.: **29/814,653**
- (22) Filed: **Nov. 8, 2021**
- (51) **LOC (14) Cl.** ..... **14-03**
- (52) **U.S. Cl.**  
USPC ..... **D14/138 G**
- (58) **Field of Classification Search**  
USPC ..... D14/496, 138 R, 138 AA, 138 AB,  
D14/138 AC, 138 AD, 138 C, 138 G,  
D14/203.1, 203.3, 203.4, 203.7, 299;  
D13/103, 107; D10/50  
CPC ..... G06F 3/041; G06F 3/0412; G06F 3/0488;  
G06F 3/04883; G06F 1/1613; G06F  
1/1686; G06F 1/1626; G06F 2200/1633;  
H04M 1/0283; H04M 1/0279; H04M  
1/0202; H04M 1/0266; H04M 1/027  
See application file for complete search history.

(56) **References Cited**

**U.S. PATENT DOCUMENTS**

- D697,887 S \* 1/2014 Yin ..... D14/138 G
- D716,279 S \* 10/2014 Ou ..... D14/248
- D815,633 S \* 4/2018 Akana ..... D14/341
- D818,498 S \* 5/2018 Akana ..... D14/511

(Continued)

**FOREIGN PATENT DOCUMENTS**

- CN 305758790 \* 5/2020
- CN 307150801 \* 3/2022

**OTHER PUBLICATIONS**

Nokia 6.2, www.amazon.com, Oct. 14, 2019. <https://www.amazon.com/Nokia-6-2-Unlocked-Smartphone-T-Mobile/dp/B07XW28MHX?th=1> (Year: 2019).\*

(Continued)

Primary Examiner — Llorelys Martinez  
Assistant Examiner — Kwabena A. Ankobiah  
(74) Attorney, Agent, or Firm — ScienBiziP, P.C.

(57) **CLAIM**

The ornamental design for a mobile phone, as shown and described.

**DESCRIPTION**

FIG. 1 is a front perspective view of a mobile phone showing our design.

FIG. 2 is a rear perspective view of the mobile phone in FIG. 1.

FIG. 3 is a front elevation view of the mobile phone in FIG. 1.

FIG. 4 is a rear elevation view of the mobile phone in FIG. 1.

FIG. 5 is a left side elevation view of the mobile phone in FIG. 1.

FIG. 6 is a right side elevation view of the mobile phone in FIG. 1.

FIG. 7 is a top plan view of the mobile phone in FIG. 1.

FIG. 8 is a bottom plan view of the mobile phone in FIG. 1.

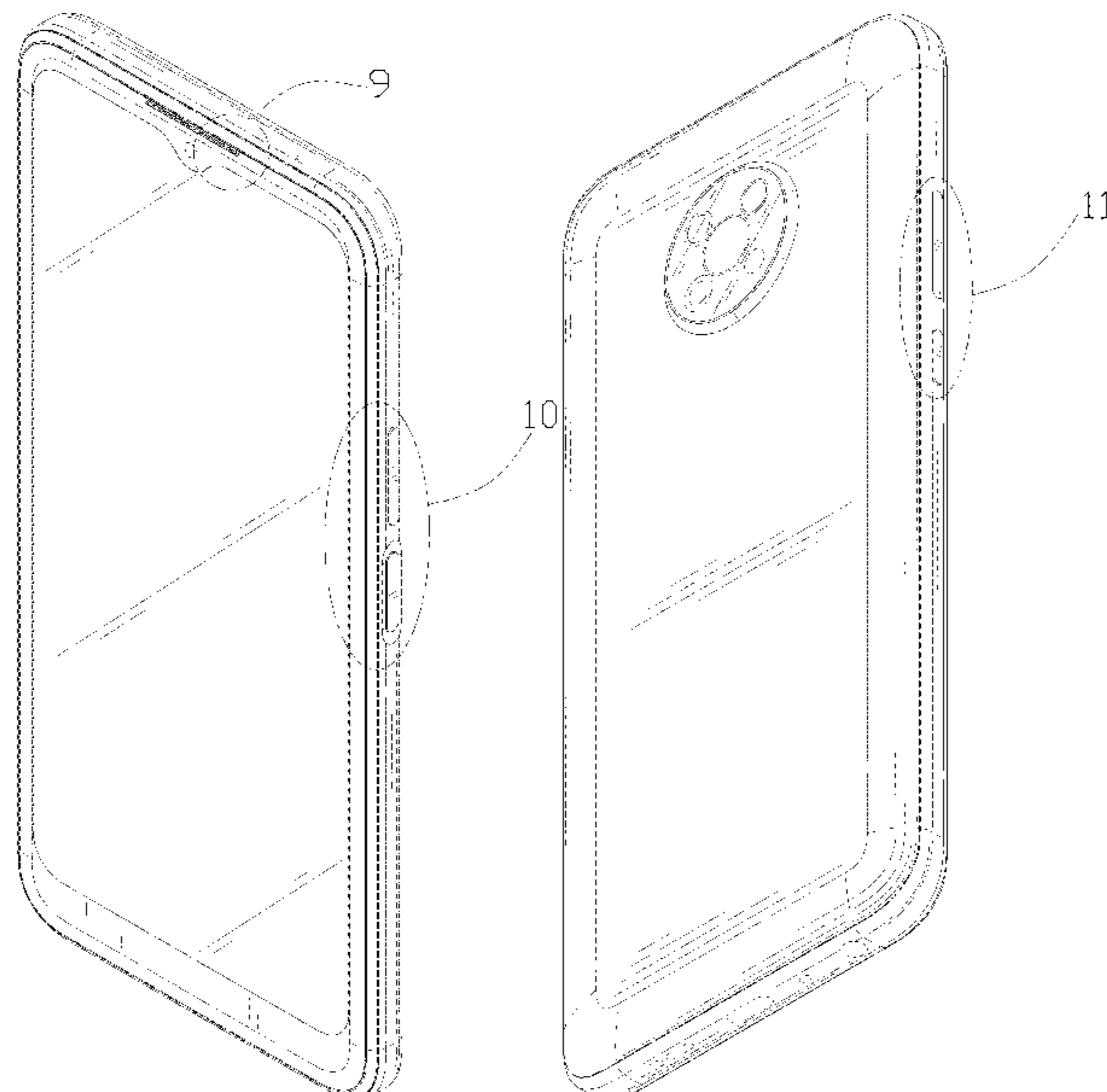
FIG. 9 is an enlarged view thereof, taken from portion 9 in FIG. 1.

FIG. 10 is an enlarged view thereof, taken from portion 10 in FIG. 1; and,

FIG. 11 is an enlarged view thereof, taken from portion 11 in FIG. 2.

The broken lines in the drawings illustrate portions of the mobile phone that form no part of the claimed design. The dot-dash broken lines in FIGS. 1, 2, and 9-11 are included to show a partially enlarged view only and form no part of the claimed design.

**1 Claim, 11 Drawing Sheets**



(56)

**References Cited**

U.S. PATENT DOCUMENTS

D829,679 S \* 10/2018 Cho ..... D14/138 G  
D831,015 S \* 10/2018 Choe ..... D14/248  
D898,692 S \* 10/2020 Lee ..... D14/138 AD  
D929,357 S \* 8/2021 Guo ..... D14/138 G  
D947,804 S \* 4/2022 McPhail ..... D14/138 AA  
D965,548 S \* 10/2022 Ma ..... D14/138 C  
D967,788 S \* 10/2022 Li ..... D14/138 G  
D967,790 S \* 10/2022 Hung ..... D14/138 G

OTHER PUBLICATIONS

Nokia 3.4 Review, [www.oispice.com](http://www.oispice.com), Sep. 10, 2020. <https://www.oispice.com/nokia-3-4-review-pros-and-cons/> (Year: 2020).\*

Nokia G10, [www.amazon.com](http://www.amazon.com), Jul. 14, 2021. <https://www.amazon.com/Nokia-Android-Unlocked-Smartphone-6-52-Inch/dp/B093QPJSKJ?th=1> (Year: 2021).\*

Nokia announces G300, [www.gsmarena.com](http://www.gsmarena.com), Oct. 12, 2021. [https://www.gsmarena.com/nokia\\_announces\\_g300\\_with\\_5g\\_for\\_200-news-51376.php](https://www.gsmarena.com/nokia_announces_g300_with_5g_for_200-news-51376.php) (Year: 2021).\*

\* cited by examiner

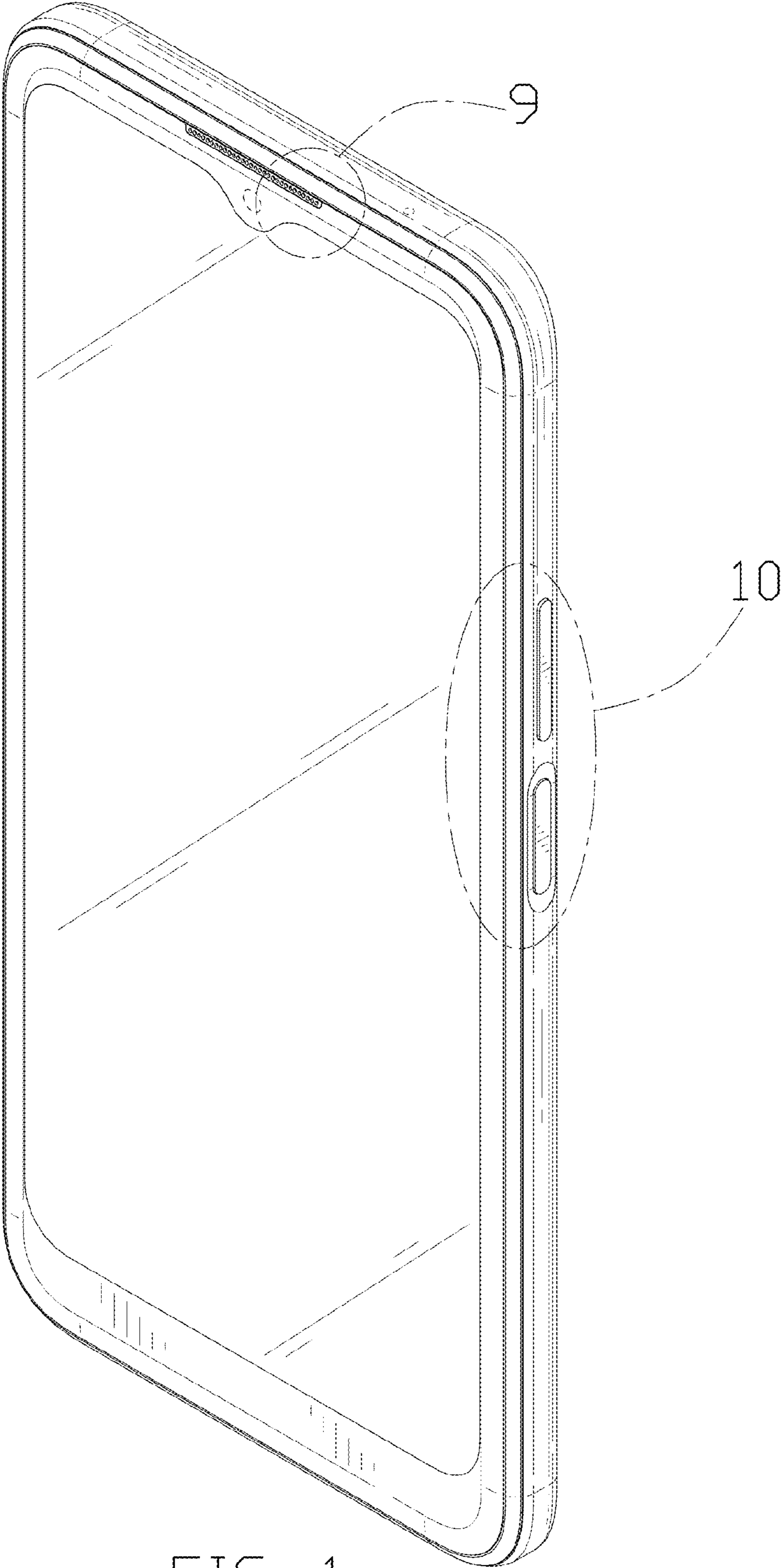


FIG. 1

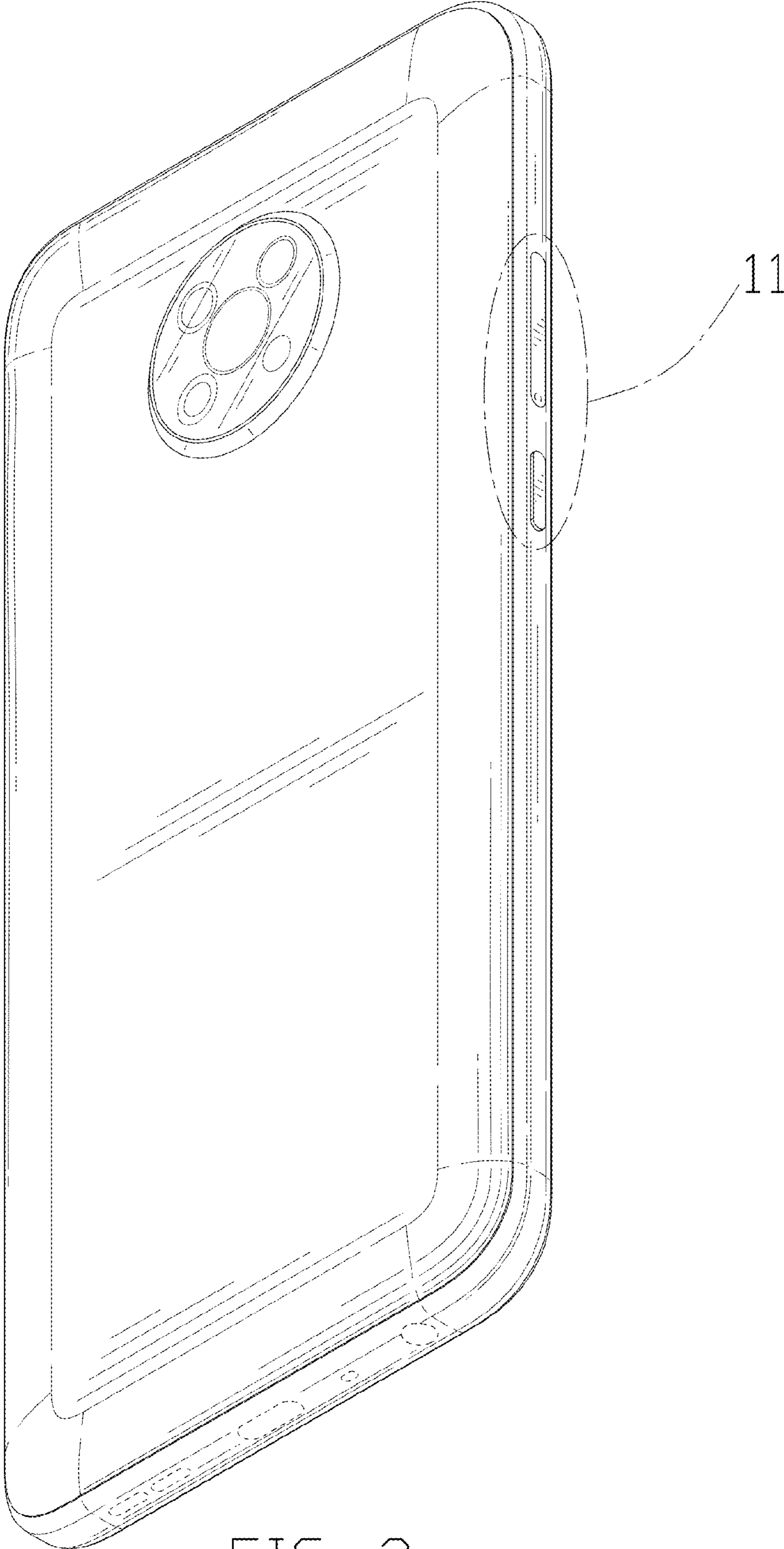


FIG. 2

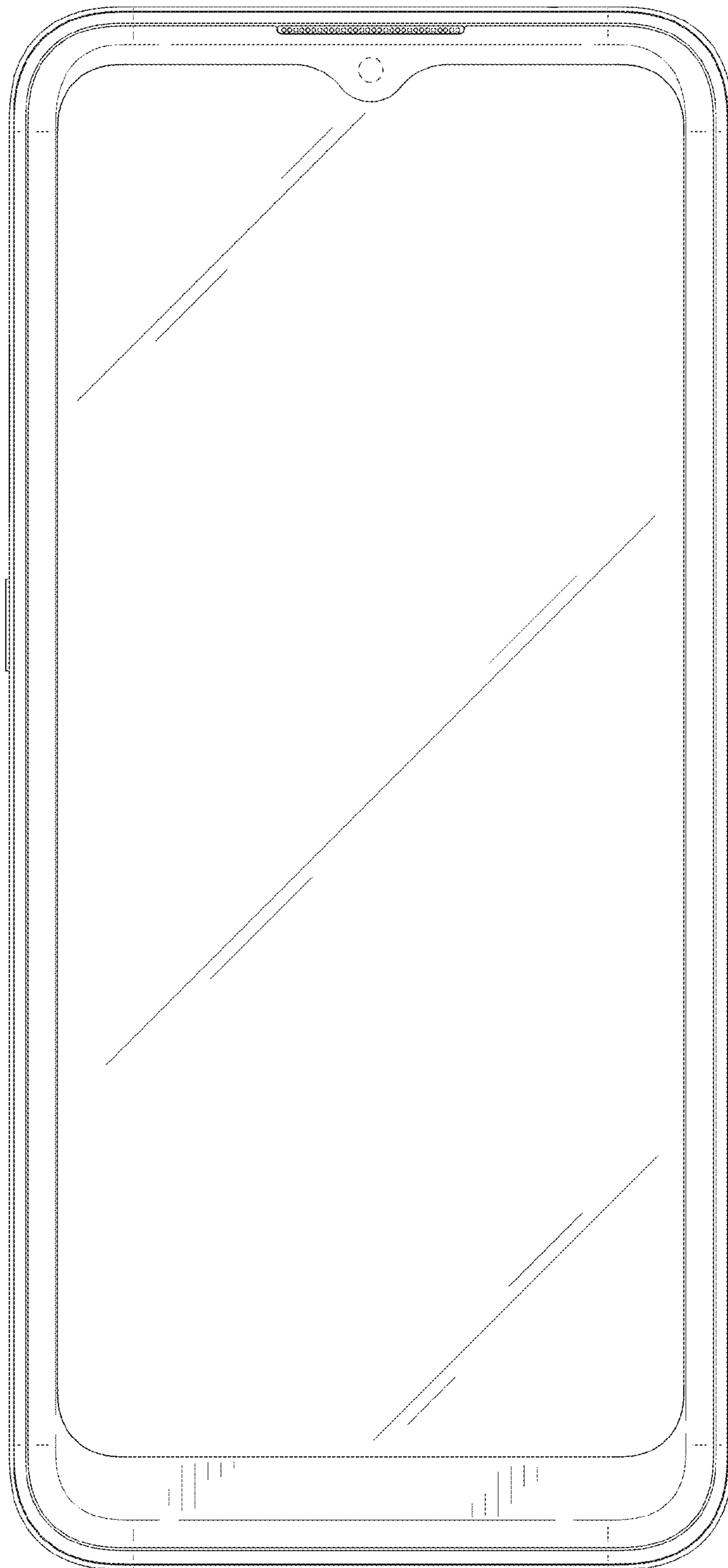


FIG. 3

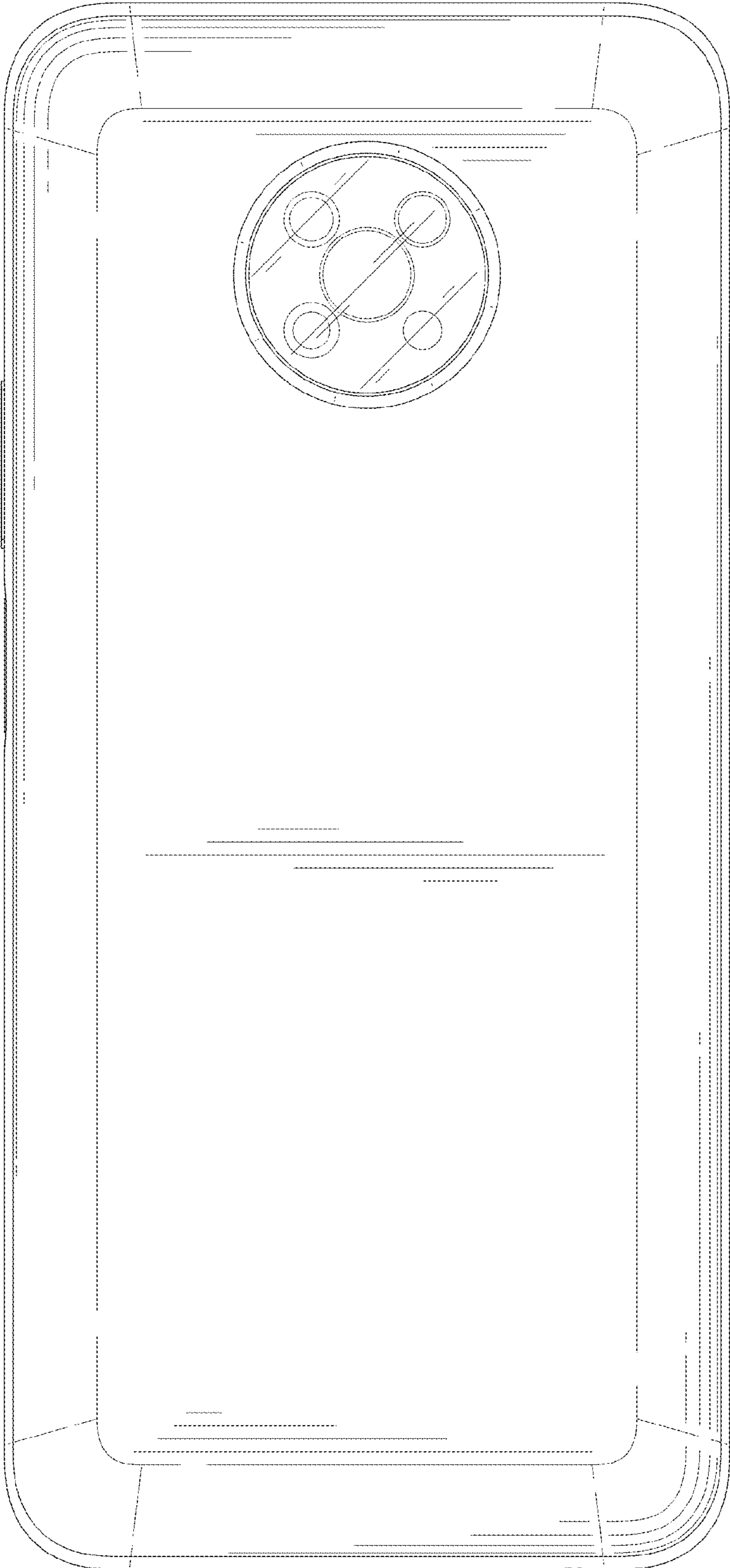


FIG. 4

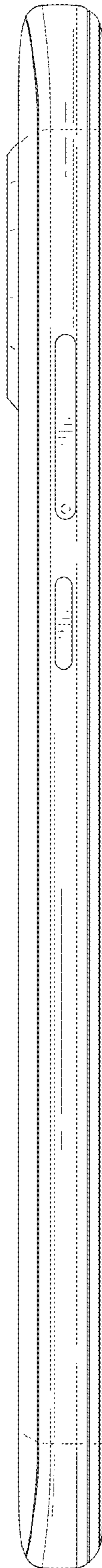


FIG. 5

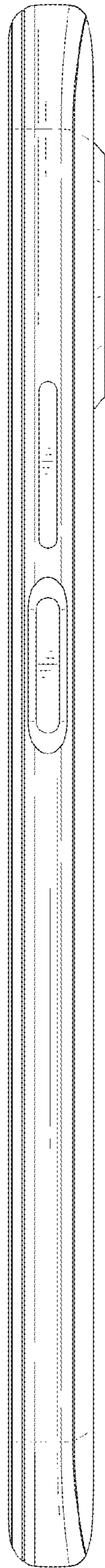


FIG. 6



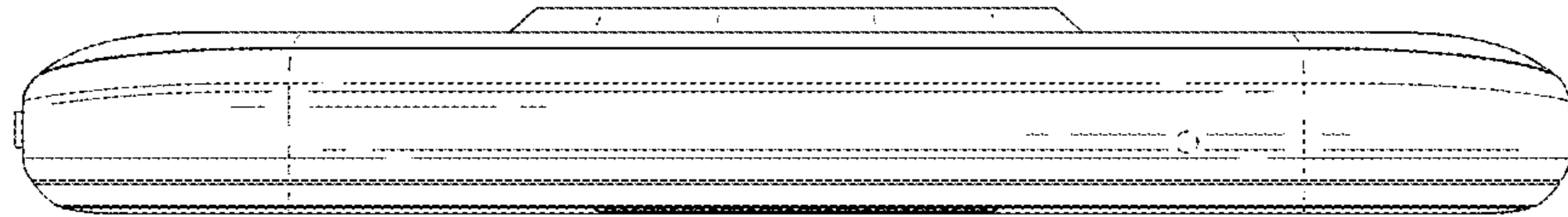


FIG. 7

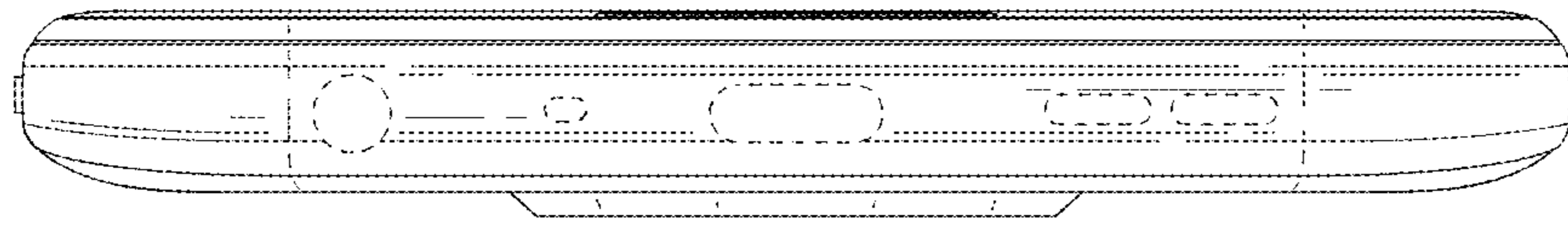


FIG. 8

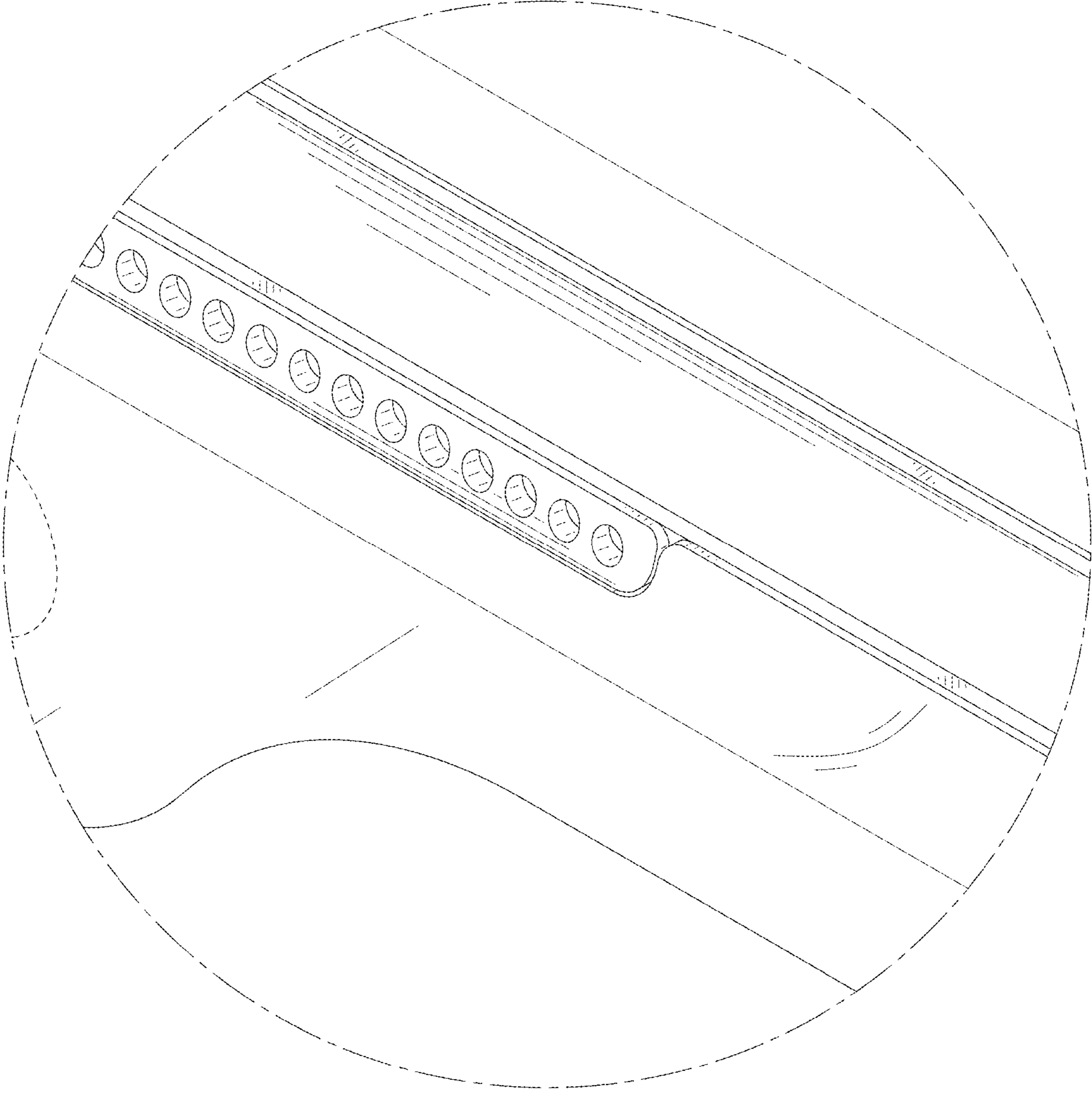


FIG. 9

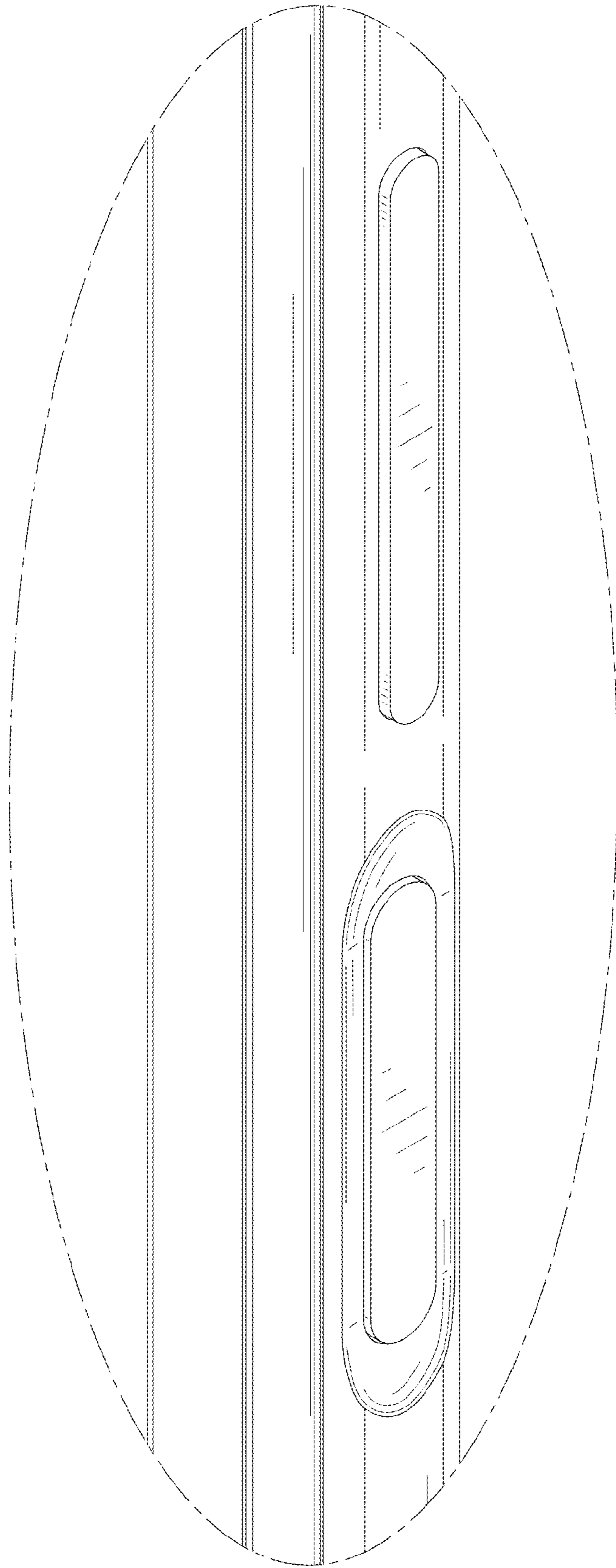


FIG. 10

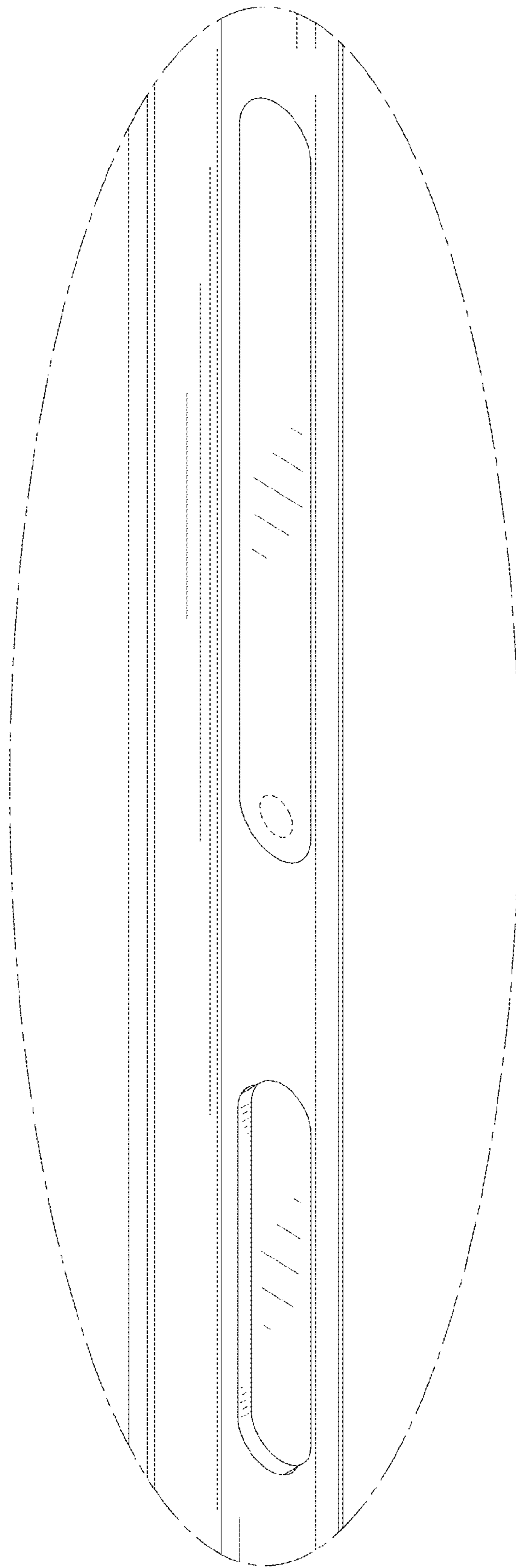


FIG. 11