



US00D981976S

(12) **United States Design Patent**
Wang

(10) **Patent No.:** **US D981,976 S**

(45) **Date of Patent:** **** Mar. 28, 2023**

- (54) **HANDHELD TRANSCEIVER**
- (71) Applicant: **AUCTUS TECHNOLOGIES CO., LTD.**, Guangdong (CN)
- (72) Inventor: **Yipei Wang**, Guangdong (CN)
- (73) Assignee: **AUCTUS TECHNOLOGIES CO., LTD.**, Shenzhen (CN)

D717,258 S *	11/2014	Garra	D14/137
D717,259 S *	11/2014	Ooi	D14/137
D721,050 S *	1/2015	Kaner	D14/137
D749,533 S *	2/2016	Sakata	D14/137
D752,536 S *	3/2016	Ooi	D14/137
D752,537 S *	3/2016	Oikawa	D14/137
D954,012 S *	6/2022	Hong	D14/137
D956,711 S *	7/2022	Hong	D14/137
D958,766 S *	7/2022	Woo	D14/137

* cited by examiner

- (**) Term: **15 Years**
- (21) Appl. No.: **29/800,221**
- (22) Filed: **Jul. 20, 2021**

Primary Examiner — Bridget L Eland

(30) **Foreign Application Priority Data**

Apr. 30, 2021 (CN) 202130260156.4

- (51) **LOC (14) Cl.** **14-03**
- (52) **U.S. Cl.**
USPC **D14/137**
- (58) **Field of Classification Search**
USPC D14/137, 138 R, 138 AA, 138 AD;
D10/104.1
CPC .. H04B 1/3833; H04B 1/3827; H04B 1/3855;
H04B 2001/3861; H04M 1/0202; H04M
1/03; H04M 1/035
See application file for complete search history.

(57) **CLAIM**

The ornamental design for a handheld transceiver, as shown and described.

DESCRIPTION

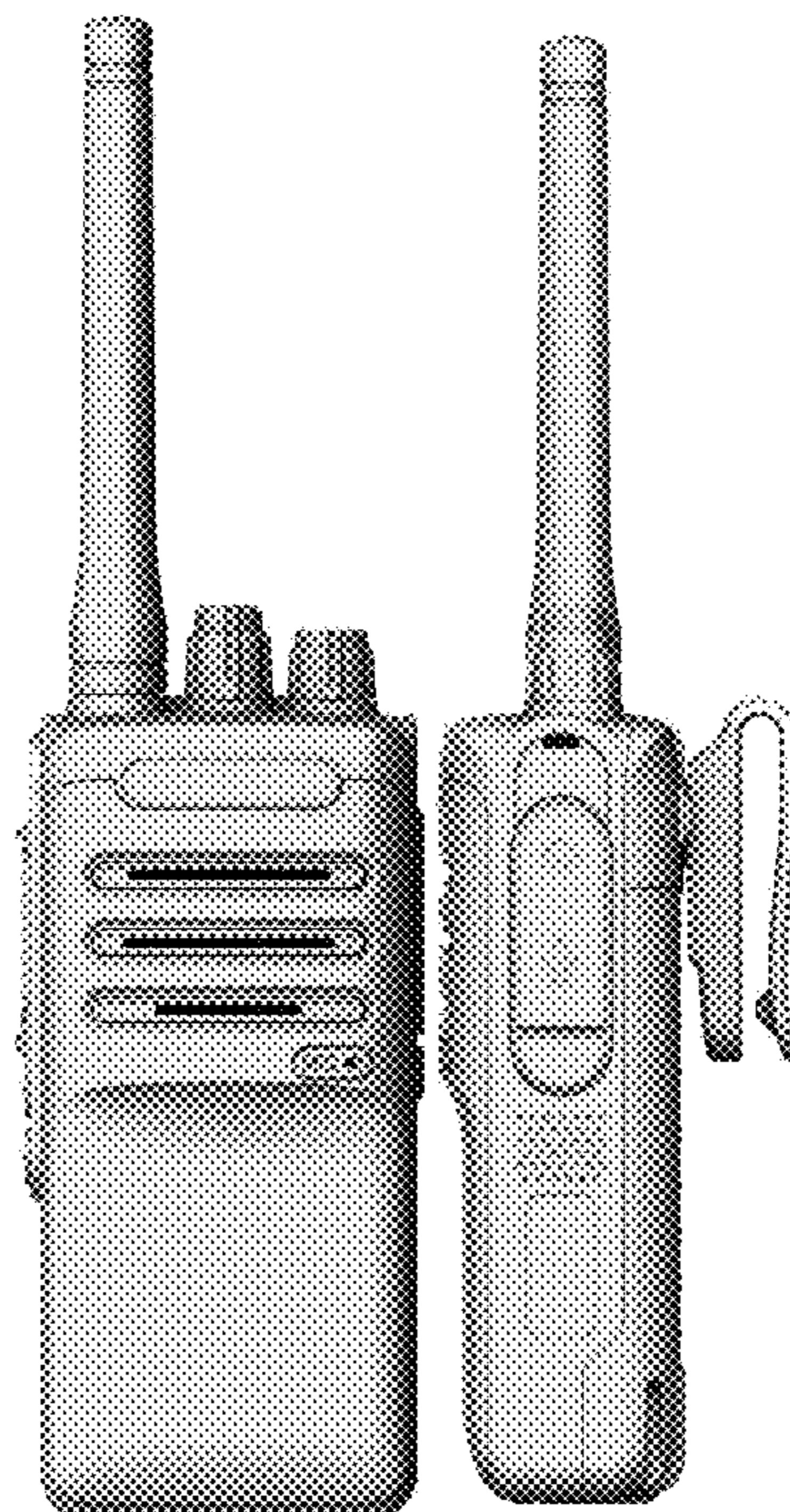
FIG. 1 is a front elevational view of a handheld transceiver showing my new design;
 FIG. 2 is a rear elevational view thereof;
 FIG. 3 is a left side view thereof;
 FIG. 4 is a right side view thereof;
 FIG. 5 is a top plan view thereof;
 FIG. 6 is a bottom plan view thereof;
 FIG. 7 is a front and left side perspective view thereof;
 FIG. 8 is a front and right side perspective view thereof;
 FIG. 9 is a rear and left side perspective view thereof;
 FIG. 10 is a rear and right side perspective view thereof;
 FIG. 11 is a bottom, rear and left side perspective view thereof; and,
 FIG. 12 is a top, front and right side perspective view thereof.

(56) **References Cited**

U.S. PATENT DOCUMENTS

D302,686 S *	8/1989	Claxton	D14/137
D351,383 S *	10/1994	Richards	D14/137
D651,997 S *	1/2012	Oikawa	D14/137
D663,277 S *	7/2012	Yong	D14/137

1 Claim, 12 Drawing Sheets



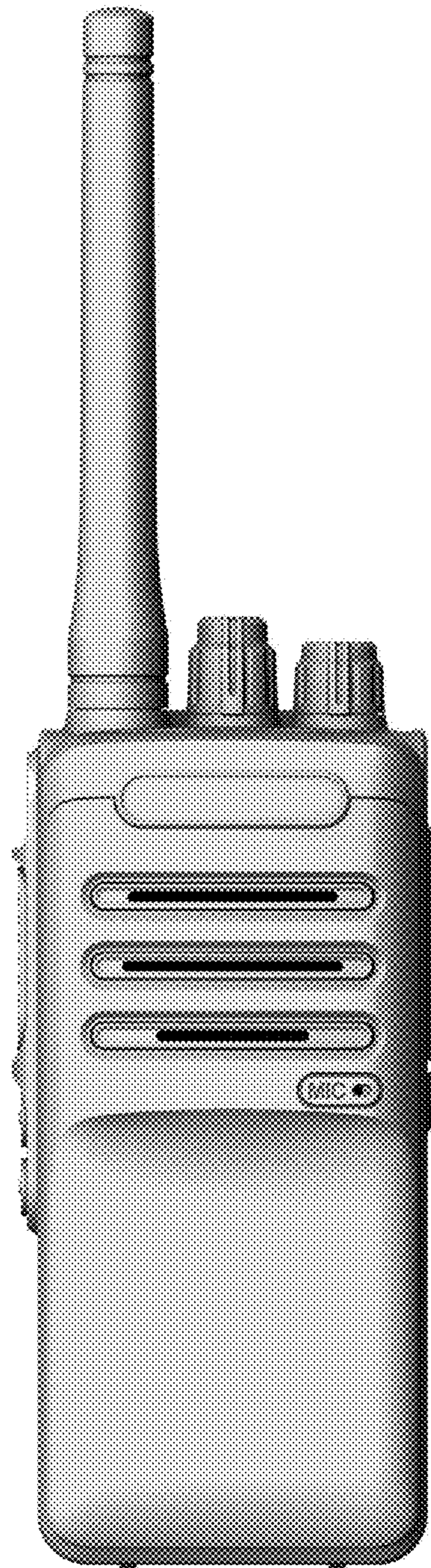


FIG. 1

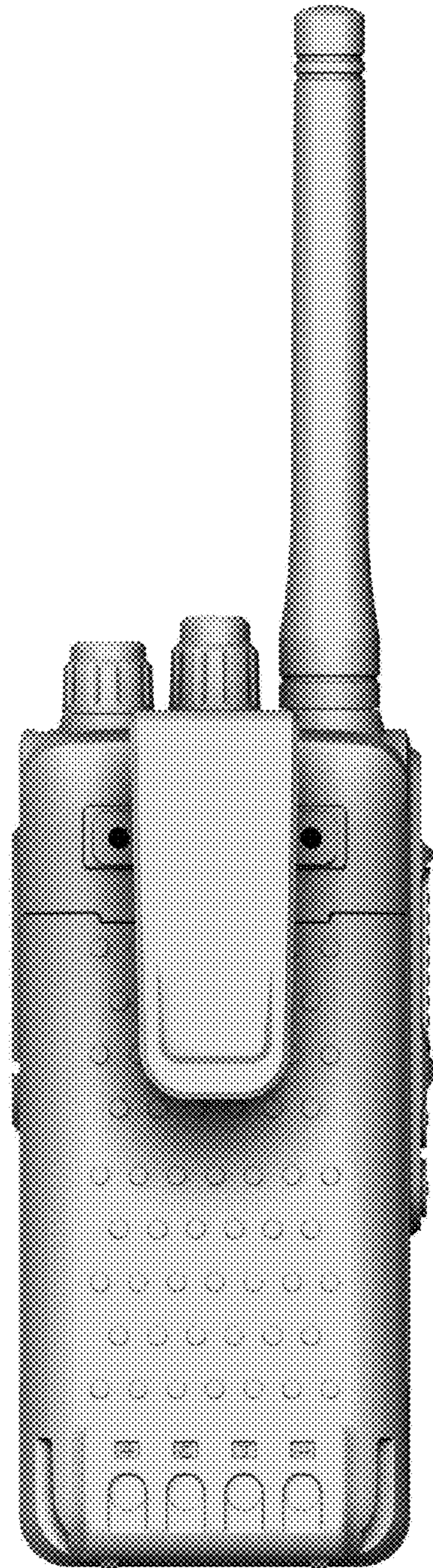


FIG. 2

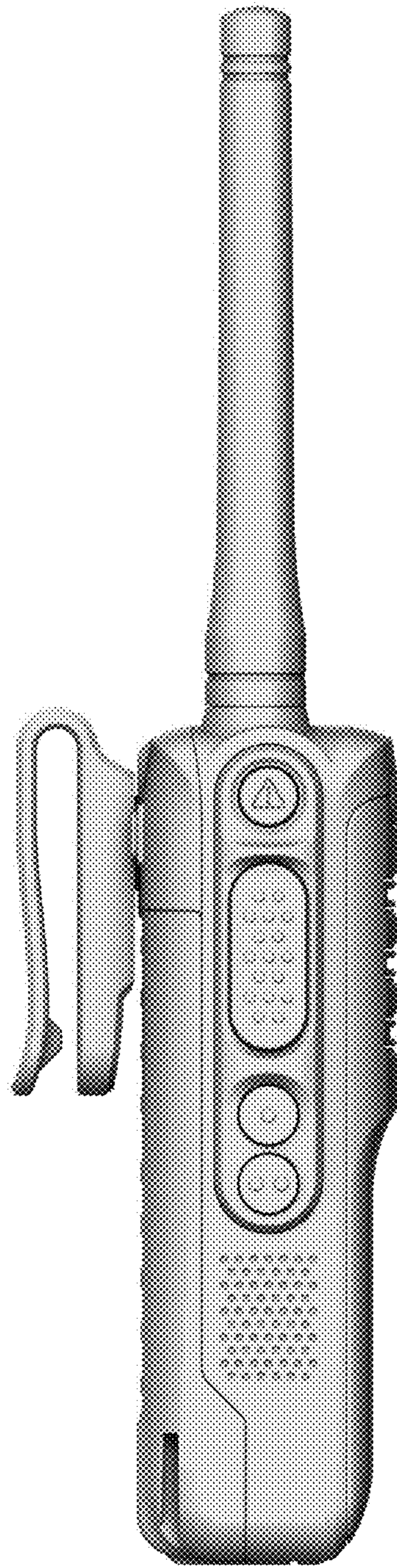


FIG. 3

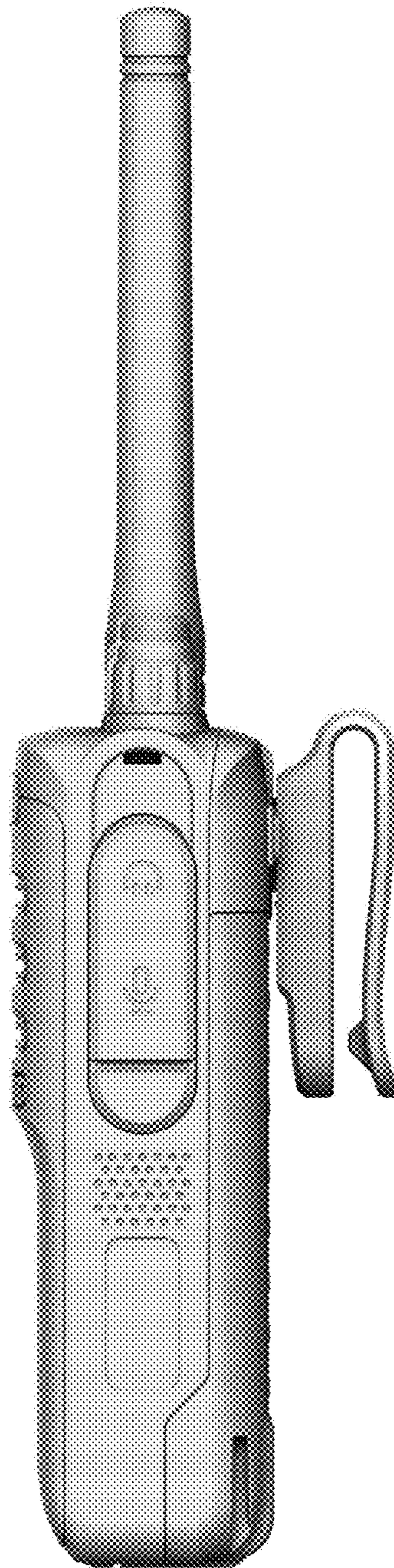


FIG. 4



FIG. 5

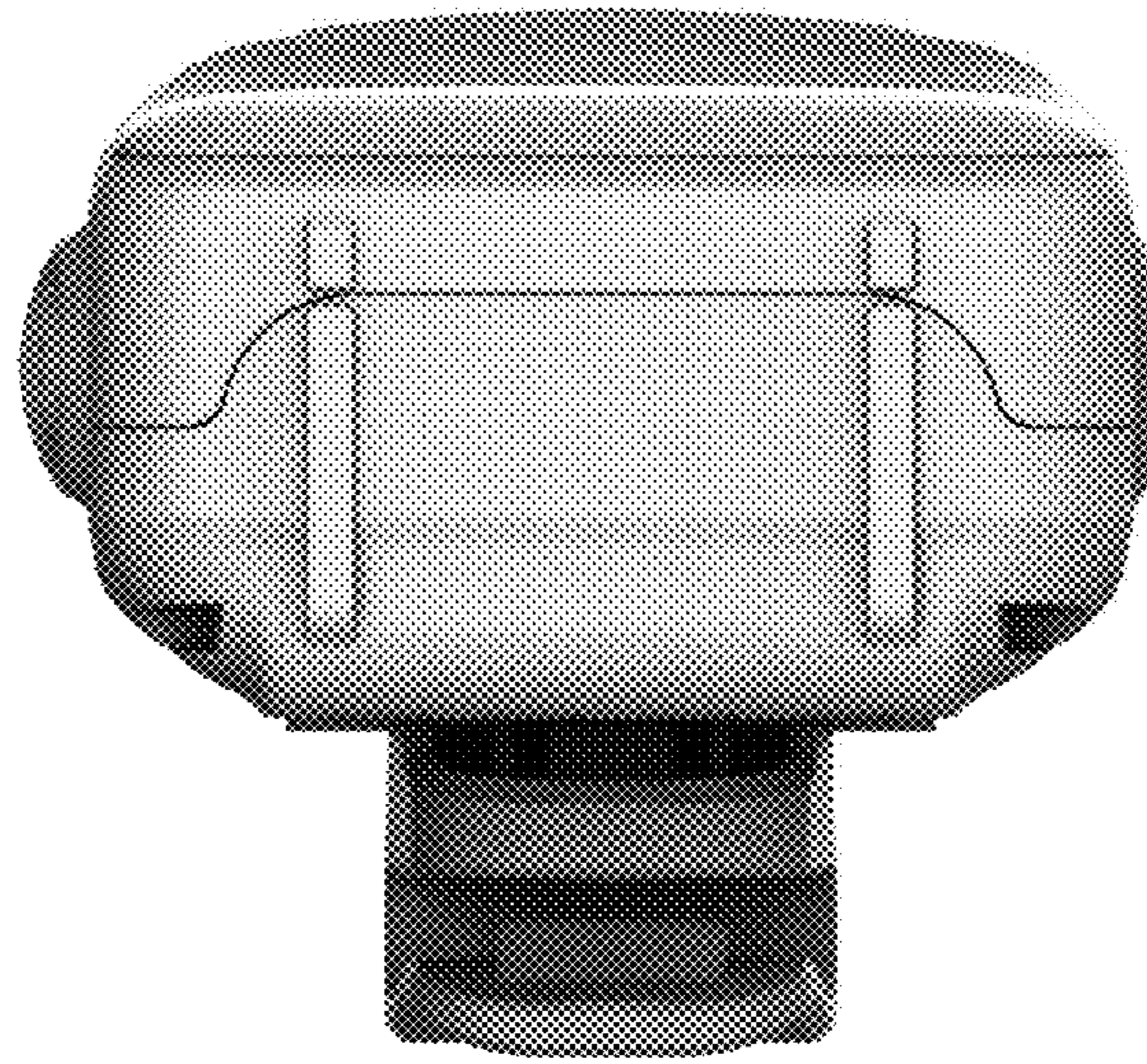


FIG. 6

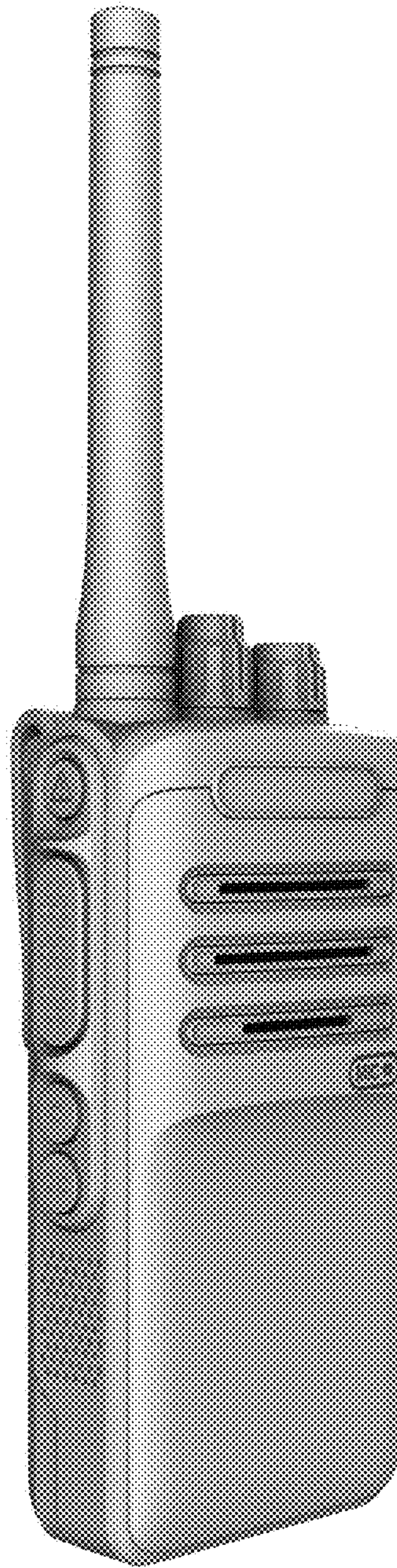


FIG. 7



FIG. 8

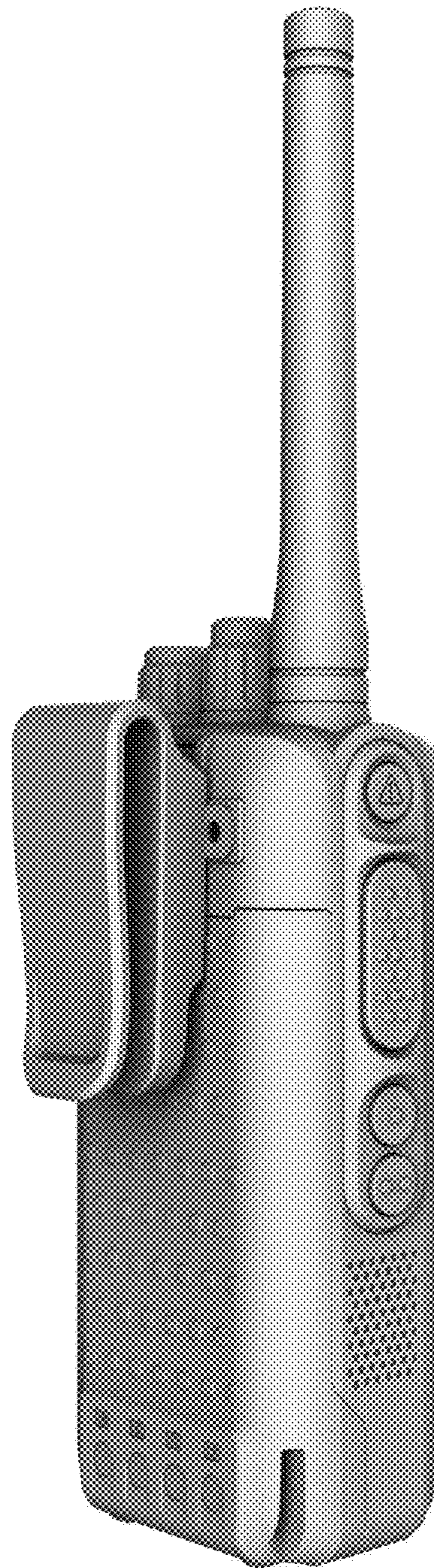


FIG. 9

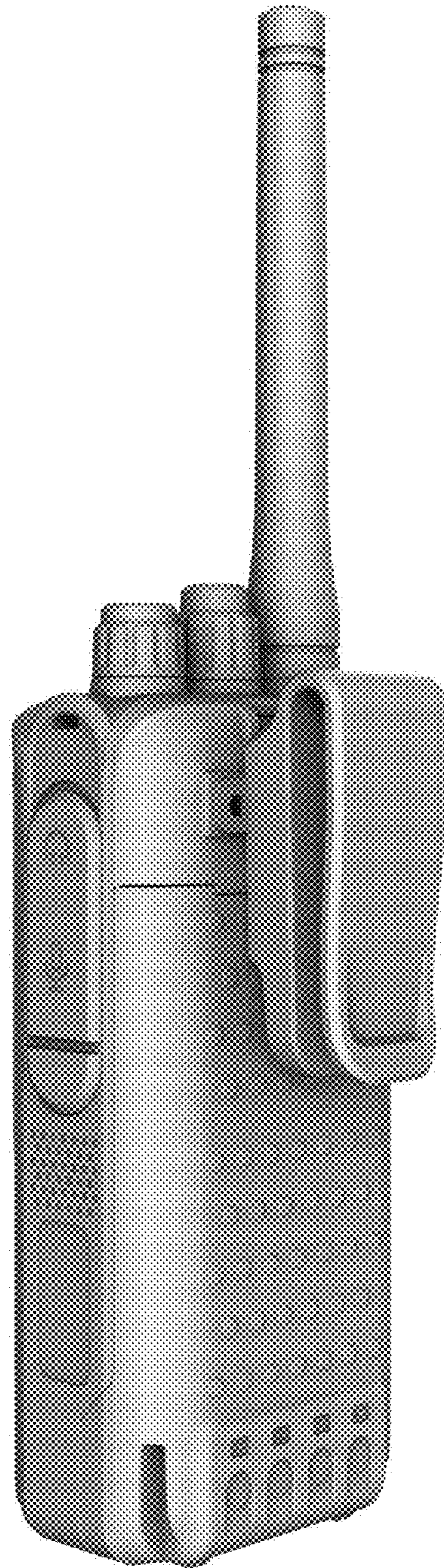


FIG. 10

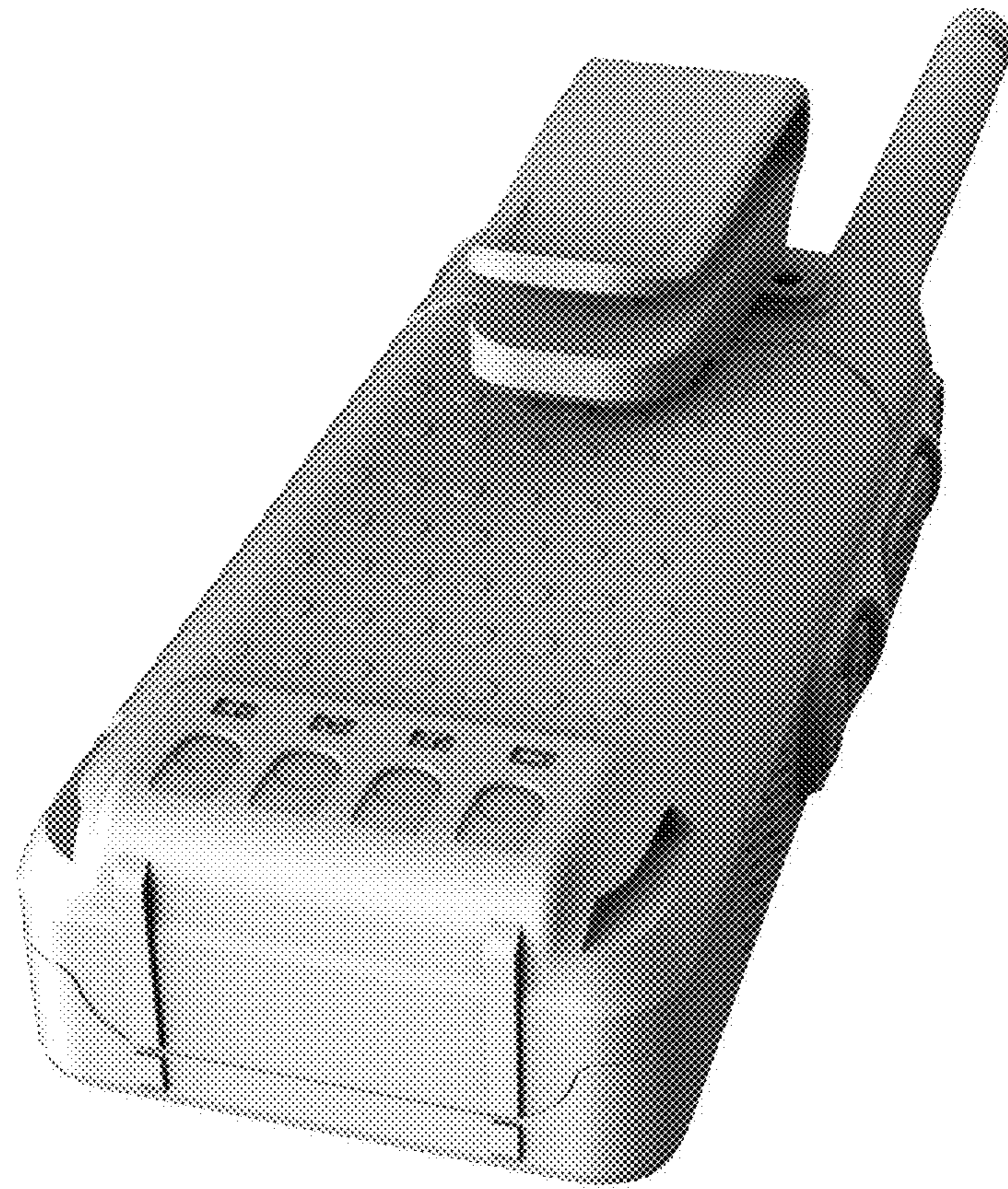


FIG. 11



FIG. 12