



US00D981975S

(12) **United States Design Patent**
Wang

(10) **Patent No.:** **US D981,975 S**

(45) **Date of Patent:** **** Mar. 28, 2023**

(54) **HANDHELD TRANSCEIVER**

(71) Applicant: **AUCTUS TECHNOLOGIES CO., LTD.**, Guangdong (CN)

(72) Inventor: **Yipei Wang**, Guangdong (CN)

(73) Assignee: **AUCTUS TECHNOLOGIES CO., LTD.**, Shenzhen (CN)

(**) Term: **15 Years**

(21) Appl. No.: **29/800,215**

(22) Filed: **Jul. 20, 2021**

(30) **Foreign Application Priority Data**

Apr. 30, 2021 (CN) 202130259890.9

(51) **LOC (14) Cl.** **14-03**

(52) **U.S. Cl.**
USPC **D14/137**

(58) **Field of Classification Search**
USPC D14/137, 138 R, 138 AA, 138 AD;
D10/104.1

CPC .. H04B 1/3833; H04B 1/3827; H04B 1/3855;
H04B 2001/3861; H04M 1/0202; H04M
1/03; H04M 1/035

See application file for complete search history.

(56) **References Cited**

U.S. PATENT DOCUMENTS

D497,600 S * 10/2004 Richards D14/137
D564,999 S * 3/2008 Richards D14/137

D601,116 S * 9/2009 Baik D14/138 AD
D605,153 S * 12/2009 Chung D14/138 AA
D605,616 S * 12/2009 Scott D14/137
D617,753 S * 6/2010 Cheng D14/138 AA
D654,035 S * 2/2012 Ismail D14/137
D754,089 S * 4/2016 Yong D14/137
D956,711 S * 7/2022 Hong D14/137
2008/0242375 A1 * 10/2008 Garcia H04B 1/3833
455/575.1

* cited by examiner

Primary Examiner — Bridget L Eland

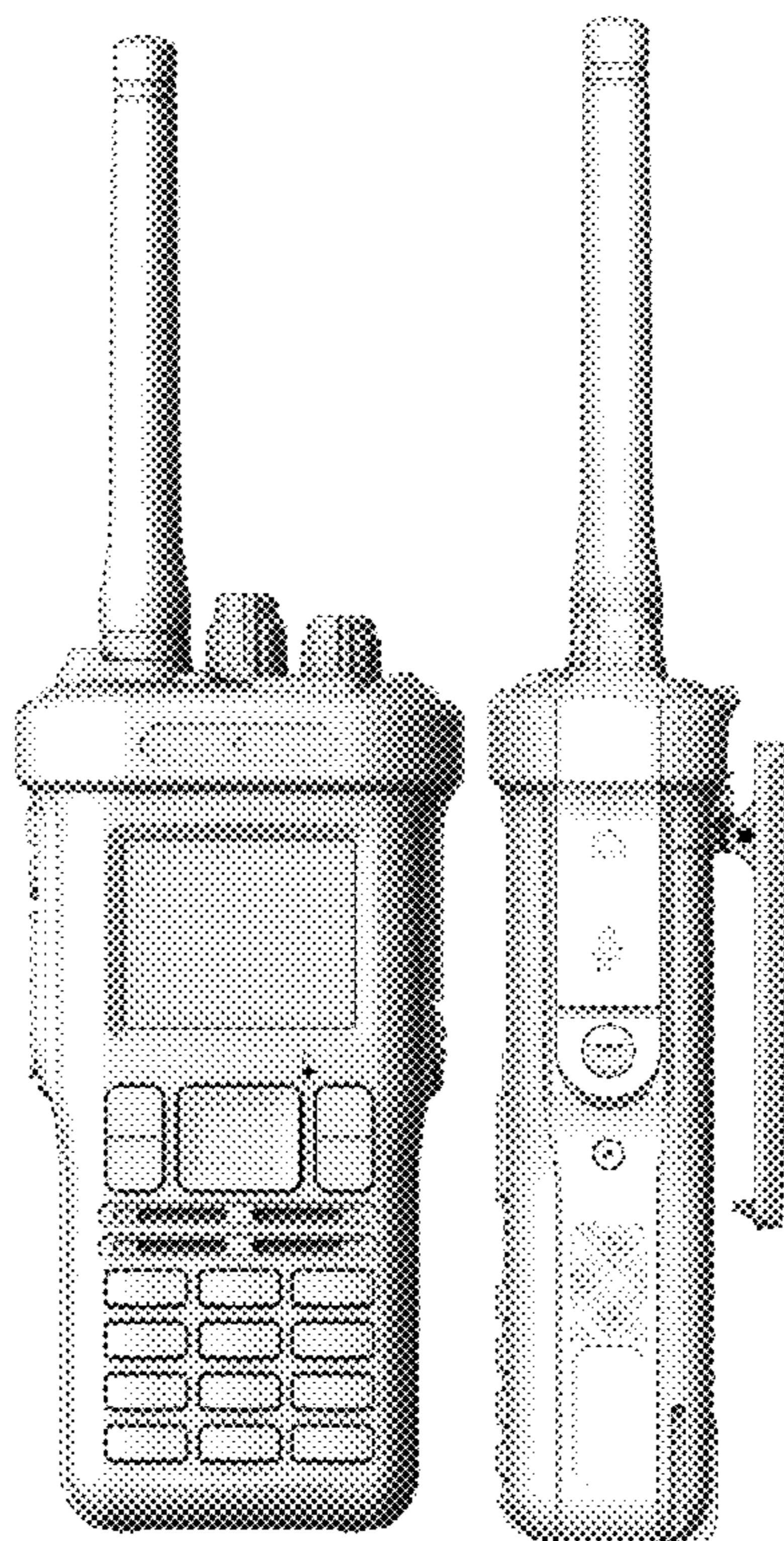
(57) **CLAIM**

The ornamental design for a handheld transceiver, as shown and described.

DESCRIPTION

FIG. 1 is a front elevational view of a handheld transceiver showing my new design;
FIG. 2 is a rear elevational view thereof;
FIG. 3 is a left side view thereof;
FIG. 4 is a right side view thereof;
FIG. 5 is a top plan view thereof;
FIG. 6 is a bottom plan view thereof;
FIG. 7 is a front and left side perspective view thereof;
FIG. 8 is a front and right side perspective view thereof;
FIG. 9 is a rear and left side perspective view thereof;
FIG. 10 is a rear and right side perspective view thereof;
FIG. 11 is a bottom, rear and left side perspective view thereof; and,
FIG. 12 is a top, front and right side perspective view thereof.

1 Claim, 12 Drawing Sheets



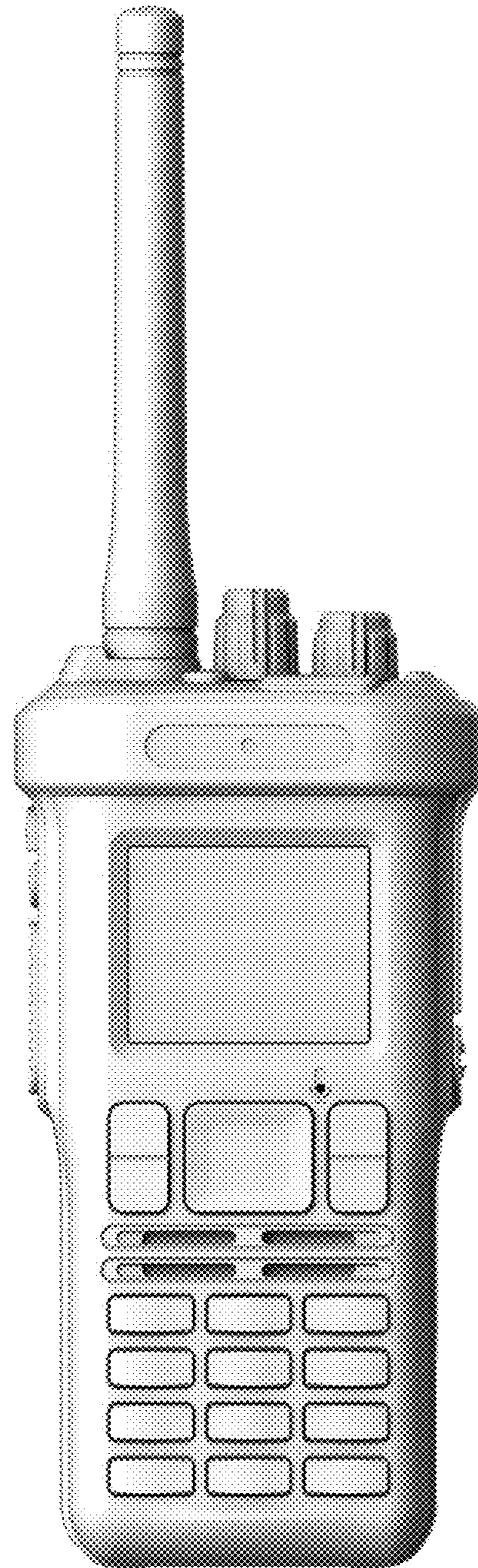


FIG. 1

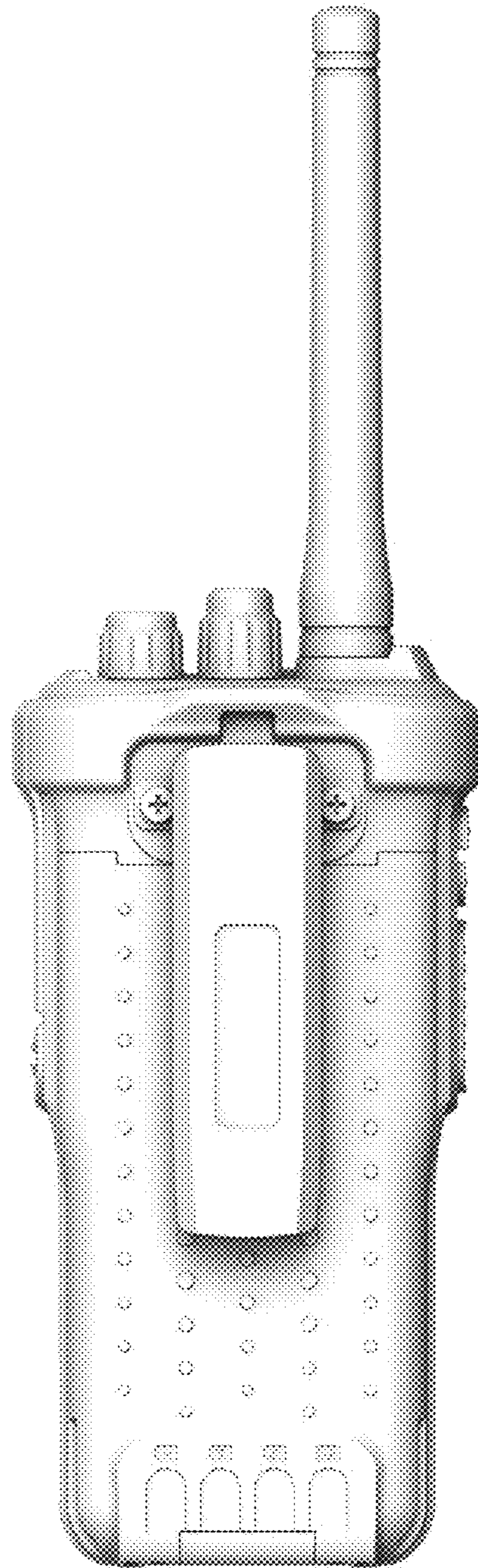


FIG. 2

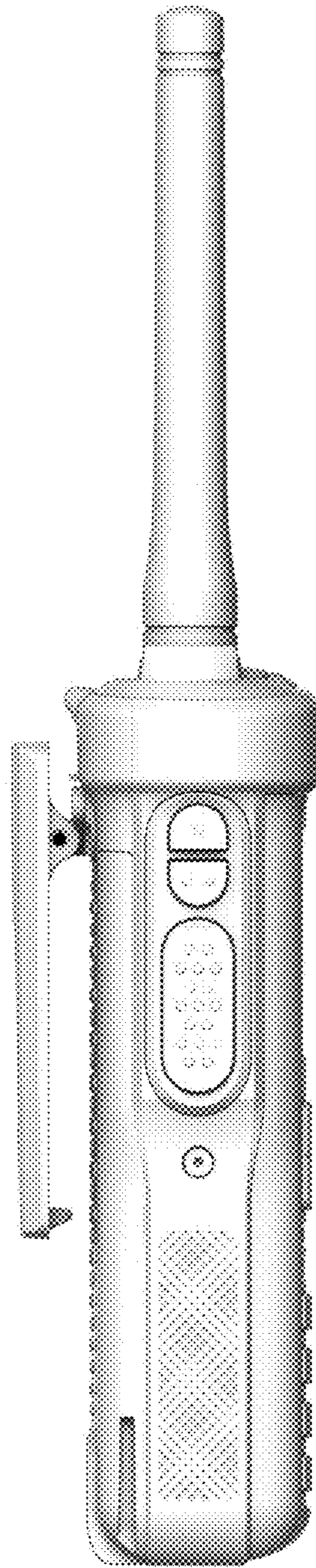


FIG. 3

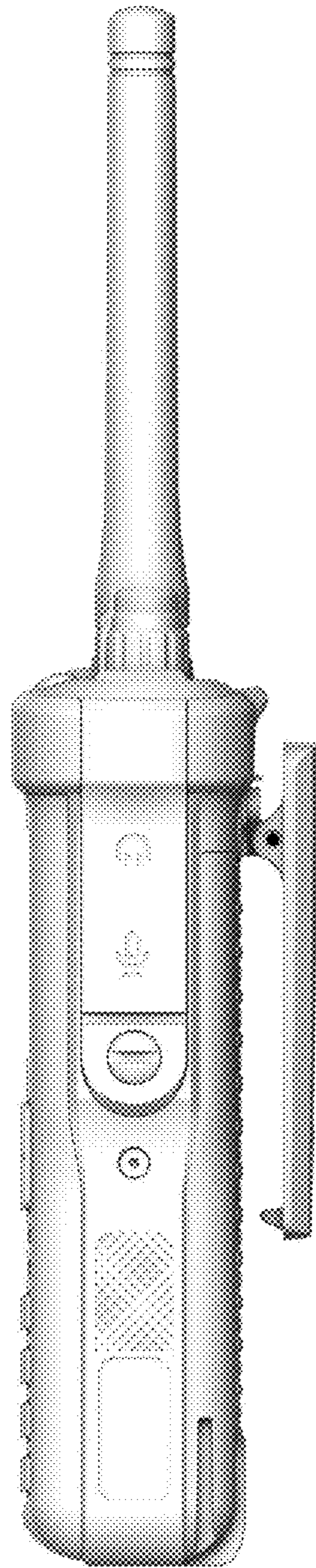


FIG. 4



FIG. 5



FIG. 6

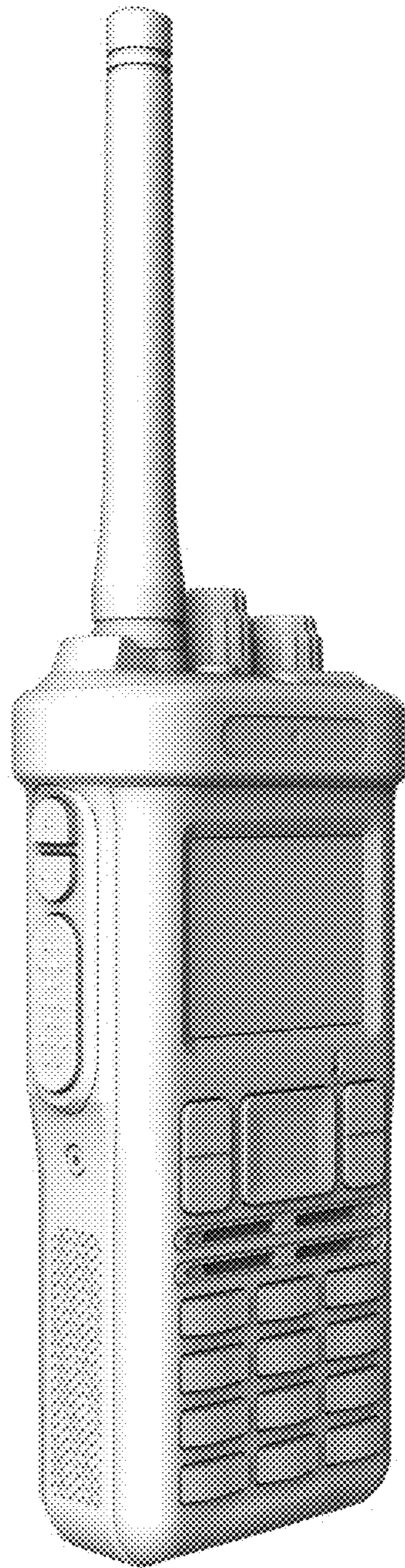


FIG. 7

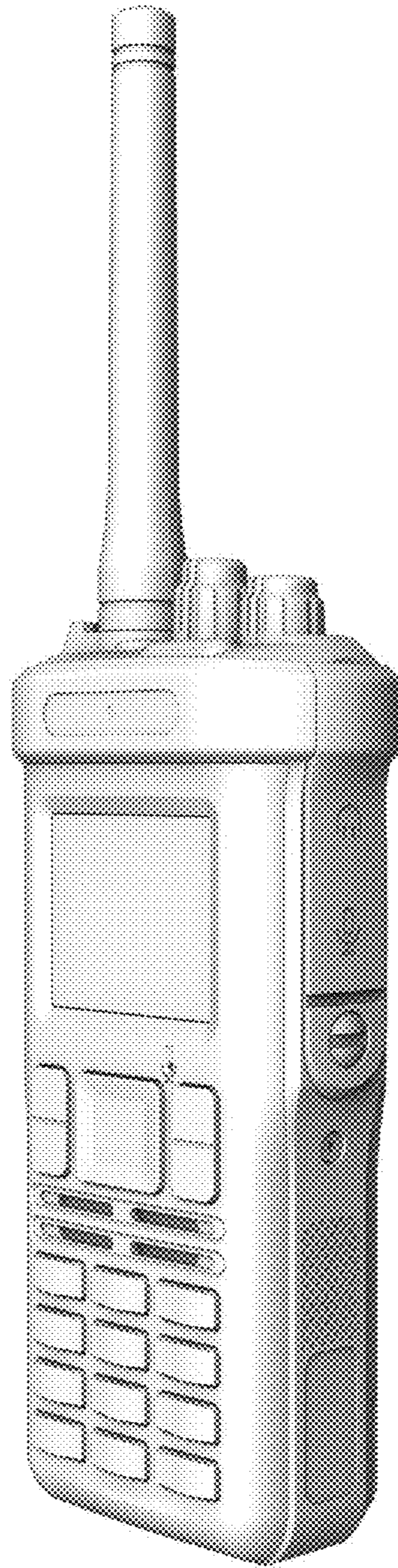


FIG. 8

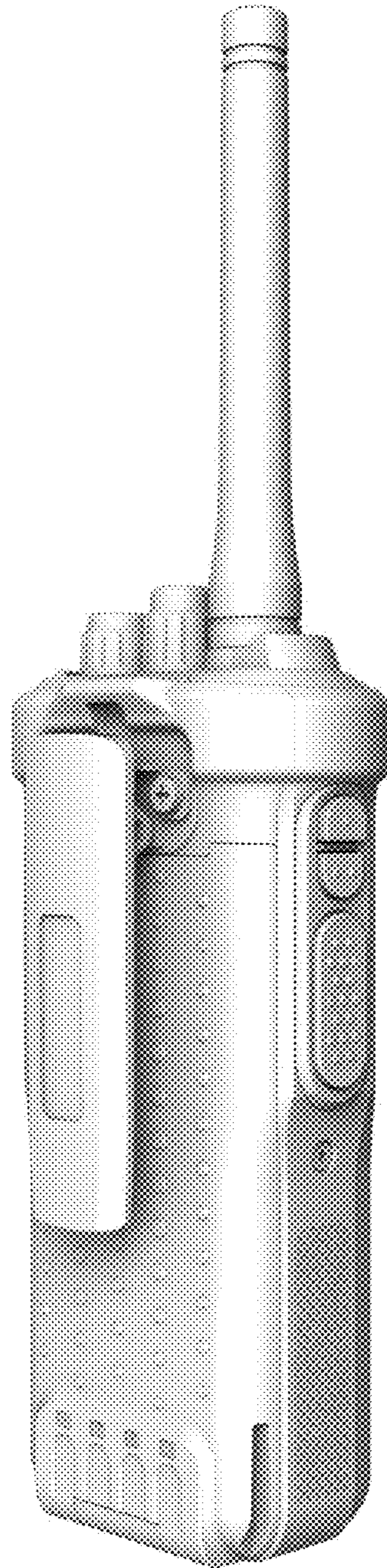


FIG. 9

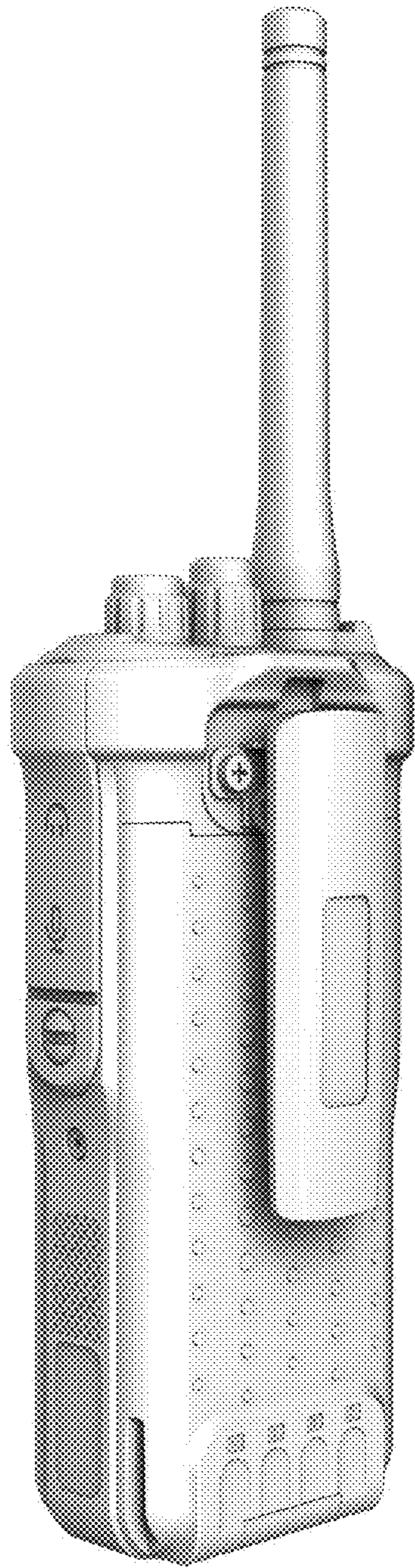


FIG. 10

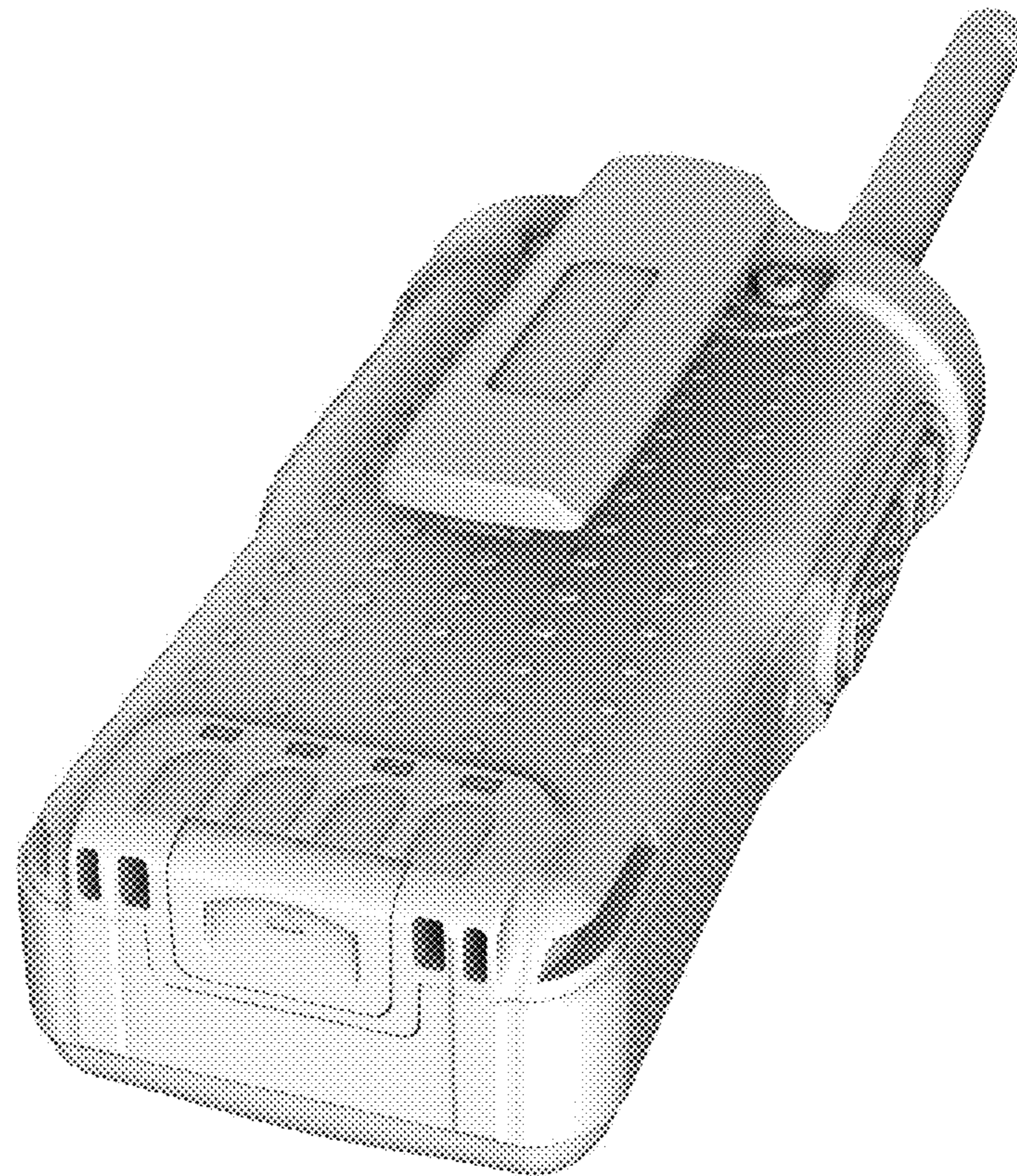


FIG. 11

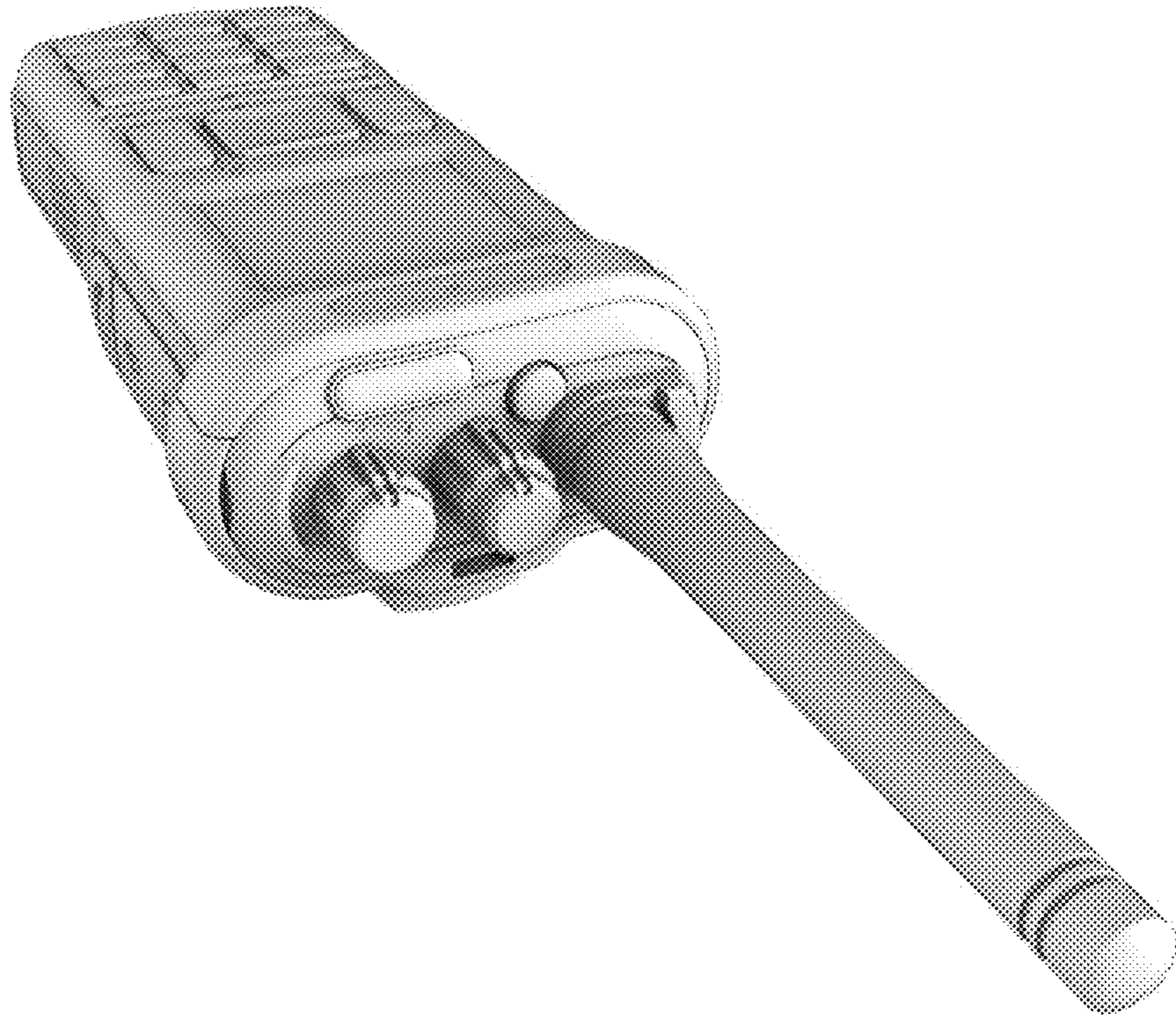


FIG. 12