



US00D981974S

(12) **United States Design Patent**  
**Kuang**

(10) **Patent No.:** **US D981,974 S**  
(45) **Date of Patent:** **\*\* Mar. 28, 2023**

(54) **VIDEO CONFERENCE TERMINAL**

(56) **References Cited**

(71) Applicants: **GUANGZHOU SHIYUAN ELECTRONICS CO., LTD.**,  
Guangdong (CN); **GUANGZHOU SHIRUI ELECTRONICS CO. LTD.**,  
Guangdong (CN)

U.S. PATENT DOCUMENTS

D716,360 S \* 10/2014 Schechter ..... D16/208  
D734,804 S \* 7/2015 Chung ..... D16/208  
D827,596 S \* 9/2018 Hou ..... D14/125  
D836,581 S \* 12/2018 Andresen ..... D14/126  
D837,172 S \* 1/2019 Haugen ..... D14/126

(72) Inventor: **Jiaying Kuang**, Guangdong (CN)

(Continued)

(73) Assignees: **GUANGZHOU SHIYUAN ELECTRONICS CO., LTD.**,  
Guangdong (CN); **GUANGZHOU SHIRUI ELECTRONICS CO. LTD.**,  
Guangdong (CN)

OTHER PUBLICATIONS

Enther & Maxhub 4K Video Conference Camera, first available Mar. 17, 2021, amazon.com, [online], [site visited Jan. 13, 2022], Available from internet URL: <https://www.amazon.com/Enther-Conference-Conferencing-Microphone-Meeting/dp/B08TQZVLR3> (Year: 2021).\*

(\*\*) Term: **15 Years**

(Continued)

(21) Appl. No.: **29/755,611**

*Primary Examiner* — Samantha Q Lawrence  
*Assistant Examiner* — Holly M Rodriguez

(22) Filed: **Oct. 21, 2020**

(74) *Attorney, Agent, or Firm* — Zhong Law, LLC

(30) **Foreign Application Priority Data**

Apr. 22, 2020 (CN) ..... 202030168628.9

(57) **CLAIM**

(51) **LOC (14) Cl.** ..... **14-03**

The ornamental design for a video conference terminal, as shown and described.

(52) **U.S. Cl.**

USPC ..... **D14/125**

(58) **Field of Classification Search**

USPC .... D14/240, 242, 357, 358, 140-140.9, 155,  
D14/137, 139, 243, 433, 125-134, 239,  
D14/371, 374-377, 440, 450, 448, 336,  
D14/342, 159, 314-316, 322, 326,  
D14/334-335, 339, 340, 341, 356,  
D14/215-218; D21/329, 515, 333, 331,  
D21/505; D10/15, 26; D6/300

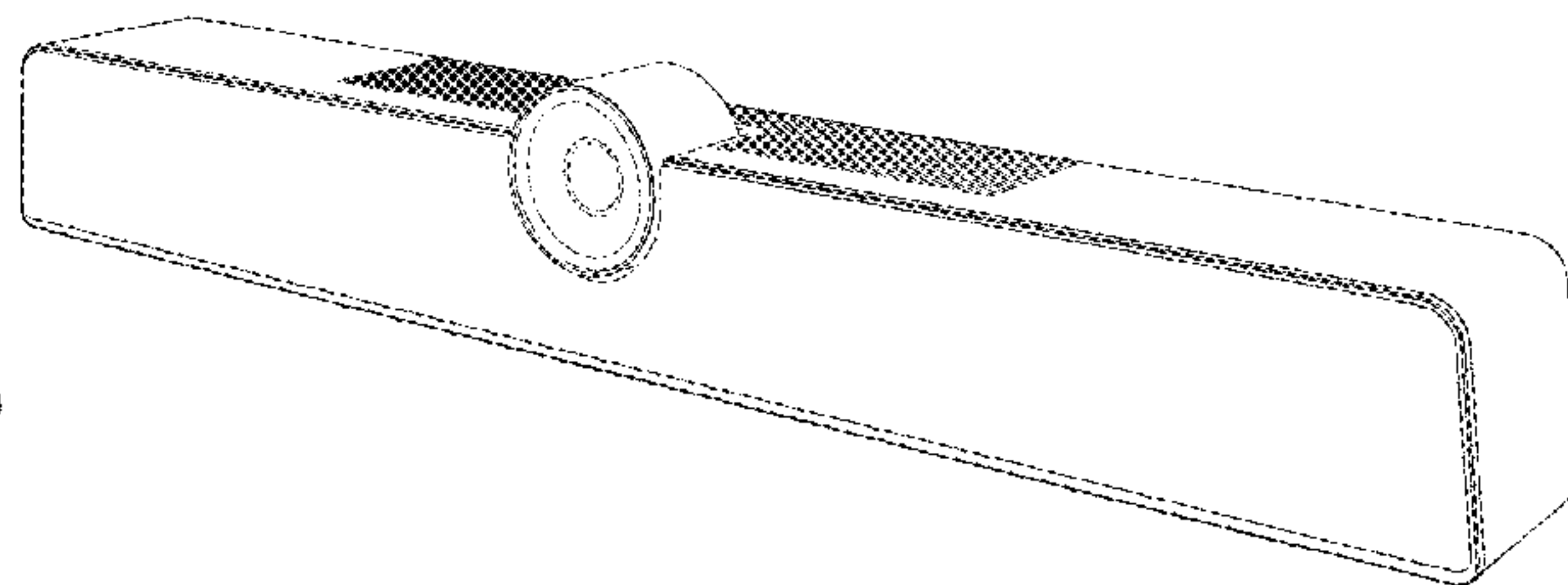
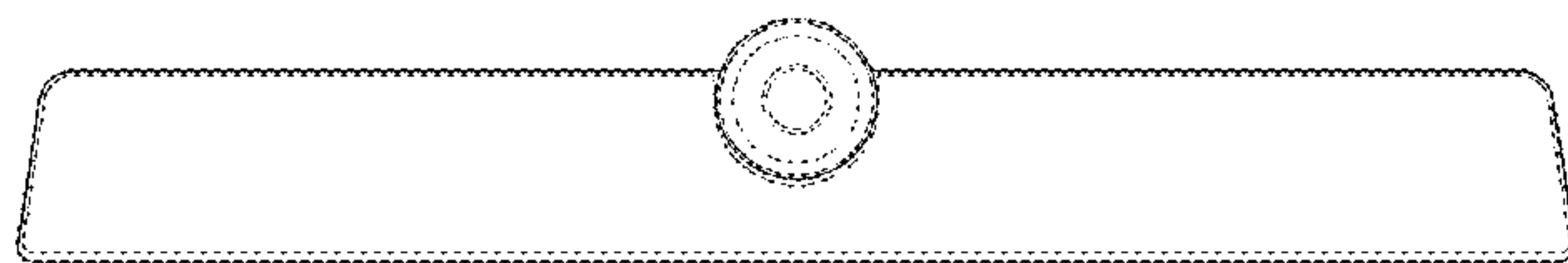
CPC ..... H04L 12/00; H03K 17/00; H04W 88/00;  
H04W 88/005; H04W 88/02; H04W  
88/08; H04W 88/085; H04W 88/10;  
H04W 88/12; H04W 88/14; G06F  
1/1601; G06F 1/1643; H05K 5/0004;  
H05K 5/0017; H05K 5/02; H05K 5/0217

See application file for complete search history.

**DESCRIPTION**

FIG. 1 is a front view of a video conference terminal showing my new design;  
FIG. 2 is a rear view thereof;  
FIG. 3 is a left side view thereof;  
FIG. 4 is a right side view thereof;  
FIG. 5 is a top view thereof;  
FIG. 6 is a bottom view thereof; and,  
FIG. 7 is a front perspective view thereof.  
The broken line areas as showing portions of the video conference terminal that form no part of the claimed design.

**1 Claim, 7 Drawing Sheets**



(56)

**References Cited**

## U.S. PATENT DOCUMENTS

D872,158	S	*	1/2020	Bytyqi	.....	D16/202
D905,778	S	*	12/2020	Lenz	.....	D16/208
D907,595	S	*	1/2021	Duys	.....	D14/125
D924,299	S	*	7/2021	Gartrell	.....	D16/202
D928,107	S	*	8/2021	Wang	.....	D14/130
D932,534	S	*	10/2021	Su	.....	D16/202
D937,798	S	*	12/2021	Bailey	.....	D14/130
D938,380	S	*	12/2021	Wang	.....	D14/130
D940,673	S	*	1/2022	Andresen	.....	D14/130

## OTHER PUBLICATIONS

Bestboard Fixed Focus FOV 120 Autofocus Android 4K Video Soundbar Video Conference Terminal, first available 2021, amazon.com, [online], [site visited Jan. 13, 2022], Available from internet URL: <https://www.aliexpress.com/item/1005003397553990.html> (Year: 2022).\*

Logitech MeetUp HD Video and Audio, first available May 23, 2017, amazon.com, [online], [site visited Jan. 13, 2022], Available from internet URL: [https://www.amazon.com/Logitech-MeetUp-Conferencing-System-Meeting/dp/B072JQ98DF/ref=sr\\_1\\_13?crid=1NYPCPHOT6ZP1&keywords=Logitech%2BMEETUP%2BConcerenceCam&qid=](https://www.amazon.com/Logitech-MeetUp-Conferencing-System-Meeting/dp/B072JQ98DF/ref=sr_1_13?crid=1NYPCPHOT6ZP1&keywords=Logitech%2BMEETUP%2BConcerenceCam&qid=) (Year: 2017).\*

\* cited by examiner

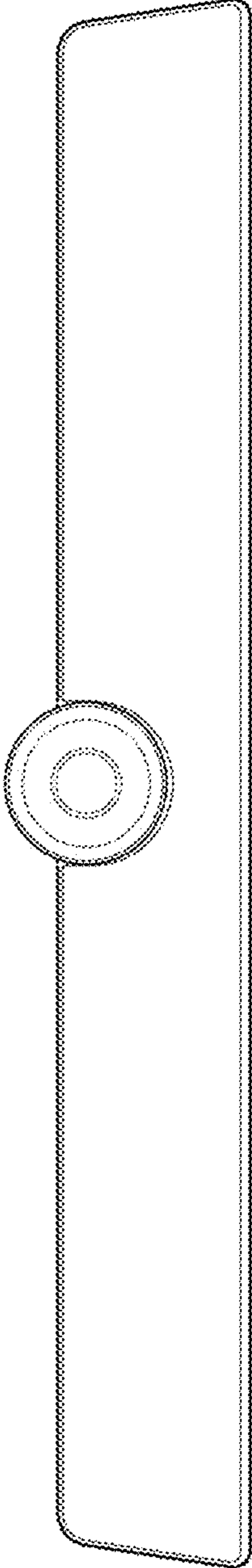


FIG. 1

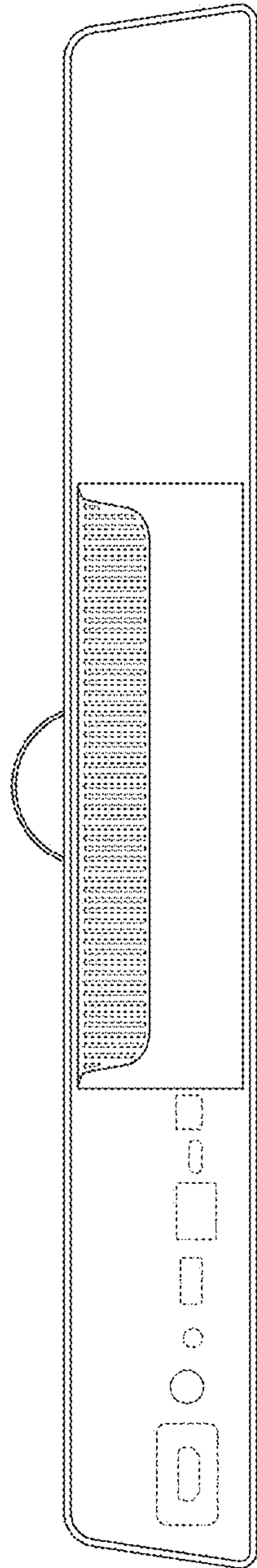


FIG. 2

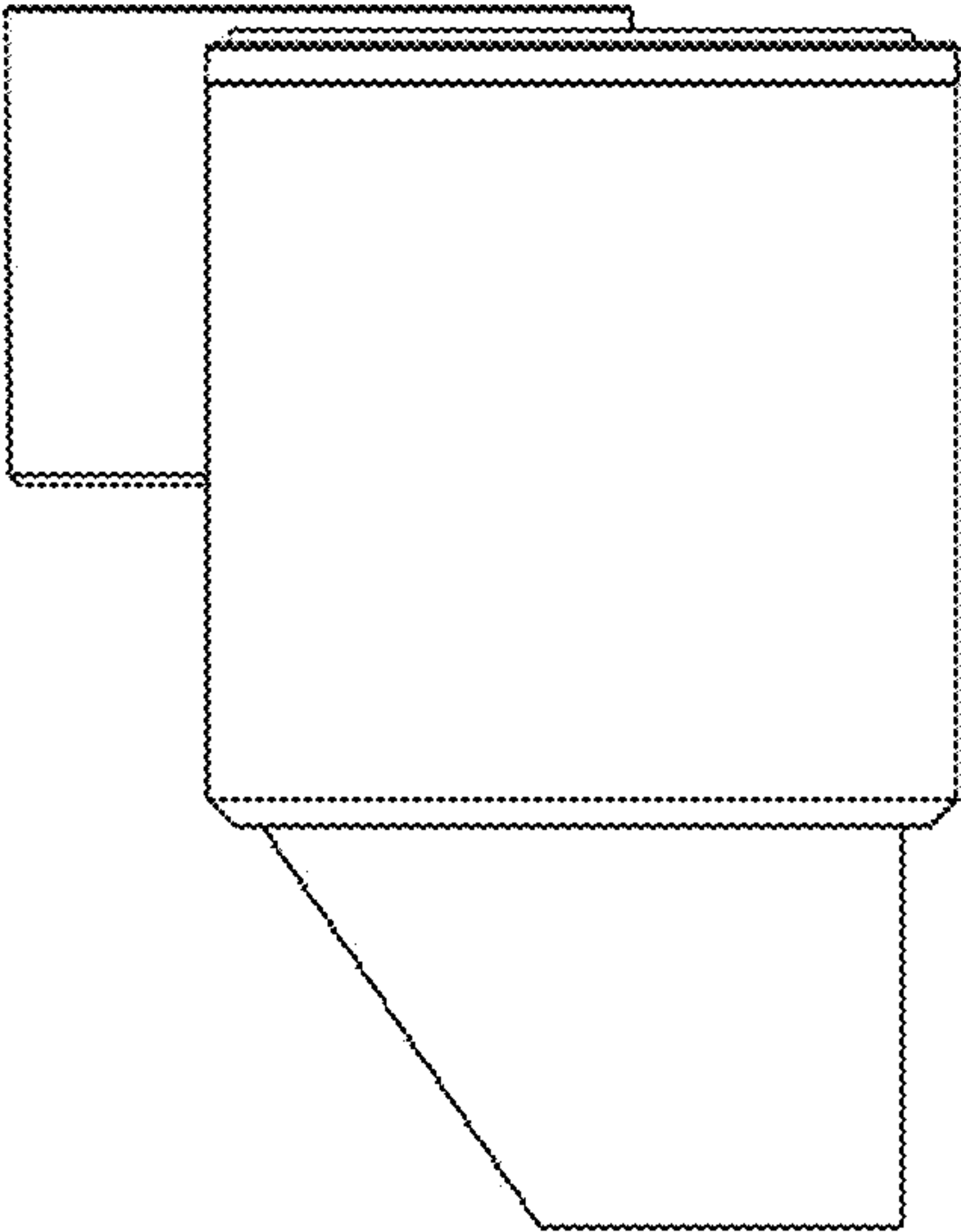


FIG. 3

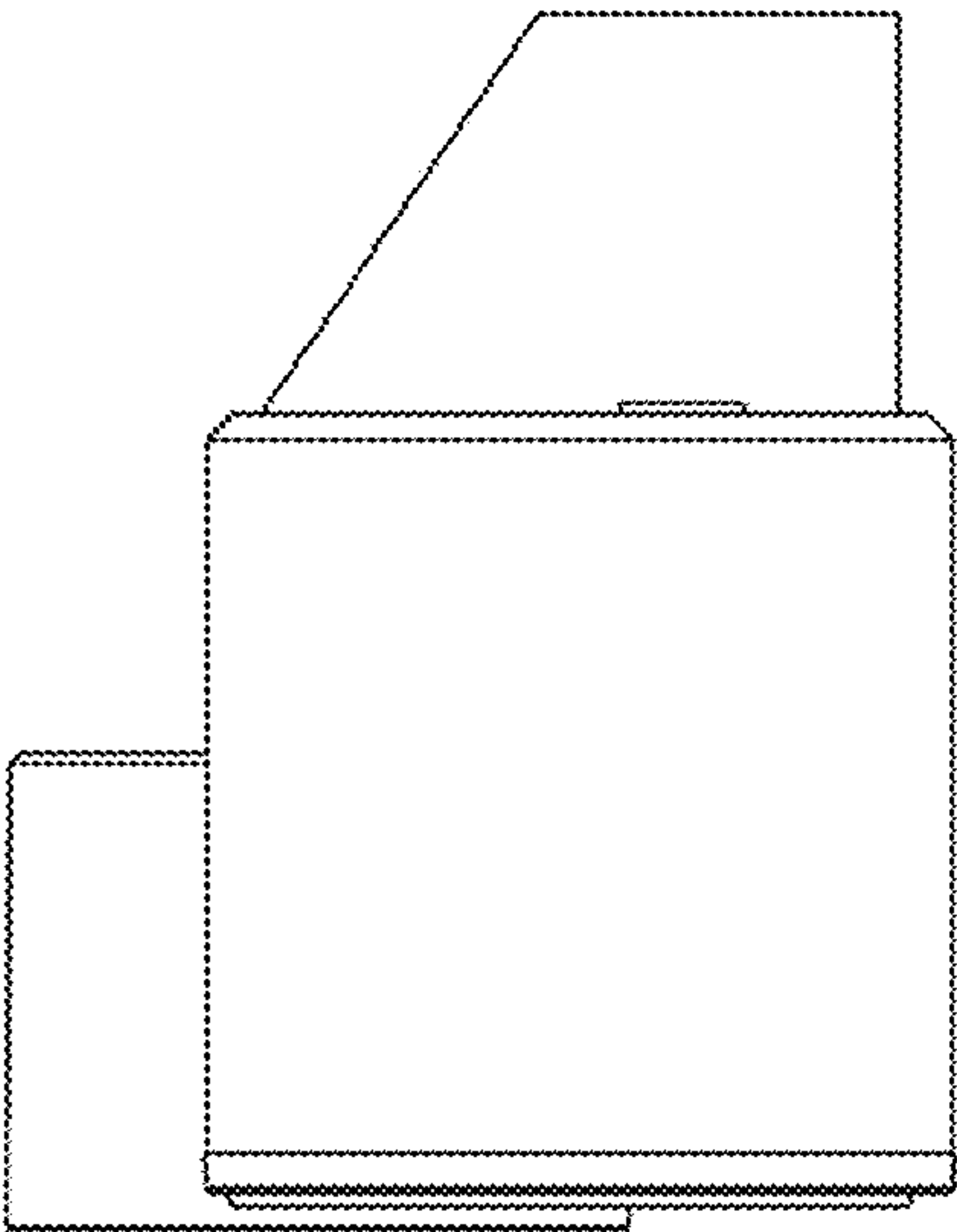


FIG. 4

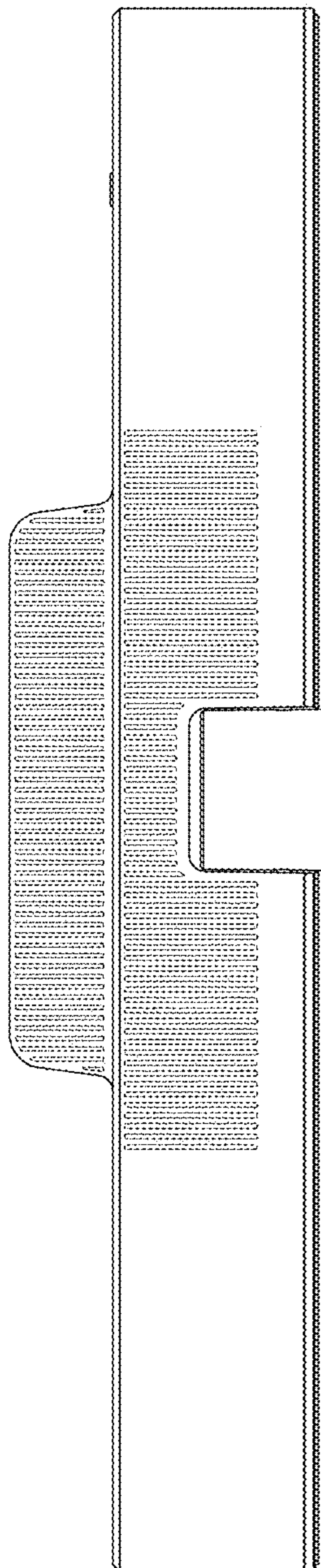


FIG. 5



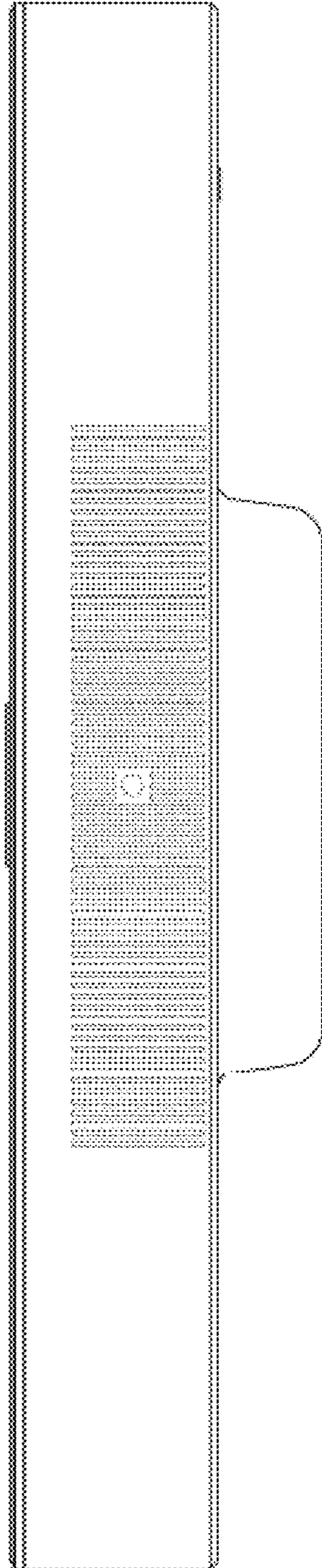


FIG. 6



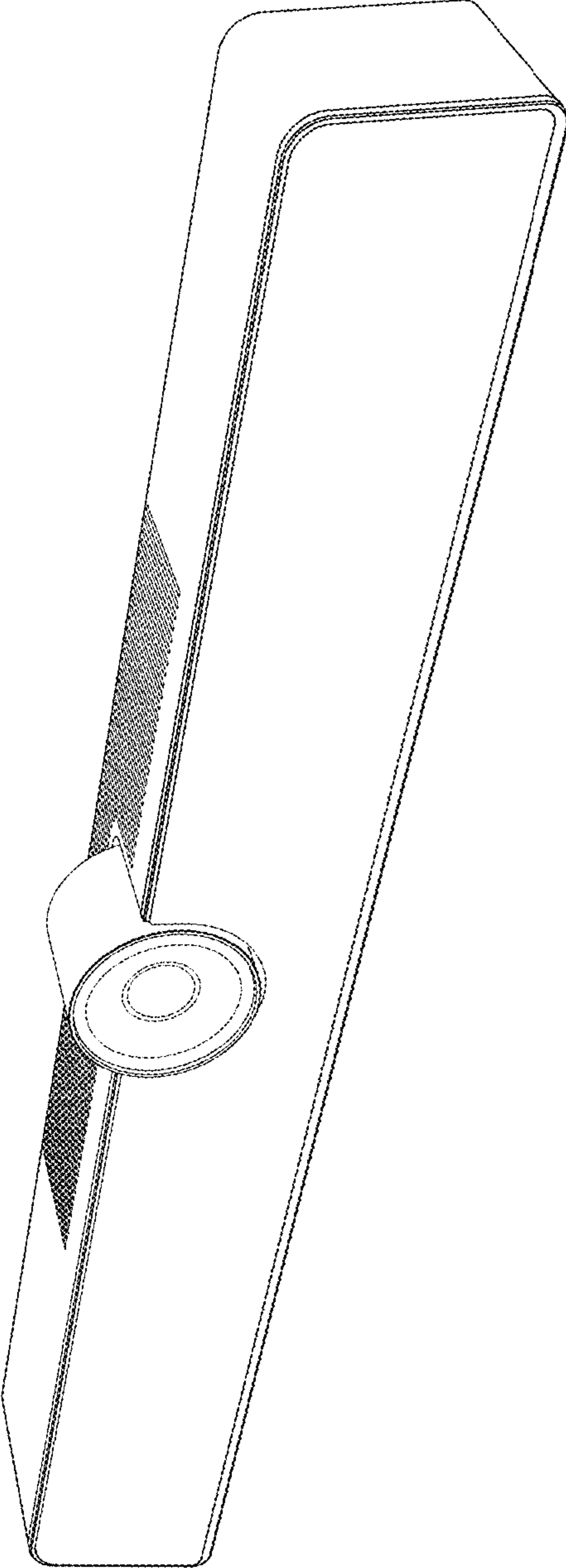


FIG. 7