



US00D981971S

(12) **United States Design Patent**  
**Taniguchi**

(10) **Patent No.:** **US D981,971 S**  
(45) **Date of Patent:** **\*\* Mar. 28, 2023**

(54) **BOAT OF SUBSTRATE PROCESSING APPARATUS**

(71) Applicant: **KOKUSAI ELECTRIC CORPORATION**, Tokyo (JP)

(72) Inventor: **Daiki Taniguchi**, Toyama (JP)

(73) Assignee: **KOKUSAI ELECTRIC CORPORATION**, Tokyo (JP)

(\*\*) Term: **15 Years**

(21) Appl. No.: **29/807,738**

(22) Filed: **Sep. 14, 2021**

(30) **Foreign Application Priority Data**

Mar. 15, 2021 (JP) ..... 2021-005258 D

(51) **LOC (14) Cl.** ..... **13-03**

(52) **U.S. Cl.**  
USPC ..... **D13/182**

(58) **Field of Classification Search**  
USPC ..... D13/154, 173, 178, 182, 199; D24/127,  
D24/129

(Continued)

(56) **References Cited**

**U.S. PATENT DOCUMENTS**

D229,028 S \* 11/1973 Mostre ..... D8/402  
D302,382 S \* 7/1989 Bleakley ..... D8/343

(Continued)

**FOREIGN PATENT DOCUMENTS**

CN 111128814 A \* 5/2020  
CN 112509967 A \* 3/2021 ..... C23C 16/4586

(Continued)

*Primary Examiner* — Shawn T Gingrich

*Assistant Examiner* — Caleb M Baker

(74) *Attorney, Agent, or Firm* — Fitch, Even, Tabin & Flannery, LLP

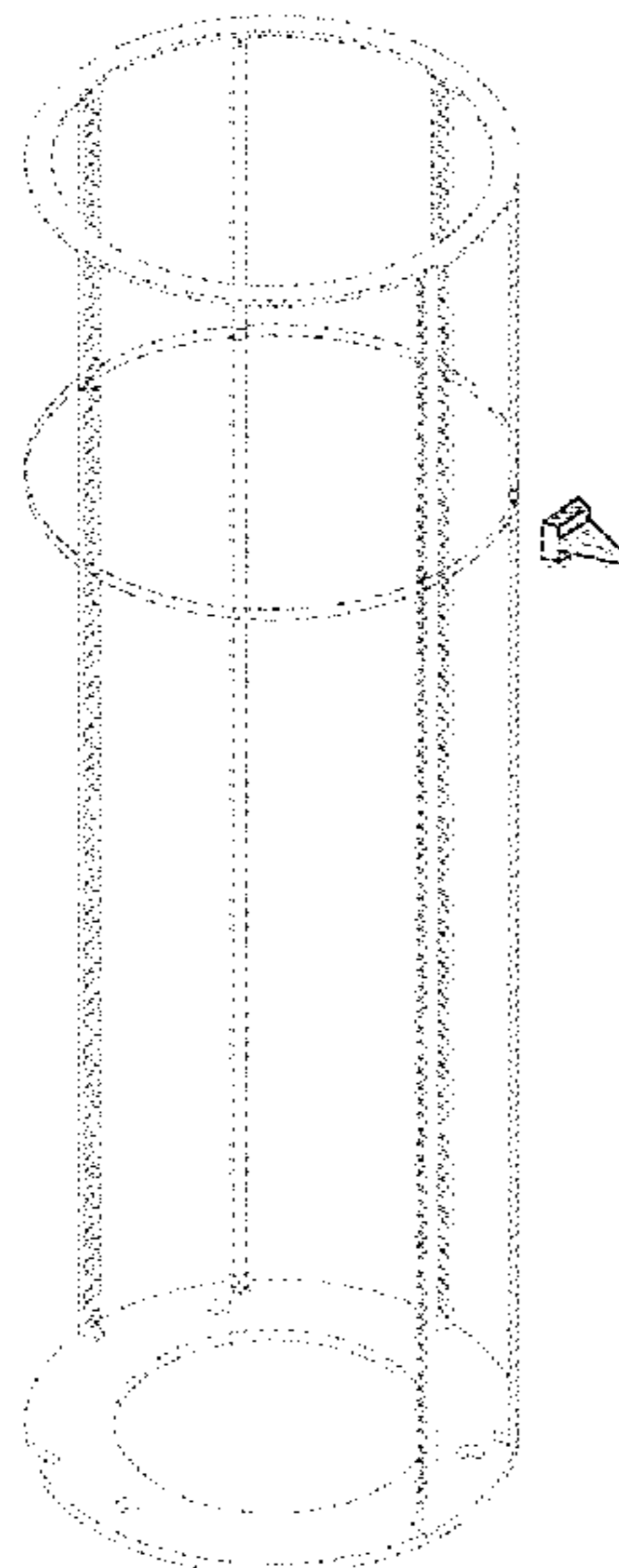
(57) **CLAIM**

The ornamental design for a boat of substrate processing apparatus, as shown and described.

**DESCRIPTION**

FIG. 1 is a front, top and right side perspective view of a boat of substrate processing apparatus showing our new design; FIG. 2 is a front elevational view thereof; FIG. 3 is a right side elevational view thereof; FIG. 4 is a left side elevational view thereof; FIG. 5 is a rear elevational view thereof; FIG. 6 is a top plan view thereof; FIG. 7 is a bottom plan view thereof; and FIG. 8 is an enlarged portion view, labeled FIG. 8 in FIG. 2. FIG. 9 is an enlarged cross-sectional view taken along line 9-9 in FIG. 2 thereof; FIG. 10 is an enlarged cross-sectional view taken along line 10-10 in FIG. 2 thereof; FIG. 11 is a perspective view of the area shown in FIG. 8 thereof; with portions that form no part of the claimed design removed for illustrative clarity. FIG. 12 is a front elevational view of FIG. 11 thereof; FIG. 13 is a rear elevational view of FIG. 11 thereof; FIG. 14 is a right side elevational view of FIG. 11 thereof; FIG. 15 is a left side elevational view of FIG. 11 thereof; FIG. 16 is a top elevational view of FIG. 11 thereof; and, FIG. 17 is a bottom plan elevational view of FIG. 11. The dot-dashed lines define the bounds of the claimed design and form no part thereof. The broken lines are included for the purpose of illustrating portions of the article that form no part of the claimed design. The dot-dot-dash broken lines in the FIG. 2 are used for reference purposes only, and form no part of the claimed design.

**1 Claim, 13 Drawing Sheets**



(58) **Field of Classification Search**

CPC ..... H01L 21/67303; H01L 21/67306; H01L  
21/67309; H01L 21/67126; H01L  
21/67757; H01L 21/67748; H01L 21/683;  
H01L 21/68728; H01L 21/6875

See application file for complete search history.

(56) **References Cited**

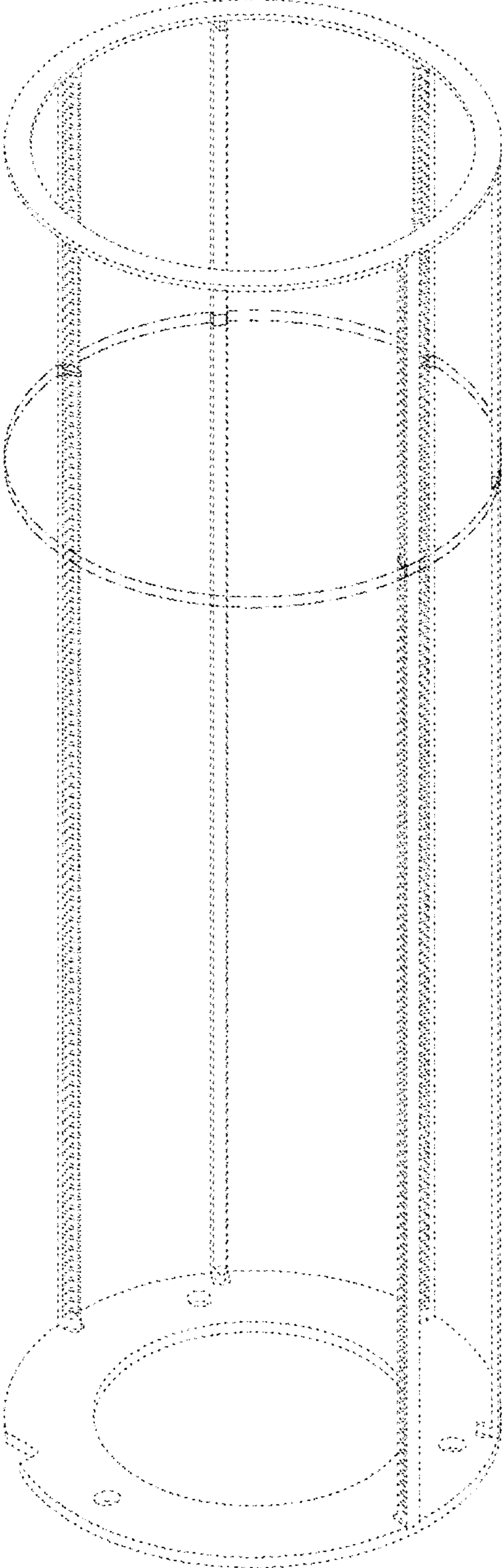
U.S. PATENT DOCUMENTS

6,231,038 B1 \* 5/2001 Keyser ..... H01L 21/68721  
269/287  
6,455,395 B1 \* 9/2002 Boyle ..... H01L 21/67306  
438/455  
D580,894 S \* 11/2008 Sato ..... D13/182  
D740,769 S \* 10/2015 Takagi ..... D13/182  
9,153,466 B2 10/2015 Jdira et al.  
11,315,813 B2 \* 4/2022 Wagenleitner .... H01L 21/67092  
D958,093 S \* 7/2022 Murata ..... D13/182  
2002/0113027 A1 \* 8/2002 Minami ..... H01L 21/67303  
211/41.18  
2002/0187023 A1 \* 12/2002 Araki ..... H01L 21/67303  
414/160  
2010/0141924 A1 \* 6/2010 Shibazaki ..... H01L 21/6838  
355/72  
2016/0093487 A1 \* 3/2016 Huussen ..... H01L 21/67303  
438/758

FOREIGN PATENT DOCUMENTS

CN 114378751 A \* 4/2022 ..... H01L 21/68721  
CN 114628291 A \* 6/2022  
JP 1124837 S 10/2001

\* cited by examiner



**FIG. 1**

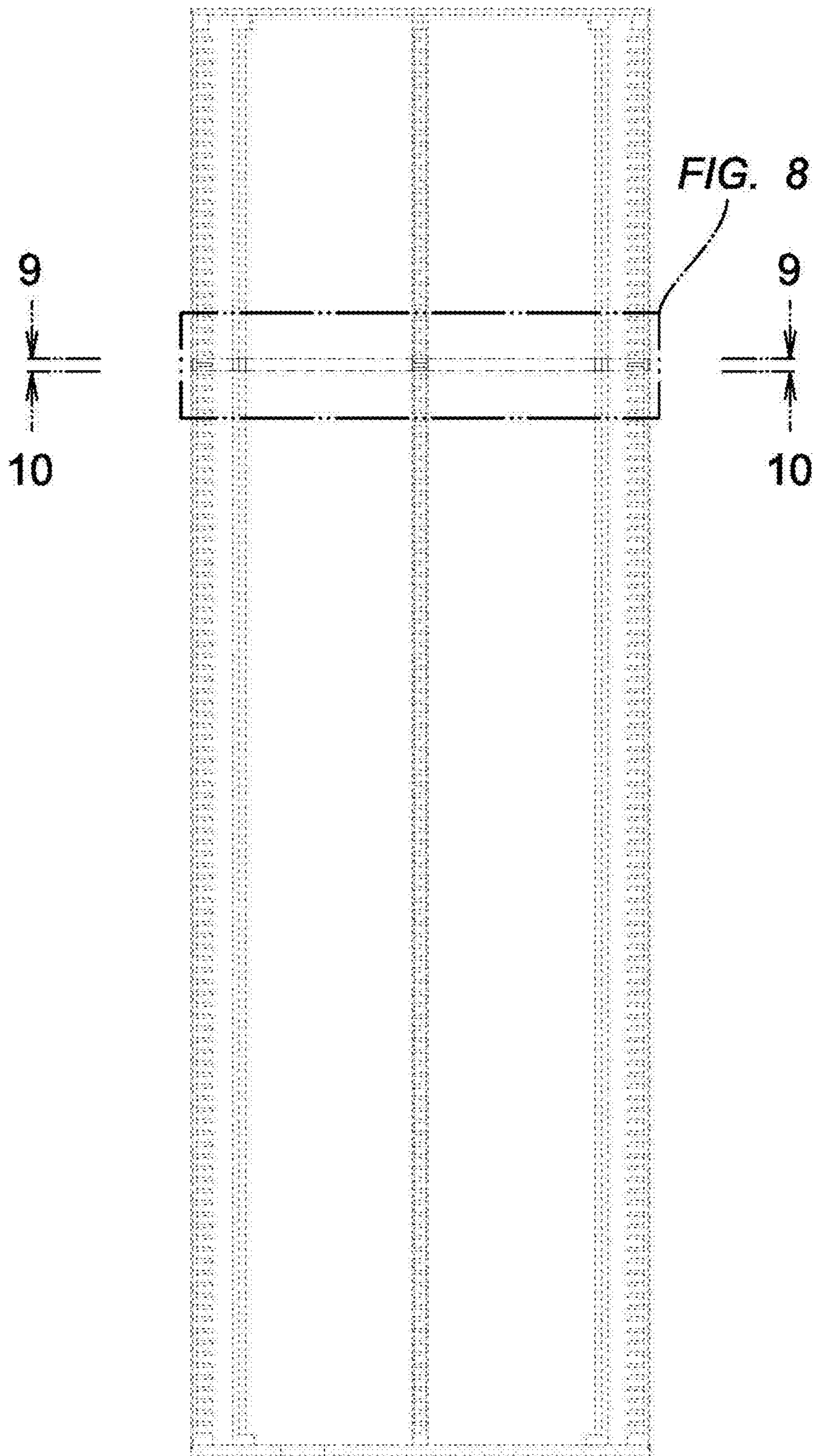
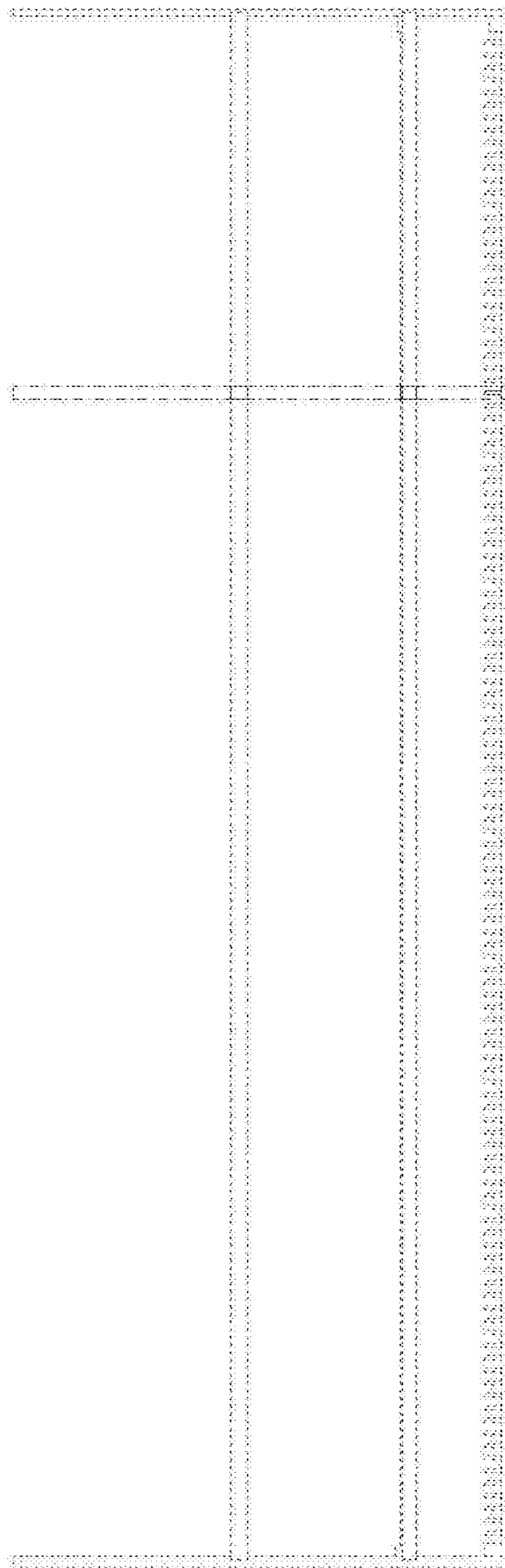
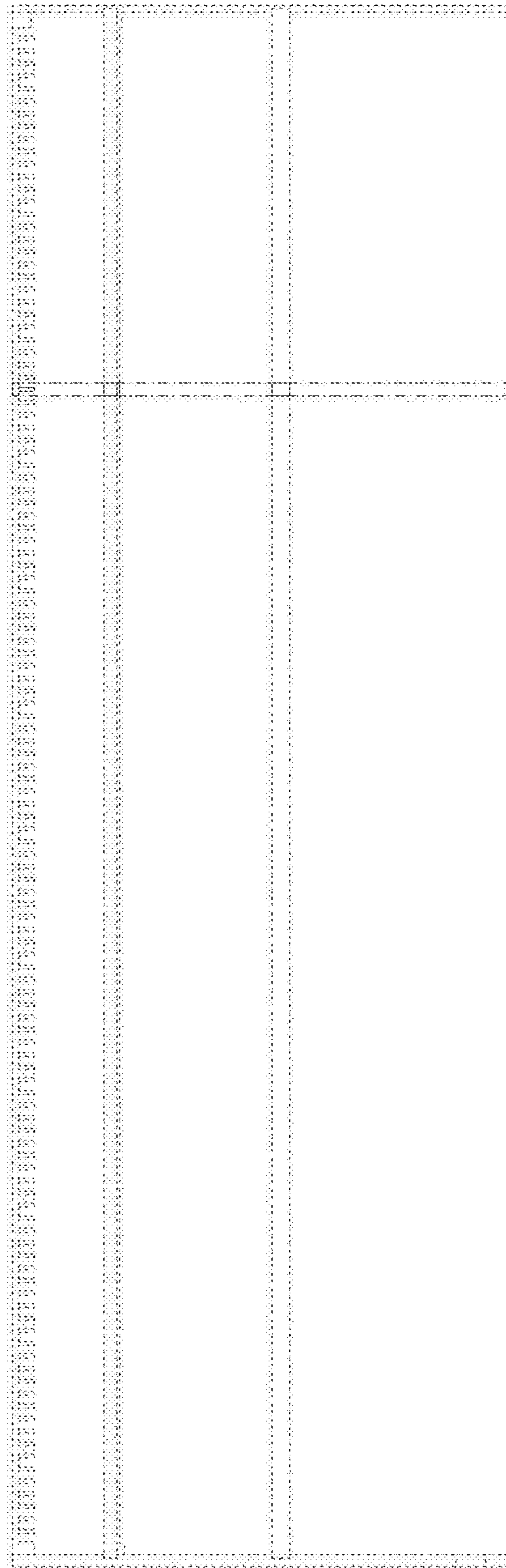


FIG. 2

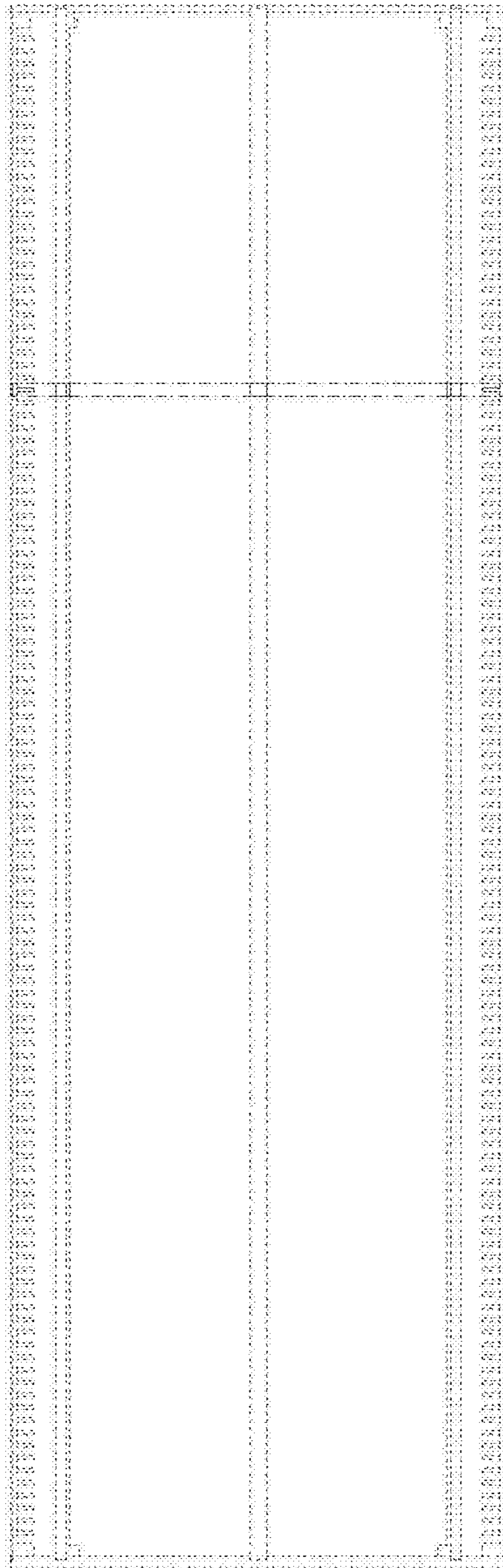




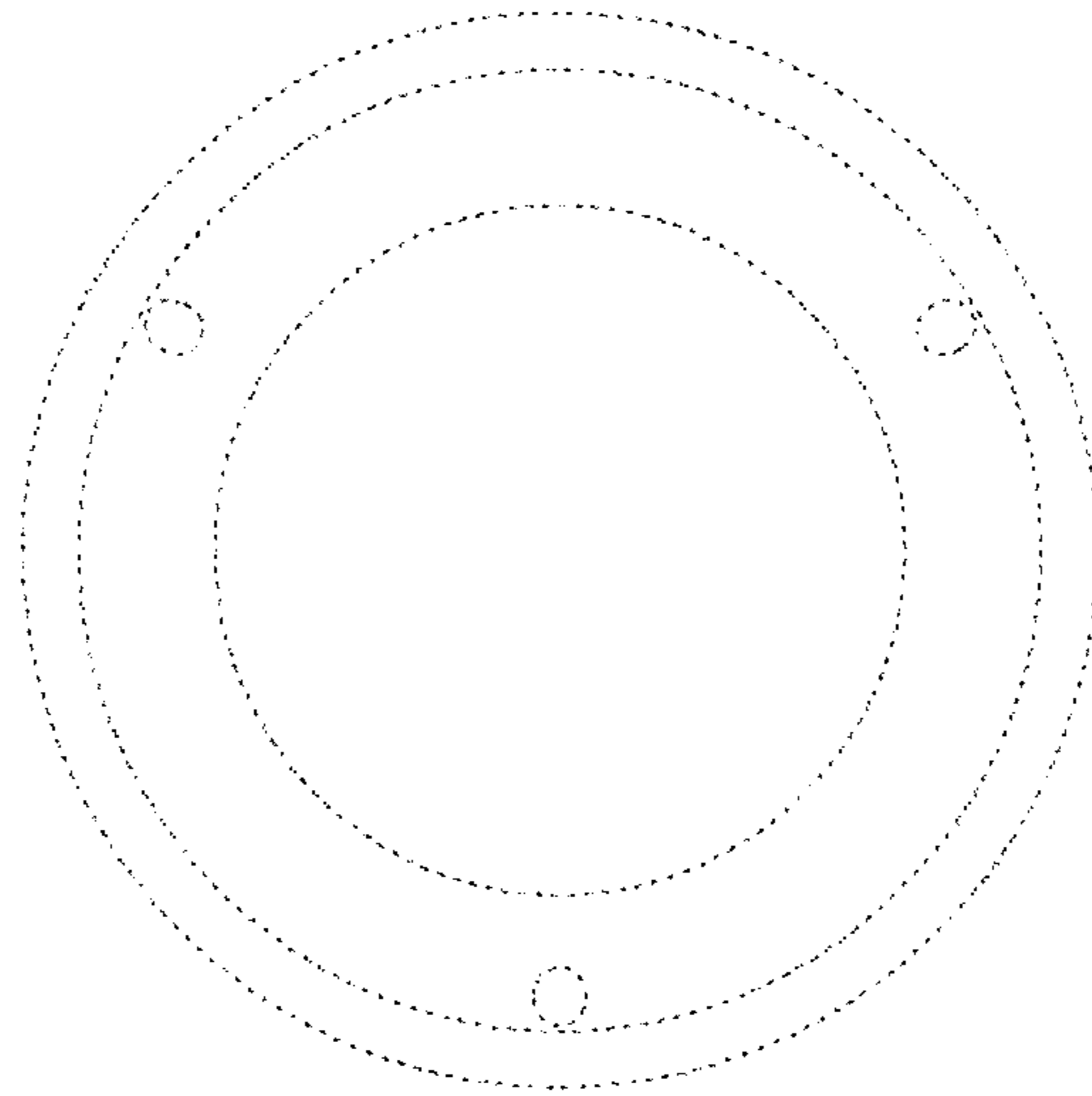
**FIG. 3**



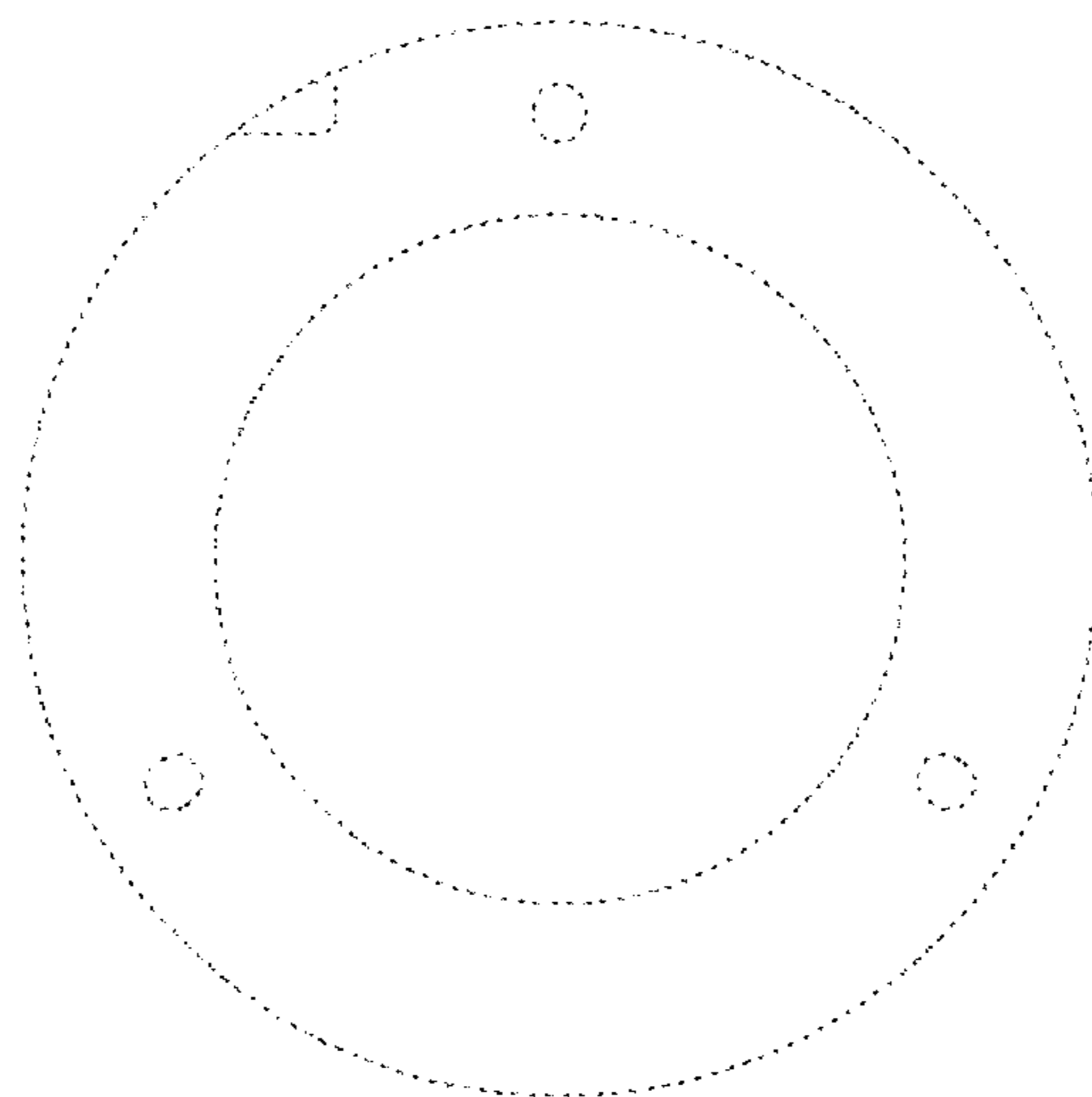
**FIG. 4**



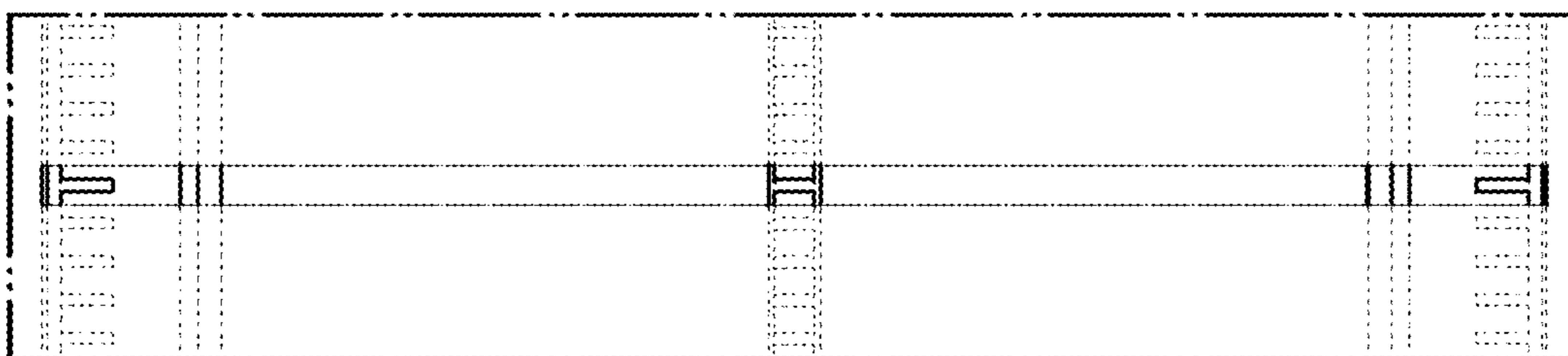
**FIG. 5**



**FIG. 6**

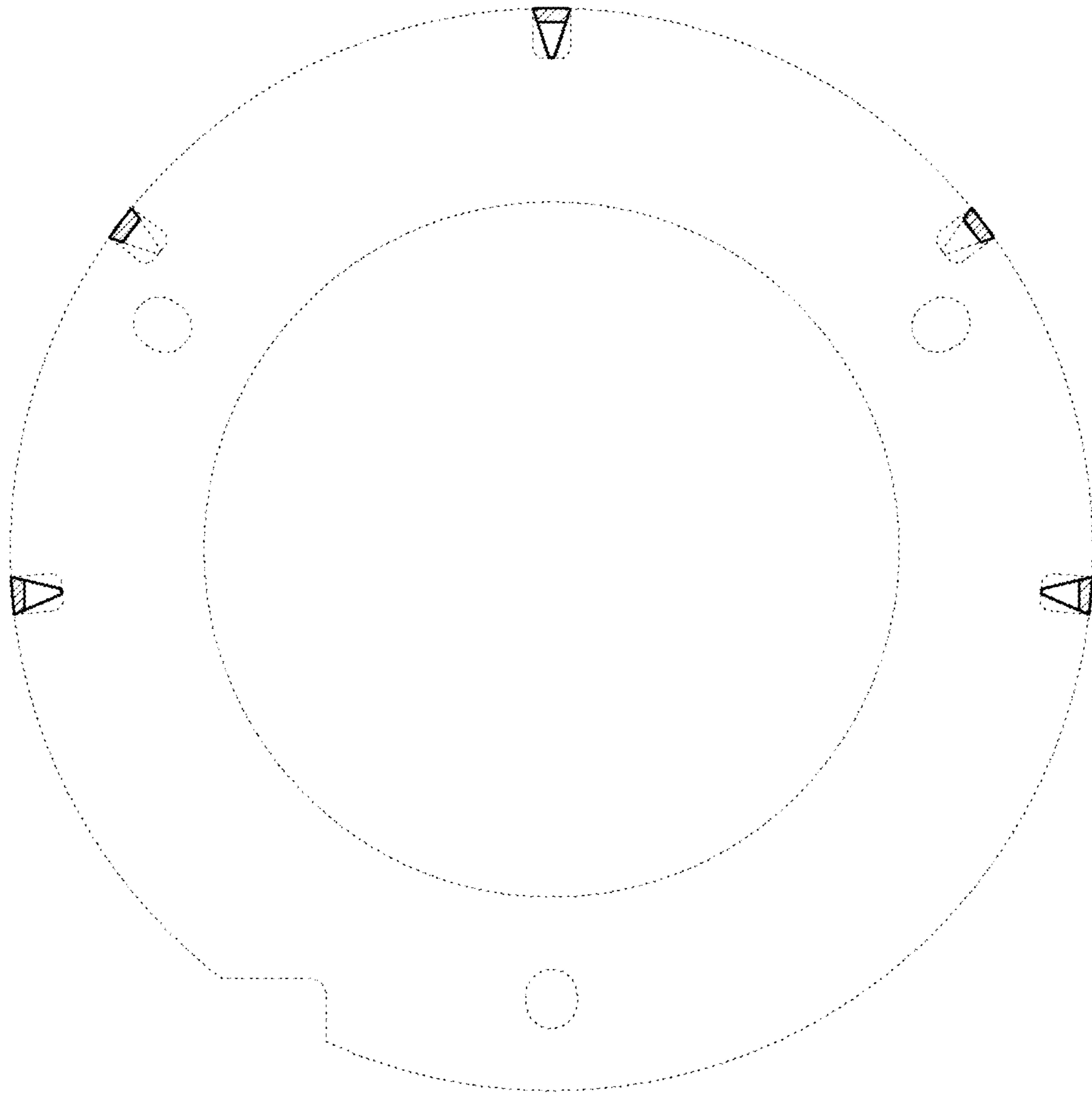


**FIG. 7**

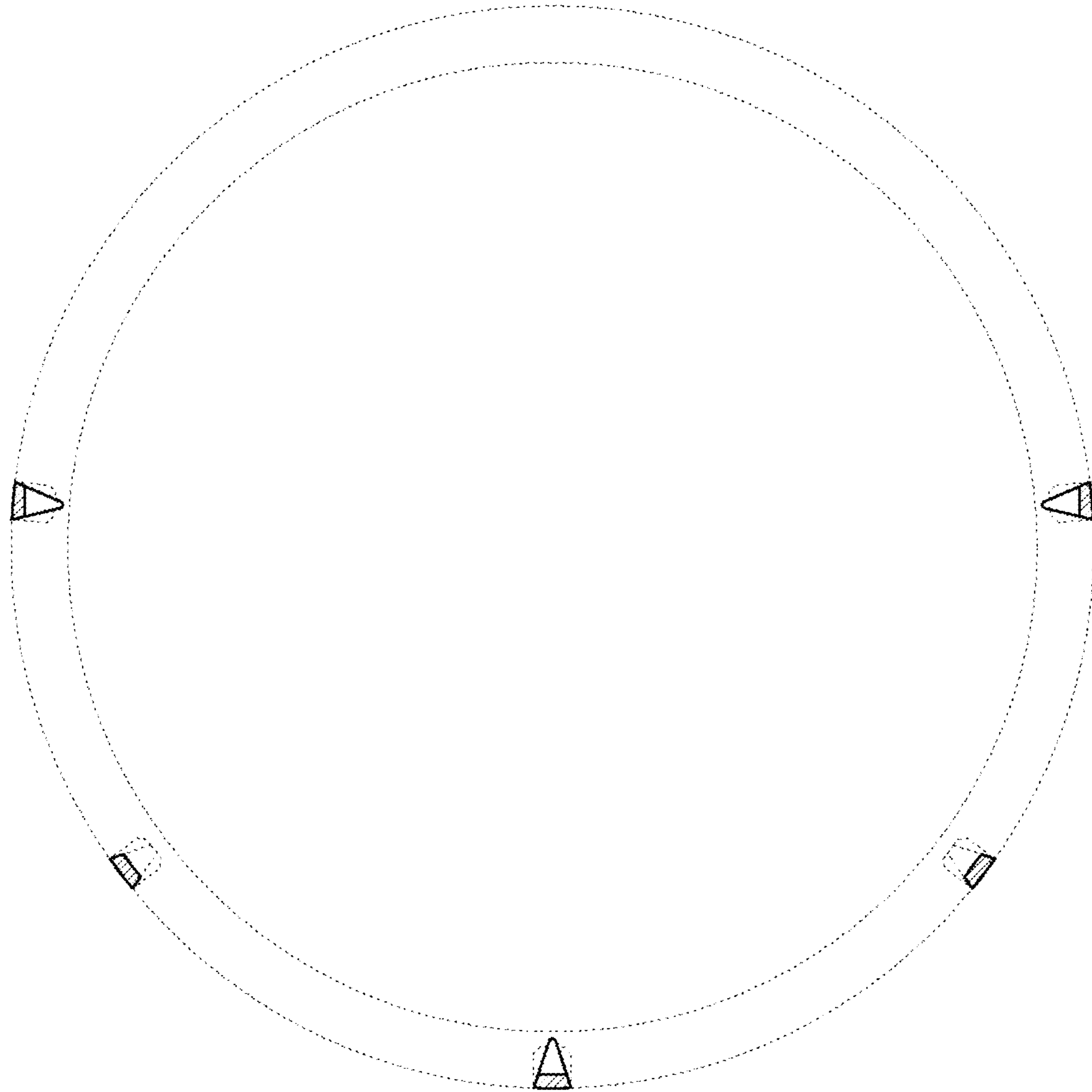


**FIG. 8**





**FIG. 9**



**FIG. 10**

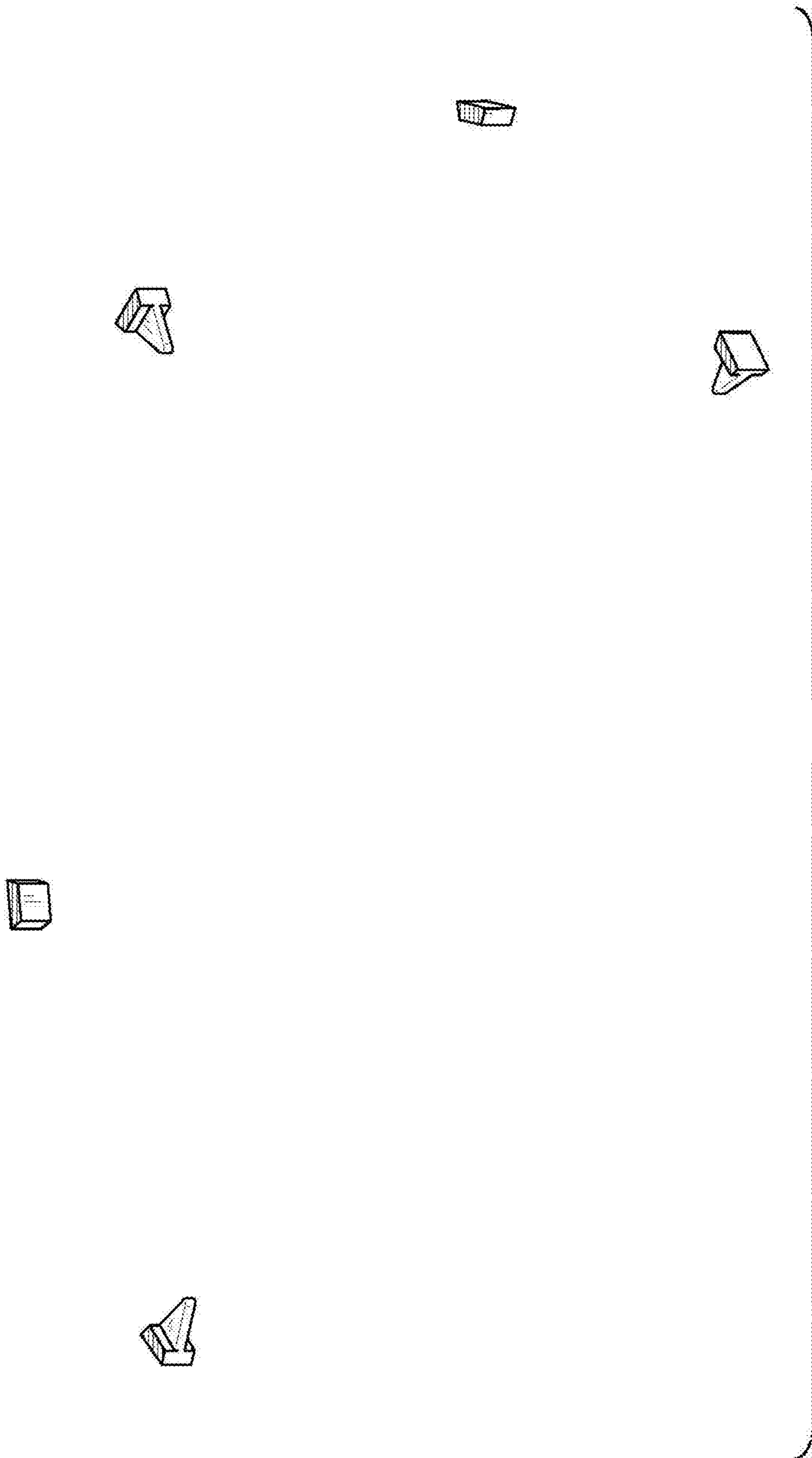


FIG. 11



FIG. 12

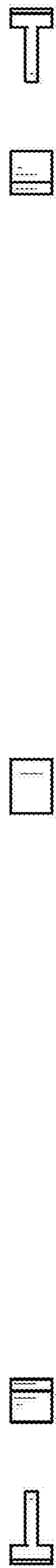
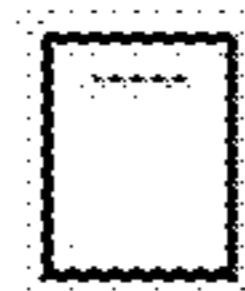
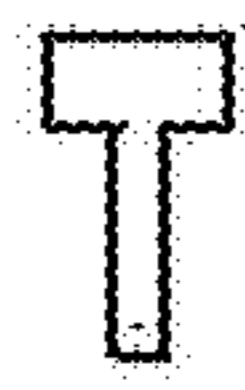
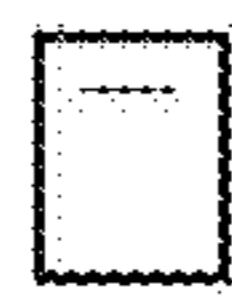


FIG. 13



**FIG. 14**



**FIG. 15**



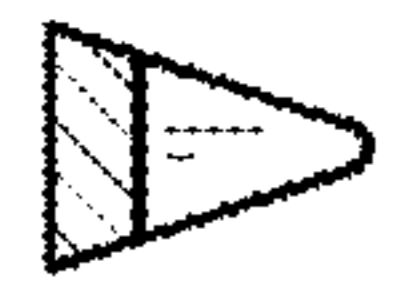


FIG. 16

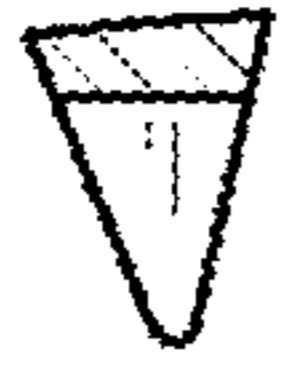


FIG. 17