



US00D981969S

(12) **United States Design Patent** (10) **Patent No.:** **US D981,969 S**
Akazawa et al. (45) **Date of Patent:** **** Mar. 28, 2023**

(54) **ELASTIC MEMBRANE FOR SEMICONDUCTOR WAFER POLISHING APPARATUS**

(71) Applicant: **EBARA CORPORATION**, Tokyo (JP)

(72) Inventors: **Kenichi Akazawa**, Tokyo (JP); **Tomoko Owada**, Tokyo (JP); **Osamu Nabeya**, Tokyo (JP); **Makoto Fukushima**, Tokyo (JP); **Yuichi Kato**, Tokyo (JP)

(73) Assignee: **EBARA CORPORATION**, Tokyo (JP)

(**) Term: **15 Years**

(21) Appl. No.: **29/794,758**

(22) Filed: **Jun. 15, 2021**

(30) **Foreign Application Priority Data**

Dec. 18, 2020 (JP) 2020-027290 D

(51) **LOC (14) Cl.** **13-03**

(52) **U.S. Cl.**
USPC **D13/182**

(58) **Field of Classification Search**
USPC D13/123, 182, 184, 199; D15/144, D15/144.1, 199
CPC C23C 16/4582; C23C 16/4583; C23C 16/4585; C23C 16/4586; C30B 25/10; H01L 21/68
See application file for complete search history.

(56) **References Cited**

U.S. PATENT DOCUMENTS

D364,384 S * 11/1995 Shimizu D13/146
6,659,850 B2 * 12/2003 Korovin B24B 37/32
451/286
D633,452 S * 3/2011 Namiki D13/182
D769,200 S * 10/2016 Fukushima D13/182

D770,990 S * 11/2016 Fukushima D13/182
D790,041 S * 6/2017 Jang D23/259
D808,349 S * 1/2018 Fukushima D13/182
D813,180 S * 3/2018 Fukushima D13/182
D839,224 S * 1/2019 Yamaki D13/182
D859,332 S 9/2019 Yamaki et al.
10,537,975 B2 1/2020 Shinozaki et al.
D913,977 S * 3/2021 Yamaki D13/182
D918,161 S * 5/2021 Togashi B32B 3/08
D13/182

FOREIGN PATENT DOCUMENTS

TW D167111 4/2015
TW D197827 6/2019
TW D215079 11/2021

* cited by examiner

Primary Examiner — Shawn T Gingrich

Assistant Examiner — Caleb M Baker

(74) *Attorney, Agent, or Firm* — Pearne & Gordon LLP

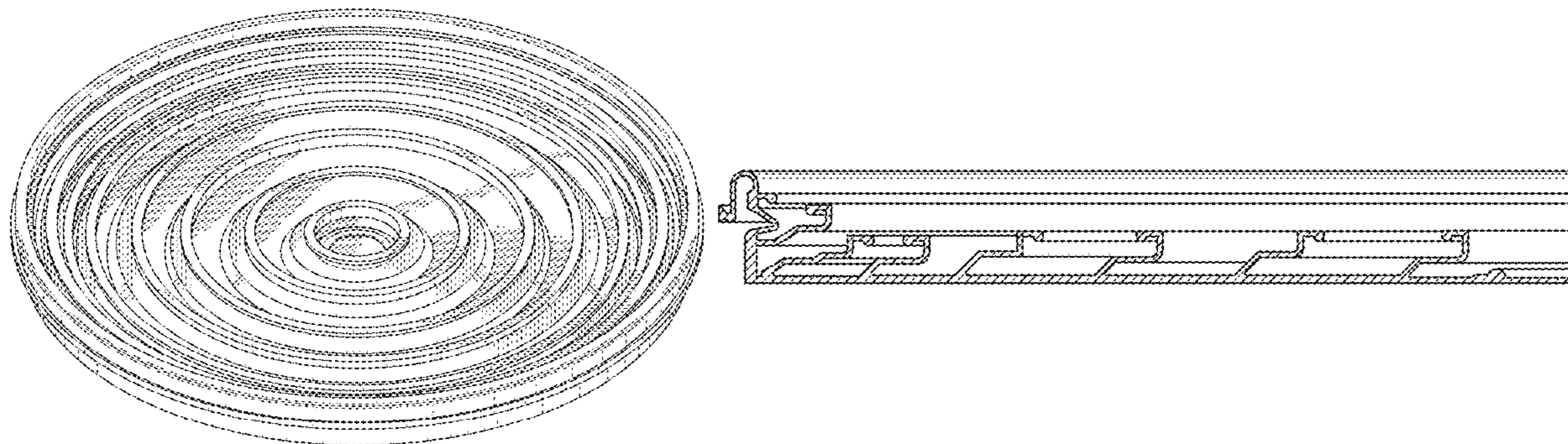
(57) **CLAIM**

The ornamental design for an elastic membrane for semiconductor wafer polishing apparatus, as shown and described.

DESCRIPTION

FIG. 1 is a top perspective view of an elastic membrane for semiconductor wafer polishing apparatus showing our new design;
FIG. 2 is a bottom perspective view thereof;
FIG. 3 is a top view thereof;
FIG. 4 is a bottom view thereof;
FIG. 5 is a front view thereof, the rear view being identical;
FIG. 6 is a right-side view thereof, the left-side view being identical;
FIG. 7 is an enlarged cross-sectional end view taken along line 7-7 in FIG. 3 thereof; and,
FIG. 8 is an enlarged detail view of section 8 in FIG. 7 thereof.

1 Claim, 6 Drawing Sheets



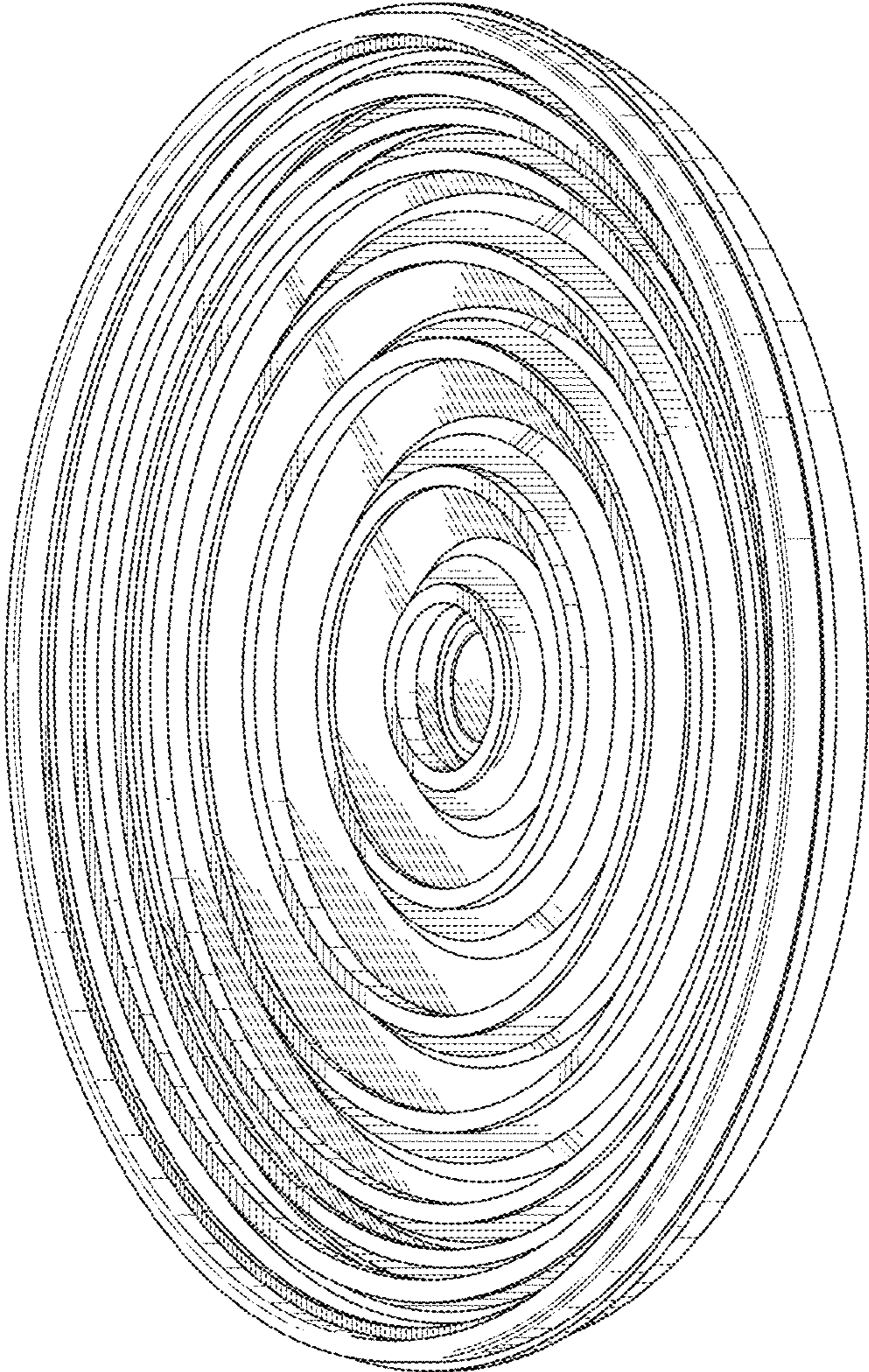


Fig. 1

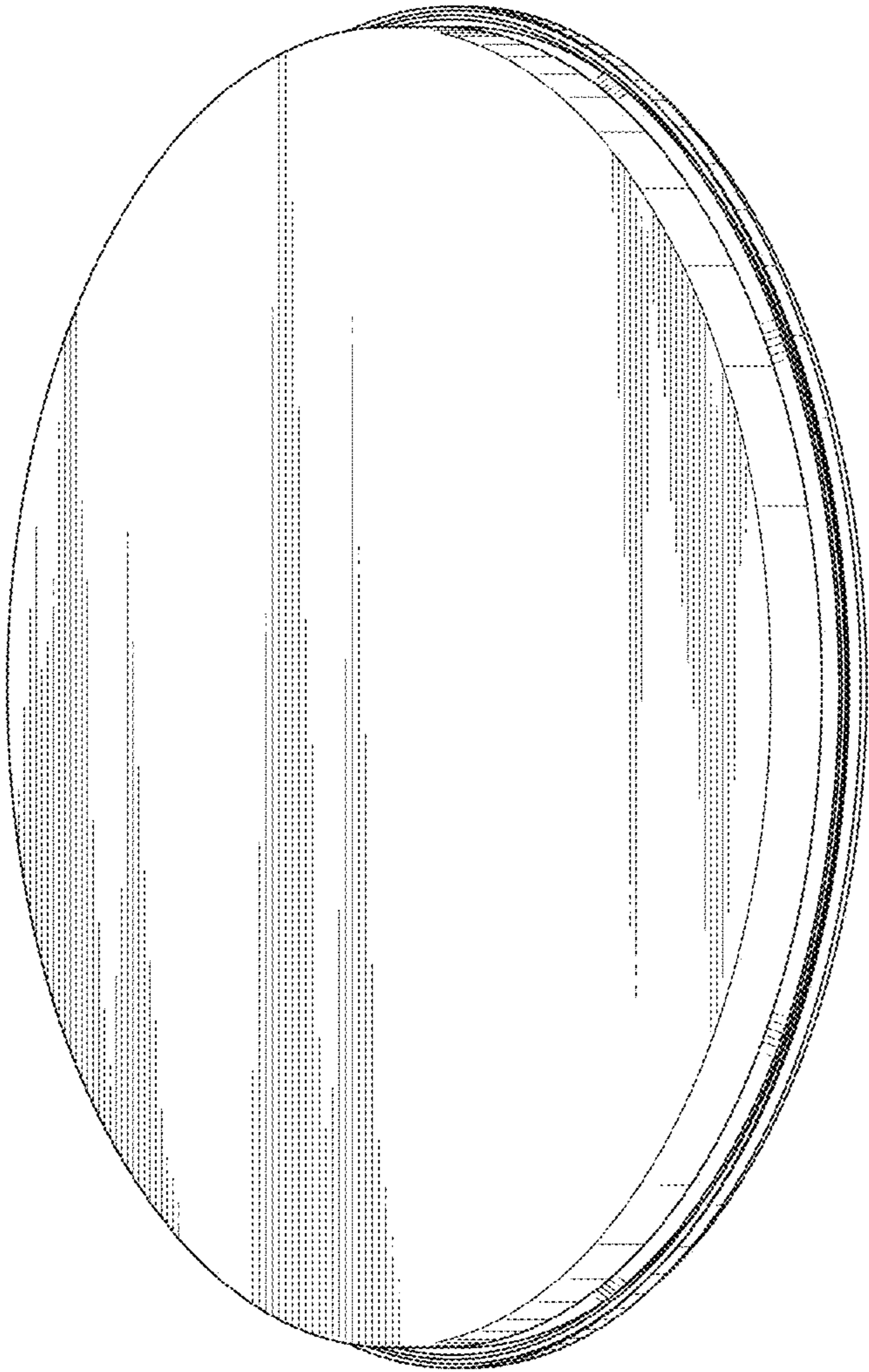


Fig. 2

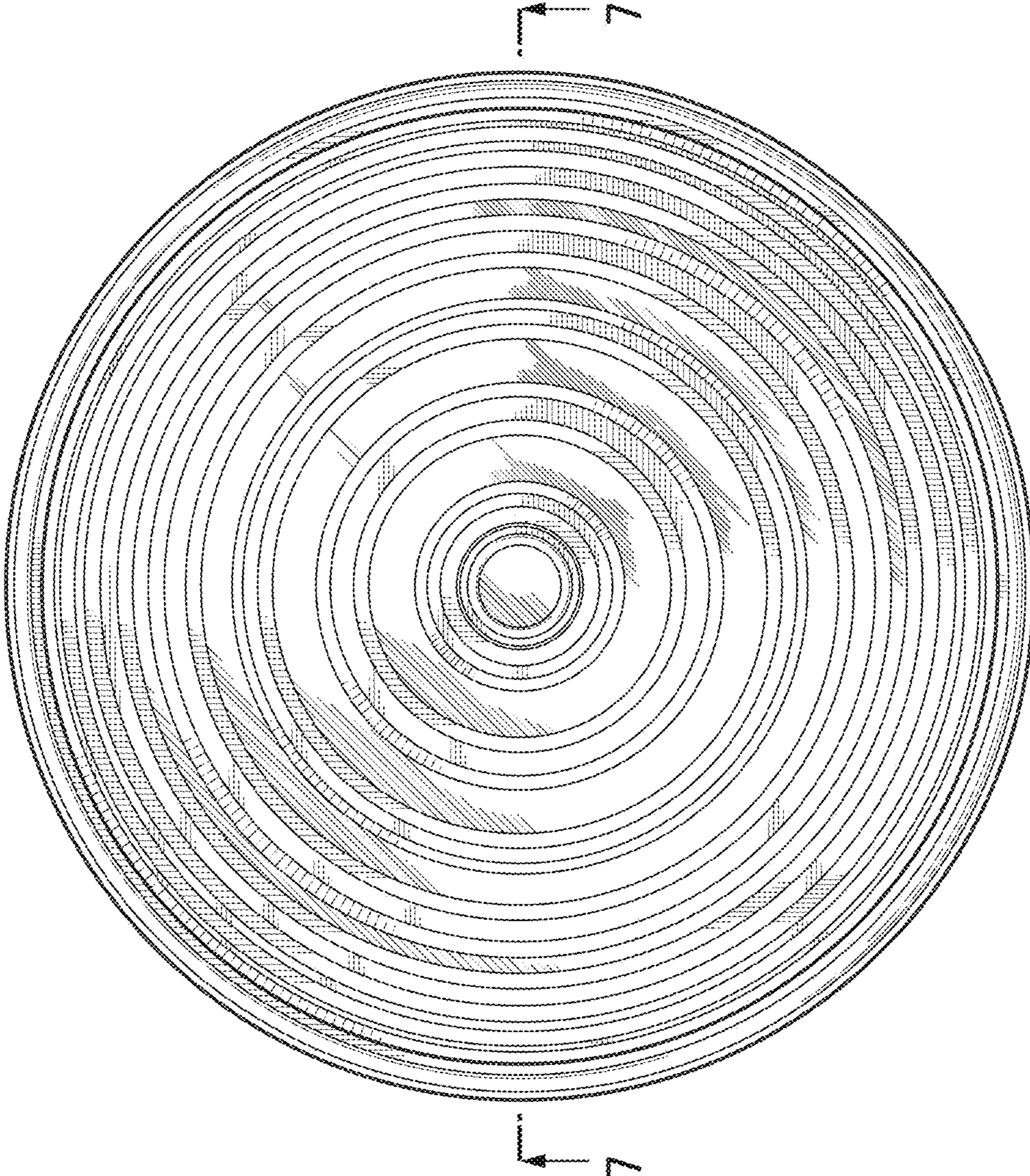


Fig.3

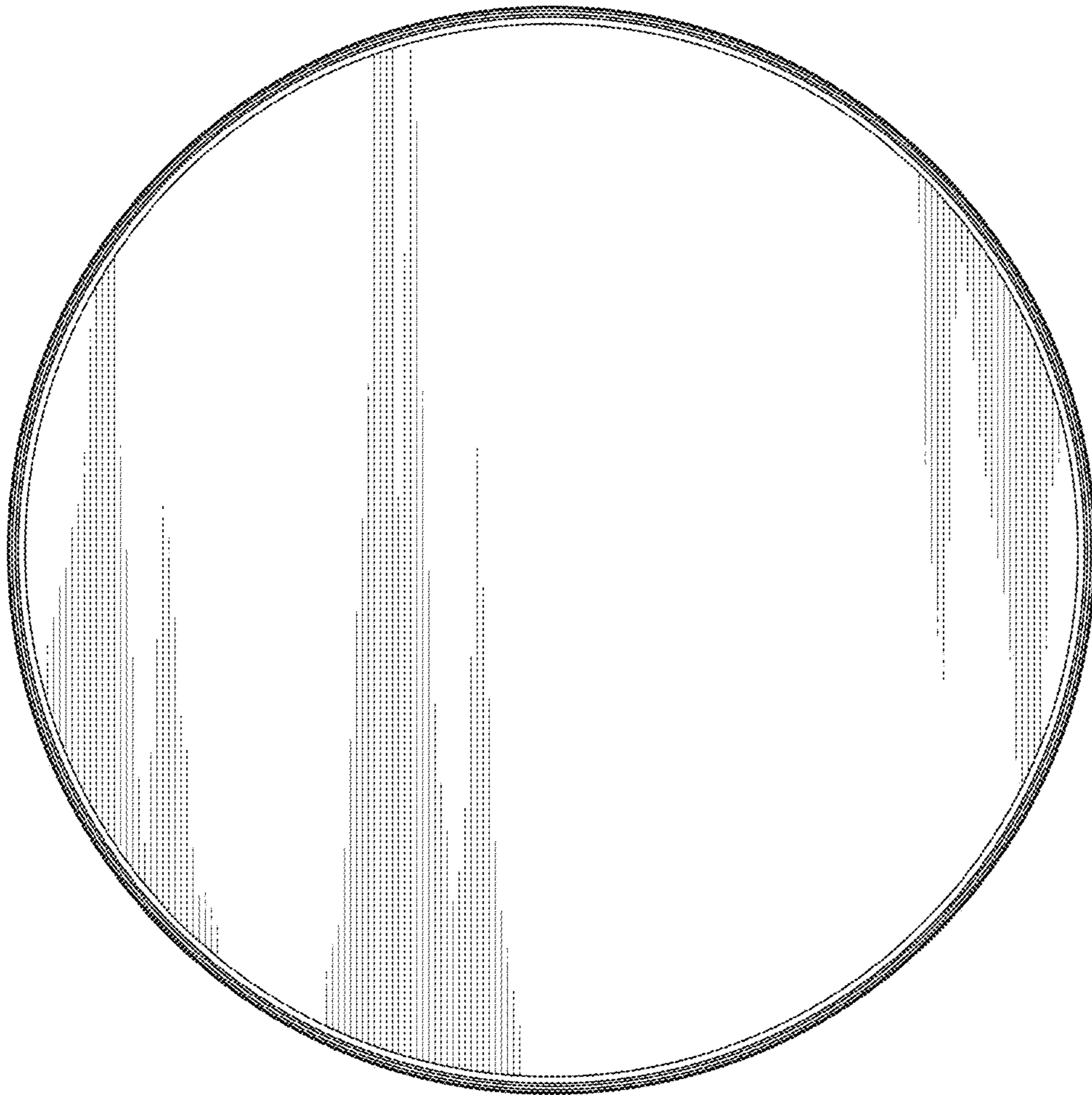


Fig. 4

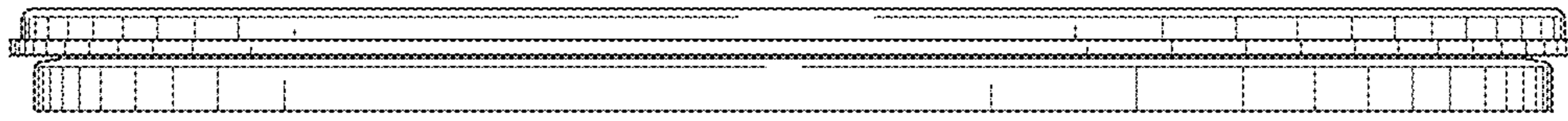


Fig.5

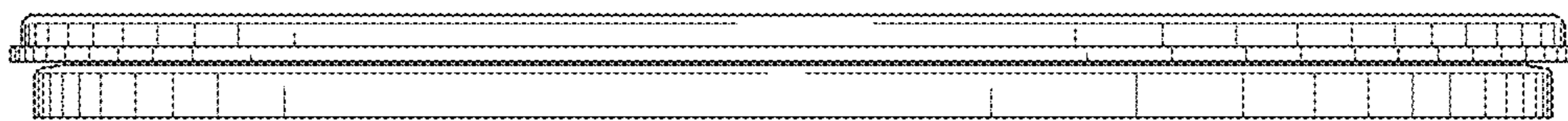


Fig.6

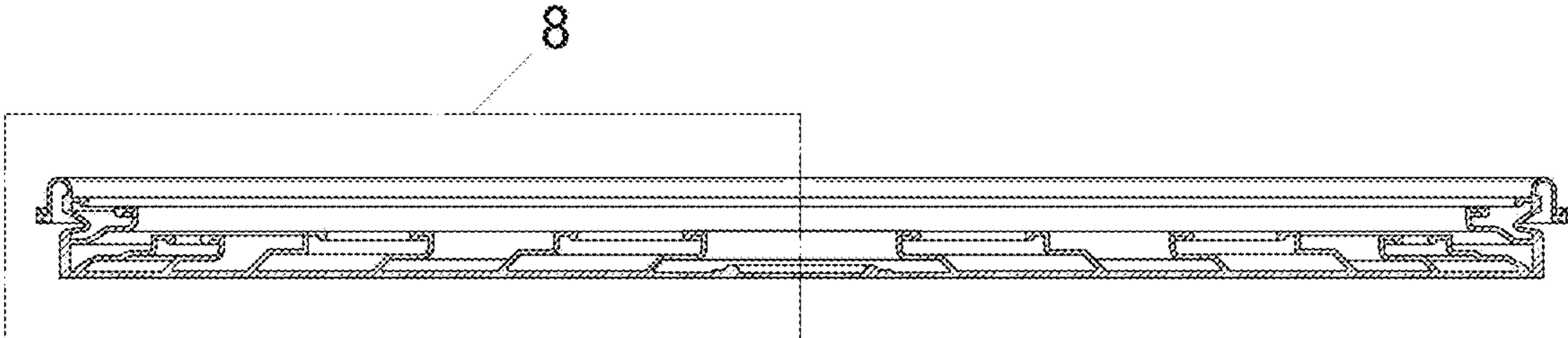


Fig.7

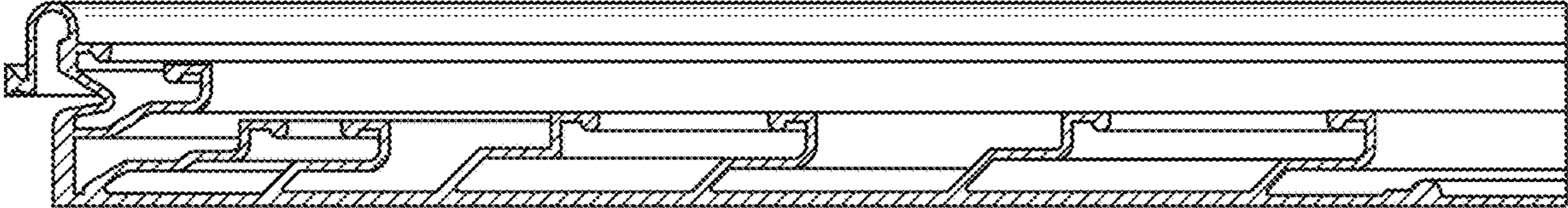


Fig.8