



US00D981968S

(12) **United States Design Patent**
Che

(10) **Patent No.:** **US D981,968 S**
(45) **Date of Patent:** **** Mar. 28, 2023**

(54) **CONTROLLER FOR HEATED CLOTHING**

(71) Applicant: **SHENZHEN KUSEN TECHNOLOGY TRADING CO., LTD.**, Shenzhen (CN)

(72) Inventor: **Er Jun Che**, Shenzhen (CN)

(73) Assignee: **SHENZHEN KUSEN TECHNOLOGY TRADING CO., LTD.**, Shenzhen (CN)

(**) Term: **15 Years**

(21) Appl. No.: **29/823,306**

(22) Filed: **Jan. 16, 2022**

(30) **Foreign Application Priority Data**

Dec. 17, 2021 (CN) 202130838701.3

(51) **LOC (14) Cl.** **13-03**

(52) **U.S. Cl.**
USPC **D13/174**

(58) **Field of Classification Search**
USPC D13/162, 168, 171, 174
CPC .. H01H 9/02; H01H 9/16; H01H 9/18; H01H 9/181; H01H 9/182; H01H 23/02; H01H 23/025; H01H 23/04; H01H 23/08; H01H 23/12; H01H 23/14; H01H 23/145; H01H 13/023; H01H 13/04; H01H 13/06; H01H 2009/187; H05B 39/02; H05B 39/04; H05B 39/085; H05B 39/086; H05B 39/088; G08C 17/02

See application file for complete search history.

(56) **References Cited**

U.S. PATENT DOCUMENTS

4,297,556 A * 10/1981 Taylor H01H 3/12
200/341
D300,528 S * 4/1989 Drane D13/171

D305,022 S * 12/1989 Hallgren D13/171
D442,921 S * 5/2001 Bonn D13/174
D512,967 S 12/2005 Kosumsuppamala et al.
D550,301 S * 9/2007 Luciano, Jr D21/385
7,378,605 B2 * 5/2008 Lo H01H 13/84
200/600
7,470,869 B2 * 12/2008 Lin H01H 13/12
200/341
D611,916 S * 3/2010 Wu D13/171
7,820,924 B2 * 10/2010 Stilley G06F 1/1662
200/6 A
D654,880 S * 2/2012 Lam D13/174
D691,098 S * 10/2013 Li D13/174
D692,841 S * 11/2013 Li D13/174
D733,078 S * 6/2015 Wu D13/174
D741,271 S * 10/2015 Noack D13/174

(Continued)

OTHER PUBLICATIONS

Amazon.com; iHood Men's Heated Vest with Battery Pack; Sep. 1, 2021; 2 pgs.*

Primary Examiner — Selina Sikder

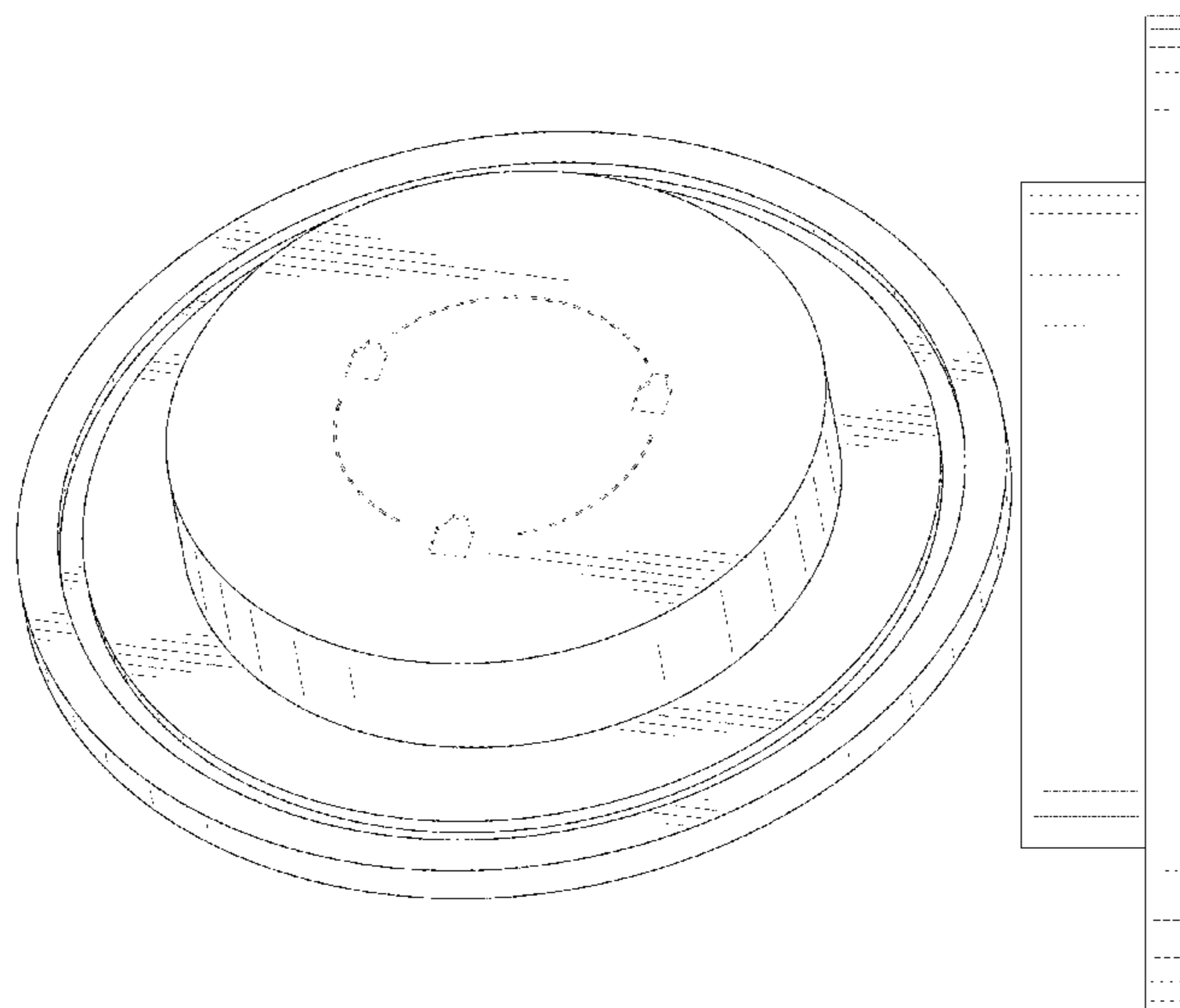
(57) **CLAIM**

The ornamental design for a controller for heated clothing, as shown and described.

DESCRIPTION

FIG. 1 is a perspective view of a controller for heated clothing showing my new design;
FIG. 2 is another perspective view thereof;
FIG. 3 is a front elevational view thereof;
FIG. 4 is a rear elevational view thereof;
FIG. 5 is a left side elevational view thereof;
FIG. 6 is a right side elevational view thereof;
FIG. 7 is a top plan view thereof; and,
FIG. 8 is a bottom plan view thereof.
The broken lines in the drawings depict portions of the controller for heated clothing that form no part of the claimed design.

1 Claim, 8 Drawing Sheets



(56)

References Cited

U.S. PATENT DOCUMENTS

D748,590 S *	2/2016	Dorn	D13/174	2010/0116629 A1 *	5/2010	Borissov	H01H 25/008 200/341
D767,509 S	9/2016	Lavin, Jr.		2014/0353134 A1 *	12/2014	Muller	H01H 3/38 200/5 A
D772,537 S *	11/2016	Lavin, Jr.	D2/853	2014/0353300 A1 *	12/2014	Swiatek	H05B 1/0272 219/211
D795,536 S *	8/2017	Lavin, Jr.	D2/853	2016/0378200 A1 *	12/2016	Lee	G06F 3/03547 345/158
D865,685 S *	11/2019	Adenau	D13/174	2017/0332499 A1 *	11/2017	Senzaki	H05K 5/0017
D877,096 S *	3/2020	Stiehl	D13/174	2018/0337008 A1 *	11/2018	Uchida	H01H 13/14
D909,316 S *	2/2021	Ayers	D13/174	2018/0375303 A1 *	12/2018	Thizon	F21V 21/002
D916,670 S *	4/2021	Knupfer	D13/171	2019/0056794 A1 *	2/2019	Goldberg	H01H 13/14
D920,042 S *	5/2021	Godinger	D7/393	2019/0088422 A1 *	3/2019	Thizon	H01H 13/14
D939,456 S *	12/2021	Becker	D13/171	2019/0206634 A1 *	7/2019	Chang	H01H 13/12
D954,003 S *	6/2022	Nie	D13/164	2020/0219684 A1 *	7/2020	Ito	H01H 25/041
2005/0126900 A1 *	6/2005	Wang	H01H 13/52 200/341	2020/0330697 A1 *	10/2020	Collings	H01H 3/12
2008/0257697 A1 *	10/2008	Kim	G05G 1/02 200/310	2021/0129796 A1 *	5/2021	Sago	H01H 9/168
2009/0315306 A1 *	12/2009	Worrell	B60Q 5/003 74/484 H	2022/0068573 A1 *	3/2022	Bruchschmidt	H01H 9/16
				2022/0202974 A1 *	6/2022	Lee	H05K 7/1427

* cited by examiner

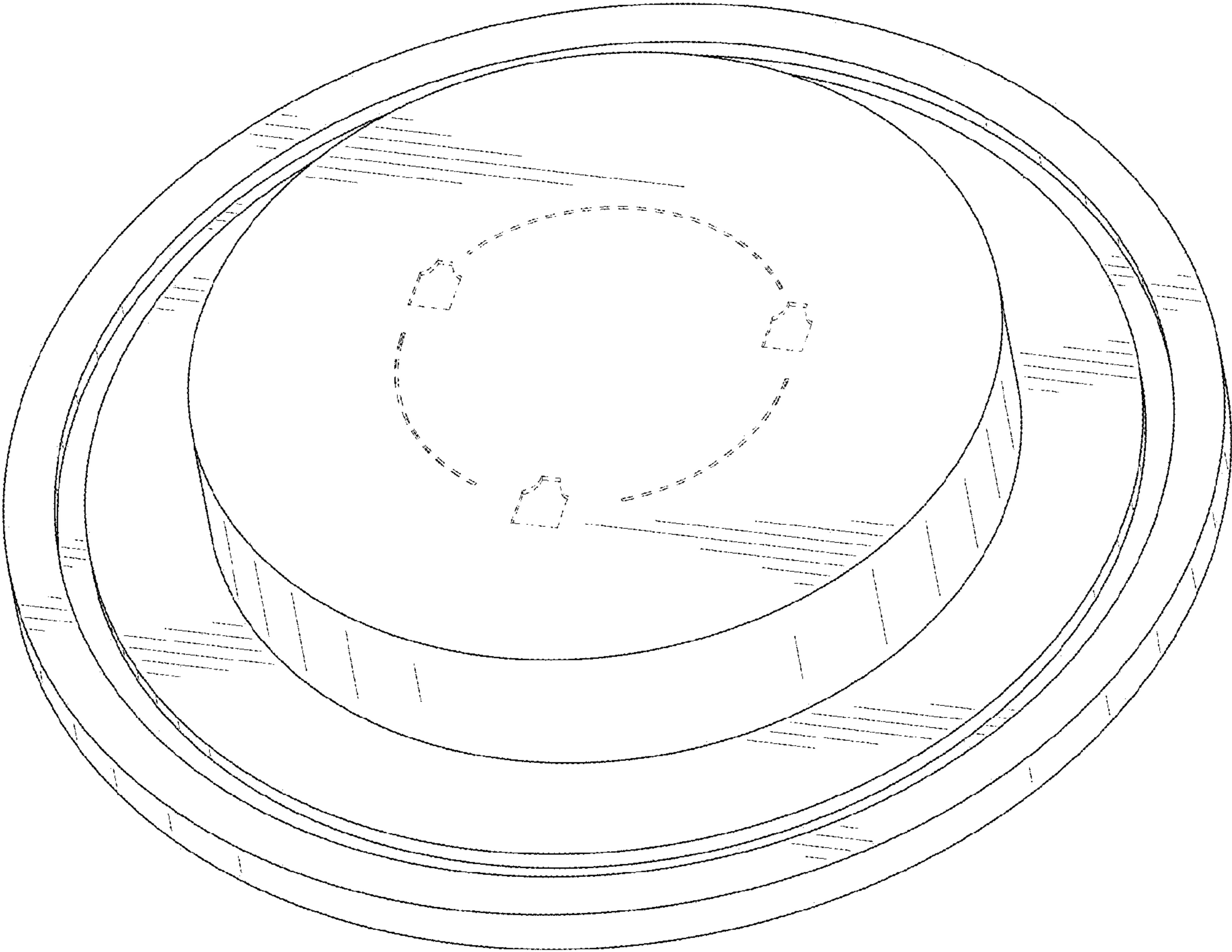


FIG. 1

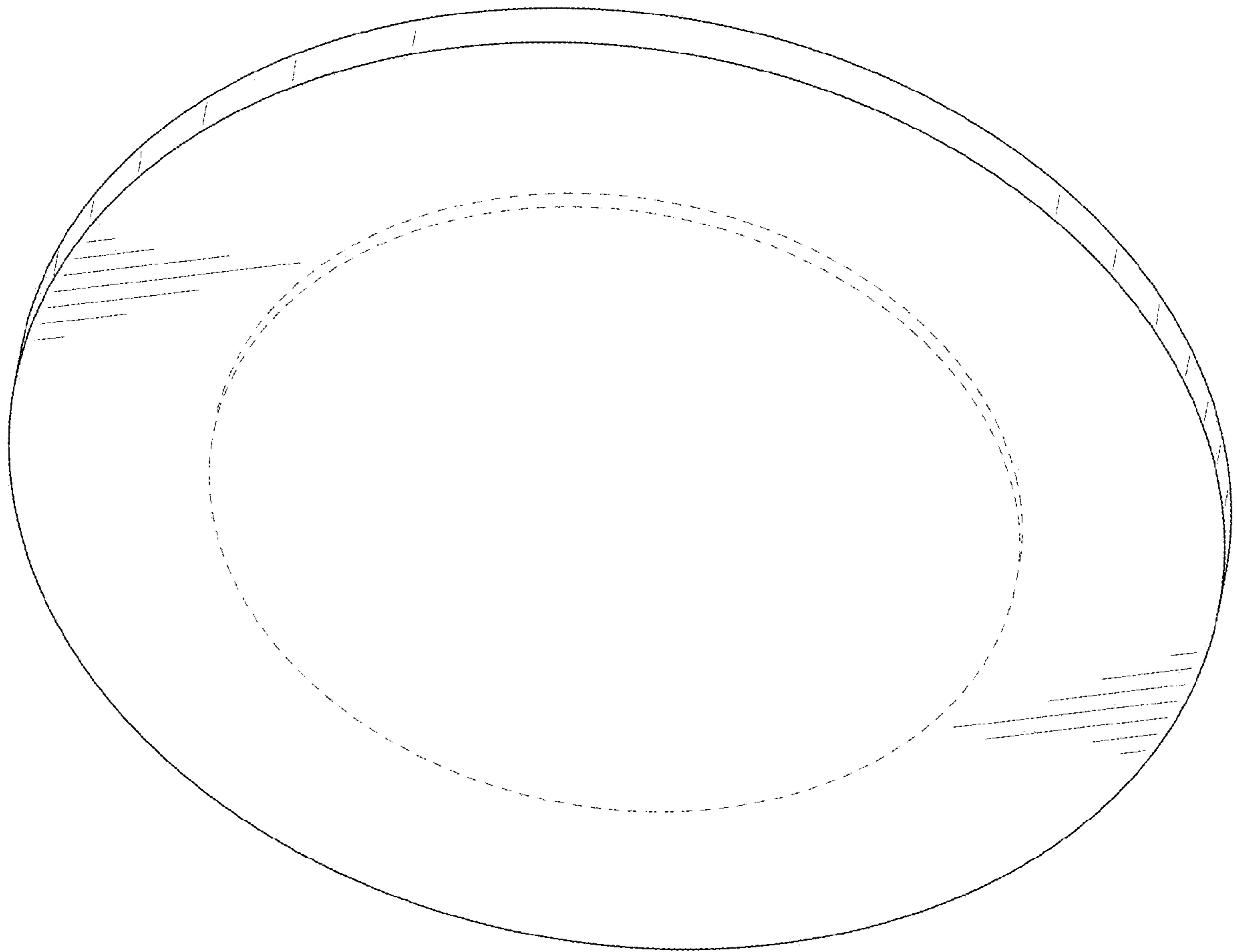


FIG. 2

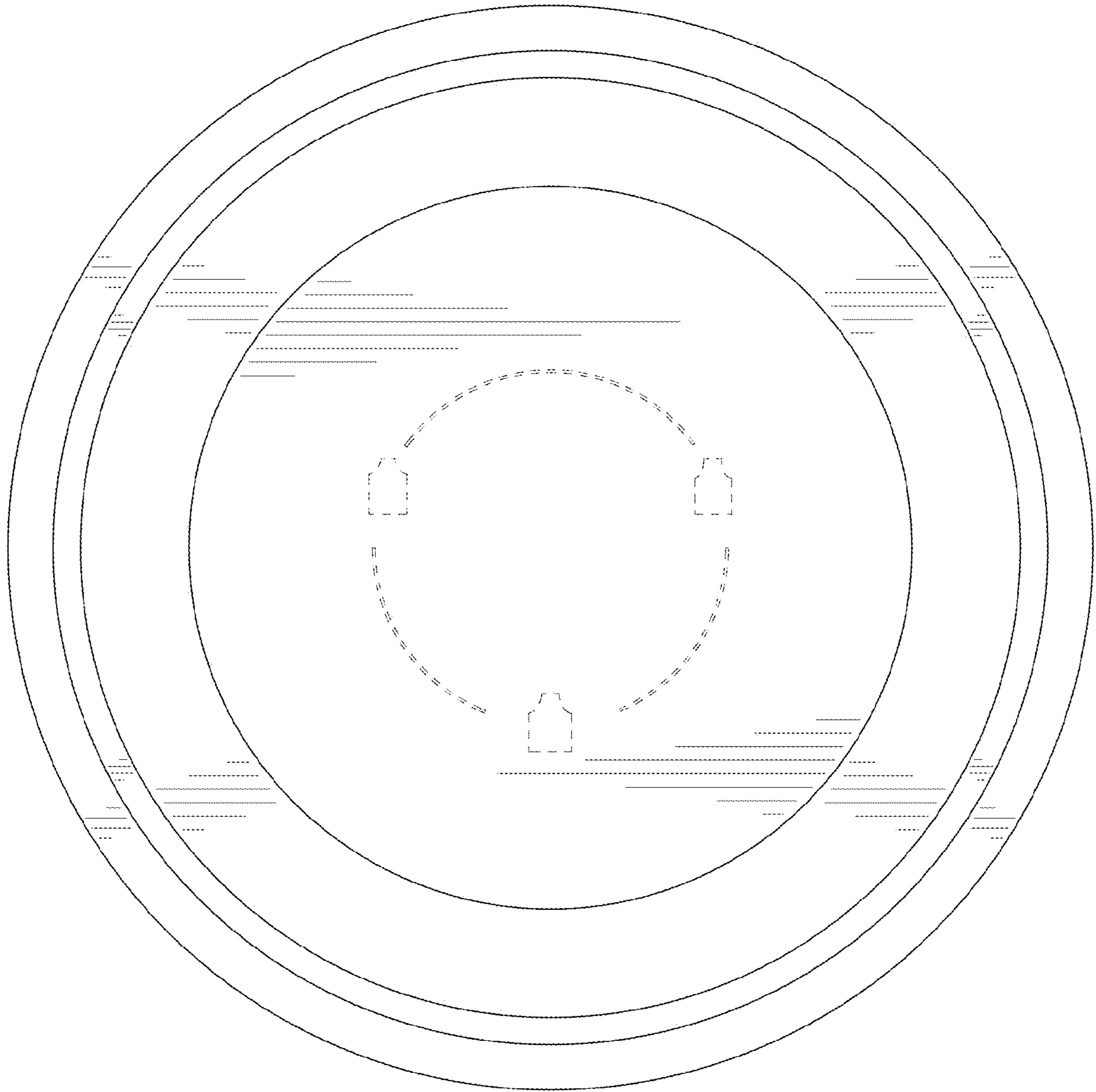


FIG. 3

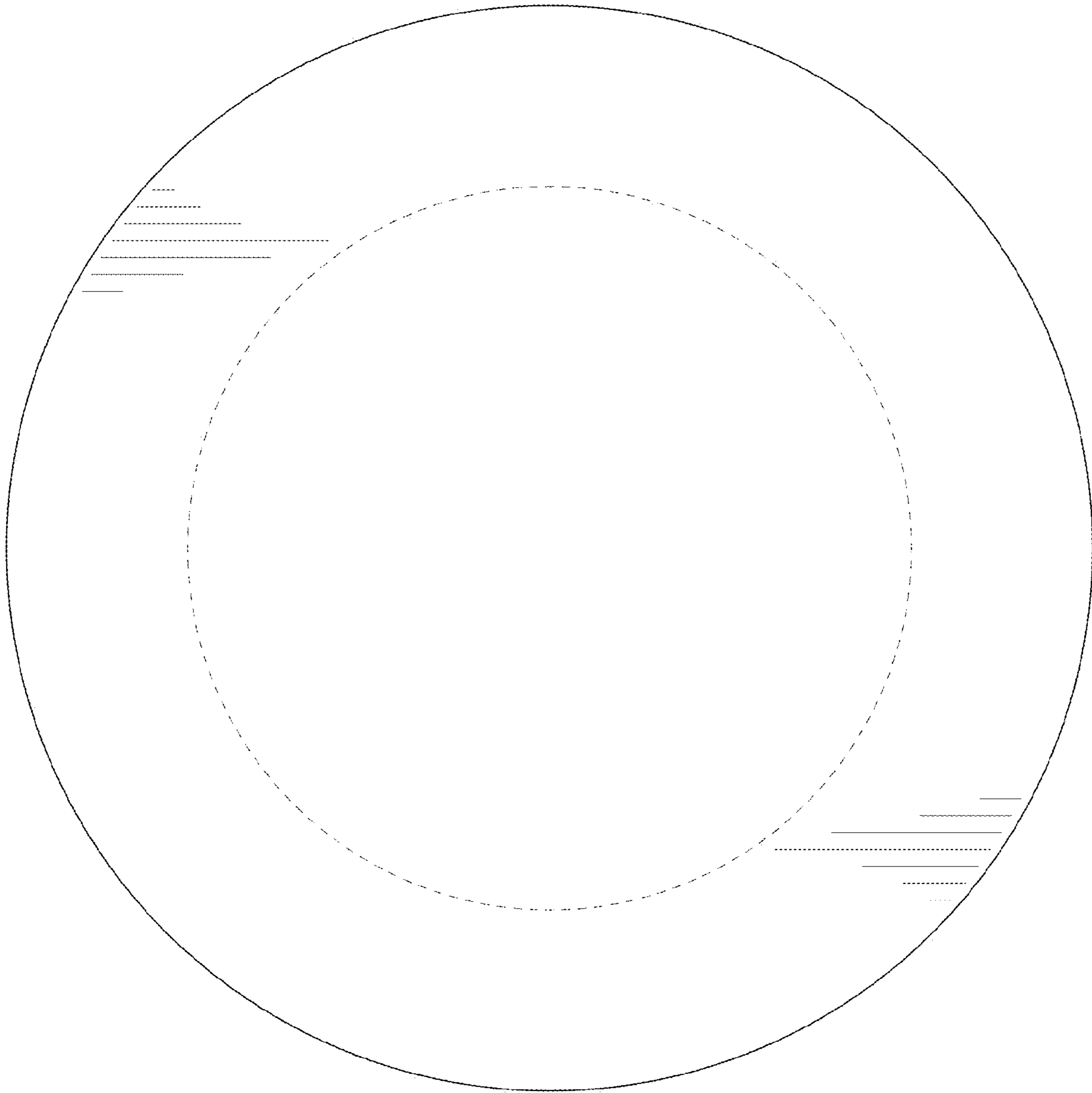


FIG. 4

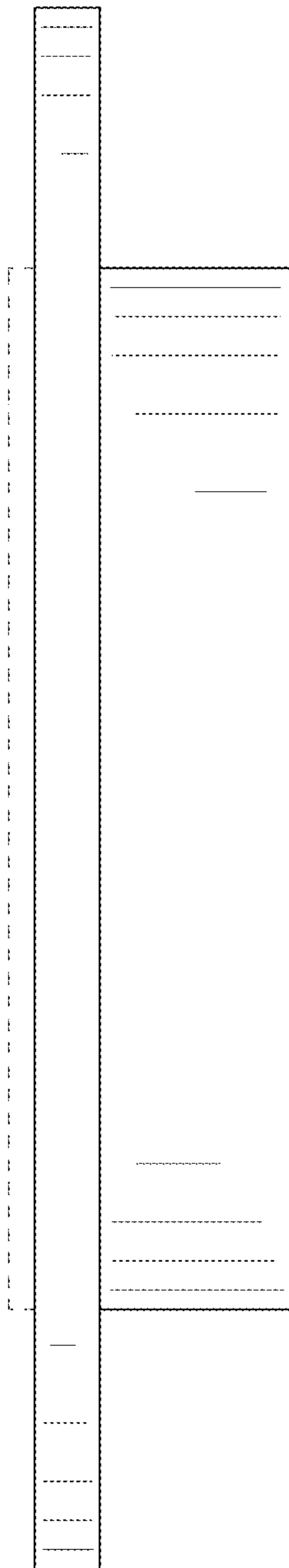


FIG. 5

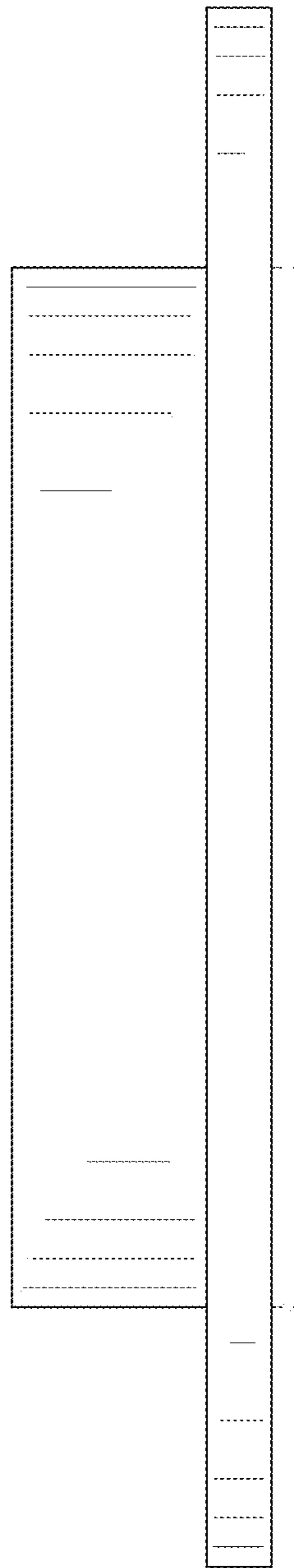


FIG. 6

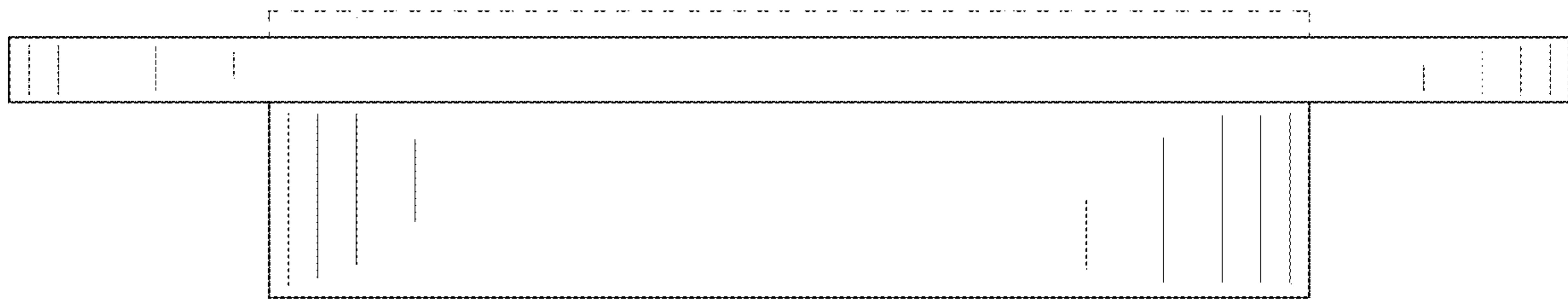


FIG. 7

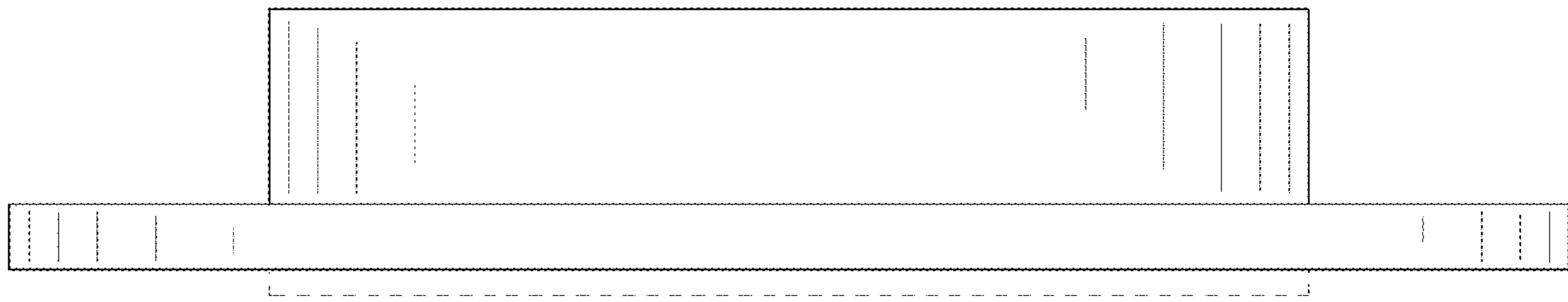


FIG. 8