



US00D981966S

(12) **United States Design Patent**
Mukai et al.

(10) **Patent No.:** **US D981,966 S**
(45) **Date of Patent:** **** Mar. 28, 2023**

(54) **FUSE**

(71) Applicant: **Dexerials Corporation**, Tokyo (JP)

(72) Inventors: **Koichi Mukai**, Tochigi (JP); **Yoshihiro Yoneda**, Tochigi (JP)

(73) Assignee: **Dexerials Corporation**, Tokyo (JP)

(**) Term: **15 Years**

(21) Appl. No.: **29/798,218**

(22) Filed: **Jul. 7, 2021**

(30) **Foreign Application Priority Data**

Jan. 18, 2021 (JP) 2021-000872 D

(51) **LOC (14) Cl.** **13-03**

(52) **U.S. Cl.**
USPC **D13/161; D13/160; D13/182**

(58) **Field of Classification Search**
USPC **D10/81; D13/103, 107, 118-120, 147, D13/158-161, 173, 178, 180, 182-184, D13/199; D26/1**

CPC **H01H 37/76; H01H 85/06; H01H 85/08; H01H 85/0052; H01H 85/0411; H01H 85/0412; H01H 85/11; H01H 85/17; H01H 85/143; H01H 85/175; H01H 85/1755; H01H 2085/0414**

See application file for complete search history.

(56) **References Cited**

U.S. PATENT DOCUMENTS

D416,232 S * 11/1999 Einck D13/160
D416,236 S * 11/1999 Kobayashi D13/182
D475,982 S * 6/2003 Hori D13/182
D602,884 S * 10/2009 Wada D13/180
D695,239 S * 12/2013 Ko D13/180

(Continued)

FOREIGN PATENT DOCUMENTS

JP 2015035280 A * 2/2015
JP 2015106542 A * 6/2015 H01H 37/76

(Continued)

OTHER PUBLICATIONS

Dexerials, Date: Jun. 23, 2021, [online], [site visited Aug. 15, 2022]. Available from internet, URL: <https://www.dexerials.jp/en/products/surface-mounted-type-fuse/psk062065.html> (Year: 2021).*

(Continued)

Primary Examiner — Shawn T Gingrich

Assistant Examiner — Bryan N. Melvin

(74) *Attorney, Agent, or Firm* — Kenja IP Law PC

(57) **CLAIM**

The ornamental design for a fuse, as shown and described.

DESCRIPTION

FIG. 1 is a front perspective view of a fuse showing our new design;

FIG. 2 is a rear perspective view thereof;

FIG. 3 is a front view thereof, the rear view being a mirror image thereof;

FIG. 4 is a right side view thereof;

FIG. 5 is a left side view thereof;

FIG. 6 is a top view thereof;

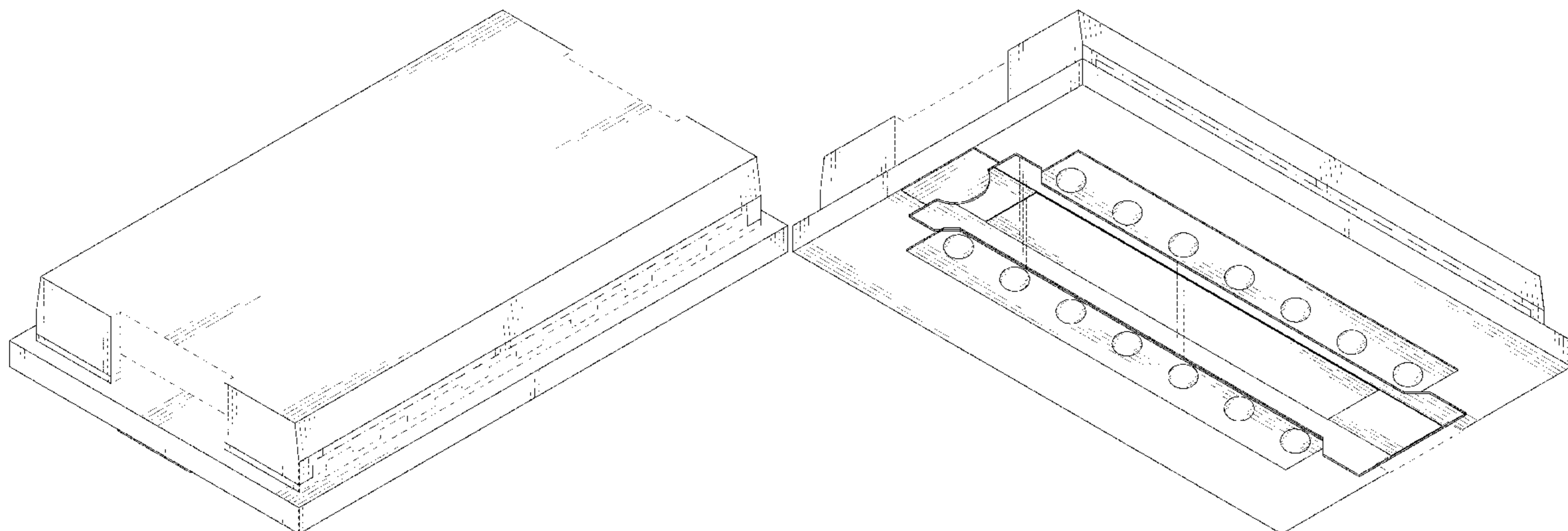
FIG. 7 is a bottom view thereof;

FIG. 8 is a cross-section view taken along line 8-8 in FIG. 3; and,

FIG. 9 is a cross-section view taken along line 9-9 in FIG. 4.

The broken lines in the drawings illustrate features of a fuse that are not being claimed, and form no part of the claimed design. The dash-dot broken lines show the boundary of the claim and form no part of the claimed design.

1 Claim, 8 Drawing Sheets



(56)

References Cited

U.S. PATENT DOCUMENTS

D840,950 S * 2/2019 Gattis D13/160
 D886,733 S * 6/2020 Warren D13/103
 D923,206 S * 6/2021 Zhu D26/1
 11,437,212 B1 * 9/2022 Arciaga H01H 85/0411
 2022/0277916 A1 * 9/2022 Yoneda H01H 85/0411

FOREIGN PATENT DOCUMENTS

JP 2015111526 A * 6/2015
 JP 2016134317 A * 7/2016 H01H 37/76
 JP 2016134317 A 7/2016
 JP 2017022009 A * 1/2017
 JP 2017117774 A * 6/2017 H01H 37/76
 JP 2018166099 A * 10/2018 H01H 85/0052
 JP 2020098755 A 6/2020

OTHER PUBLICATIONS

HA1701886300, Transistor Gijutsu, (CQ Publishing Co.,Ltd.), Feb. 3, 2006, Retrieved from the Known Design Database of the Japan Patent Office using Internet, URL: <https://www.j-platpat.inpit.go.jp/d0200>.

HC0301363600, Nikkan Kogyo Shimbun New Equipment Material Information, (The Nikkan Kogyo Shimbun,Ltd. (The Daily Industrial News)), Dec. 13, 1999, Retrieved from the Known Design Database of the Japan Patent Office using Internet, URL: <https://www.j-platpat.inpit.go.jp/d0200>.

HC1702453300, Elecut Catalog O_Series vol. 1 (Nikkan Kogyo Shimbun Oct. 21, 2004 P7 With Photo), (Shinkoh Electric Co., Ltd.), Sep. 9, 2005, Retrieved from the Known Design Database of the Japan Patent Office using Internet, URL: <https://www.j-platpat.inpit.go.jp/d0200>.

* cited by examiner

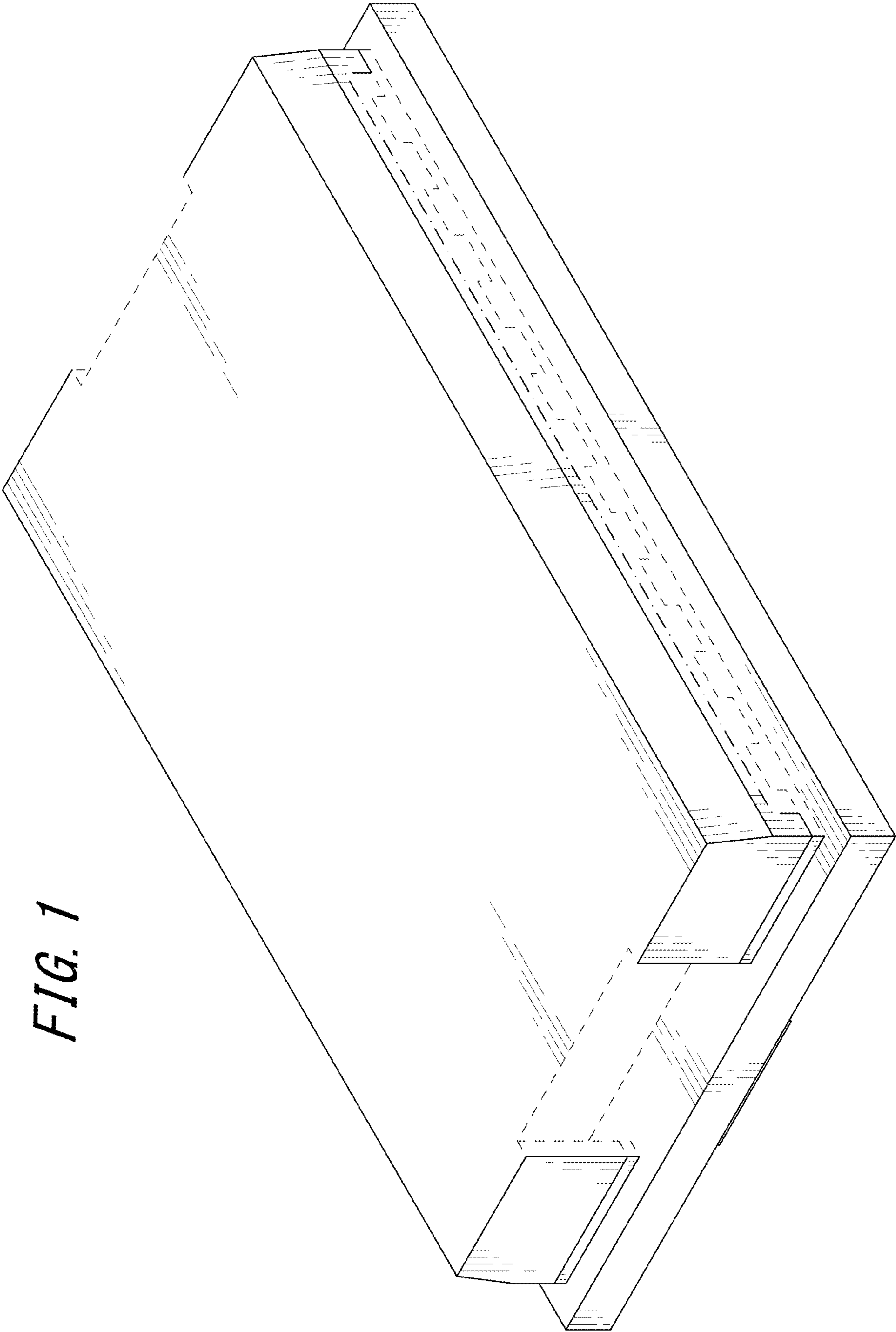


FIG. 1

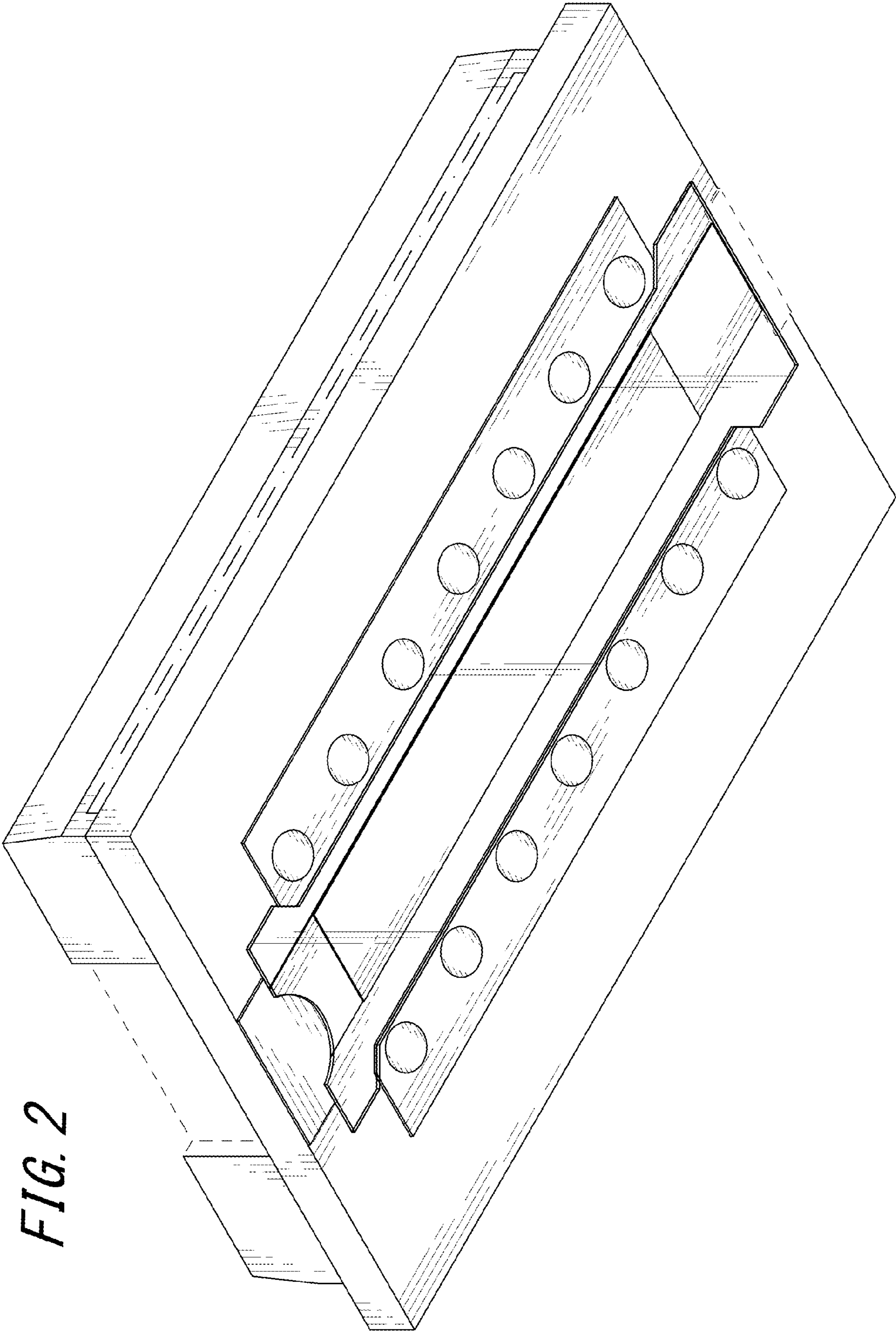


FIG. 2

FIG. 3

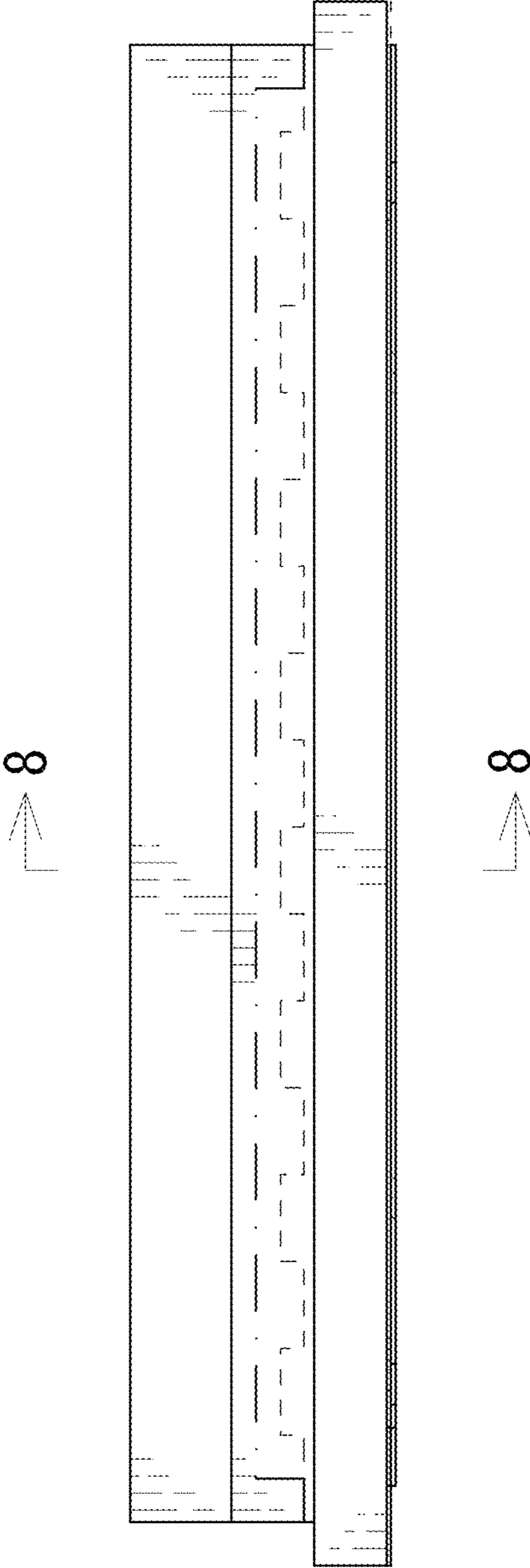
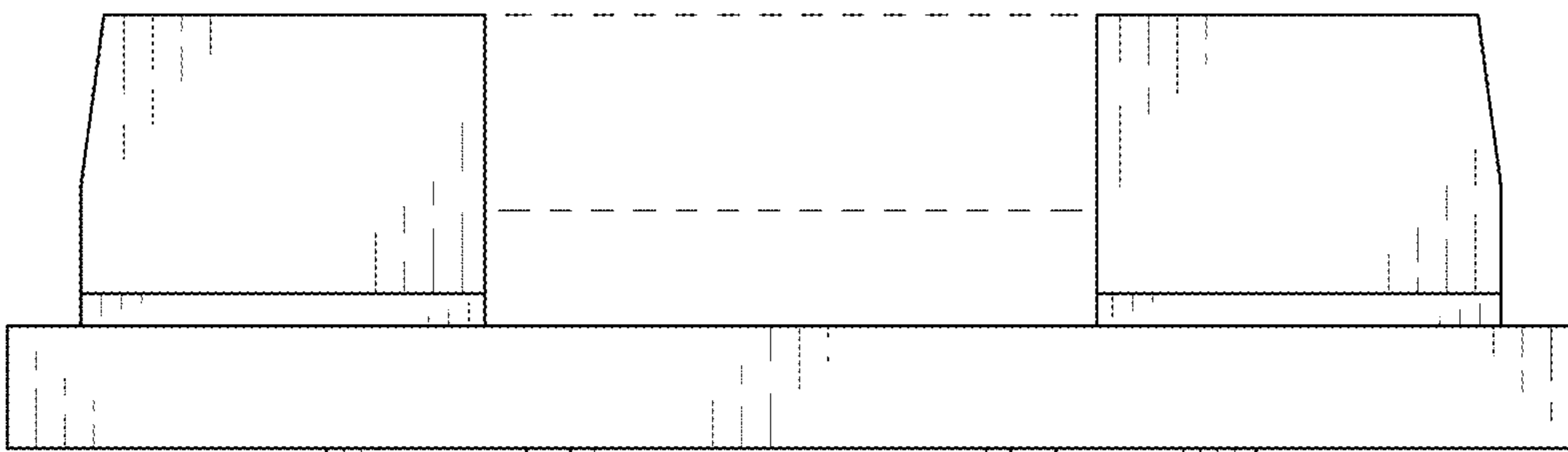


FIG. 4

9



9

FIG. 5

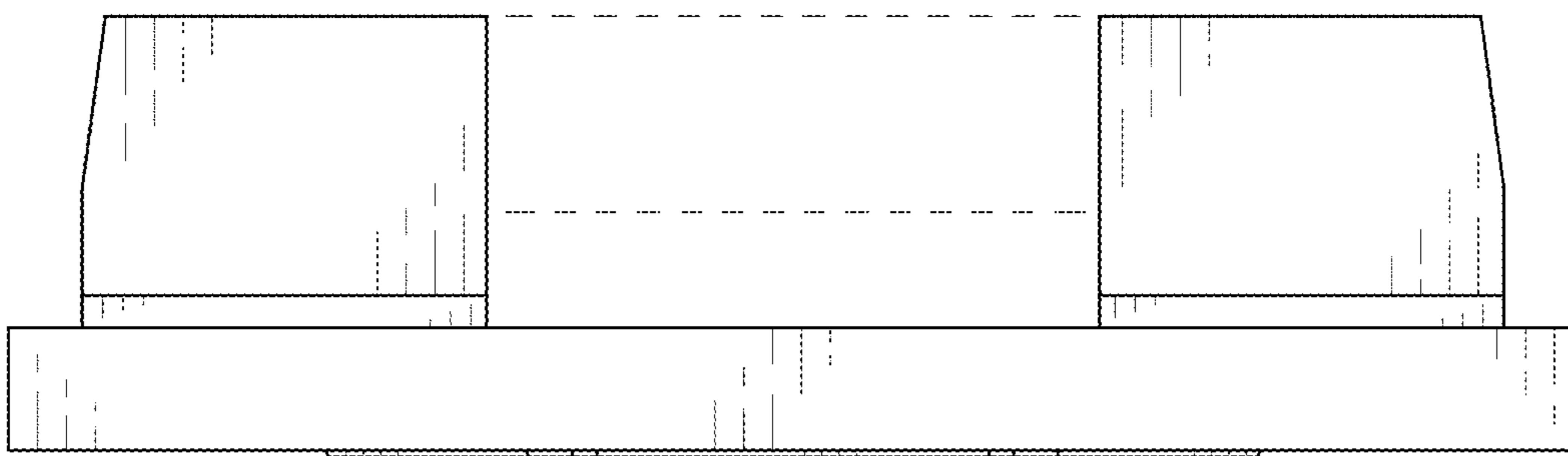


FIG. 6

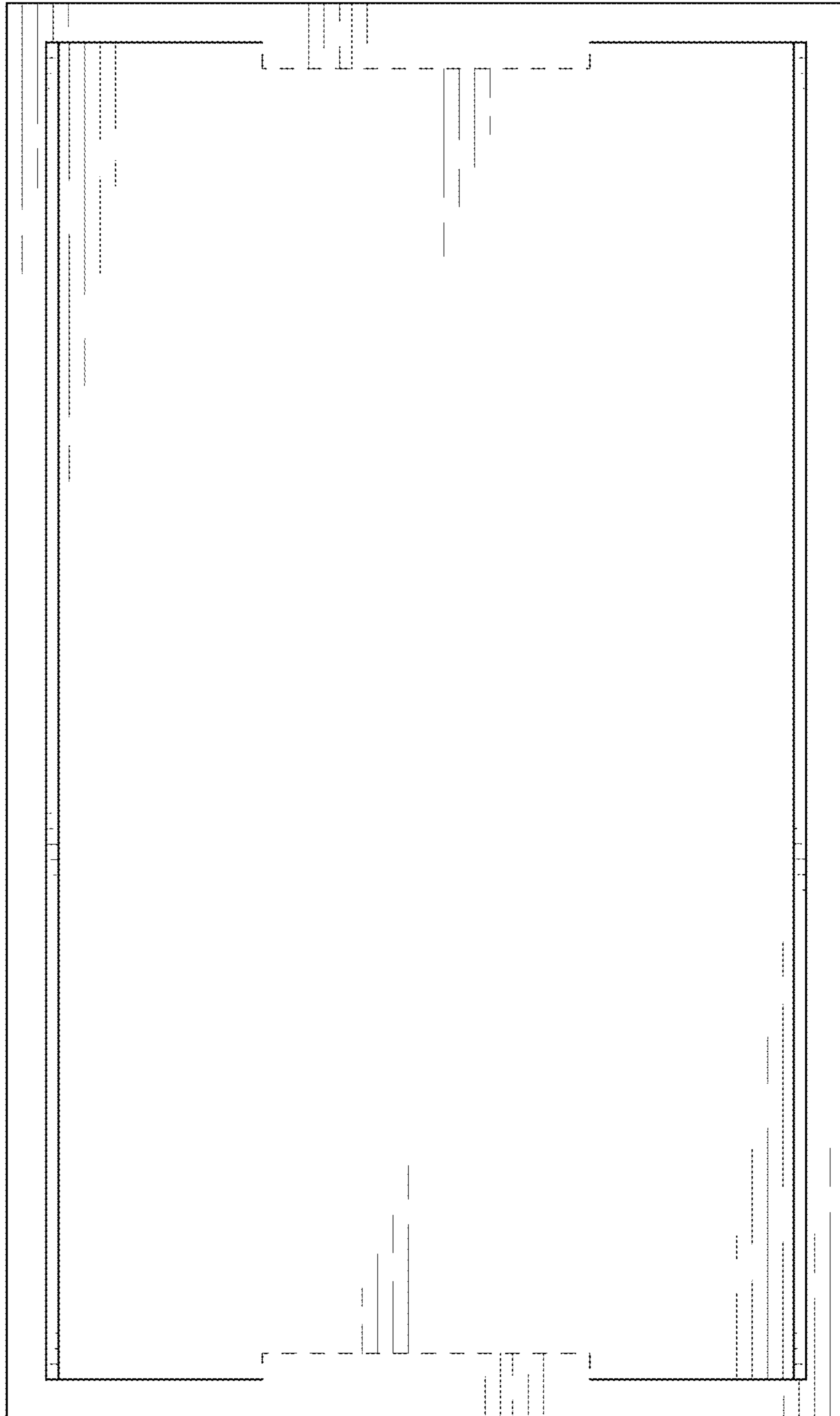


FIG. 7

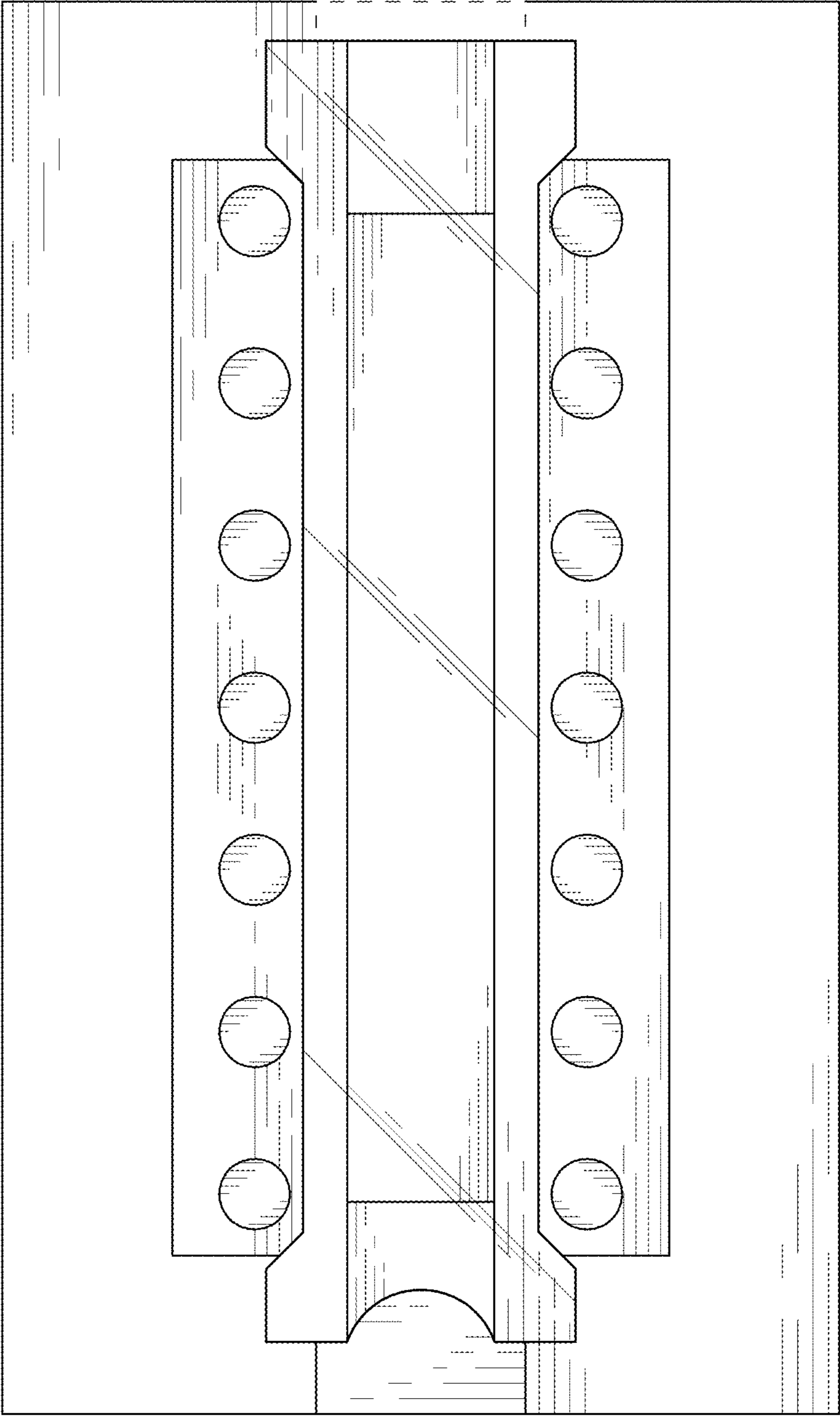


FIG. 8

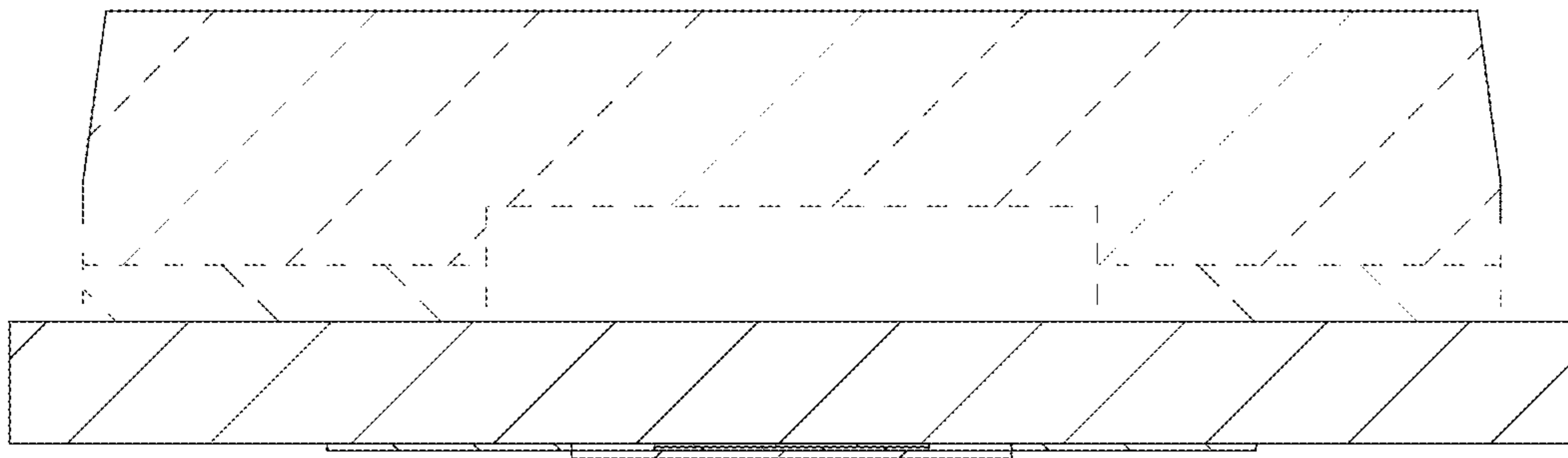


FIG. 9

