



US00D981965S

(12) **United States Design Patent**
Zimmer

(10) **Patent No.:** **US D981,965 S**

(45) **Date of Patent:** **** Mar. 28, 2023**

- (54) **MODULAR SWITCH ASSEMBLY**
- (71) Applicant: **Trent Zimmer**, Broussard, LA (US)
- (72) Inventor: **Trent Zimmer**, Broussard, LA (US)
- (**) Term: **15 Years**
- (21) Appl. No.: **29/813,158**
- (22) Filed: **Oct. 27, 2021**
- (51) **LOC (14) Cl.** **13-03**
- (52) **U.S. Cl.**
USPC **D13/158; D22/108**
- (58) **Field of Classification Search**
USPC D13/133, 158; D16/136; D22/108, 109,
D22/110, 199
CPC F41C 27/00; F41G 1/387; H01H 9/0235;
H01R 27/02
See application file for complete search history.

- 2019/0199046 A1* 6/2019 Yuan H01R 27/02
- 2020/0303885 A1* 9/2020 Liao H05K 5/0278
- 2022/0341697 A1* 10/2022 Cabahug F41G 1/387

OTHER PUBLICATIONS

Rooftop Defense, Online Product Page. Earliest Publication Date: Sep. 27, 2021. Date Accessed: Jan. 4, 2023. Retrieved from Internet URL: <https://www.rooftopdefense.com/product-category/lights-optics/lights/pressure-switches-light-accessories/> (Year: 2021).*

* cited by examiner

Primary Examiner — S. Bryan Reinholdt, Jr.
Assistant Examiner — Kaitlan N. Oliver
(74) *Attorney, Agent, or Firm* — Asgaard Patent Services, LLC; F. Wayne Thompson, Jr.

(57) **CLAIM**

The ornamental design for a modular switch assembly, as shown and described.

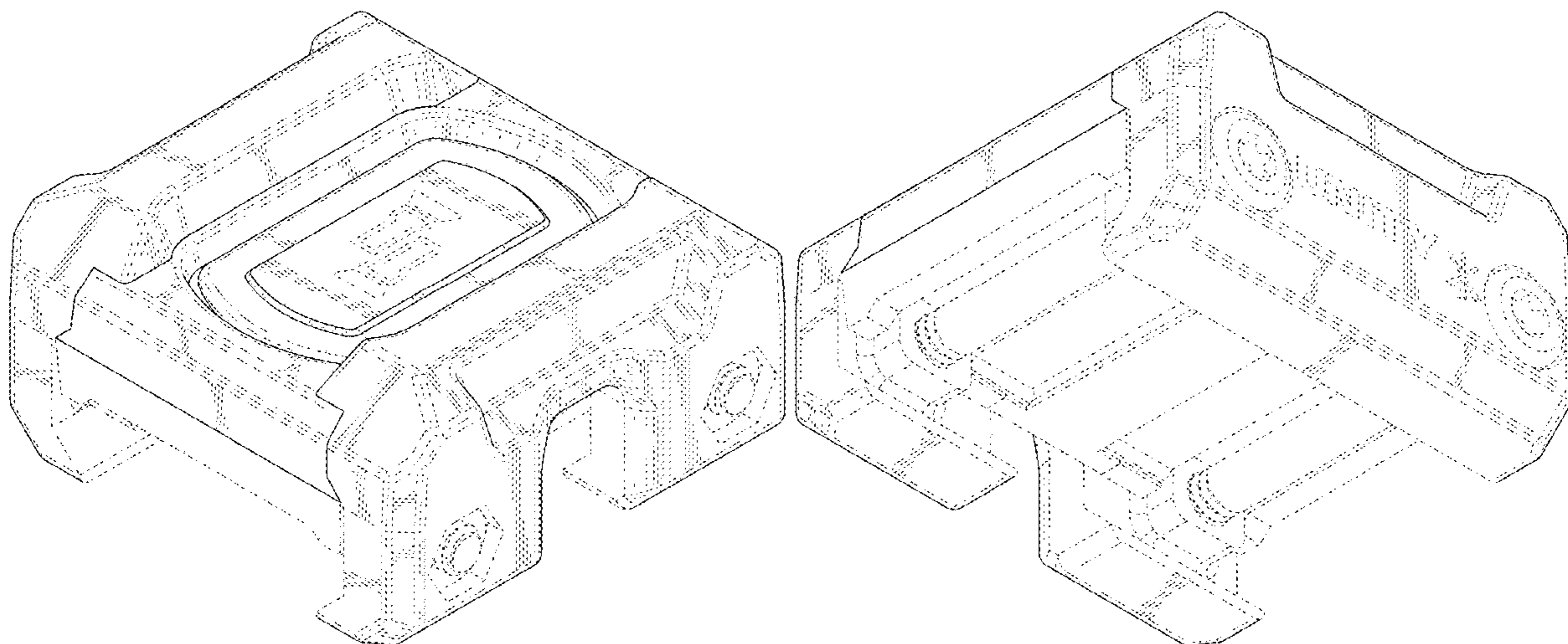
DESCRIPTION

FIG. 1 is a top isometric view of a modular switch assembly; FIG. 2 is a bottom isometric view of the modular switch assembly shown in FIG. 1; FIG. 3 is a front side elevational view of the modular switch assembly shown in FIG. 1; FIG. 4 is a right side elevational view of the modular switch assembly shown in FIG. 1; FIG. 5 is a rear side elevational view of the modular switch assembly shown in FIG. 1; FIG. 6 is a left side elevational view of the modular switch assembly shown in FIG. 1; FIG. 7 is a top plan view of the modular switch assembly shown in FIG. 1; and, FIG. 8 is a bottom plan view of the modular switch assembly shown in FIG. 1. The broken lines represent portions of the modular switch assembly that form no part of the claimed design.

1 Claim, 6 Drawing Sheets

(56) **References Cited**
U.S. PATENT DOCUMENTS

- D559,195 S * 1/2008 Tamaoki D13/158
- D578,065 S * 10/2008 Baker D13/133
- D586,295 S * 2/2009 Zhao D13/133
- D615,039 S * 5/2010 Mancini D13/133
- D714,214 S * 9/2014 Wikel D13/107
- D714,731 S * 10/2014 Lee D13/147
- D733,685 S * 7/2015 Izen D14/217
- 10,514,235 B1 * 12/2019 McCauley H01H 9/02
- D878,306 S * 3/2020 Van Acker D13/158
- D878,307 S * 3/2020 Van Acker D13/158
- 10,641,583 B2 * 5/2020 Zimmer F41G 11/003
- D902,161 S * 11/2020 Zimmer D22/108
- 11,037,437 B2 * 6/2021 He G05G 1/06
- D931,233 S * 9/2021 Pan D22/108
- D947,310 S * 3/2022 Zimmer D22/108
- D964,935 S * 9/2022 deBock D13/133
- 2013/0265698 A1 * 10/2013 Baum H05K 5/0213
361/679.01
- 2016/0211095 A1 * 7/2016 Zimmer H01H 9/0235



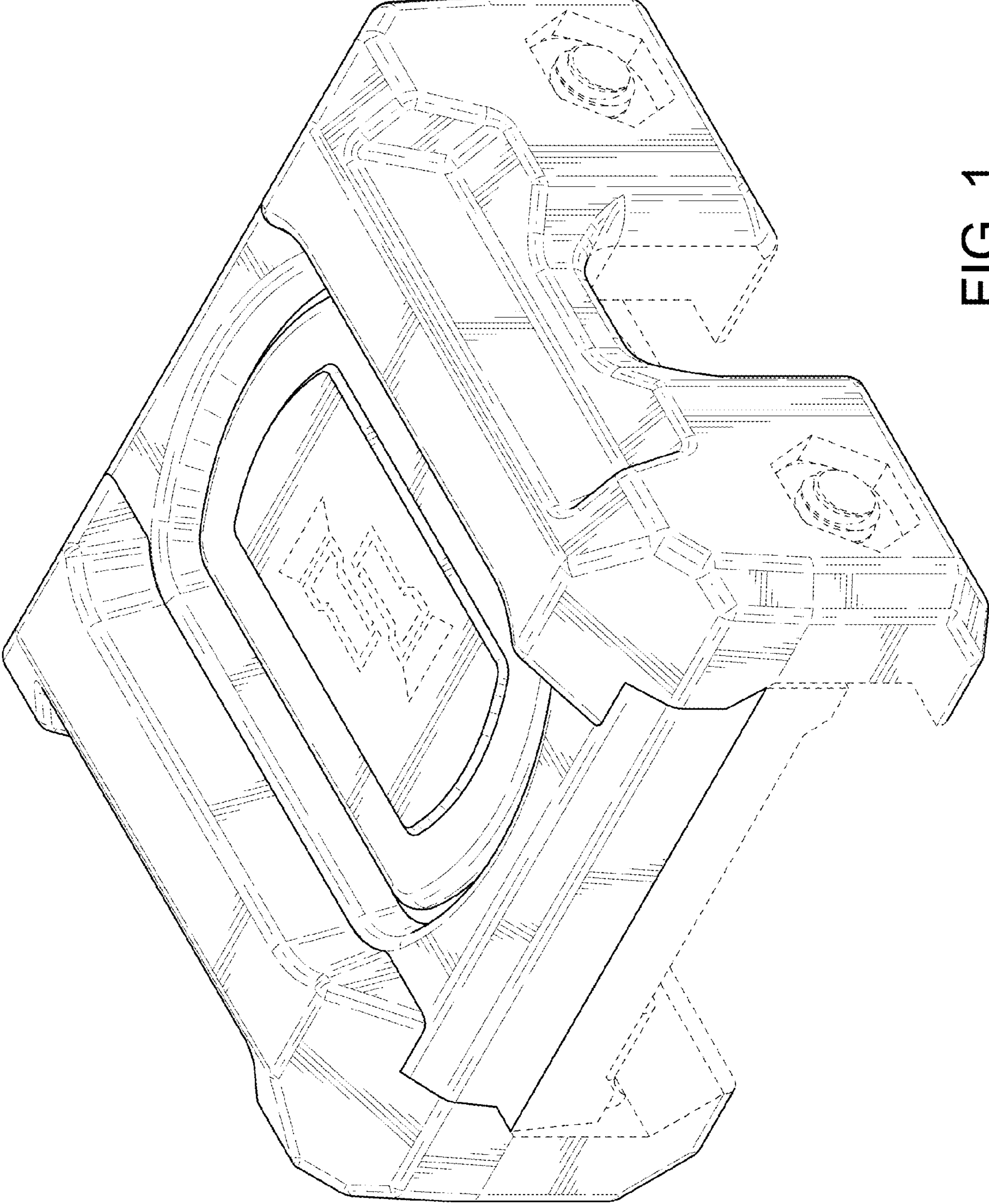


FIG. 1

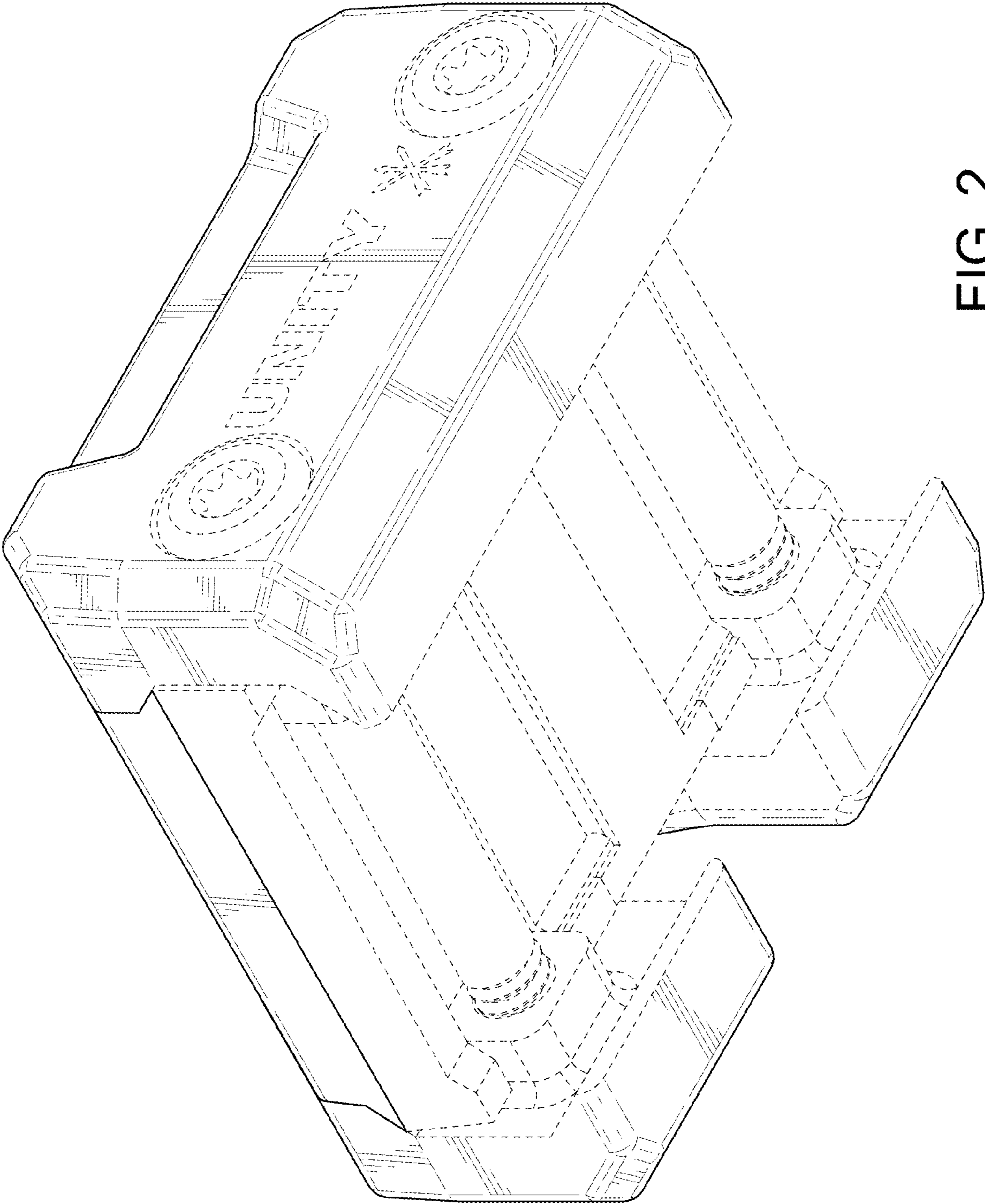


FIG. 2

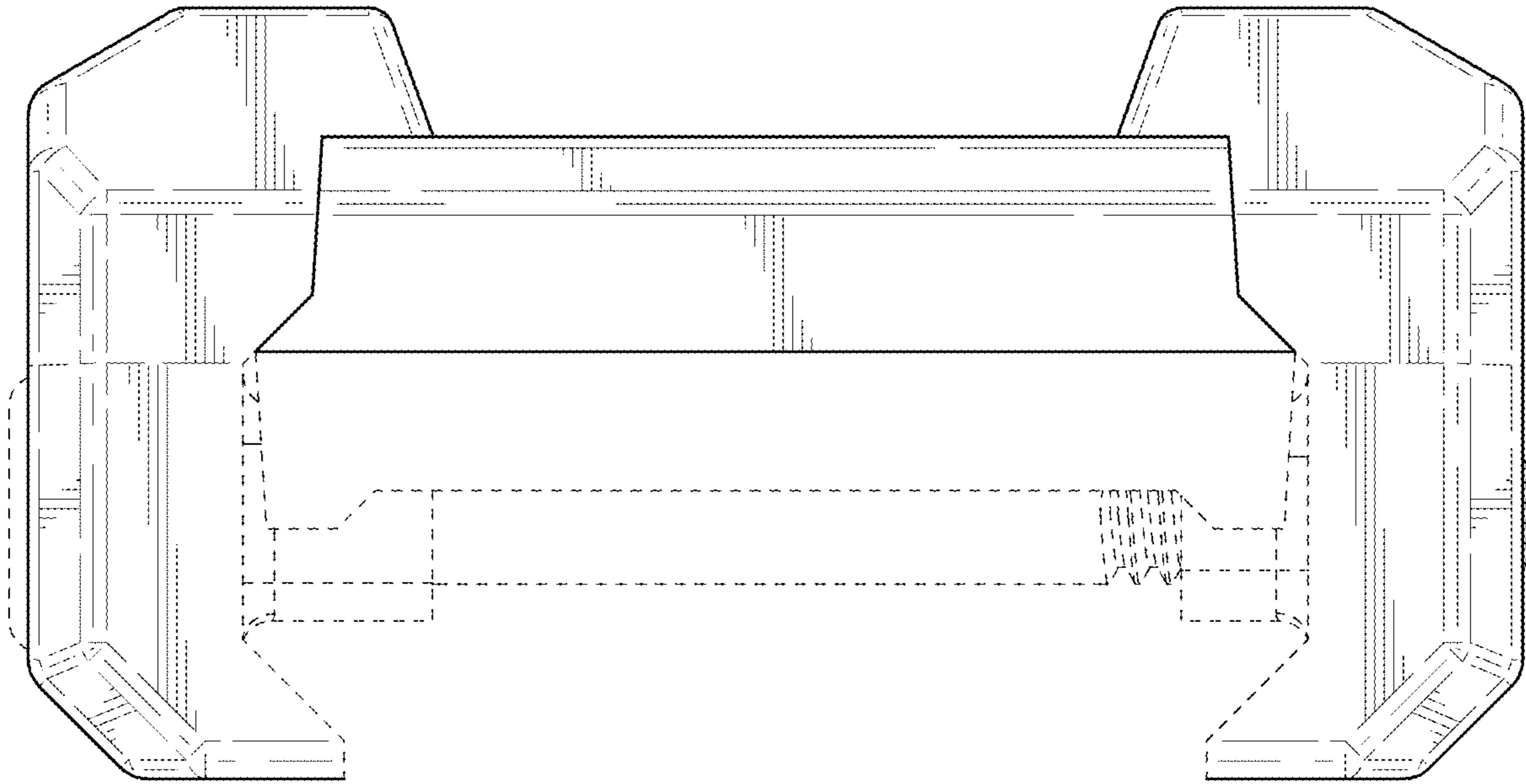


FIG. 3

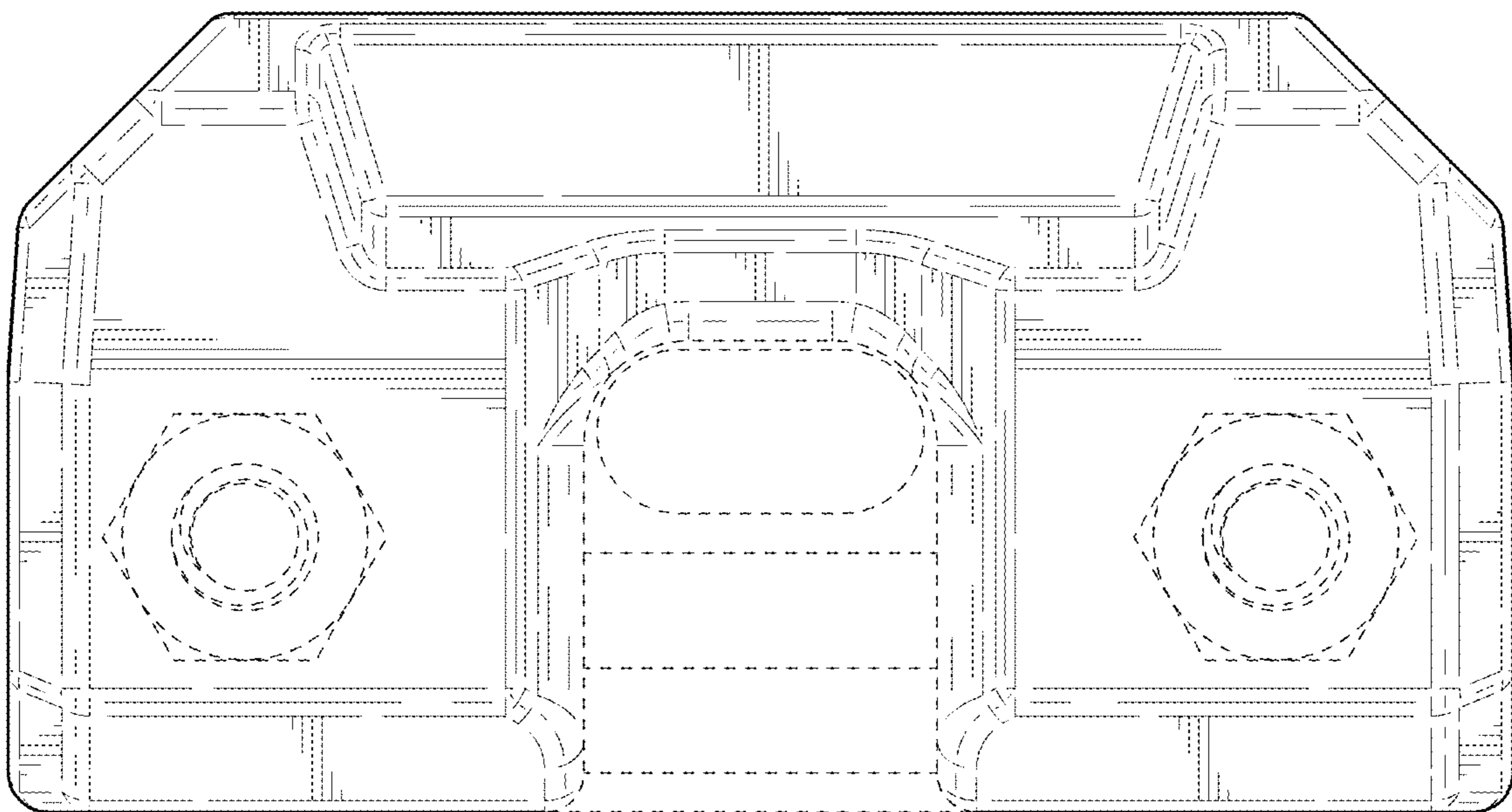


FIG. 4

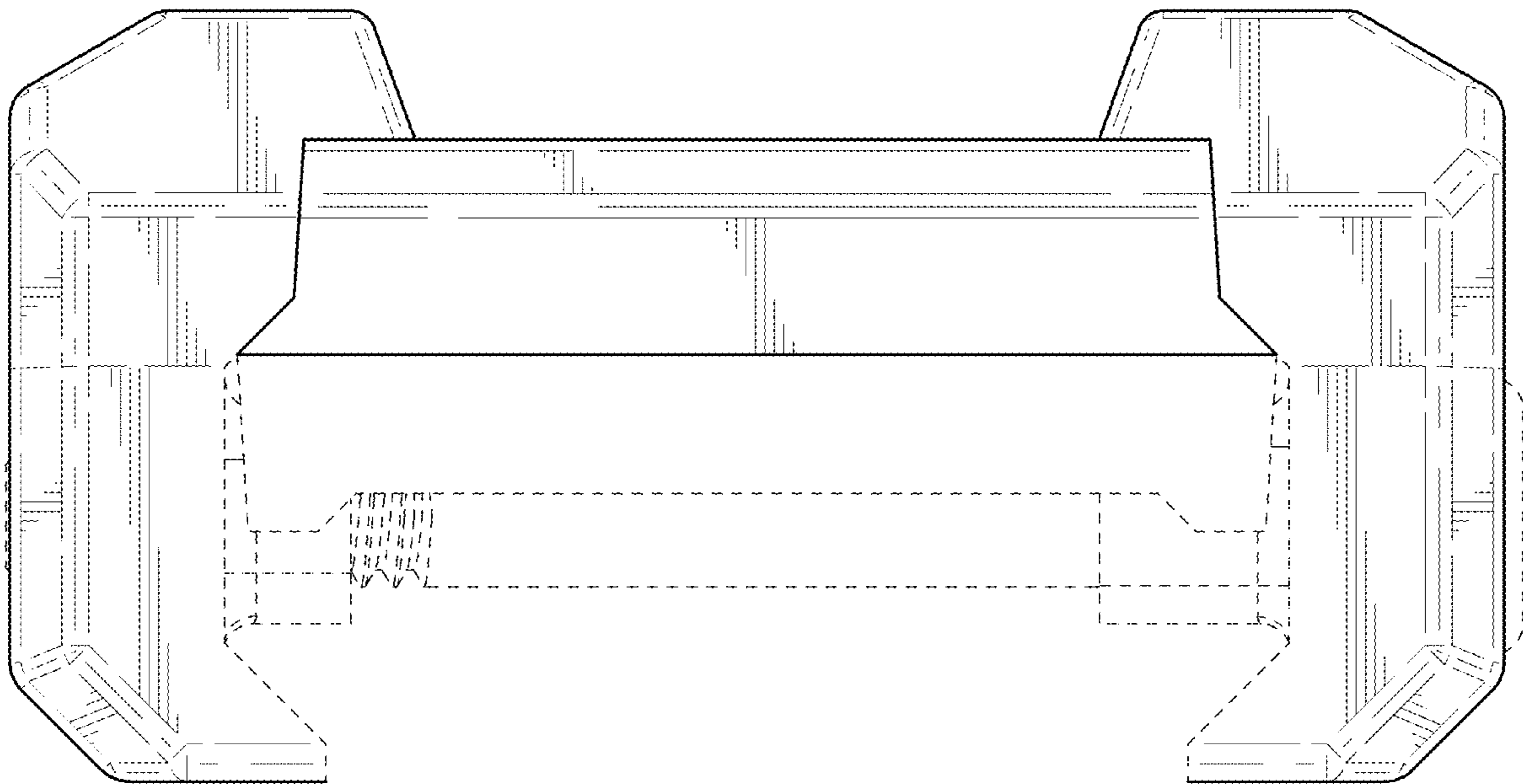


FIG. 5

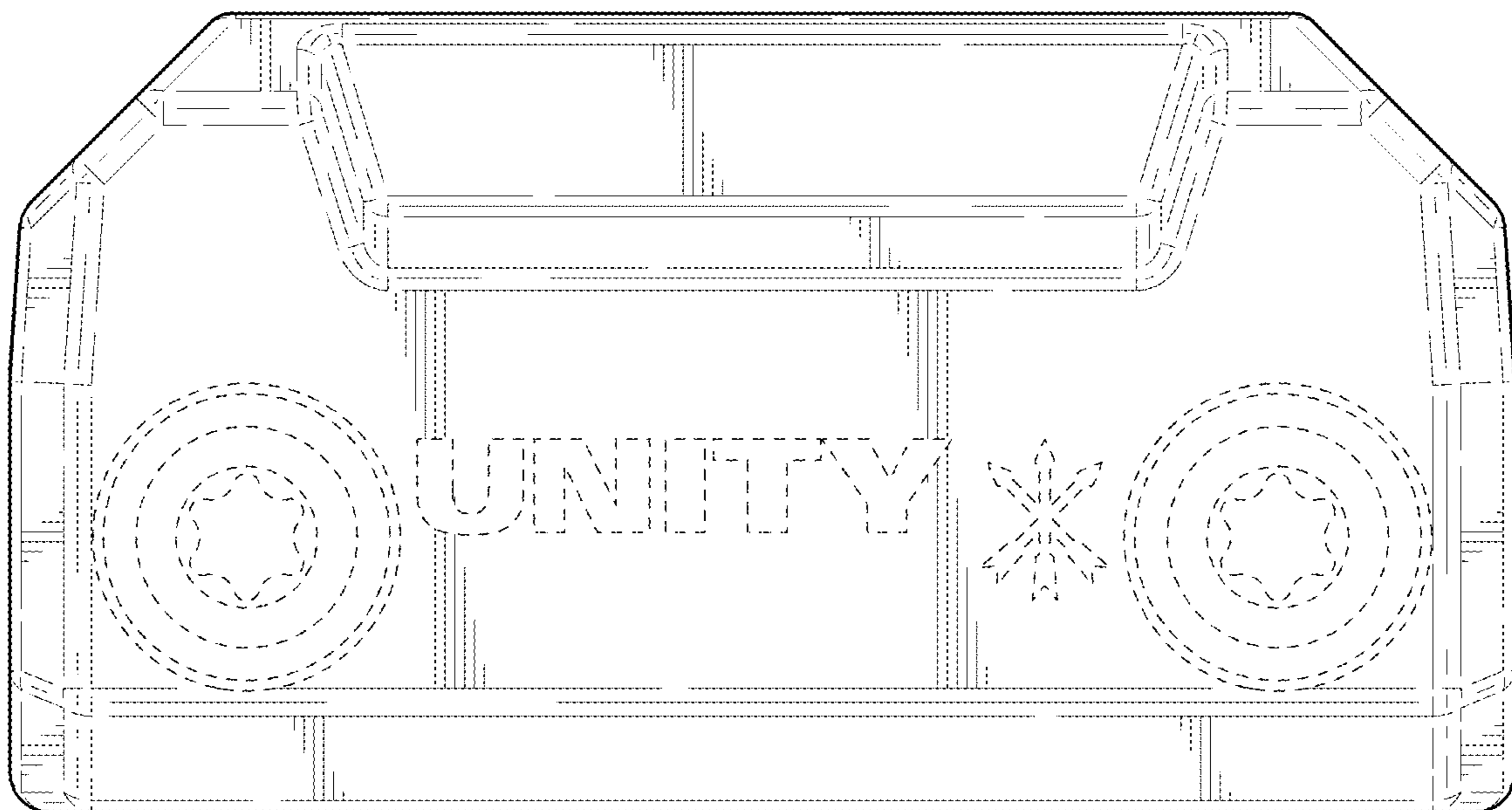


FIG. 6

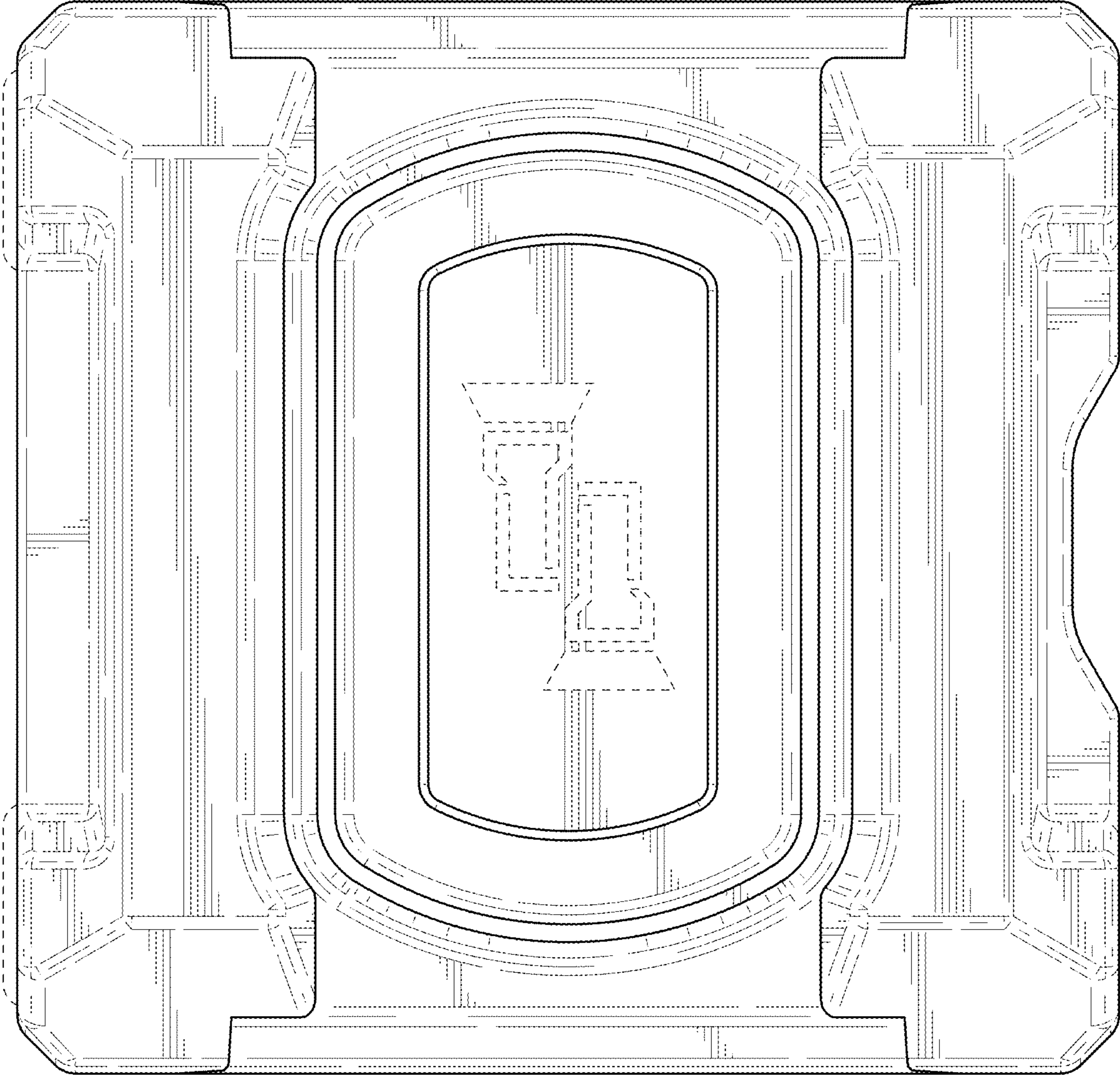


FIG. 7

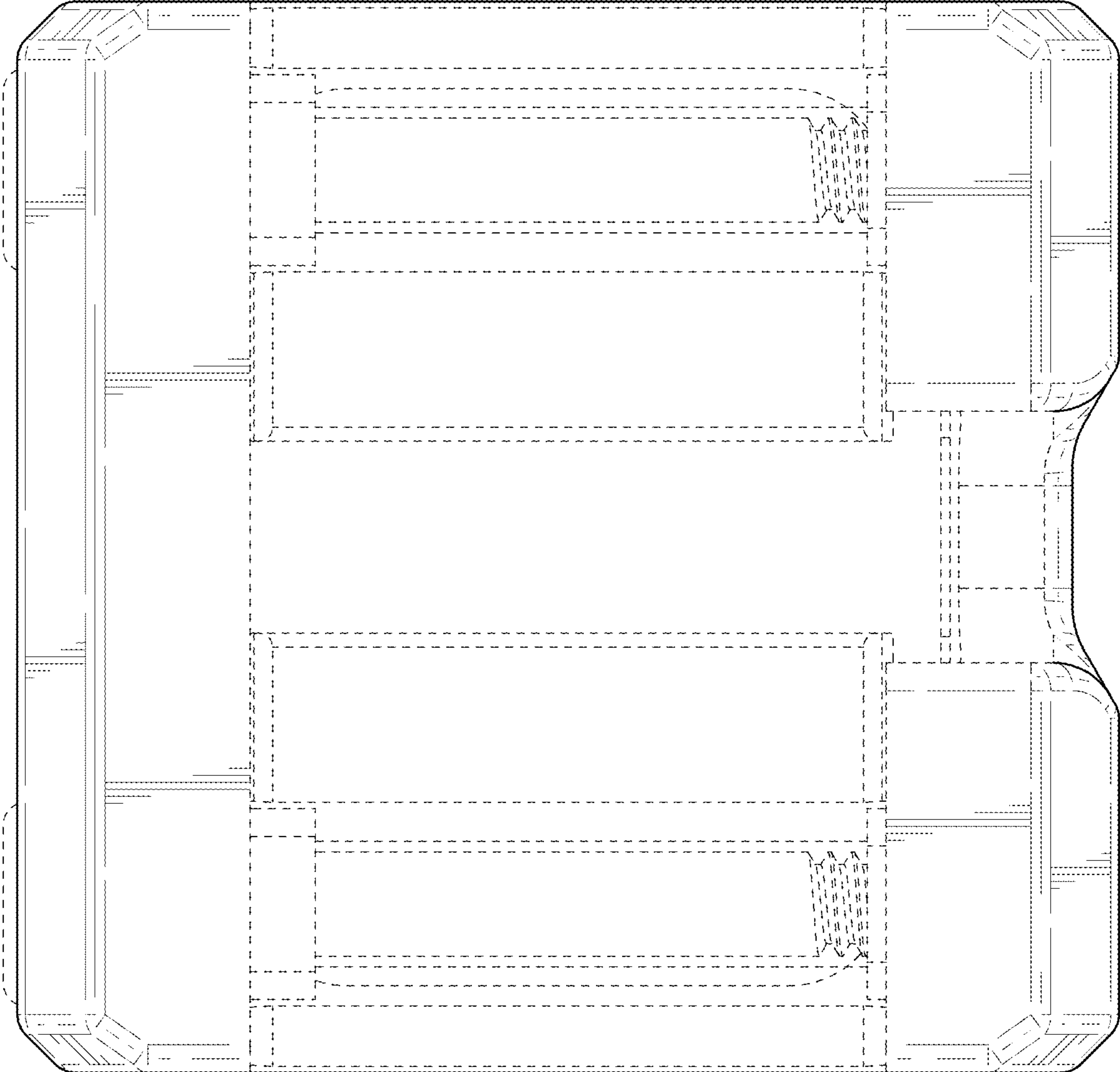


FIG. 8