



US00D981964S

(12) **United States Design Patent**
Su

(10) **Patent No.:** **US D981,964 S**
(45) **Date of Patent:** **** Mar. 28, 2023**

(54) **POWER INLET BOX**

- (71) Applicant: **Peng Su**, Zhejiang (CN)
- (72) Inventor: **Peng Su**, Zhejiang (CN)
- (73) Assignee: **Hangzhou SWEET I&E Co. Ltd.**,
Zhejiang (CN)

(**) Term: **15 Years**

(21) Appl. No.: **29/760,334**

(22) Filed: **Dec. 1, 2020**

(51) **LOC (14) Cl.** **13-03**

(52) **U.S. Cl.**
USPC **D13/156**

(58) **Field of Classification Search**

USPC D13/103, 110, 112, 122, 152, 156, 158,
D13/184, 199

CPC H05K 5/00; H05K 5/02; H05K 5/0247;
H05K 7/00; H05K 7/20; H05K 7/20136;
H05K 7/20154

See application file for complete search history.

(56) **References Cited**

U.S. PATENT DOCUMENTS

D360,877 S *	8/1995	Ropponen	D13/184
5,907,127 A *	5/1999	Daoud	H02G 3/14
				D13/152
D428,603 S *	7/2000	Sonntag	D13/184
D437,586 S *	2/2001	Sonntag	D13/184
D556,143 S *	11/2007	Ni	D13/152
D640,982 S *	7/2011	Dixon	D13/152
D702,198 S *	4/2014	Gretz	D13/184
D865,694 S *	11/2019	Xiang	D13/184
D935,466 S *	11/2021	Hermann	D14/432
D946,521 S *	3/2022	Miron	D13/110
2010/0200263 A1 *	8/2010	Tseng	H02G 3/081
				174/53

FOREIGN PATENT DOCUMENTS

CA	100407	*	12/2003
CN	301976522	*	7/2012
CN	304431768	*	12/2017
CN	305933241	*	7/2020
IN	270891-0001	*	4/2016
PH	3-2018-659-0001	*	8/2018

OTHER PUBLICATIONS

“SnowyFox 30 Amp RV Power Outlet Box, Outdoor Electrical 125 Volt Nema TT-30R Receptacle Enclosed Lockable Weatherproof Electric Car Generator for RV Camper Trailer Motorhome”, first available Jun. 15, 2020. Amazon.com [https://www.amazon.com/dp/B08B67B3GX] (Year: 2020).*

(Continued)

Primary Examiner — Rosemary K Tarcza
Assistant Examiner — Seth David Kumpf

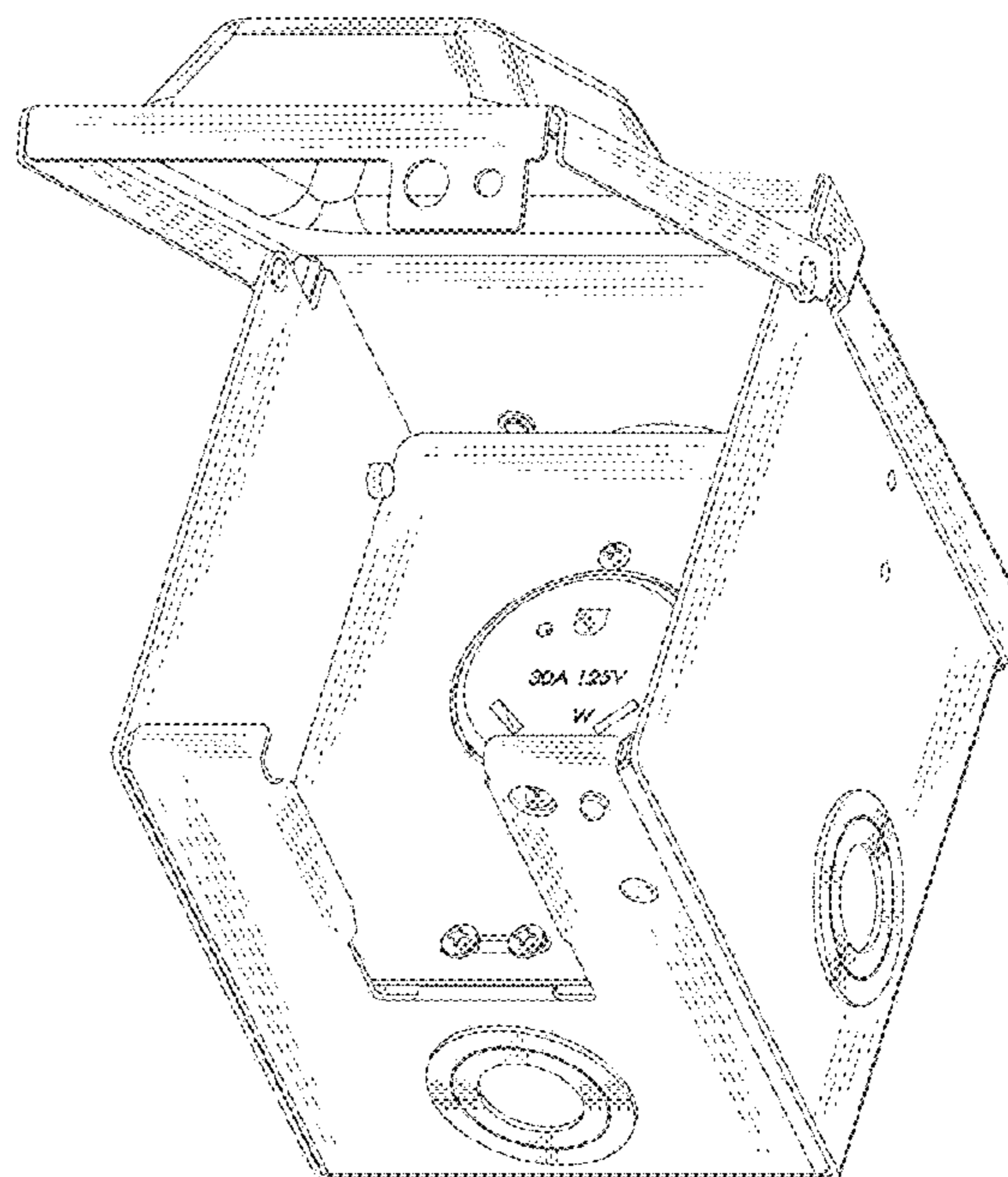
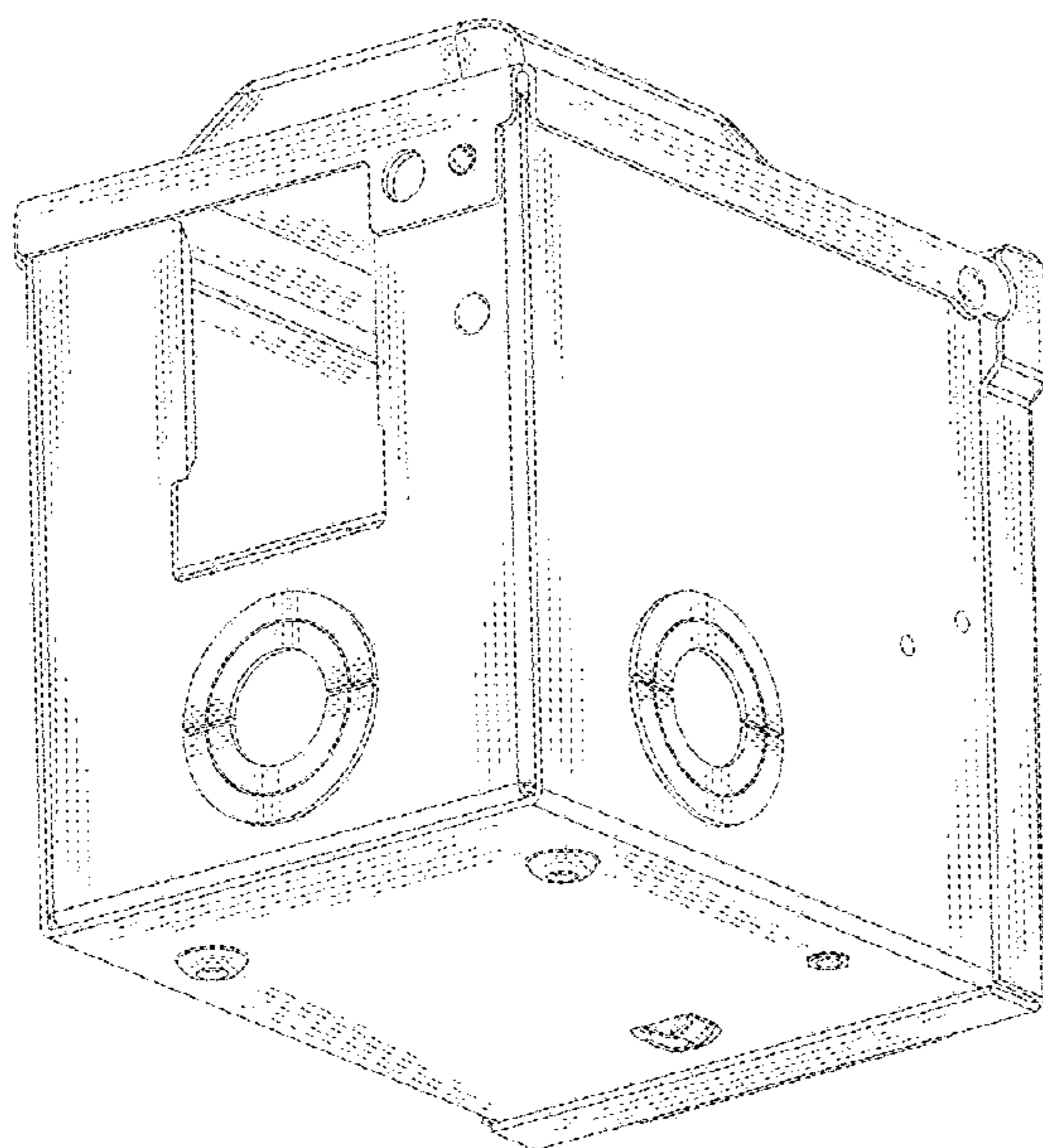
(57) **CLAIM**

The ornamental design for a power inlet box, as shown and described.

DESCRIPTION

FIG. 1 is a perspective view of a power inlet box shown in a closed state, showing my new design; FIG. 2 is a front elevation view thereof; FIG. 3 is a rear elevation view thereof; FIG. 4 is a left side elevation view thereof; FIG. 5 is a right side elevation view thereof; FIG. 6 is a top plan view thereof; FIG. 7 is a bottom plan view thereof; and, FIG. 8 is a perspective view thereof, shown in an open state.

1 Claim, 8 Drawing Sheets



(56)

References Cited

OTHER PUBLICATIONS

“Miady 50 Amp 125/250 Volt RV Power Outlet Box, Enclosed Lockable Weatherproof Outdoor Electrical Nema 14-50R Receptacle Panel, For RV Camper Travel Trailer Motorhome Electric Car Generator.”, first available Nov. 3, 2019. Amazon.com [<https://www.amazon.com/dp/B07ZYG1QLX>] (Year: 2019).*

“Gerguirry 30 Amp RV Power Outlet Box, 125/250 Volt Enclosed Lockable Nema TT-30R RV Outdoor Electrical Receptacle Panel for RV Camper Travel Trailer Motorhome Electric Car Generator, RV Accessories”, first available Nov. 19, 2020. Amazon.com [<https://www.amazon.com/dp/B08NV7TXSN>] (Year: 2020).*

“RVINGPRO 30 Amp 125 Volt RV Power Outlet Box, Enclosed Lockable Weatherproof Outdoor Electrical Nema TT-30R Receptacle Panel, ETL Listed, Black”, first available Jul. 22, 2021. Amazon.com [<https://www.amazon.com/dp/B09B1PQPYT>] (Year: 2021).*

* cited by examiner

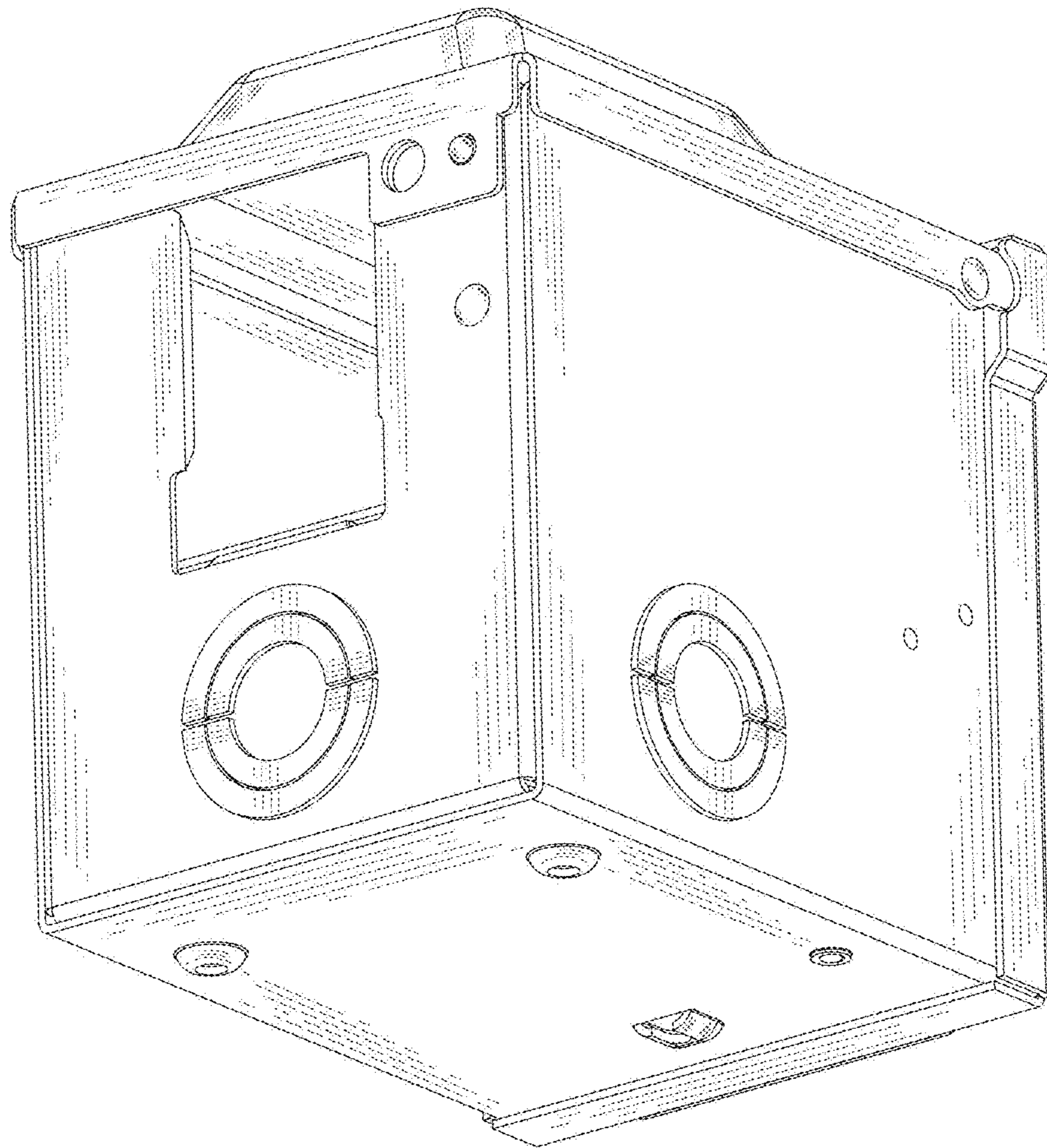


FIG.1

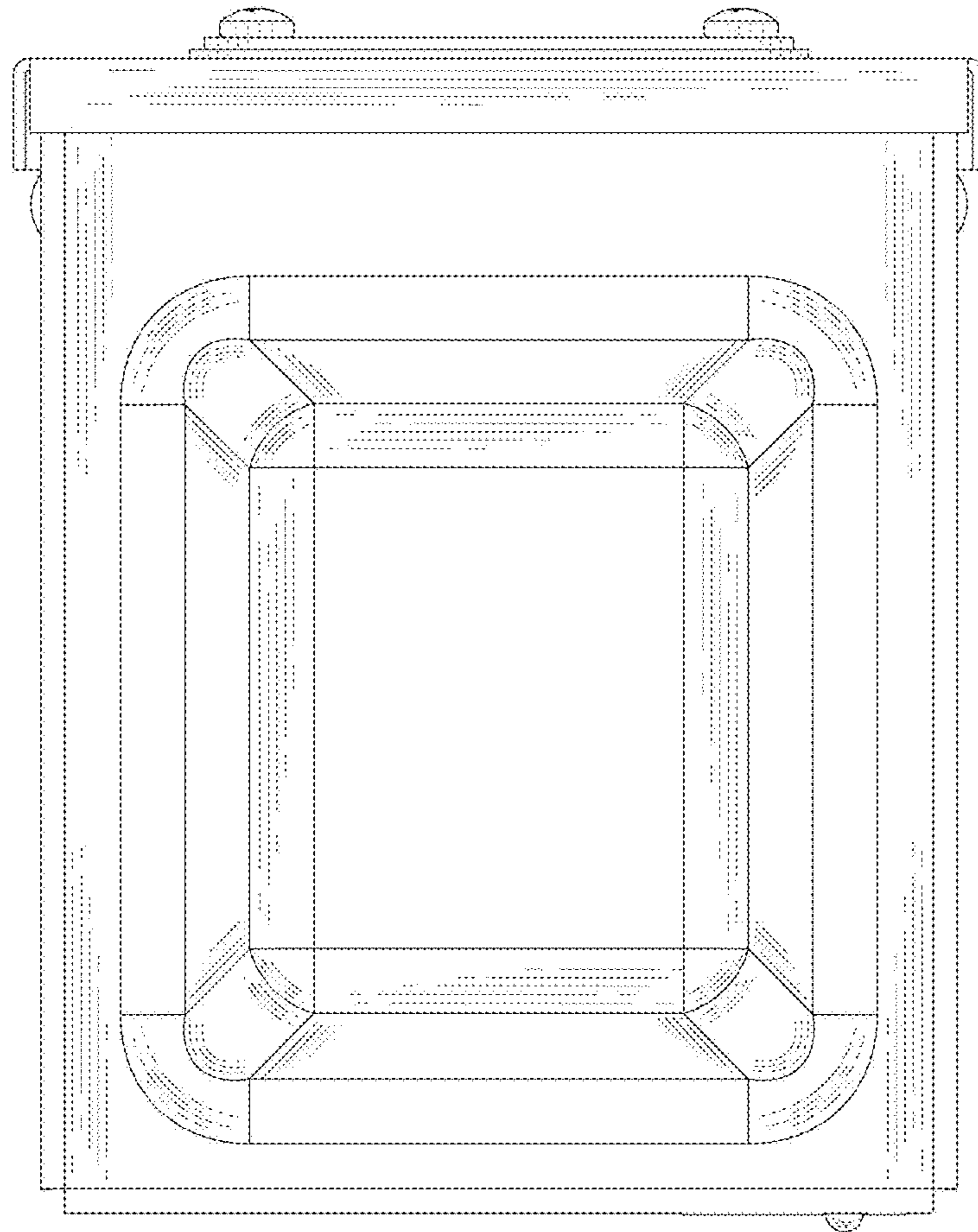


FIG.2

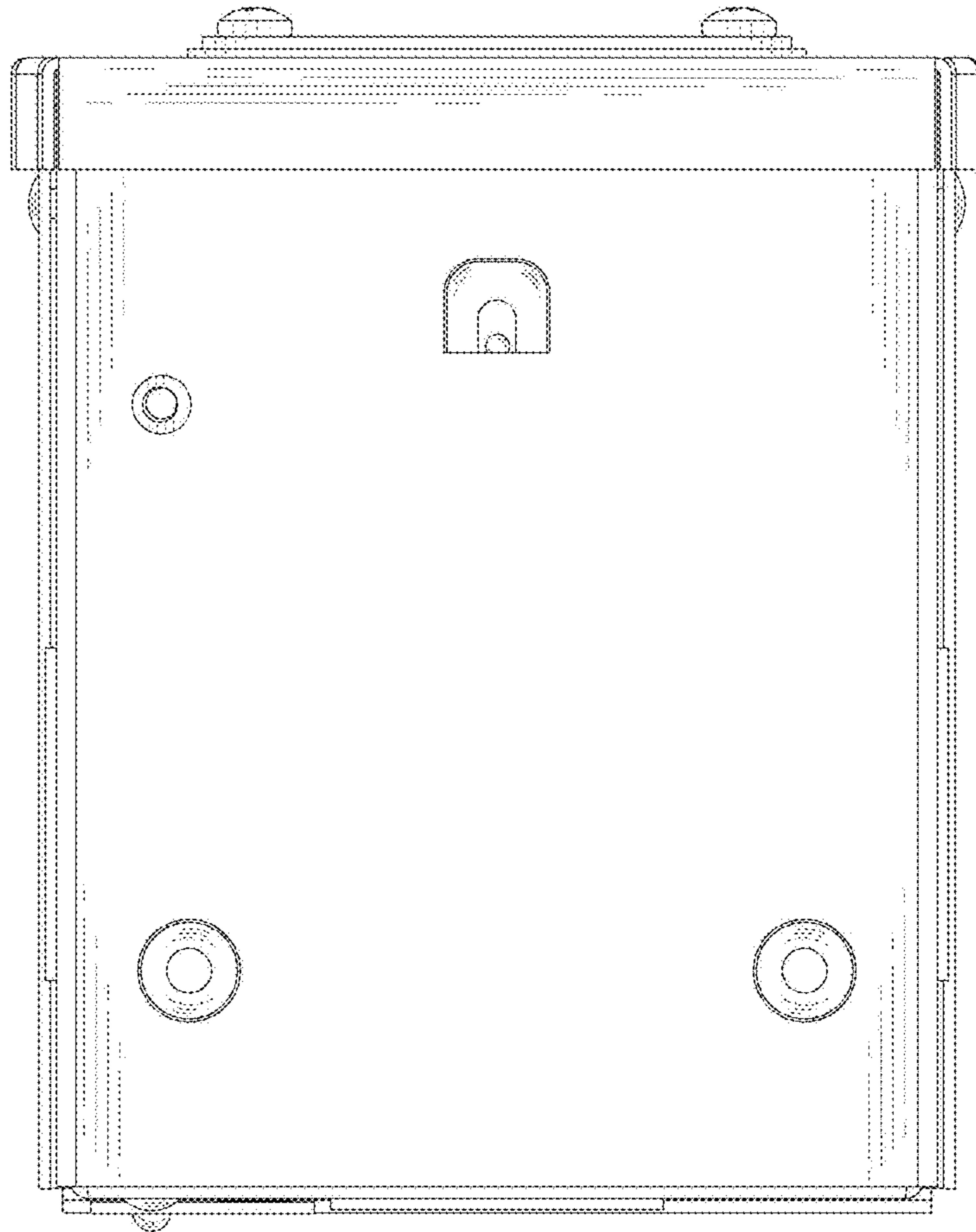


FIG.3

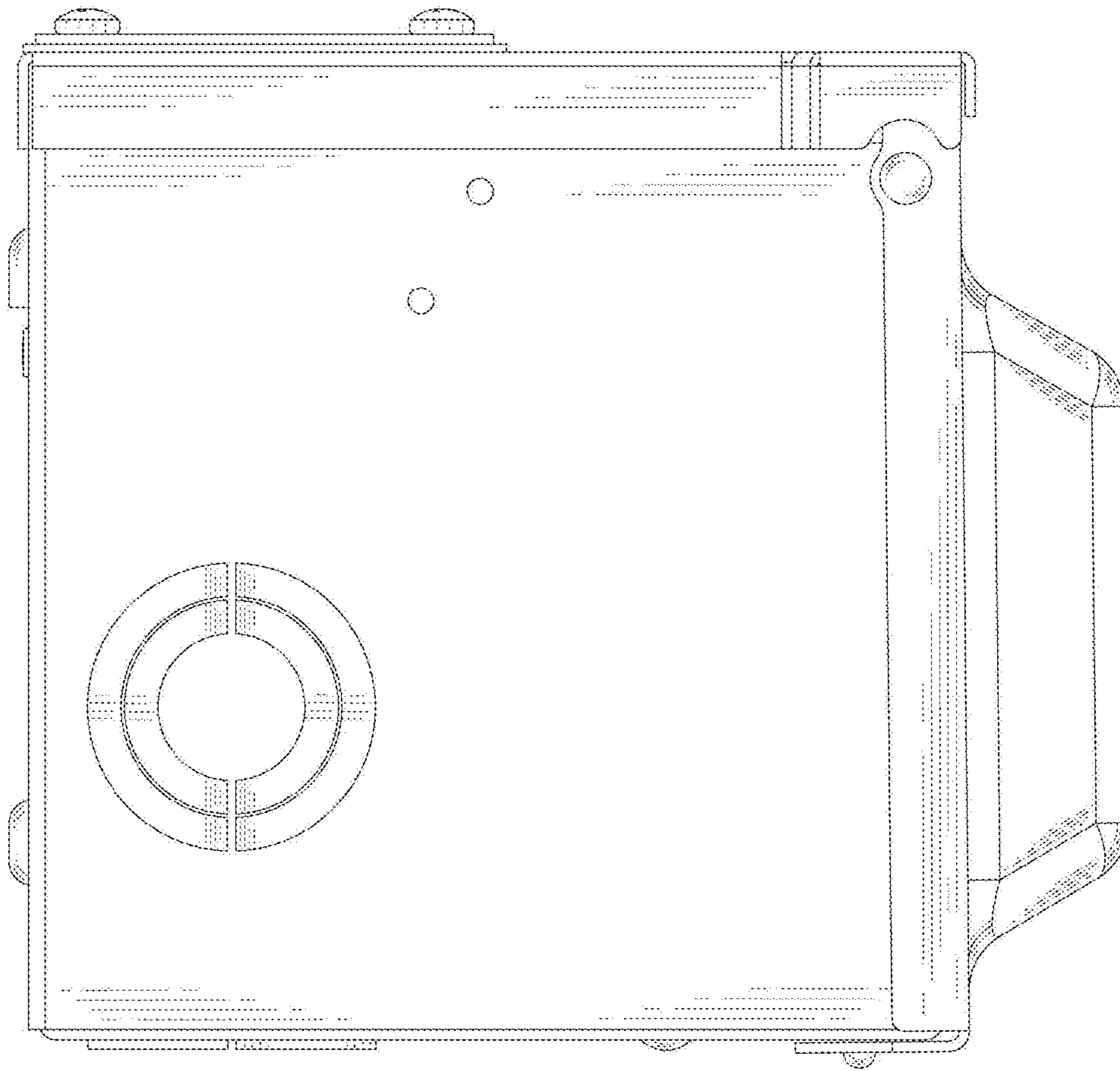


FIG.4

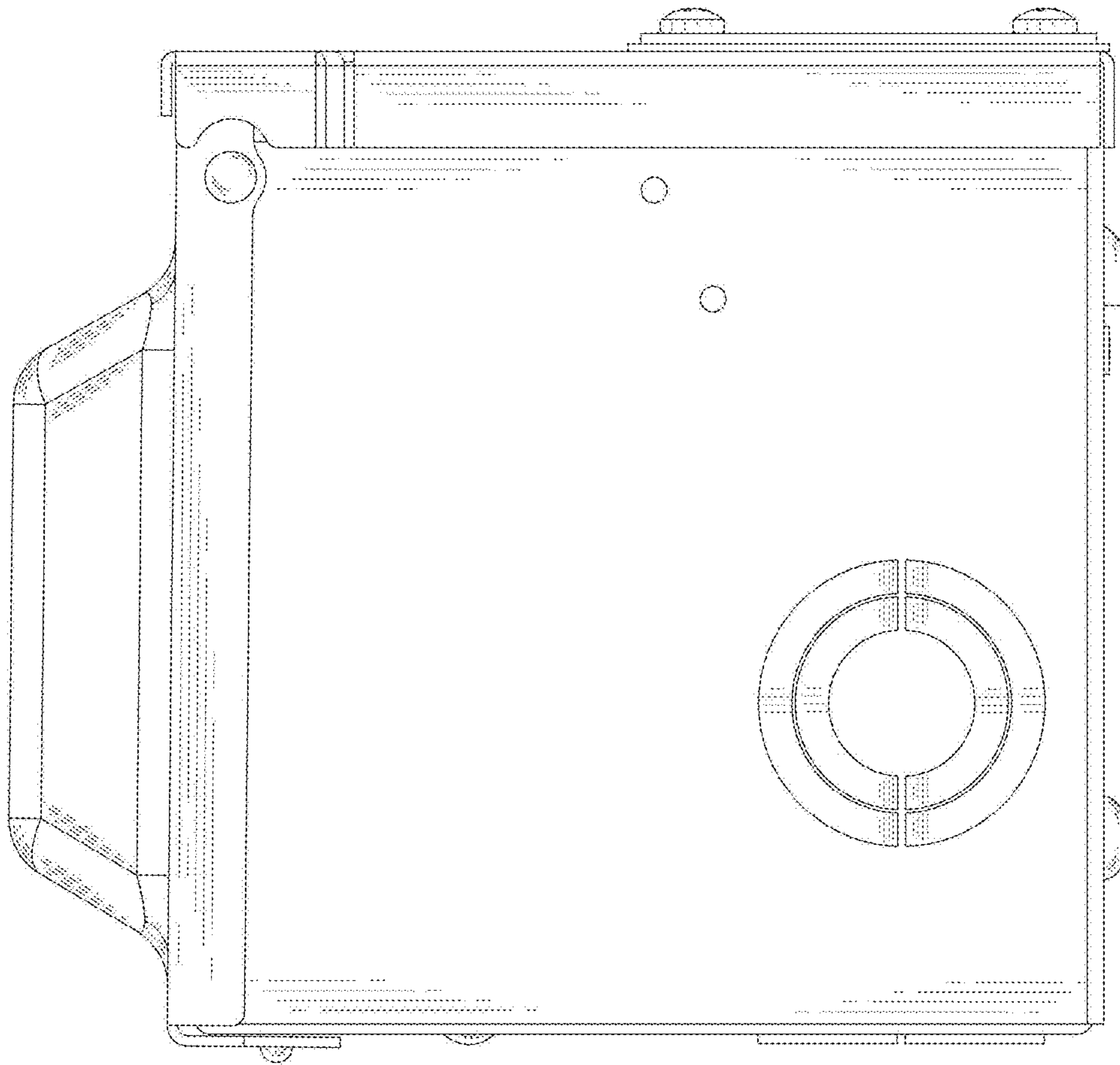


FIG.5

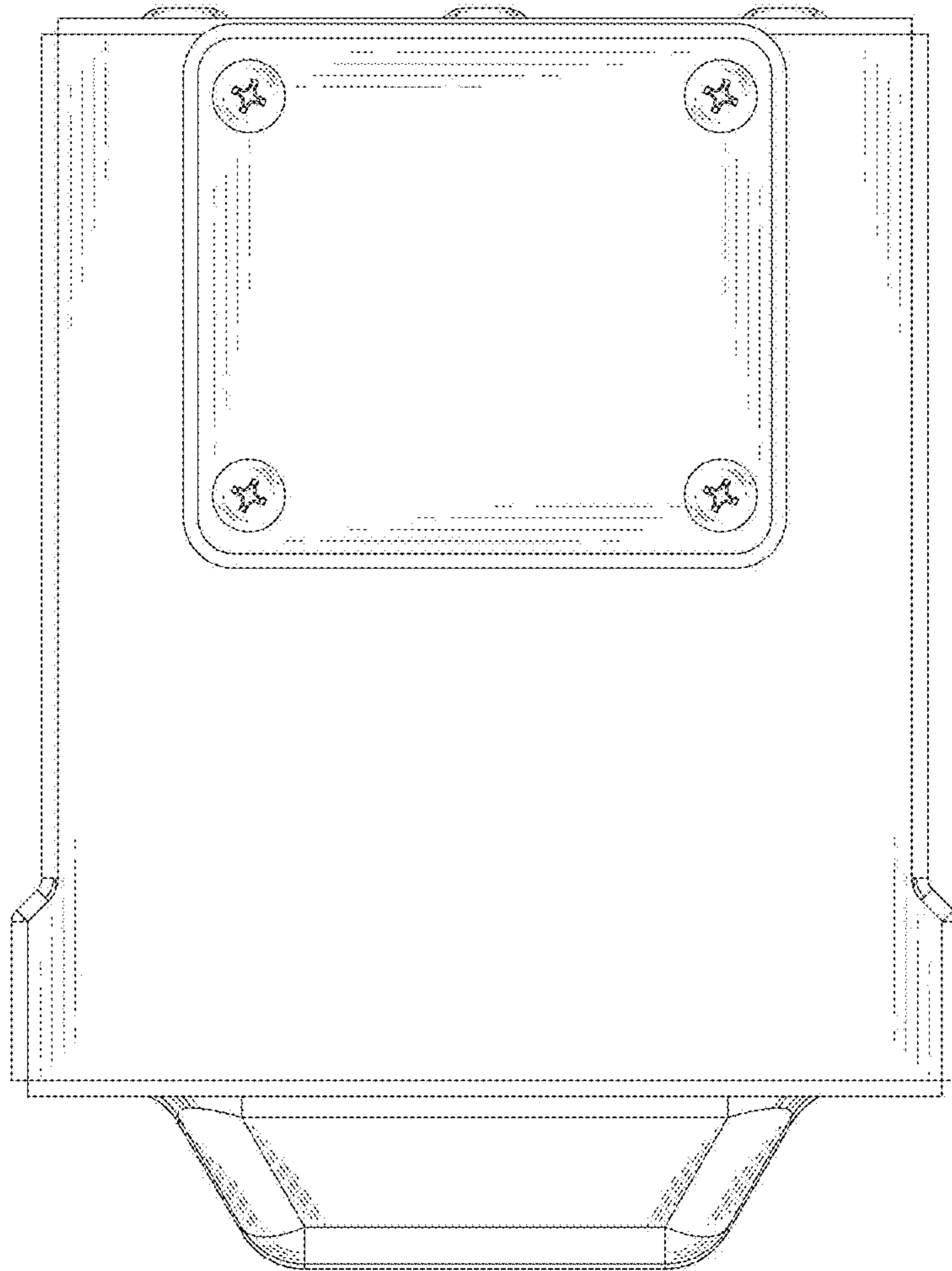


FIG.6

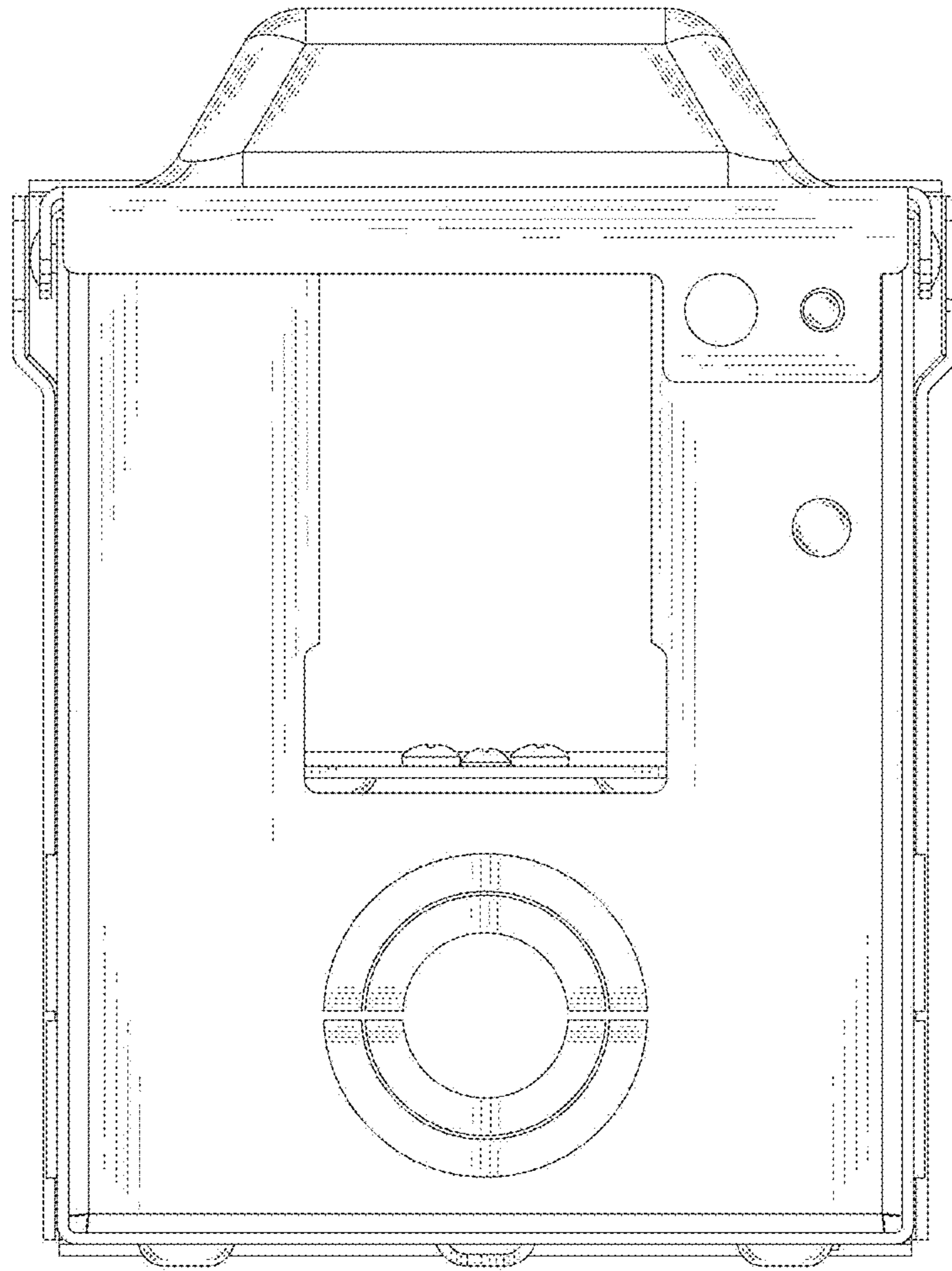


FIG. 7

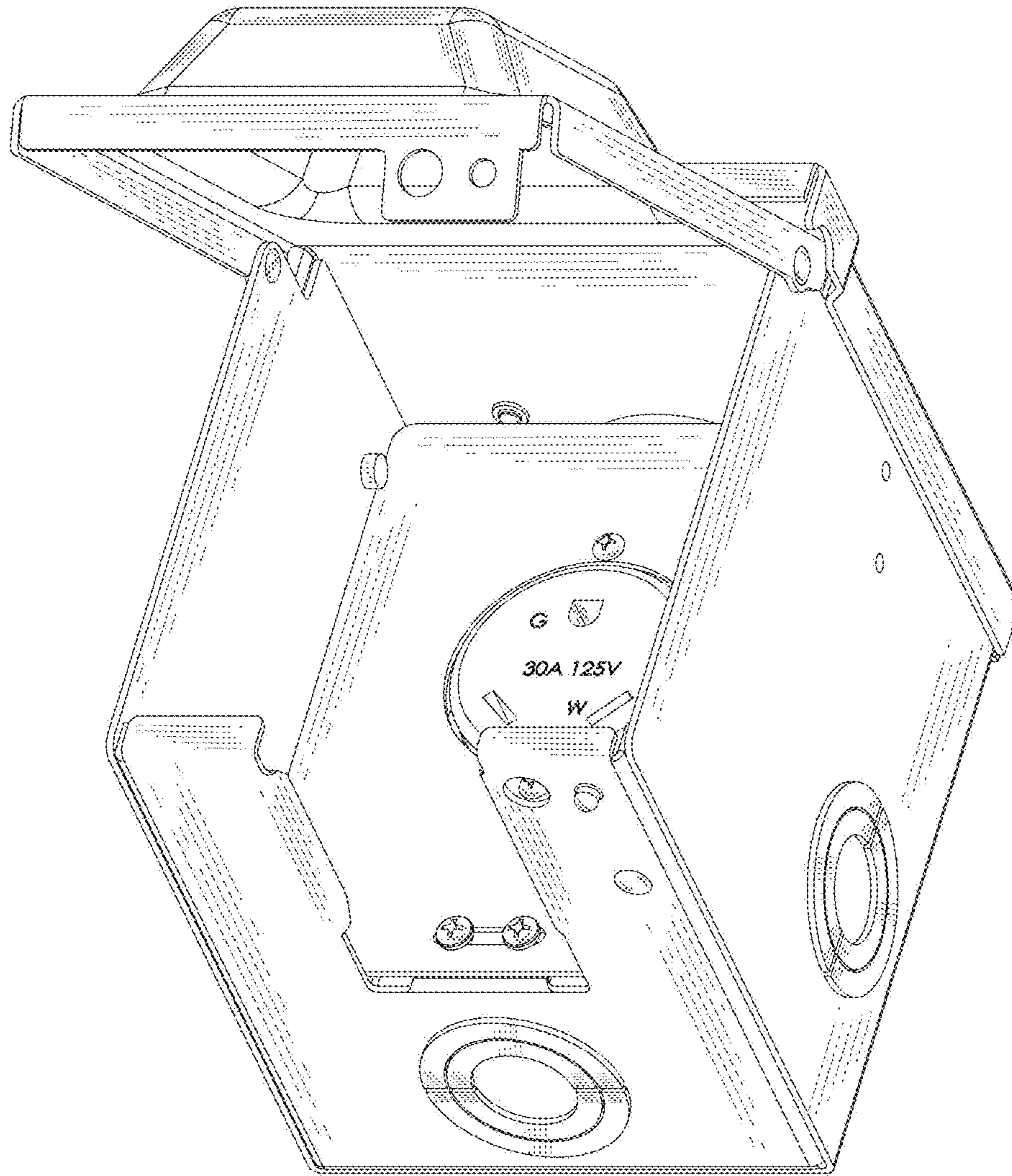


FIG. 8