



US00D981963S

(12) **United States Design Patent** (10) **Patent No.:** **US D981,963 S**  
**Semple et al.** (45) **Date of Patent:** **\*\* Mar. 28, 2023**

(54) **COMBINED ELECTRICAL BOX CABLE MANAGEMENT AND SUPPORT CLIP BRACKET**

D612,226 S \* 3/2010 Dinh ..... D8/356  
D613,150 S \* 4/2010 Rieder ..... D8/356  
D801,783 S \* 11/2017 Riner ..... D8/356  
D902,026 S \* 11/2020 O'Hare ..... D8/499  
D945,377 S \* 3/2022 Semple ..... D13/152  
2020/0200714 A1 \* 6/2020 Nixon ..... H02G 11/02  
2020/0266617 A1 \* 8/2020 Semple ..... H02G 3/123

(71) Applicant: **EATON INTELLIGENT POWER LIMITED**, Dublin (IE)

(72) Inventors: **Shane Semple**, Cecil, PA (US); **Ronald Conroy**, Liverpool, NY (US); **Gary Stephen Stasonis**, Pulaski, NY (US)

\* cited by examiner

(73) Assignee: **EATON INTELLIGENT POWER LIMITED**, Dublin (IE)

*Primary Examiner* — Mary Shannon Malley  
*Assistant Examiner* — Lee D. Starr

(74) *Attorney, Agent, or Firm* — Squire Patton Boggs (US) LLP

(\*\*) Term: **15 Years**

(21) Appl. No.: **29/824,689**

(57) **CLAIM**

(22) Filed: **Jan. 26, 2022**

We claim the ornamental design for a combined electrical box cable management and support clip bracket, as substantially shown and described.

**Related U.S. Application Data**

(62) Division of application No. 29/697,324, filed on Jul. 8, 2019, now Pat. No. Des. 945,377.

(51) **LOC (14) Cl.** ..... **13-03**

(52) **U.S. Cl.**  
USPC ..... **D13/152**

**DESCRIPTION**

(58) **Field of Classification Search**  
USPC ..... D13/152–158, 146, 147, 133, 199, 184;  
D8/352–356, 366  
CPC ..... H01R 13/506; H01R 13/508; H02G 3/04;  
H02G 3/0406; H02G 3/0418; H02G 3/08;  
H02G 3/081; H02G 3/12; H02G 3/123;  
H02G 3/125; H02G 3/14; H02G 3/16;  
H02G 3/30; H05K 7/14; H05K 7/1401;  
H05K 7/1405; H05K 7/1417; H05K 7/18;  
H05K 7/186

FIG. 1 is a perspective view of a combined electrical box cable management and support clip bracket showing our new design;  
FIG. 2 is a front elevational view thereof;  
FIG. 3 is a rear elevational view thereof;  
FIG. 4 is a right side elevational view thereof;  
FIG. 5 is a left side elevational view thereof;  
FIG. 6 is a top plan view thereof; and,  
FIG. 7 is a bottom plan view thereof.

See application file for complete search history.

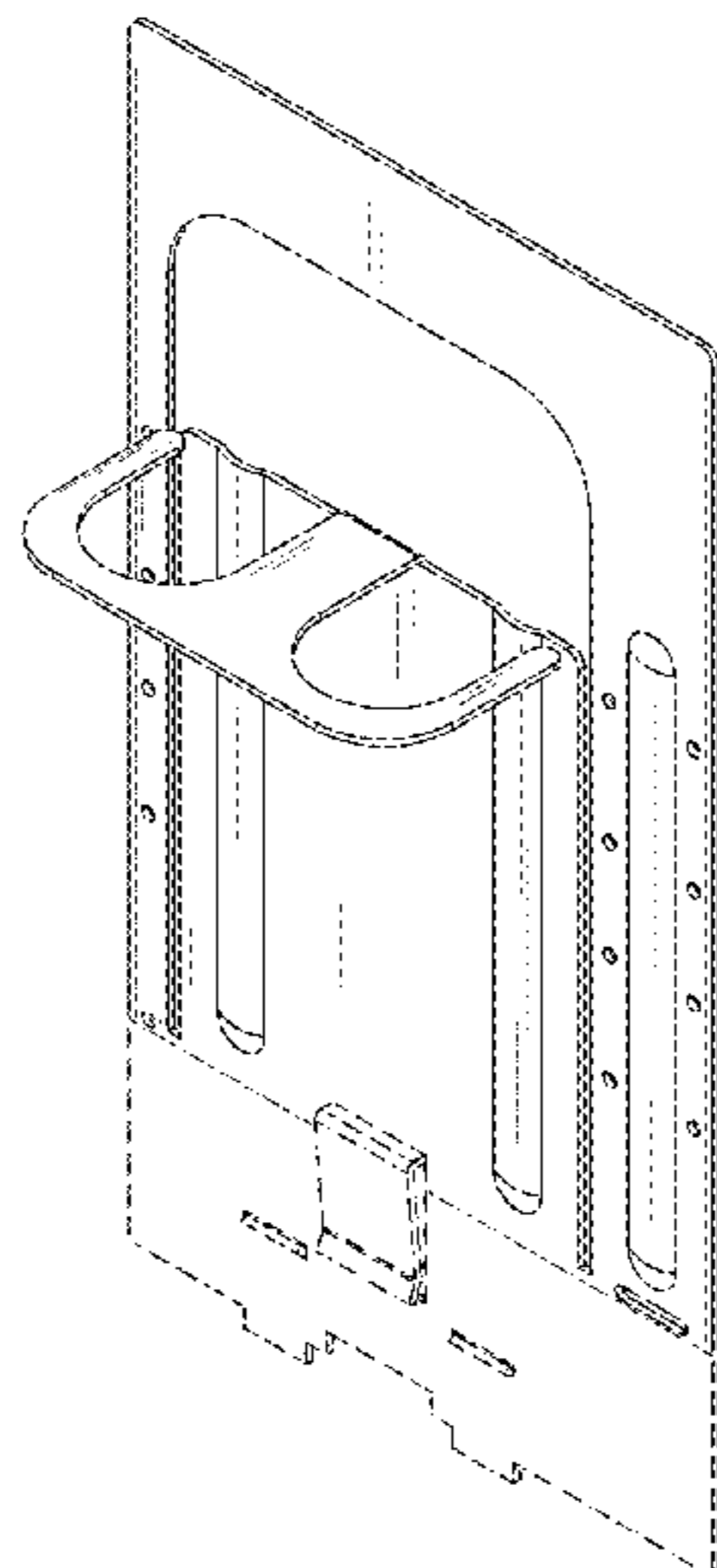
The dashed lines in the Figures indicate portions of the combined electrical box cable management and support clip bracket which form no part of the claimed design. The dash/dot lines in the Figures indicate a boundary between claimed and unclaimed portions of the combined electrical box cable management and support clip bracket, and also form no part of the claimed design.

(56) **References Cited**

**U.S. PATENT DOCUMENTS**

2,831,222 A \* 4/1958 Anderson ..... E04F 13/0826  
52/489.1  
D502,388 S \* 3/2005 Cortez ..... D8/356

**1 Claim, 5 Drawing Sheets**



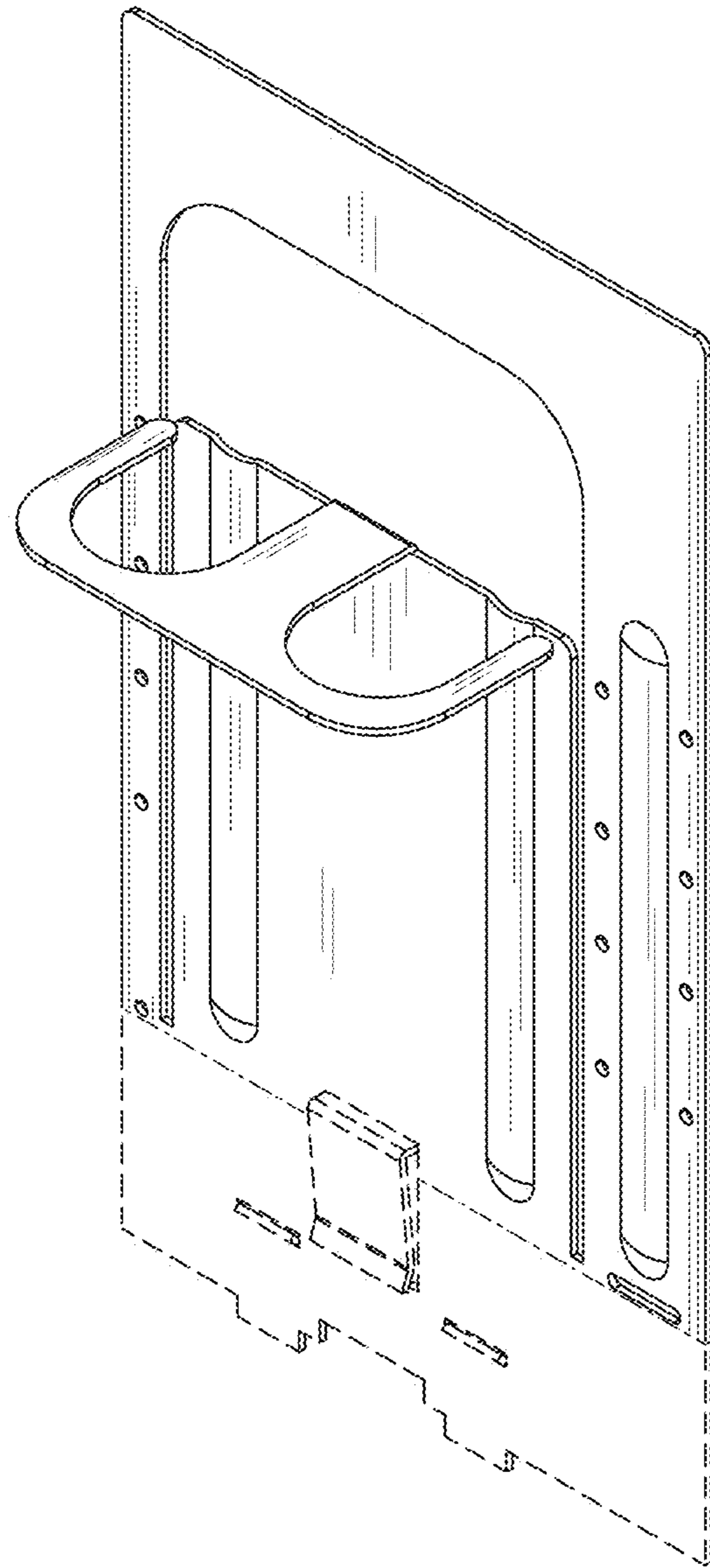


FIG. 1

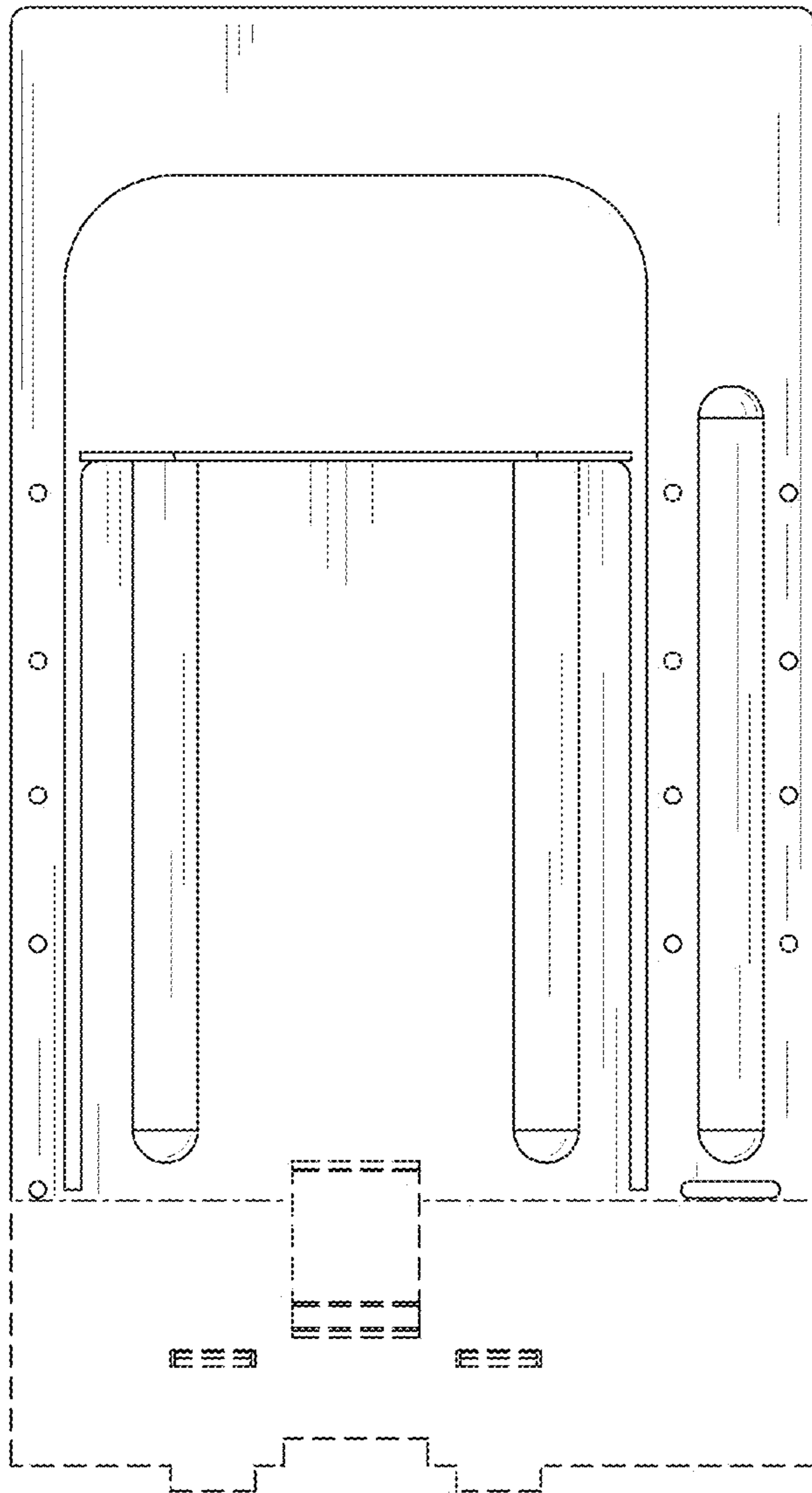


FIG. 2

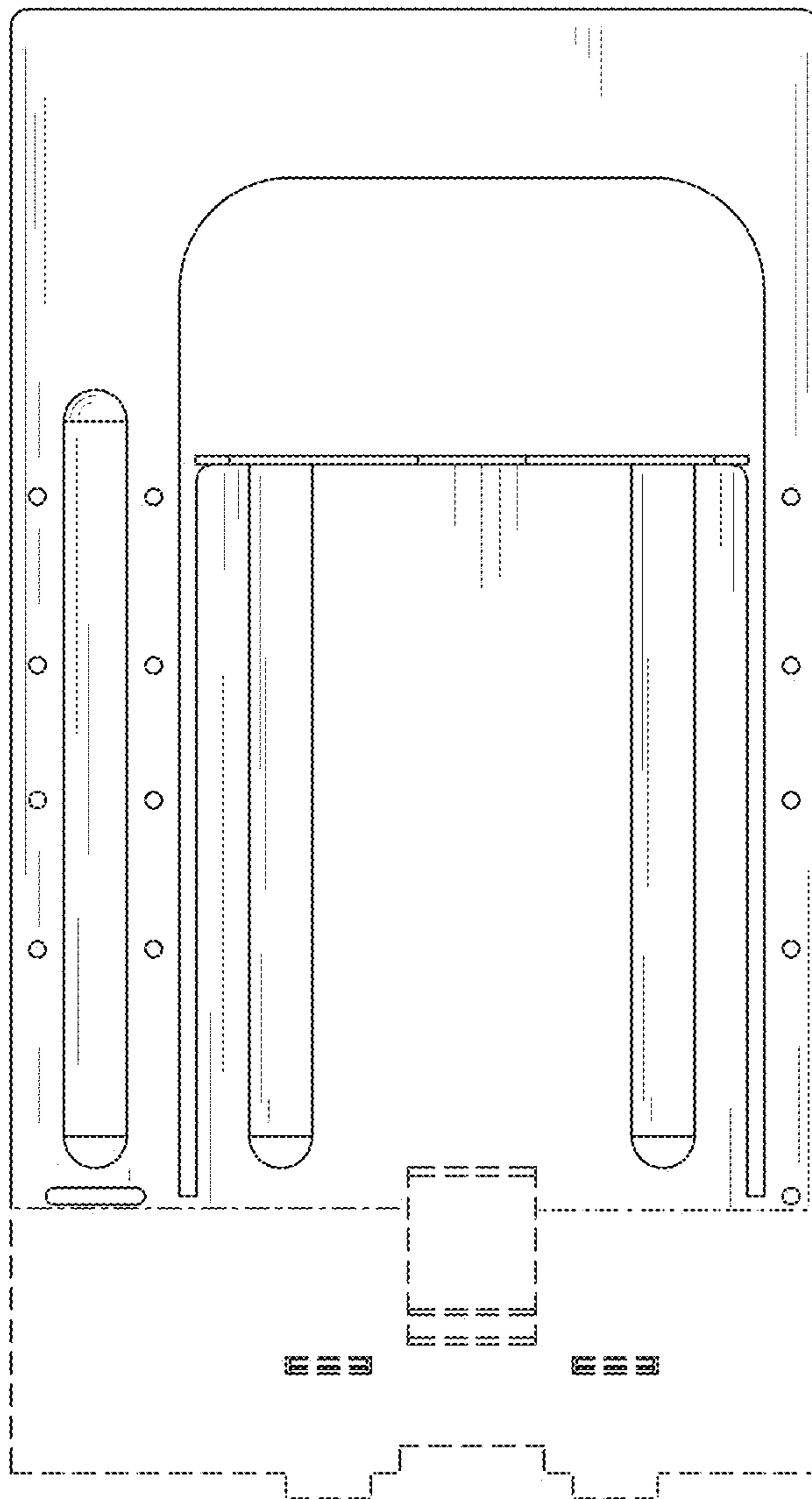


FIG. 3

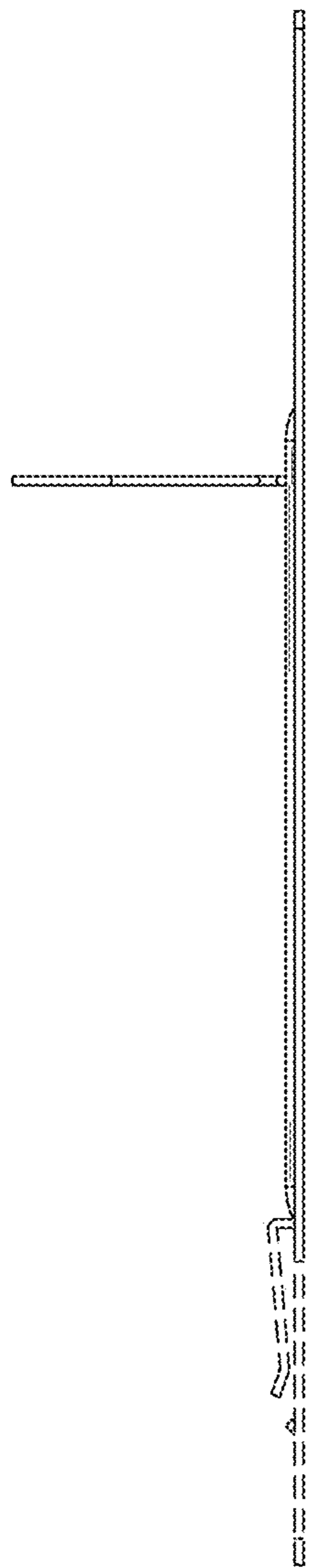


FIG. 4

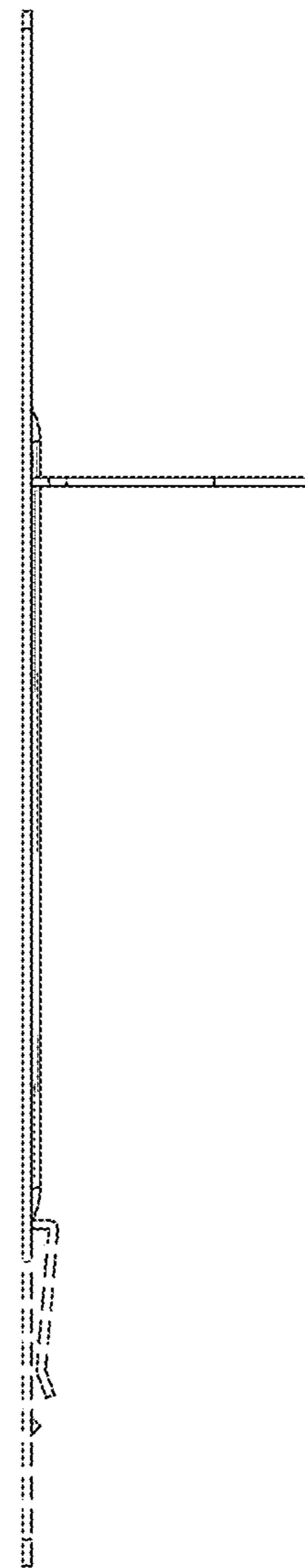


FIG. 5

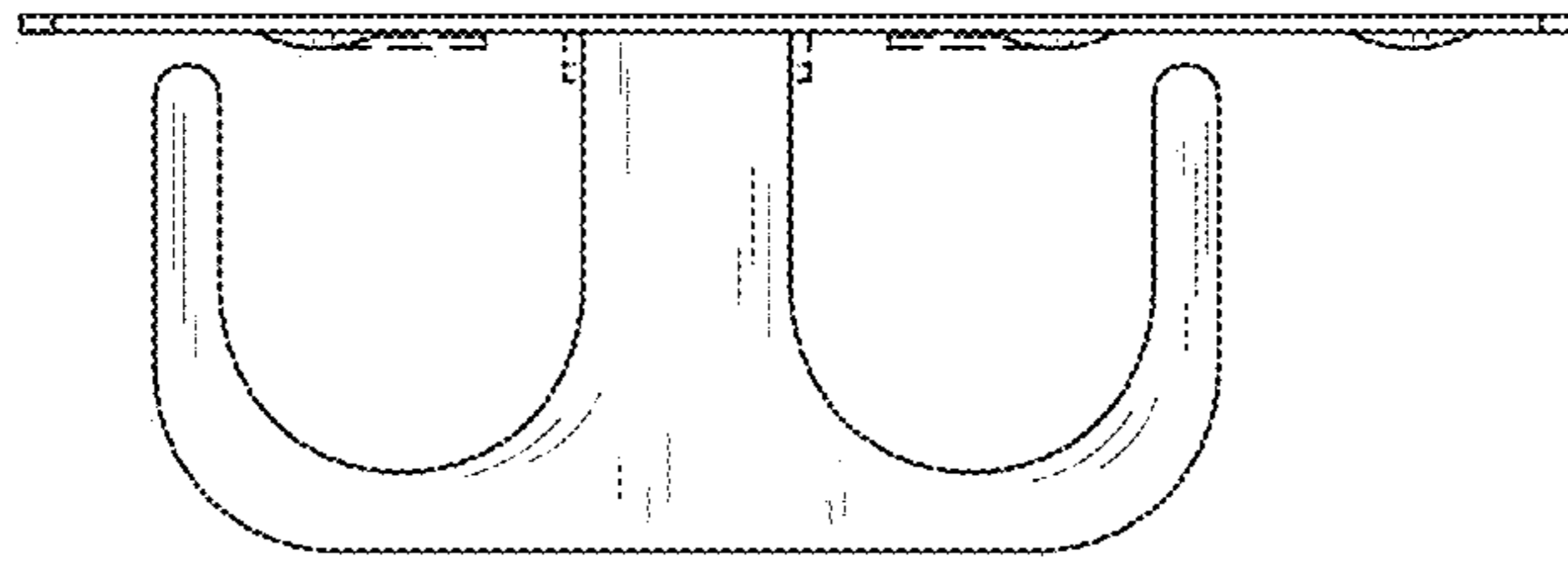


FIG. 6

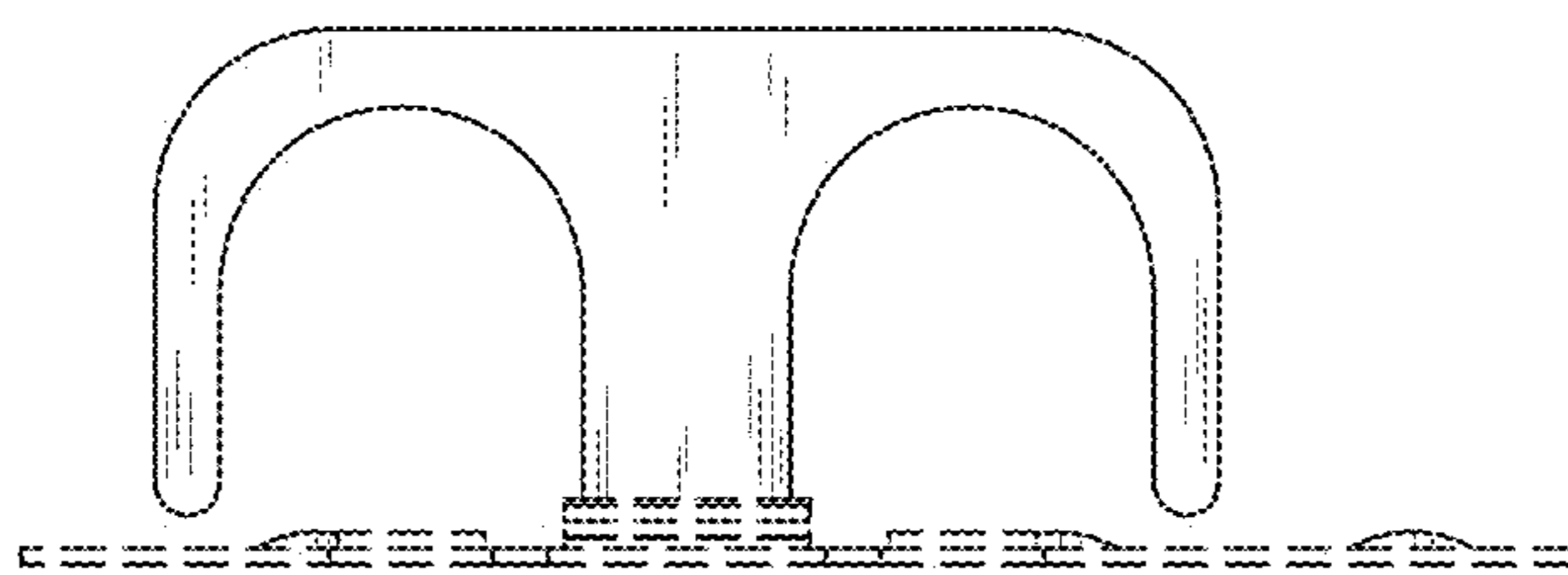


FIG. 7