



US00D981960S

(12) **United States Design Patent**
Gregori

(10) **Patent No.:** **US D981,960 S**
(45) **Date of Patent:** **** Mar. 28, 2023**

- (54) **CONNECTOR HOUSING**
- (71) Applicant: **Molex, LLC**, Lisle, IL (US)
- (72) Inventor: **Timothy R. Gregori**, New Lenox, IL (US)
- (73) Assignee: **Molex, LLC**, Lisle, IL (US)
- (**) Term: **15 Years**
- (21) Appl. No.: **29/798,959**
- (22) Filed: **Jul. 12, 2021**

- D479,199 S 9/2003 Jones et al.
- D488,782 S 4/2004 Kashiyama et al.
- D643,817 S 8/2011 Ando et al.
- 8,016,606 B1 9/2011 Kwan et al.
- D704,647 S 5/2014 Grant et al.
- 9,812,813 B1 11/2017 Sakamoto et al.
- D845,242 S 4/2019 Gregori
- D848,952 S 5/2019 Gregori
- D848,953 S 5/2019 Gregori
- D892,743 S 8/2020 Somanathapura Ramanna et al.
- D893,426 S 8/2020 Somanathapura Ramanna et al.
- D900,038 S * 10/2020 Kurita D13/147

(Continued)

Related U.S. Application Data

- (62) Division of application No. 29/638,767, filed on Feb. 28, 2018, now Pat. No. Des. 930,590.
- (51) **LOC (14) Cl.** **13-03**
- (52) **U.S. Cl.**
USPC **D13/133**
- (58) **Field of Classification Search**
USPC D13/147, 154, 120, 133, 148, 149, 182
CPC H01R 11/12; H01R 2107/00; H01R 4/28
See application file for complete search history.

References Cited

U.S. PATENT DOCUMENTS

- 4,772,229 A * 9/1988 Nix H01R 13/4362
439/752
- D308,512 S 6/1990 Endo et al.
- D308,513 S 6/1990 Endo et al.
- D310,994 S * 10/1990 Yagi D13/146
- D315,717 S 3/1991 Takenouchi et al.
- D319,813 S 9/1991 Kozono
- D323,316 S 1/1992 Ohkura et al.
- D323,485 S 1/1992 Ohkura et al.
- D336,283 S 6/1993 Ohkura et al.
- D410,629 S 6/1999 Bandura et al.
- 6,077,101 A 6/2000 Garretson et al.
- D463,776 S 10/2002 Chen

FOREIGN PATENT DOCUMENTS

- TW D146800 5/2012
- TW D157157 11/2013
- TW D188260 2/2018

Primary Examiner — Jennifer O King

(74) *Attorney, Agent, or Firm* — Banner & Witcoff, Ltd.

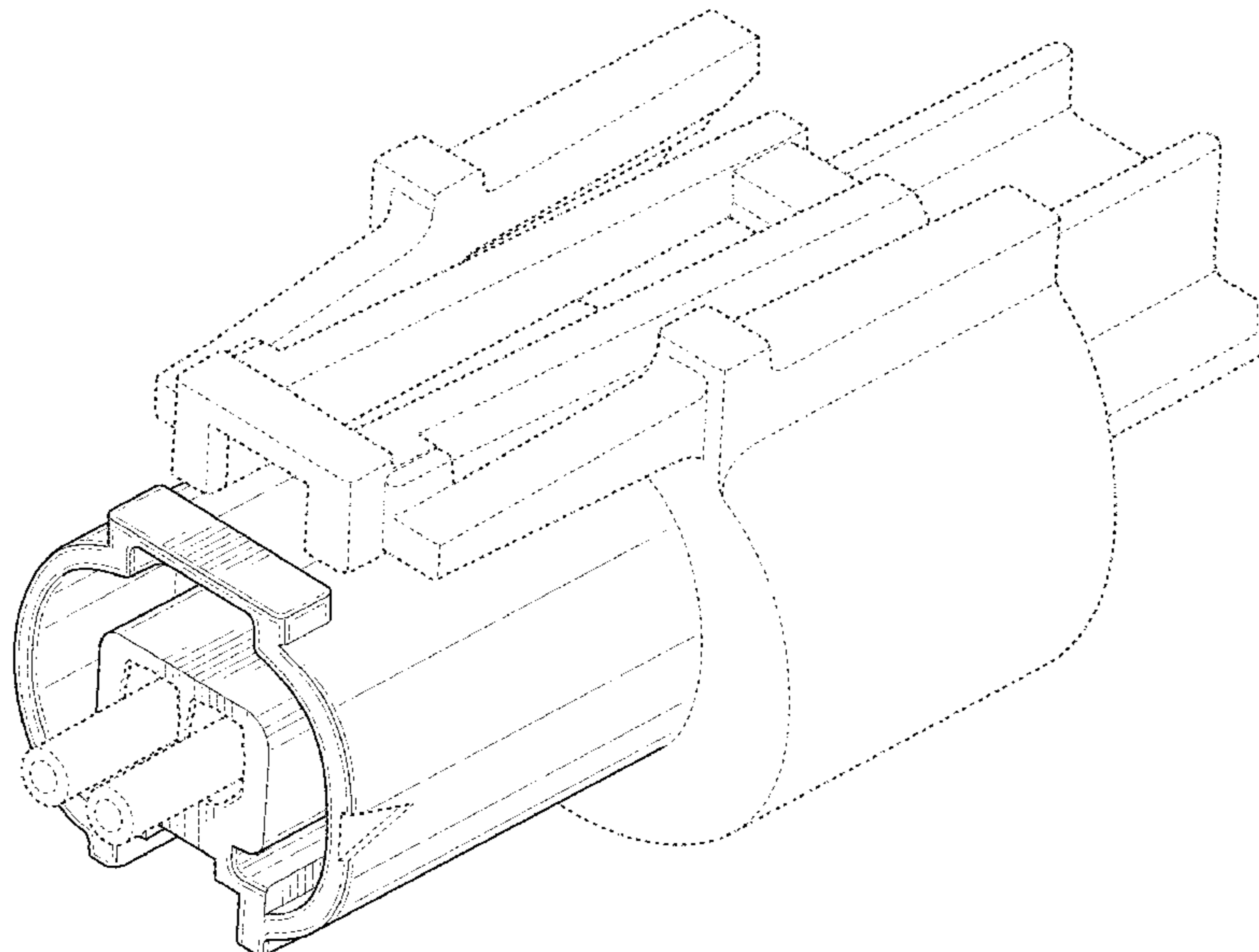
(57) **CLAIM**

The ornamental design for a connector housing, as shown and described.

DESCRIPTION

FIG. 1 is a front perspective view of a connector housing showing my new design;
 FIG. 2 is a front view thereof;
 FIG. 3 is a rear view thereof;
 FIG. 4 is a right side view thereof;
 FIG. 5 is a left side view thereof;
 FIG. 6 is a top view thereof;
 FIG. 7 is a bottom view thereof; and,
 FIG. 8 is a rear perspective view thereof.
 The broken lines depicting the remainder of the connector housing show features that form no part of the claimed design. The unshaded regions form no part of the claimed design.

1 Claim, 8 Drawing Sheets



(56)

References Cited

U.S. PATENT DOCUMENTS

D906,976 S * 1/2021 Somanathapura Ramanna
D13/133
11,031,719 B2 * 6/2021 Somanathapura Ramanna
H01R 13/28
D924,158 S * 7/2021 Corona D13/146
D930,590 S * 9/2021 Gregori D13/133
D933,609 S * 10/2021 Obata D13/133
D934,176 S * 10/2021 Obata D13/133
D942,949 S * 2/2022 Somanathapura Ramanna
D13/133
2002/0111059 A1 8/2002 Raudenbush et al.
2006/0240718 A1 10/2006 Osada et al.
2007/0161284 A1 7/2007 Tyler
2008/0233773 A1 9/2008 Meleck
2016/0164224 A1 6/2016 Sekino
2017/0179646 A1 6/2017 Holub
2017/0317448 A1 11/2017 Benichou et al.

* cited by examiner

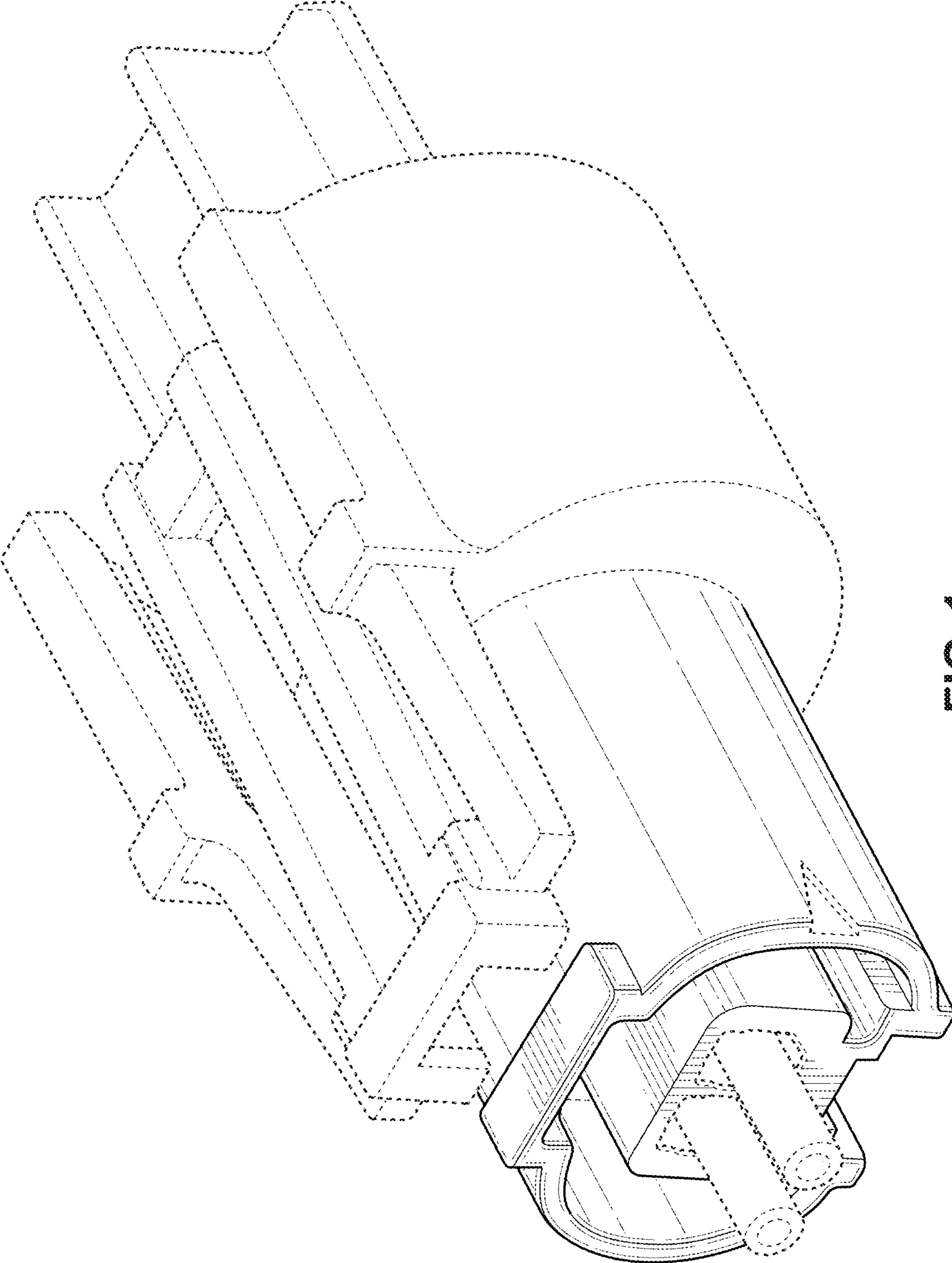


FIG. 1

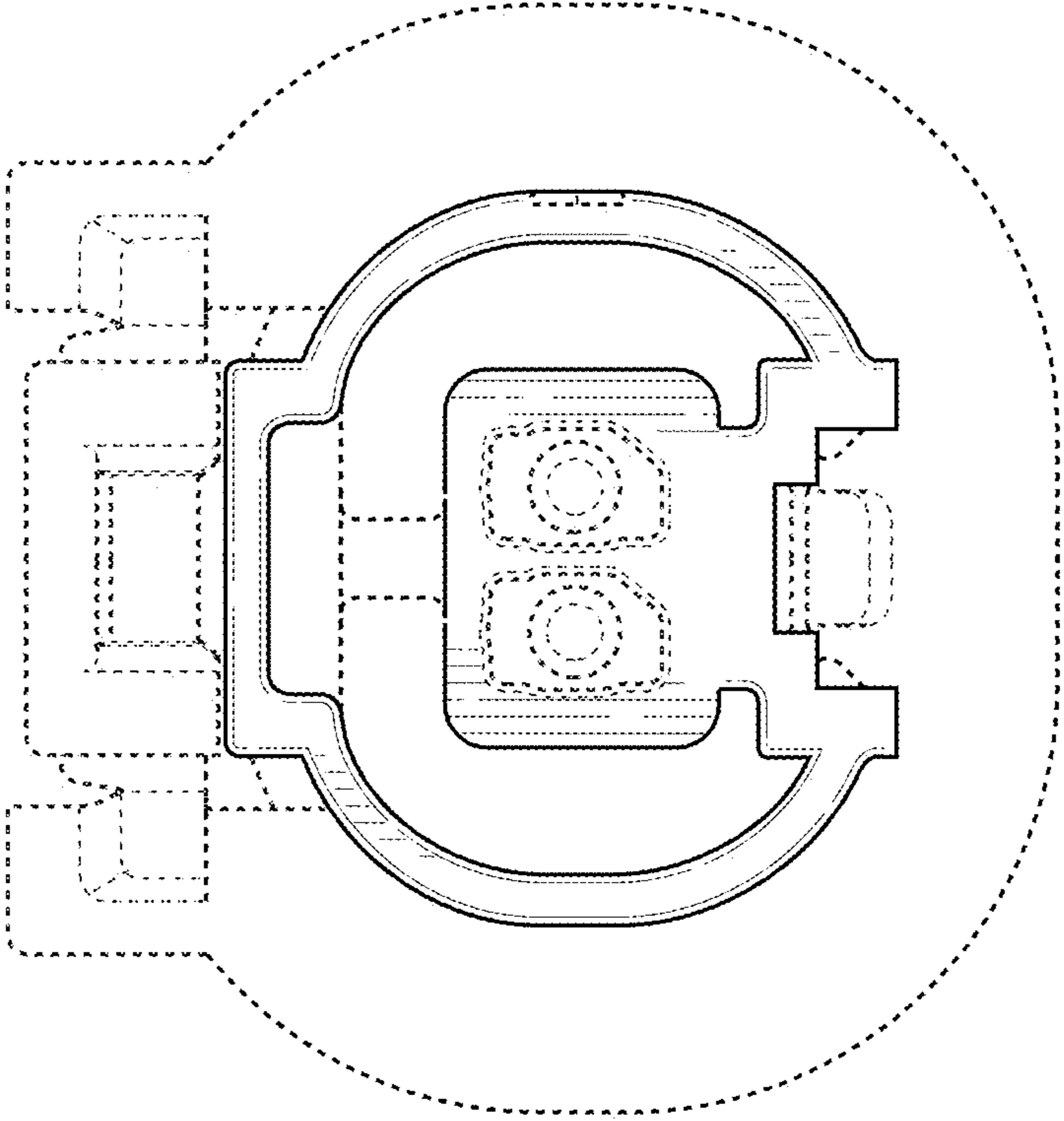


FIG. 2

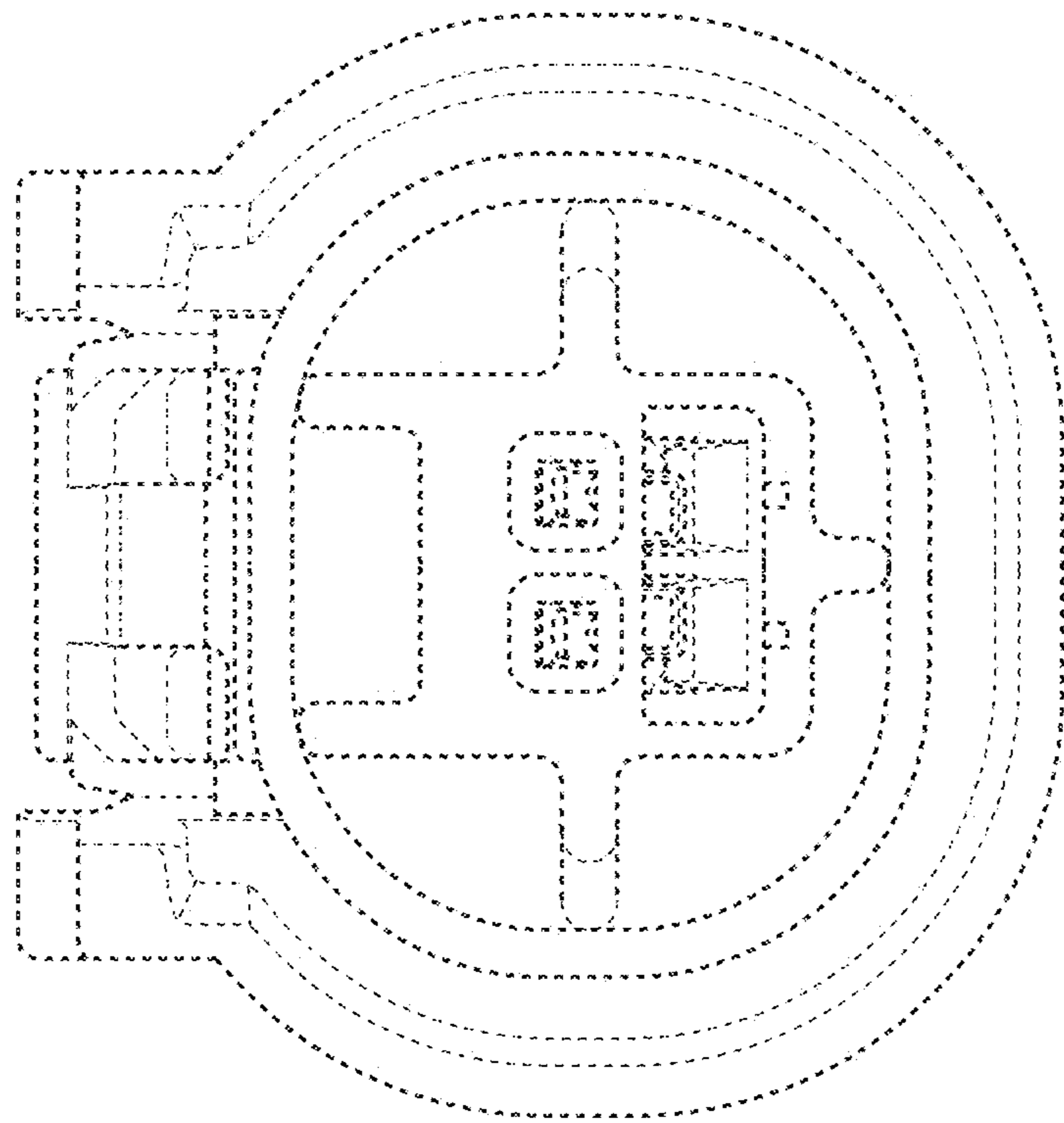


FIG. 3

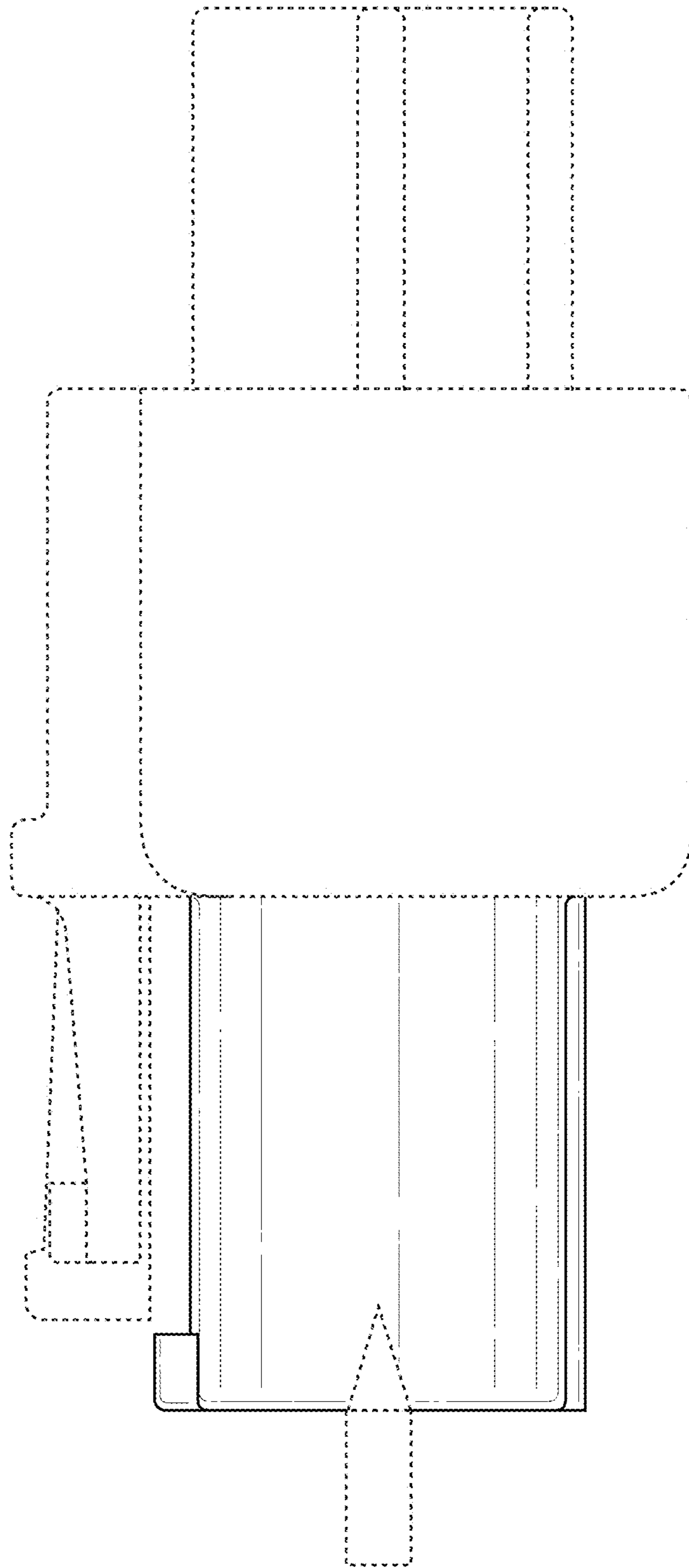


FIG. 4

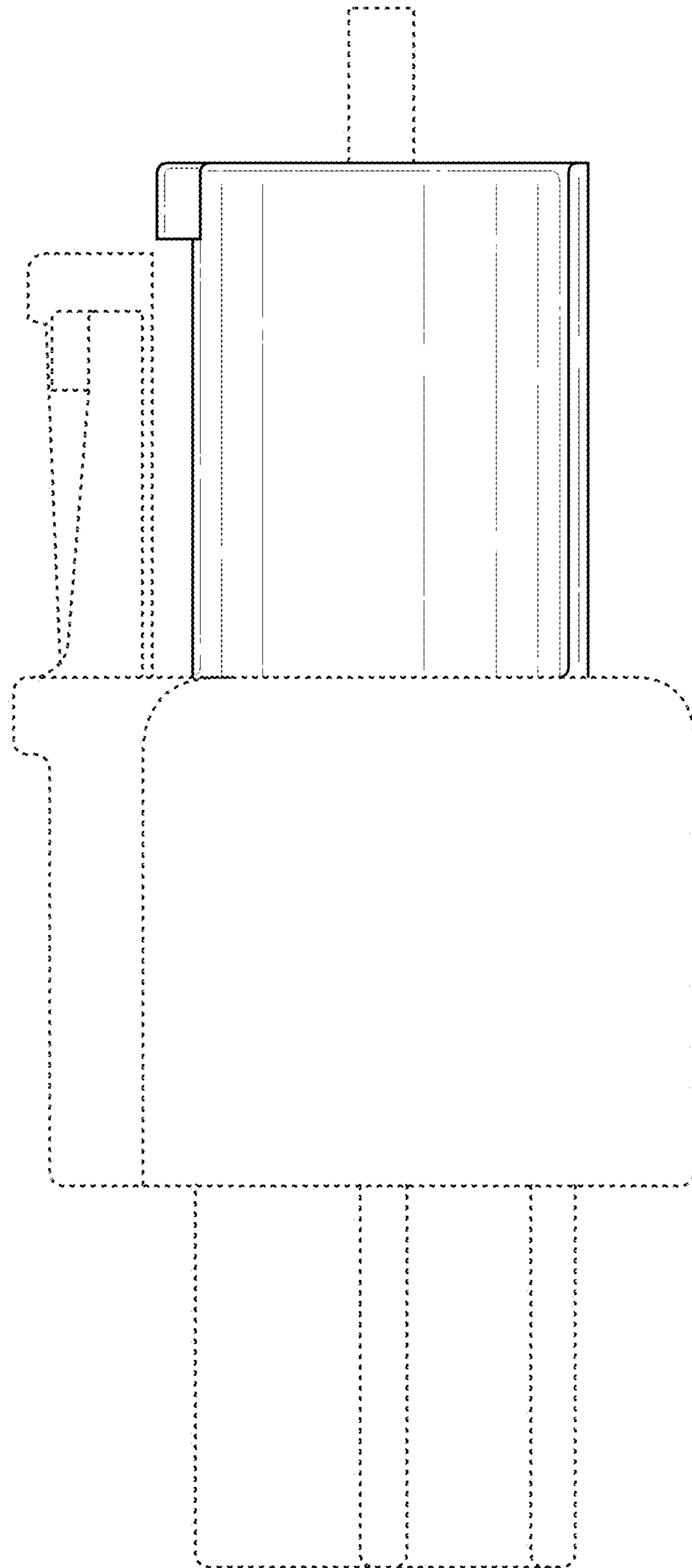


FIG. 5

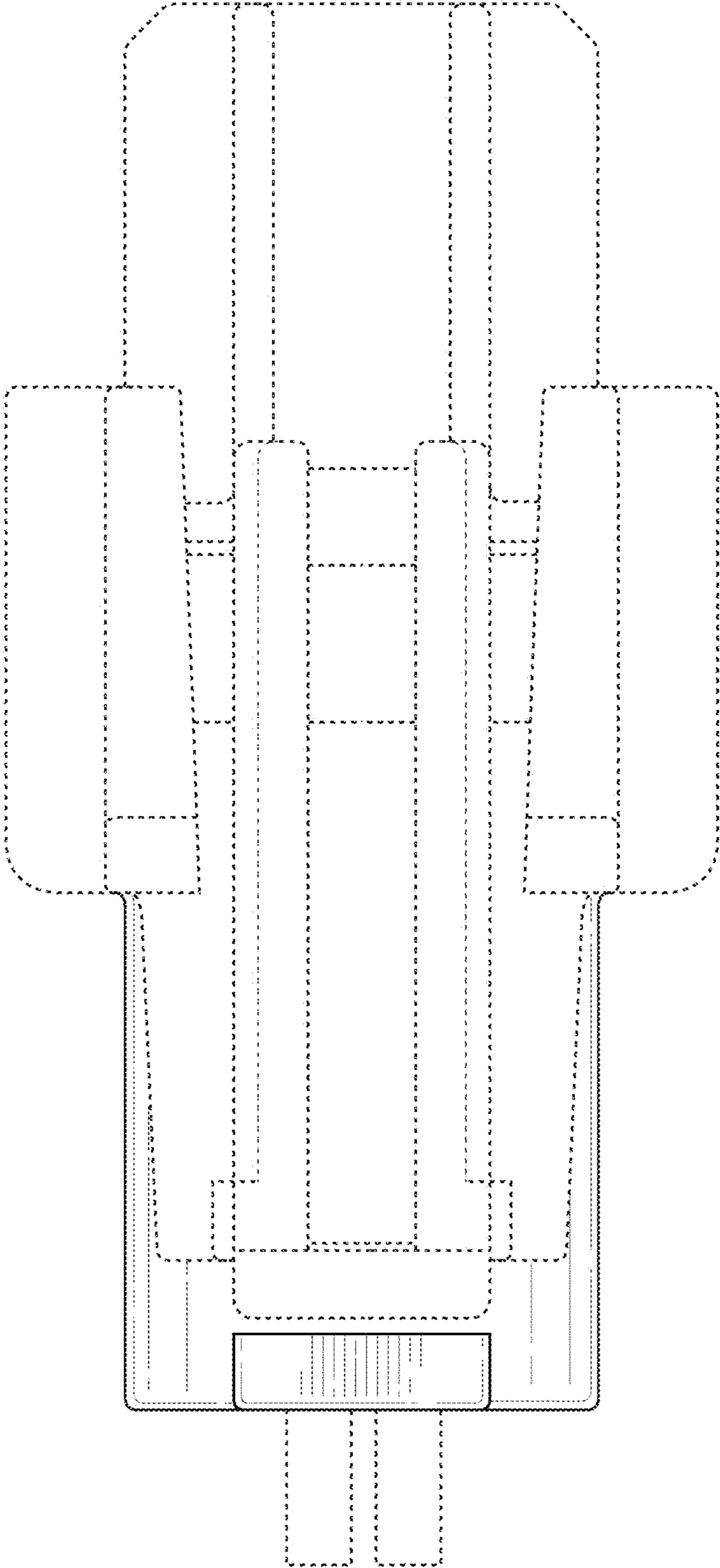


FIG. 6

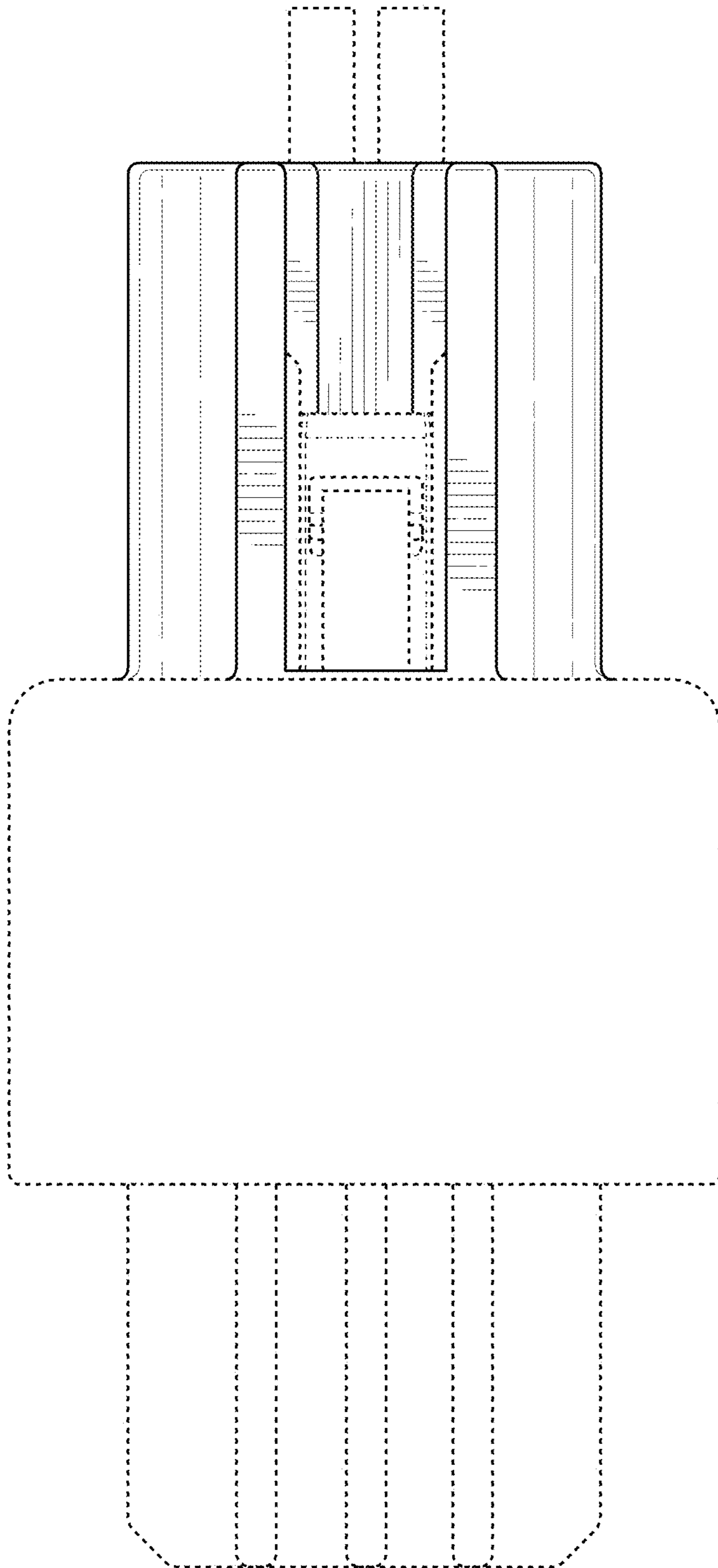


FIG. 7

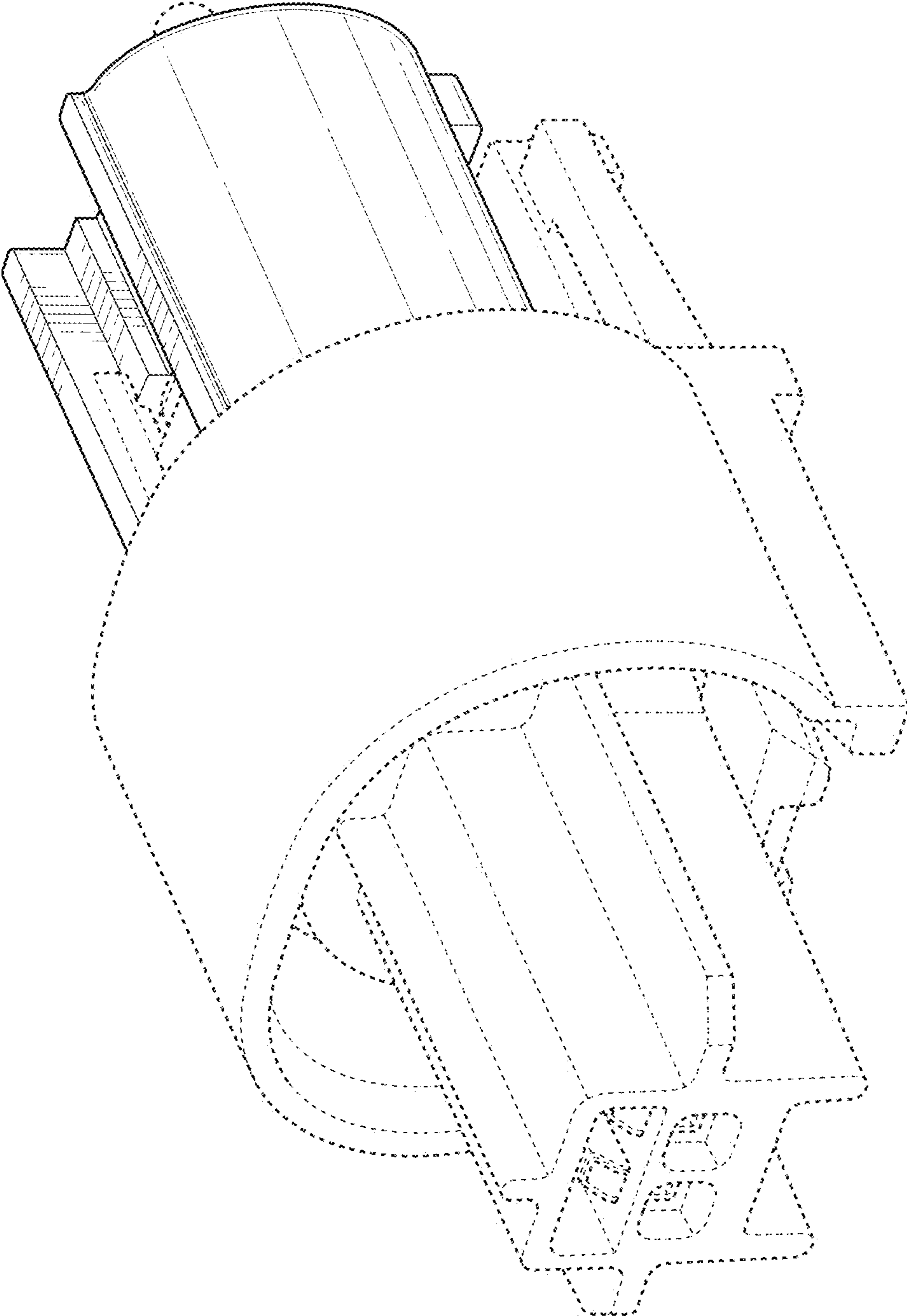


FIG. 8