



US00D981959S

(12) **United States Design Patent**  
**Gregori**

(10) **Patent No.:** **US D981,959 S**  
(45) **Date of Patent:** **\*\* Mar. 28, 2023**

- (54) **CONNECTOR HOUSING**
- (71) Applicant: **Molex, LLC**, Lisle, IL (US)
- (72) Inventor: **Timothy R. Gregori**, New Lenox, IL (US)
- (73) Assignee: **Molex, LLC**, Lisle, IL (US)
- (\*\*) Term: **15 Years**
- (21) Appl. No.: **29/774,318**
- (22) Filed: **Mar. 16, 2021**

D488,782 S	4/2004	Kashiyama et al.
D643,817 S	8/2011	Ando et al.
8,016,606 B1	9/2011	Kwan et al.
D704,647 S	5/2014	Grant et al.
9,812,813 B1	11/2017	Sakamoto et al.
D845,242 S	4/2019	Gregori
D848,952 S	5/2019	Gregori
D848,953 S	5/2019	Gregori
D892,743 S	8/2020	Somanathapura Ramanna et al.
D893,426 S	8/2020	Somanathapura Ramanna et al.
D921,589 S *	6/2021	Blankinship ..... D13/133
D929,342 S *	8/2021	Corona ..... D13/146
D933,609 S *	10/2021	Obata ..... D13/133

(Continued)

**Related U.S. Application Data**

- (62) Division of application No. 29/638,769, filed on Feb. 28, 2018, now Pat. No. Des. 916,661.
- (51) **LOC (14) Cl.** ..... **13-03**
- (52) **U.S. Cl.**  
USPC ..... **D13/133**
- (58) **Field of Classification Search**  
USPC ..... D13/147, 154, 120, 133, 148, 149, 182  
CPC ..... H01R 11/12; H01R 2107/00; H01R 4/28  
See application file for complete search history.

**References Cited**

**U.S. PATENT DOCUMENTS**

4,710,135 A *	12/1987	Aoyama	.....	H01R 13/6272	439/598
D308,512 S	6/1990	Endo et al.			
D308,513 S	6/1990	Endo et al.			
D315,717 S	3/1991	Takenouchi et al.			
D319,813 S	9/1991	Kozono			
D323,316 S	1/1992	Ohkura et al.			
D323,485 S	1/1992	Ohkura et al.			
D336,283 S	6/1993	Ohkura et al.			
D410,629 S	6/1999	Bandura et al.			
6,077,101 A	6/2000	Garretson et al.			
D463,776 S	10/2002	Chen			
D479,199 S	9/2003	Jones et al.			

**FOREIGN PATENT DOCUMENTS**

TW	D146800	5/2012
TW	D157157	11/2013
TW	D188260	2/2018

*Primary Examiner* — Jennifer O King

(74) *Attorney, Agent, or Firm* — Banner & Witcoff, Ltd.

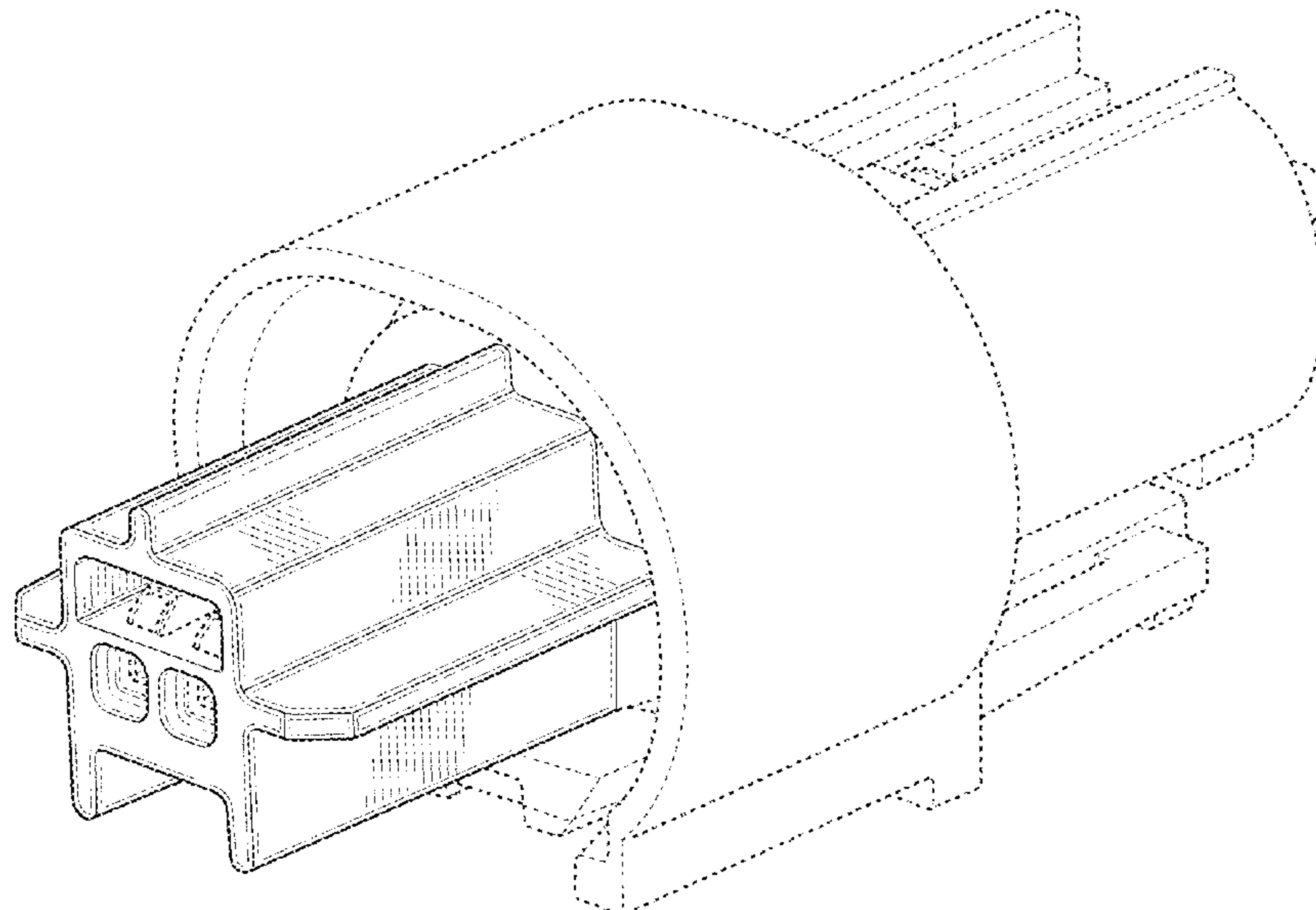
(57) **CLAIM**

The ornamental design for a connector housing, as shown and described.

**DESCRIPTION**

FIG. 1 is a rear perspective view of a connector housing showing my new design;  
 FIG. 2 is a rear view thereof;  
 FIG. 3 is a front view thereof;  
 FIG. 4 is a right side view thereof;  
 FIG. 5 is a left side view thereof;  
 FIG. 6 is a top view thereof;  
 FIG. 7 is a bottom view thereof; and,  
 FIG. 8 is a front perspective view thereof.  
 The broken line showing of the remainder of the connector housing illustrates environmental structure and forms no part of the claimed design.

**1 Claim, 8 Drawing Sheets**



(56)

**References Cited**

U.S. PATENT DOCUMENTS

D934,176 S \* 10/2021 Obata ..... D13/133  
11,309,661 B2 \* 4/2022 Obata ..... H01R 13/6272  
2002/0111059 A1 8/2002 Raudenbush et al.  
2006/0240718 A1 10/2006 Osada et al.  
2007/0161284 A1 7/2007 Tyler  
2008/0233773 A1 9/2008 Meleck  
2016/0164224 A1 6/2016 Sekino  
2017/0179646 A1 6/2017 Holub  
2017/0317448 A1 11/2017 Benichou et al.

\* cited by examiner

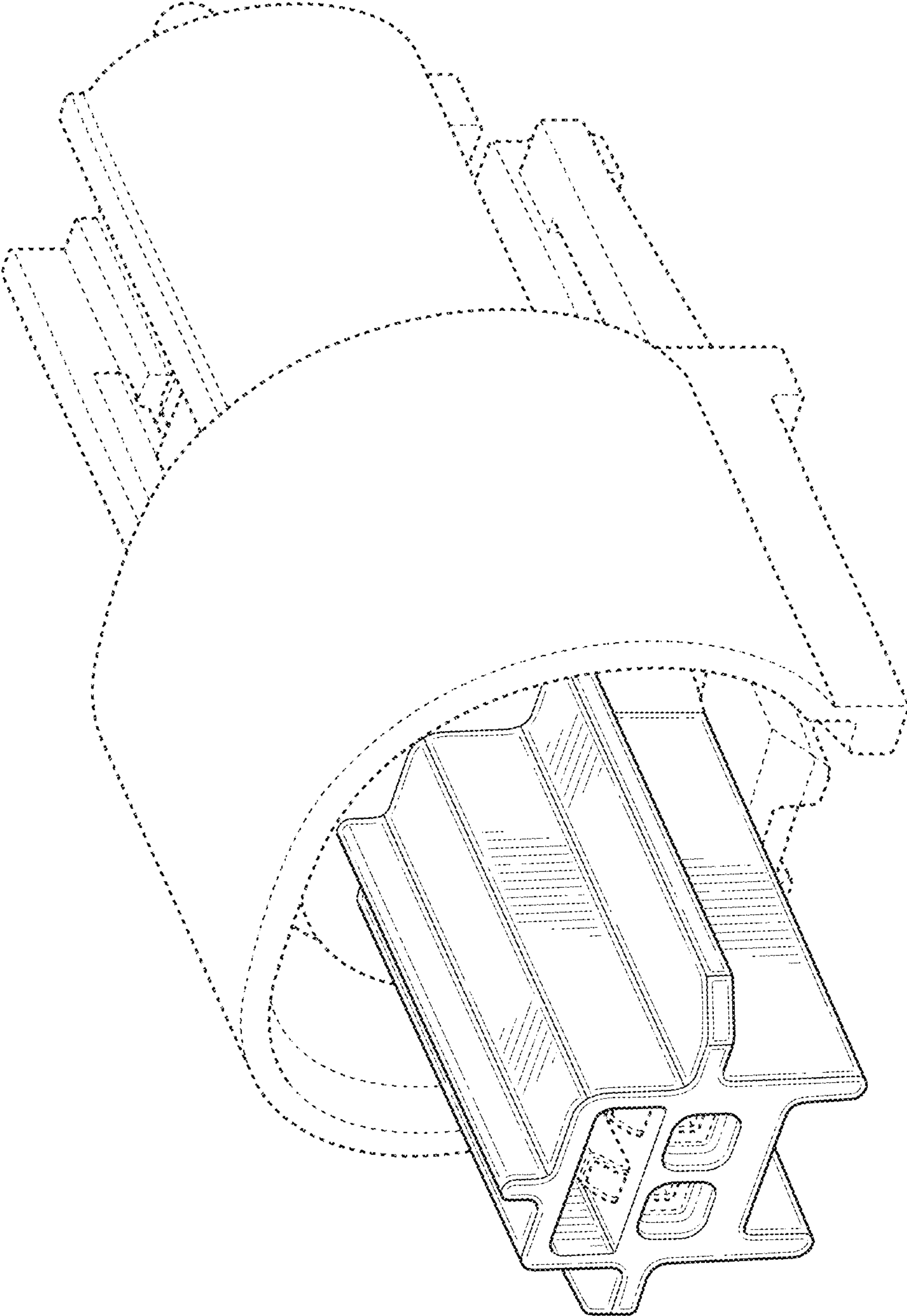


FIG. 1

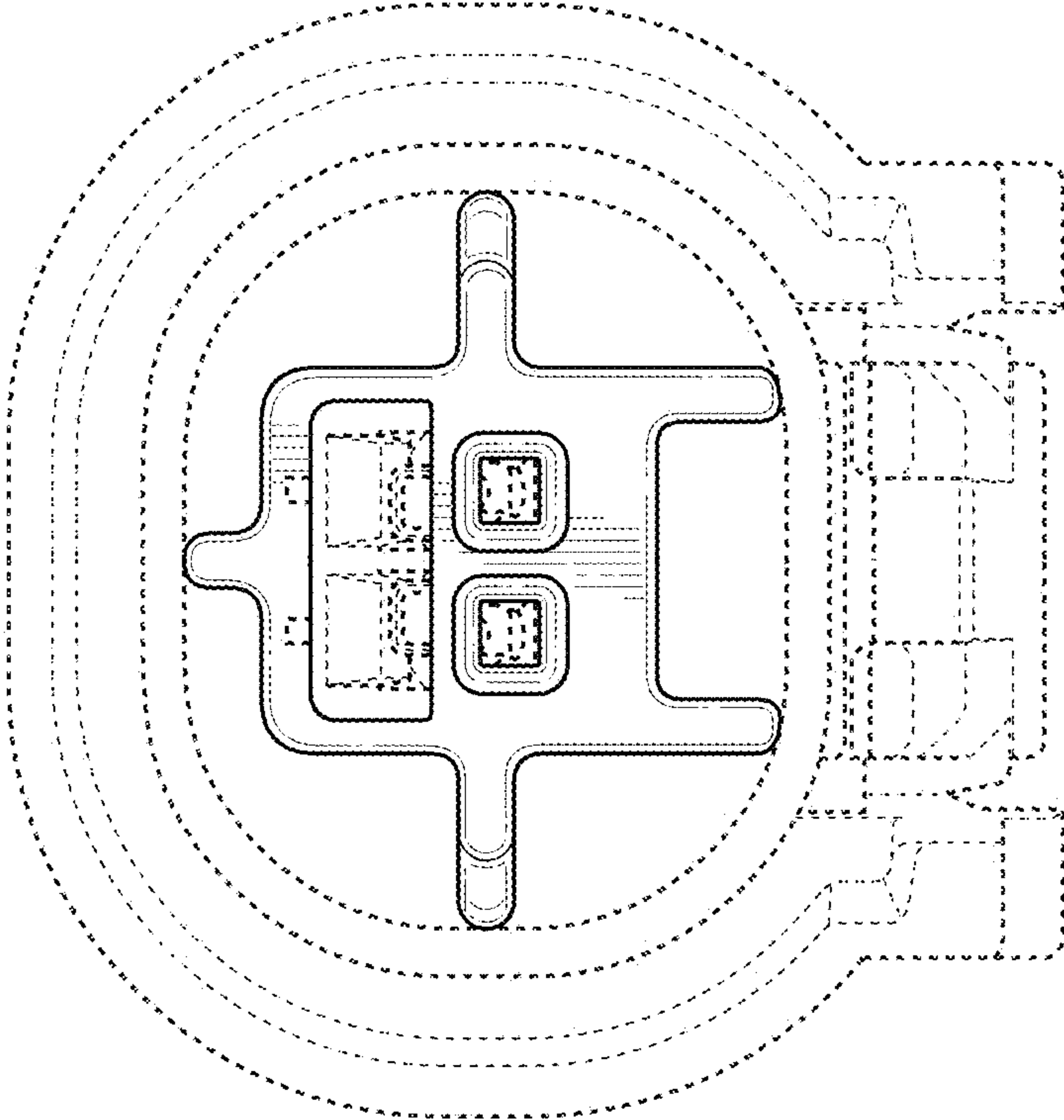


FIG. 2

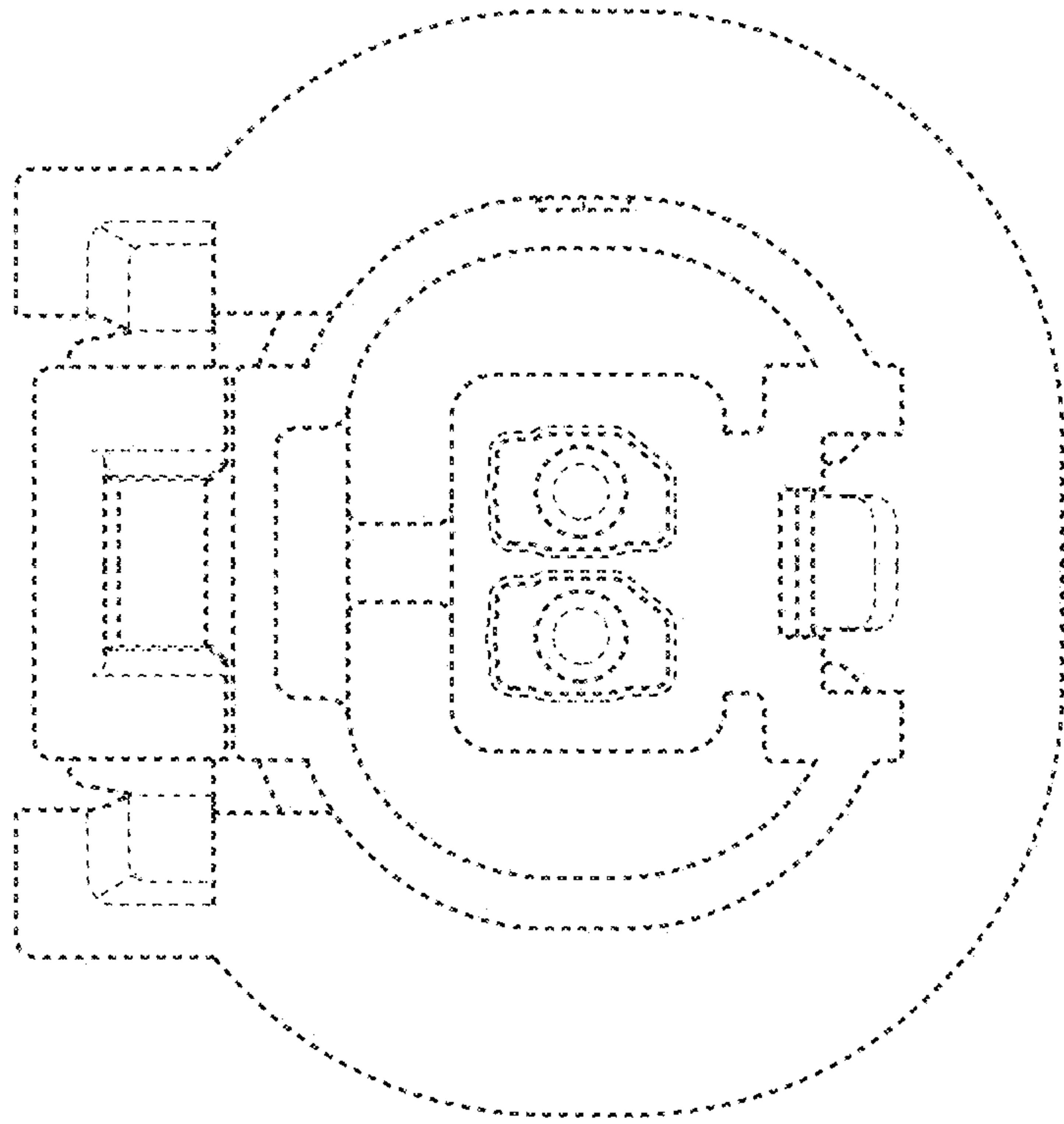


FIG. 3

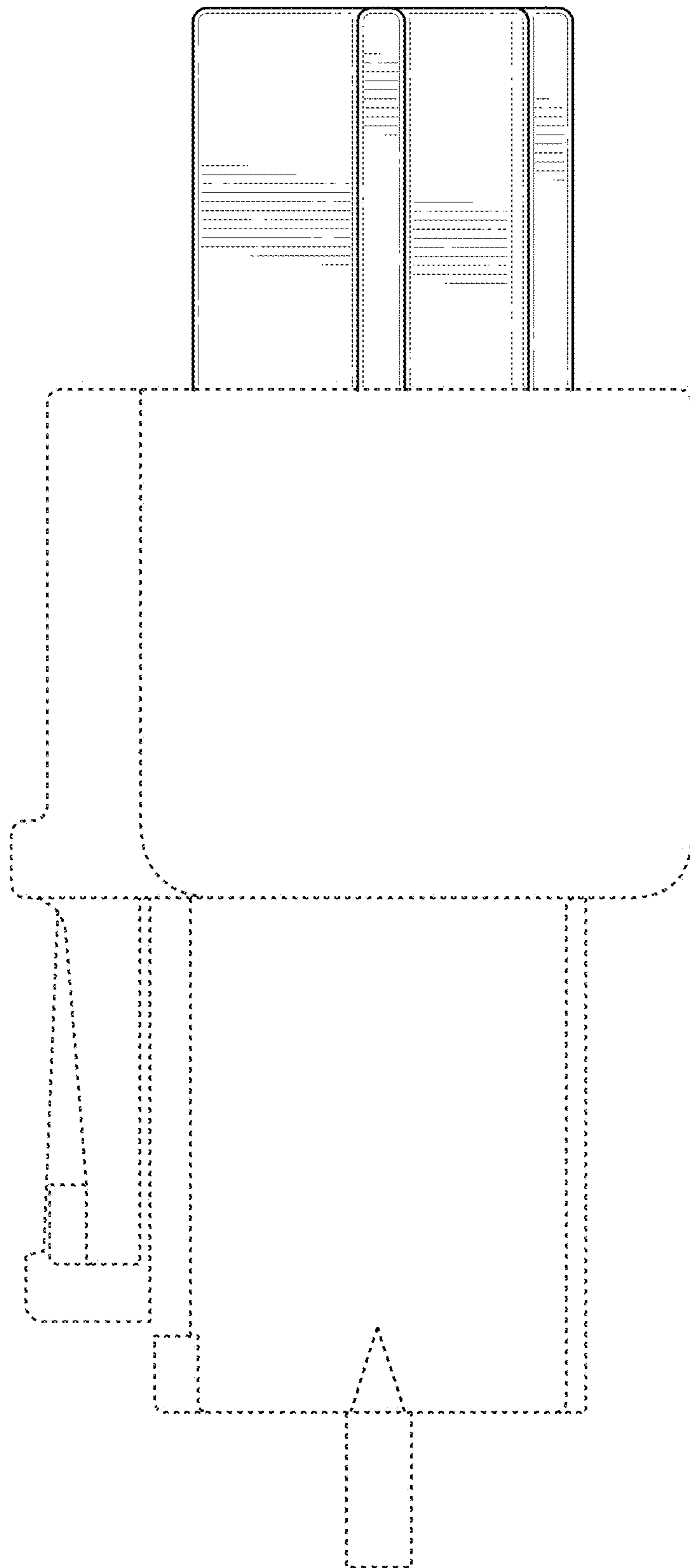


FIG. 4



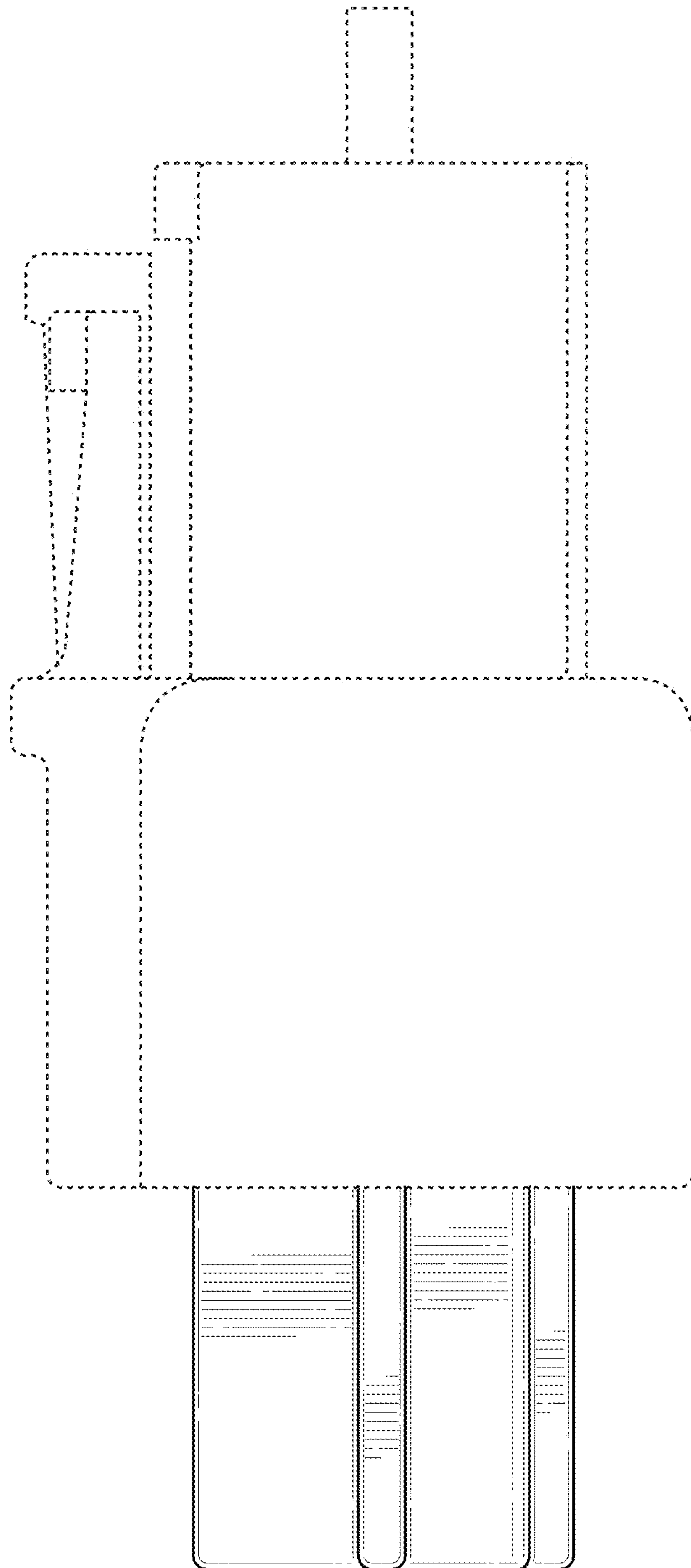


FIG. 5

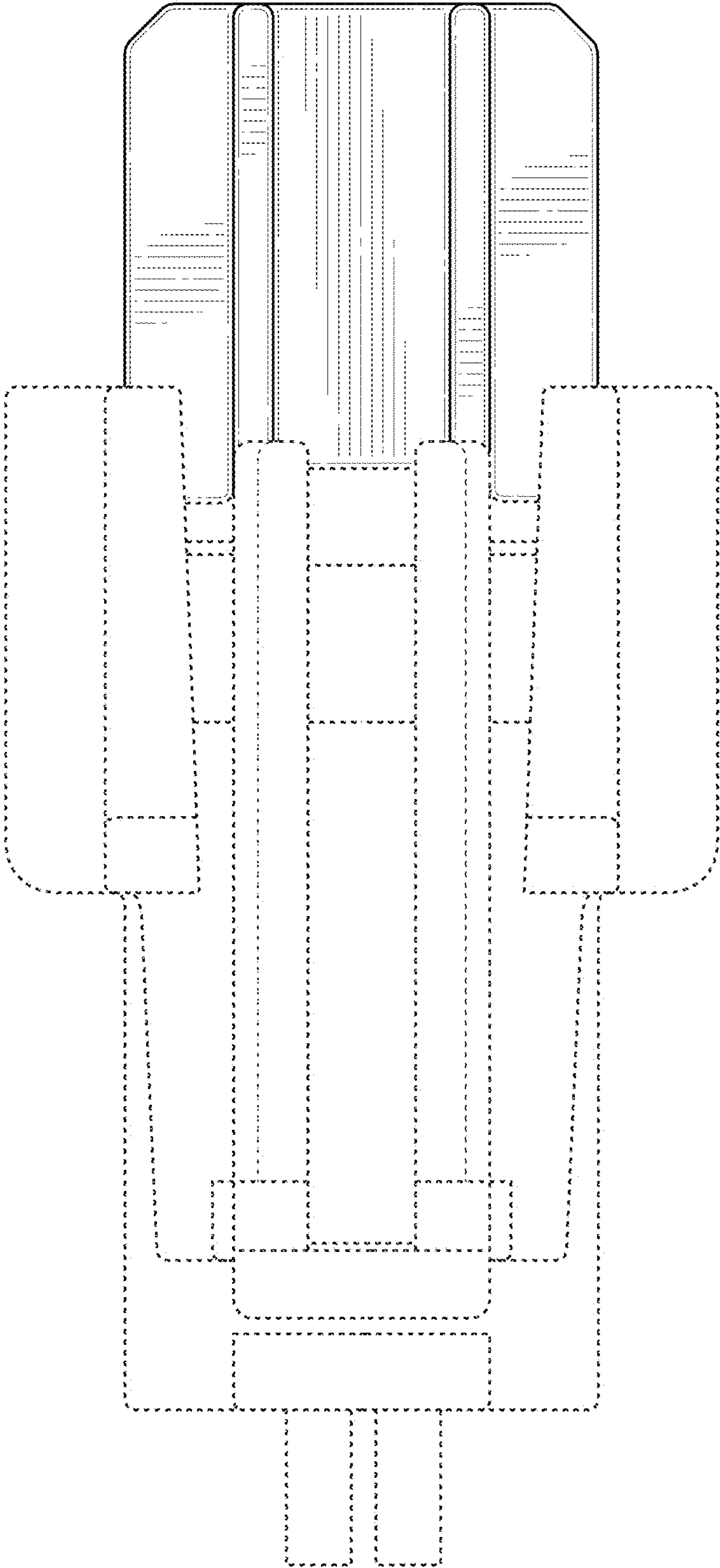


FIG. 6



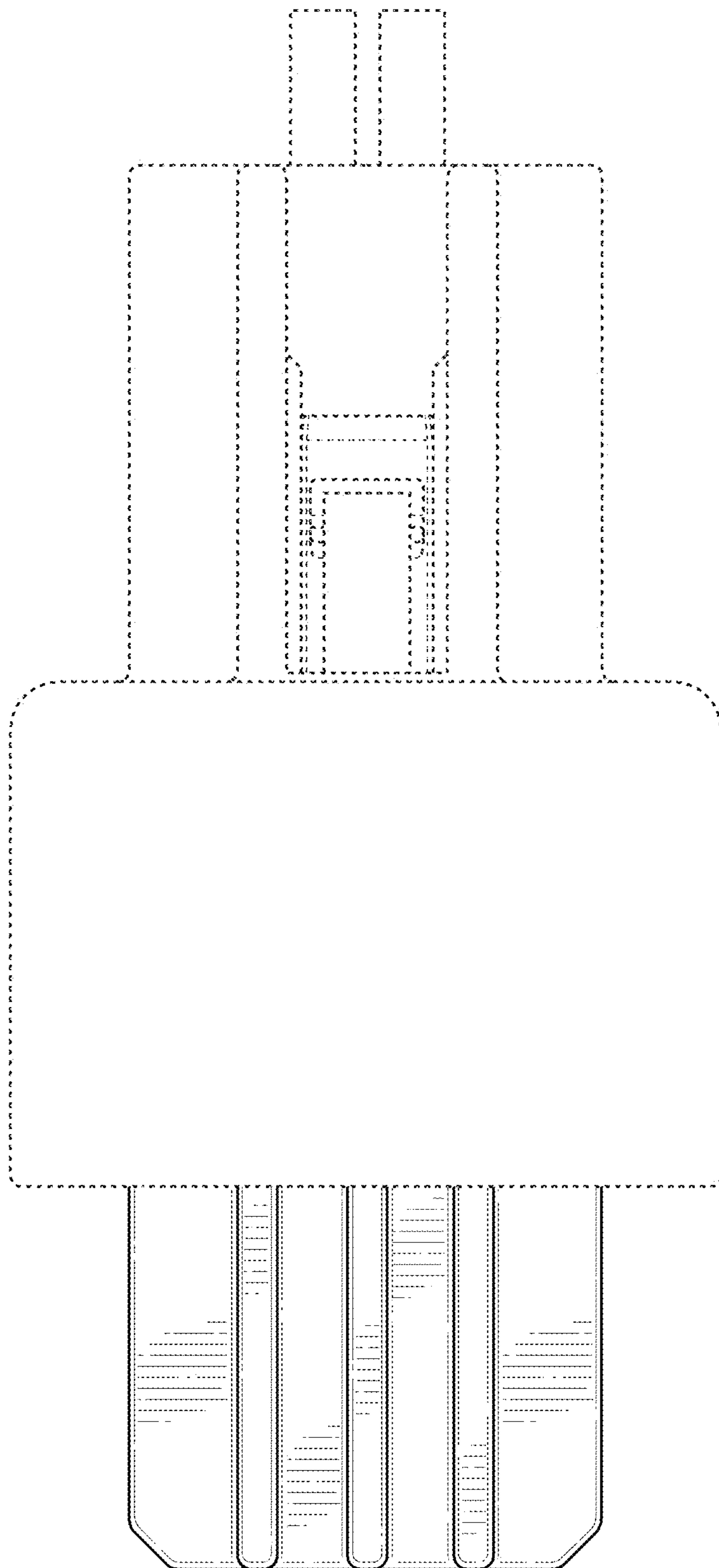


FIG. 7

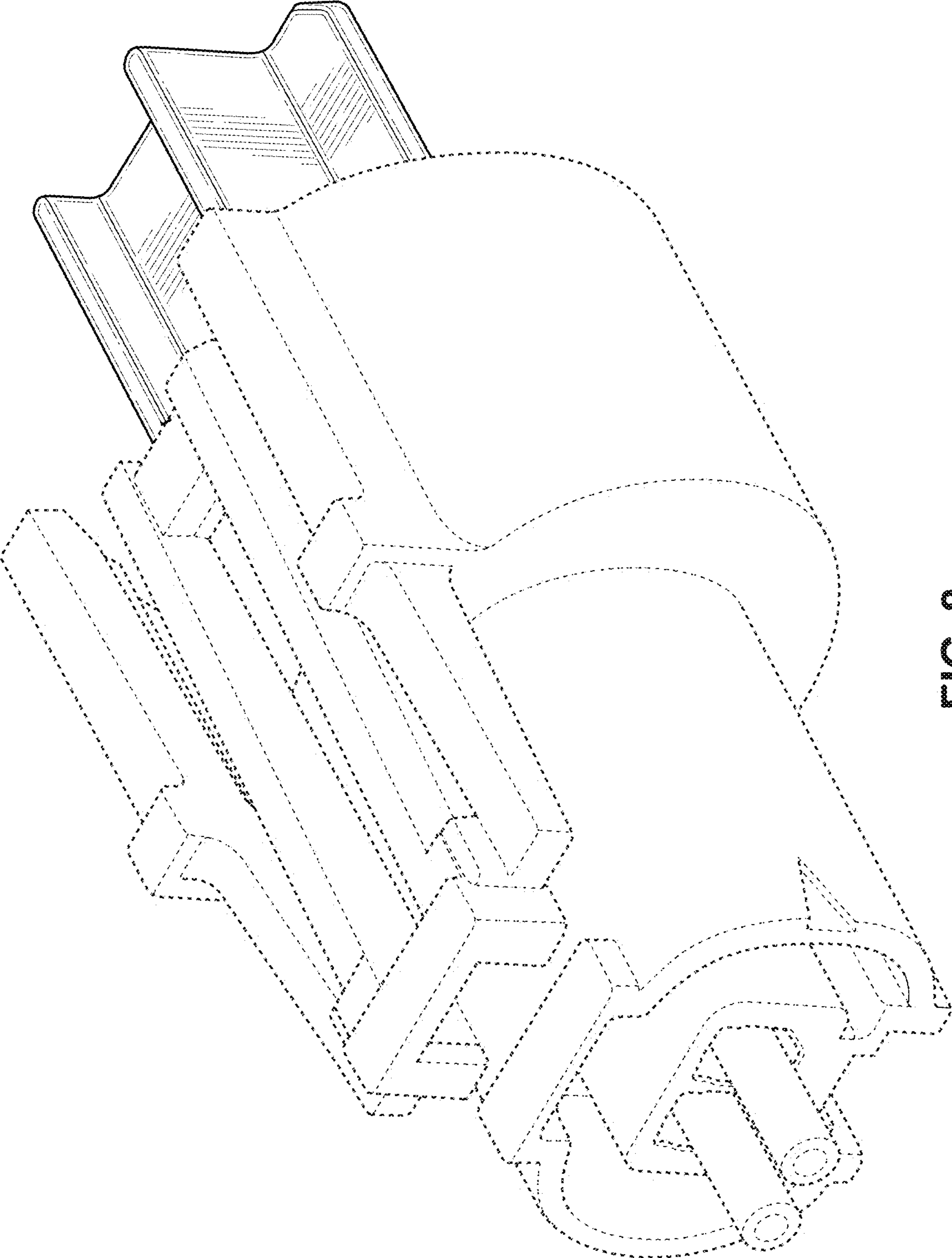


FIG. 8