



US00D981958S

(12) **United States Design Patent**
Nishioka et al.

(10) **Patent No.:** **US D981,958 S**
(45) **Date of Patent:** **** Mar. 28, 2023**

- (54) **COIL FOR POWER TRANSFORMER**
- (71) Applicant: **Fukushima SiC Applied Engineering Inc.**, Fukushima (JP)
- (72) Inventors: **Kei Nishioka**, Fukushima (JP); **Yoshimi Nishimura**, Fukushima (JP); **Takashi Nakamura**, Fukushima (JP)
- (73) Assignee: **Fukushima SiC Applied Engineering Inc.**, Fukushima (JP)
- (**) Term: **15 Years**
- (21) Appl. No.: **29/780,307**
- (22) Filed: **Apr. 23, 2021**
- (51) **LOC (14) Cl.** **13-02**
- (52) **U.S. Cl.**
USPC **D13/117**
- (58) **Field of Classification Search**
USPC D13/117, 101, 118, 133, 179, 183, 199;
D15/5, 199
CPC H01F 27/04; H01F 27/24; H01F 27/26;
H01F 27/28; H01F 27/29; H01F 27/30;
H01F 27/34; H01F 27/006; H01F 27/292;
H01F 27/325; H01F 38/08; H01F 17/04;
H01F 17/045; H01F 37/00; H01F 5/02;
H02M 3/28; H03H 7/427; G01R 1/04
See application file for complete search history.

- 7,598,837 B2 * 10/2009 Gilmartin H01F 27/29
336/192
- D640,198 S * 6/2011 Wu D13/122
- D669,031 S * 10/2012 Wagatsuma D13/117
- 10,692,639 B2 * 6/2020 Jerez H01F 41/076
- 2015/0244203 A1 * 8/2015 Kurz H02J 50/12
320/108
- 2016/0225514 A1 * 8/2016 Cheng H01F 27/2866

* cited by examiner

Primary Examiner — Derrick E Holland

(74) *Attorney, Agent, or Firm* — Studebaker & Brackett PC

(57) **CLAIM**

The ornamental design for a coil for power transformer, as shown and described.

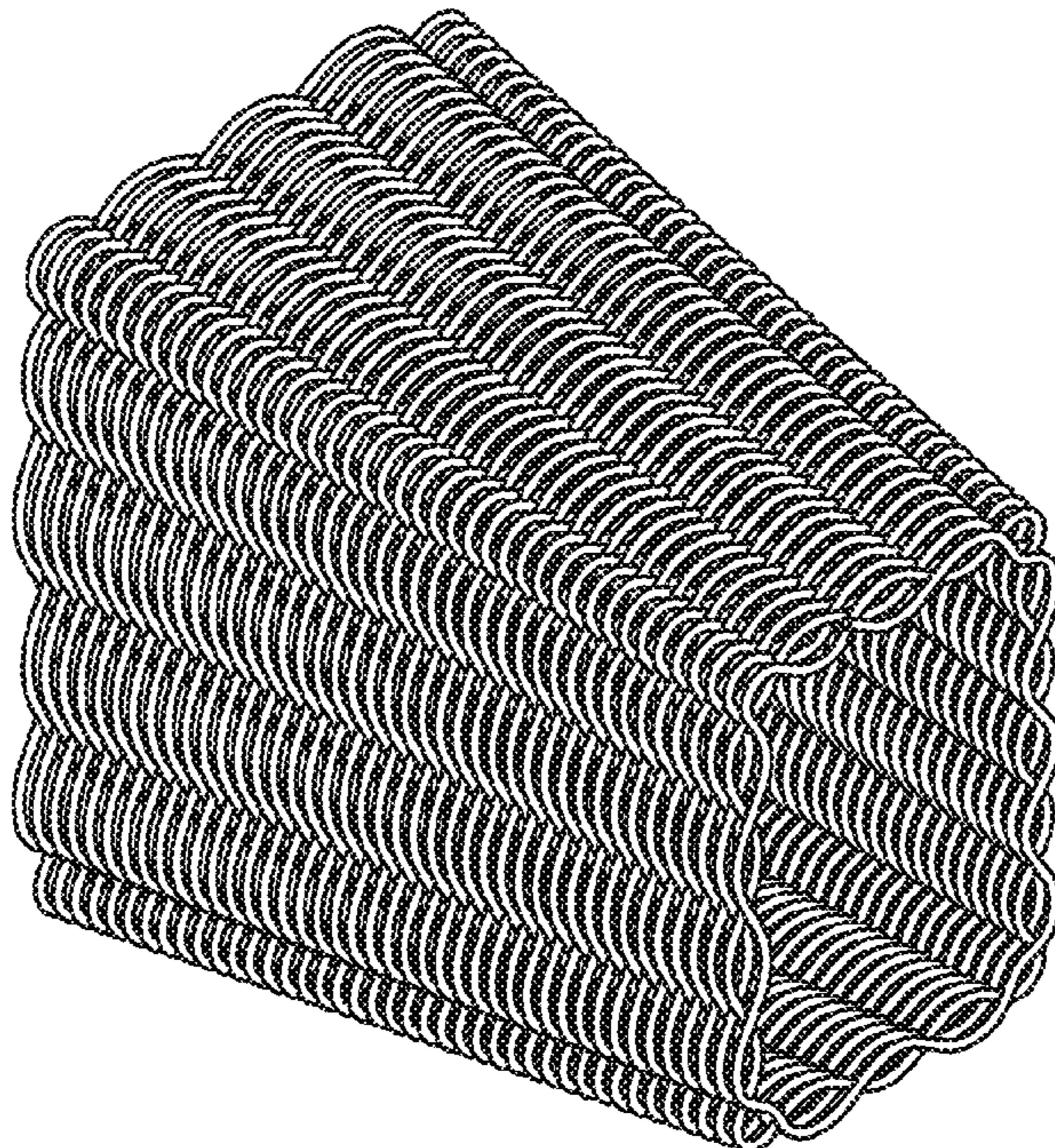
DESCRIPTION

FIG. 1 is a front, top, and right side perspective view of a coil for power transformer showing our new design;
 FIG. 2 is a back, top, left and side perspective view thereof;
 FIG. 3 is a front view thereof;
 FIG. 4 is a back view thereof;
 FIG. 5 is a left view thereof;
 FIG. 6 is a right view thereof;
 FIG. 7 is a top view thereof;
 FIG. 8 is a bottom view thereof;
 FIG. 9 is a cross-sectional view taken along line 9-9 in FIG. 5;
 FIG. 10 is a cross-sectional view taken along line 10-10 and 10'-10' in FIG. 1; and
 FIG. 11 is a perspective view shown in environmental use. The broken lines shown represent environmental subject matter and form no part of the claimed design.

(56) **References Cited**
 U.S. PATENT DOCUMENTS

- D454,839 S * 3/2002 Hoglund D13/118
- D565,508 S * 4/2008 Ogawa D13/117
- 7,471,179 B2 * 12/2008 Hatakeyama H01F 27/292
336/192

1 Claim, 6 Drawing Sheets



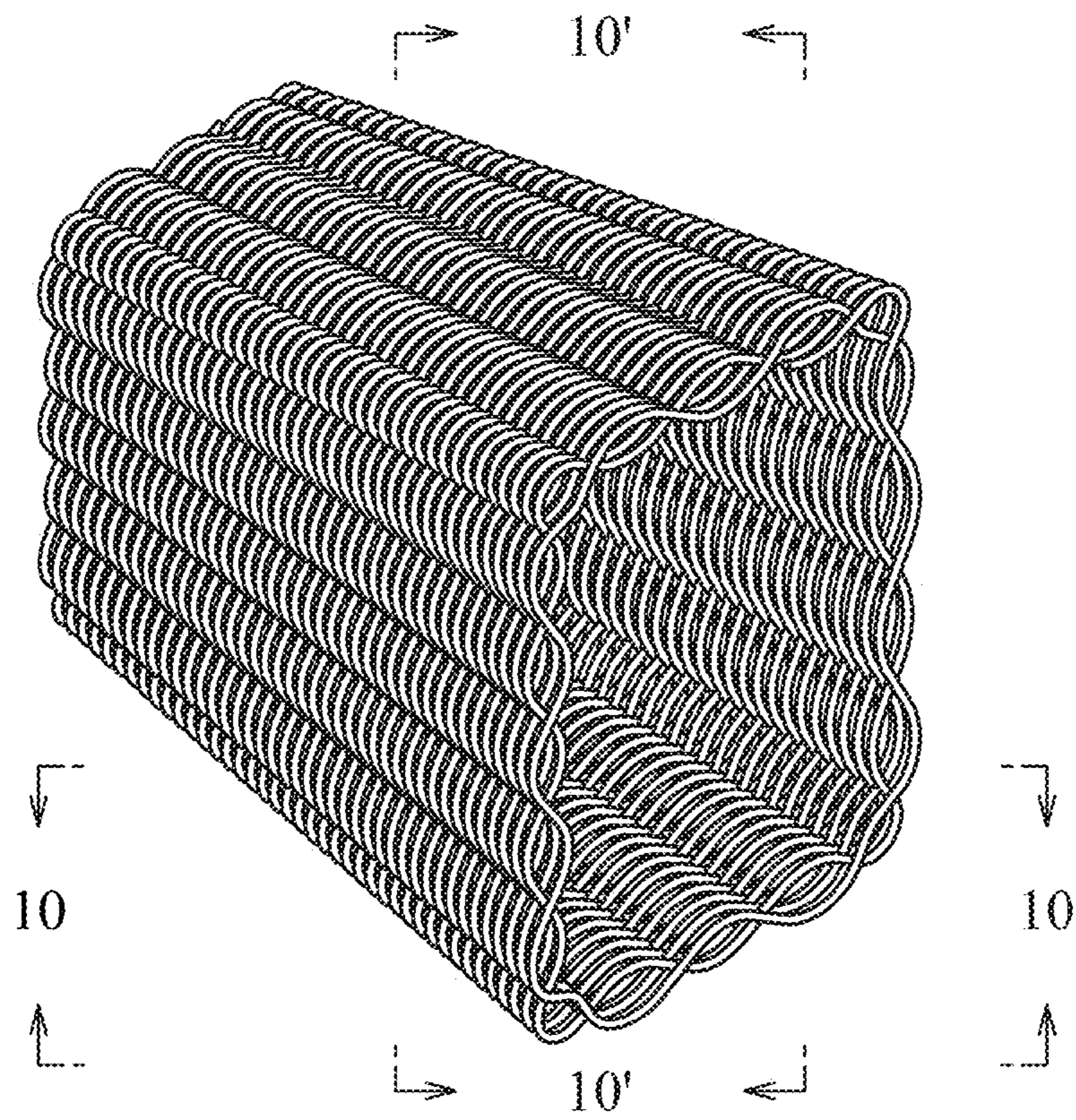


FIG. 1

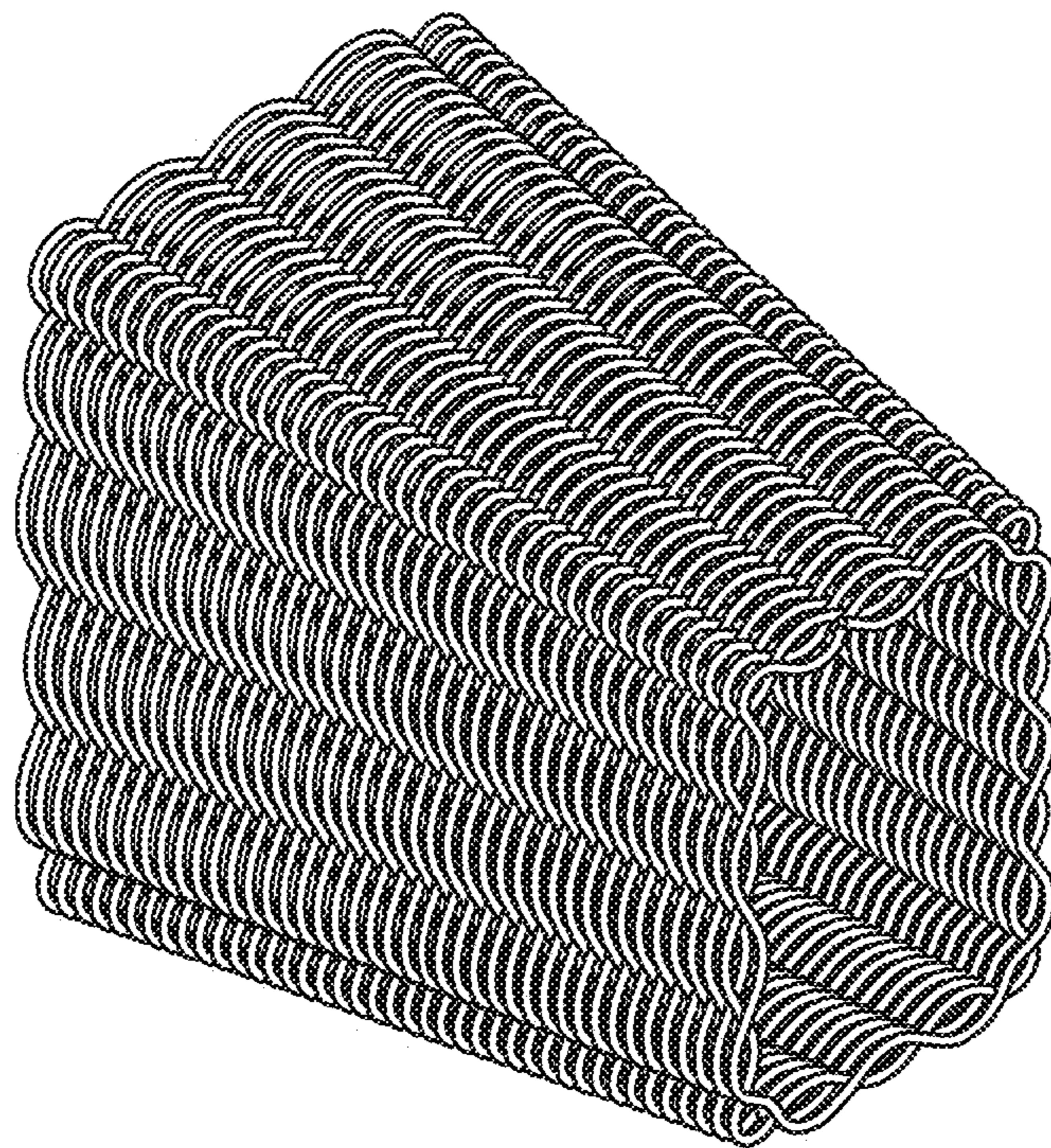


FIG. 2

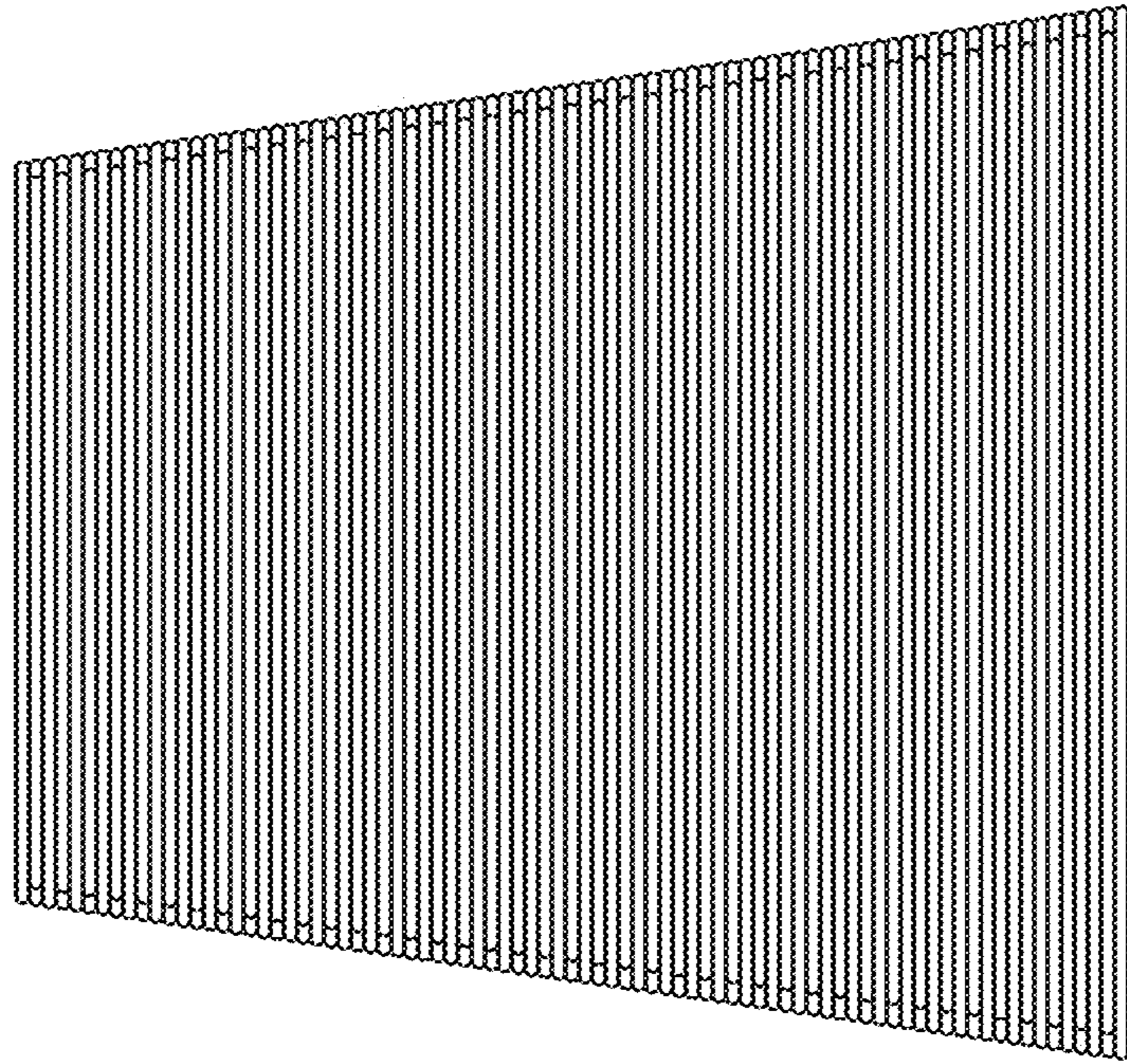


FIG. 3

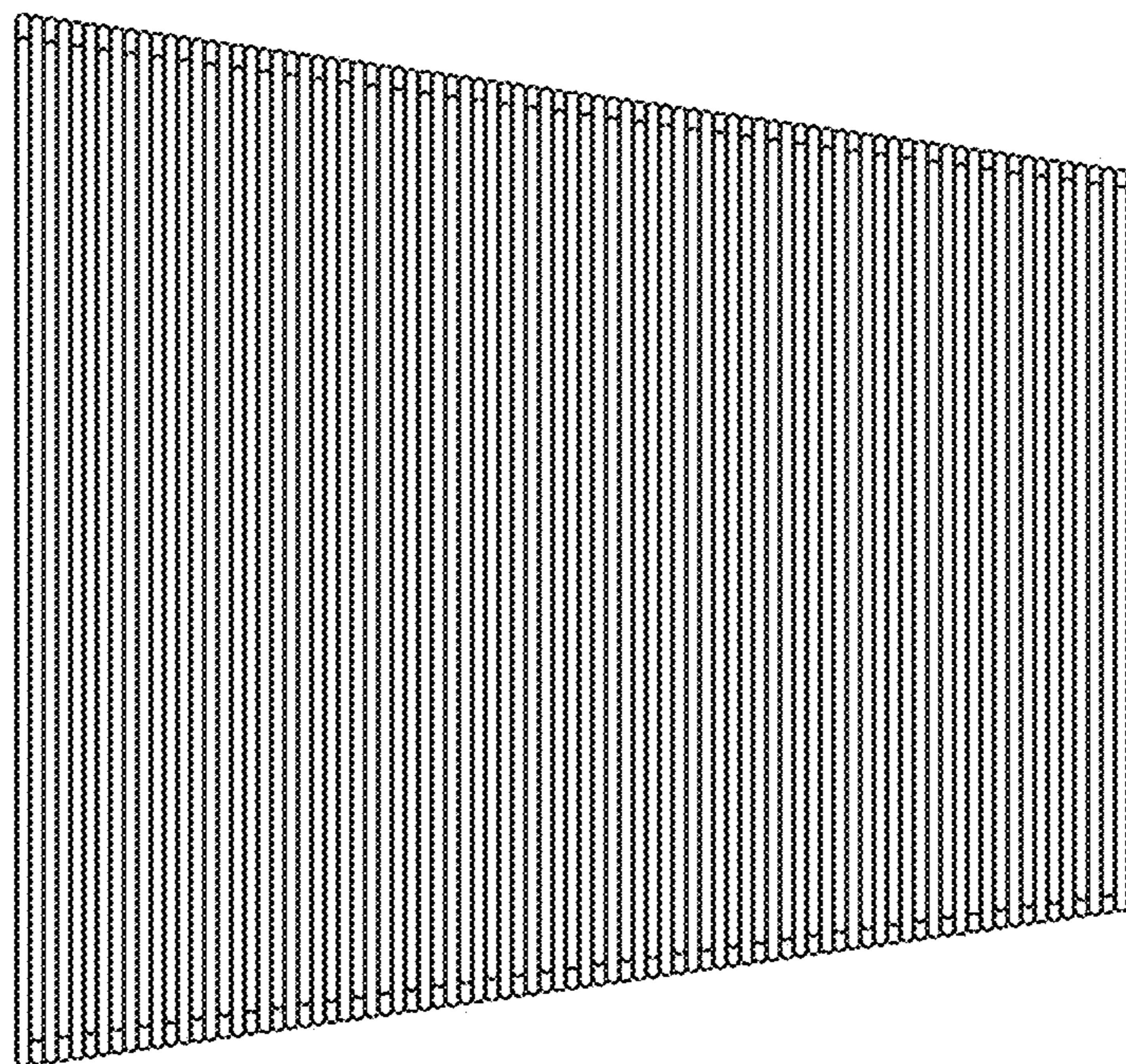


FIG. 4

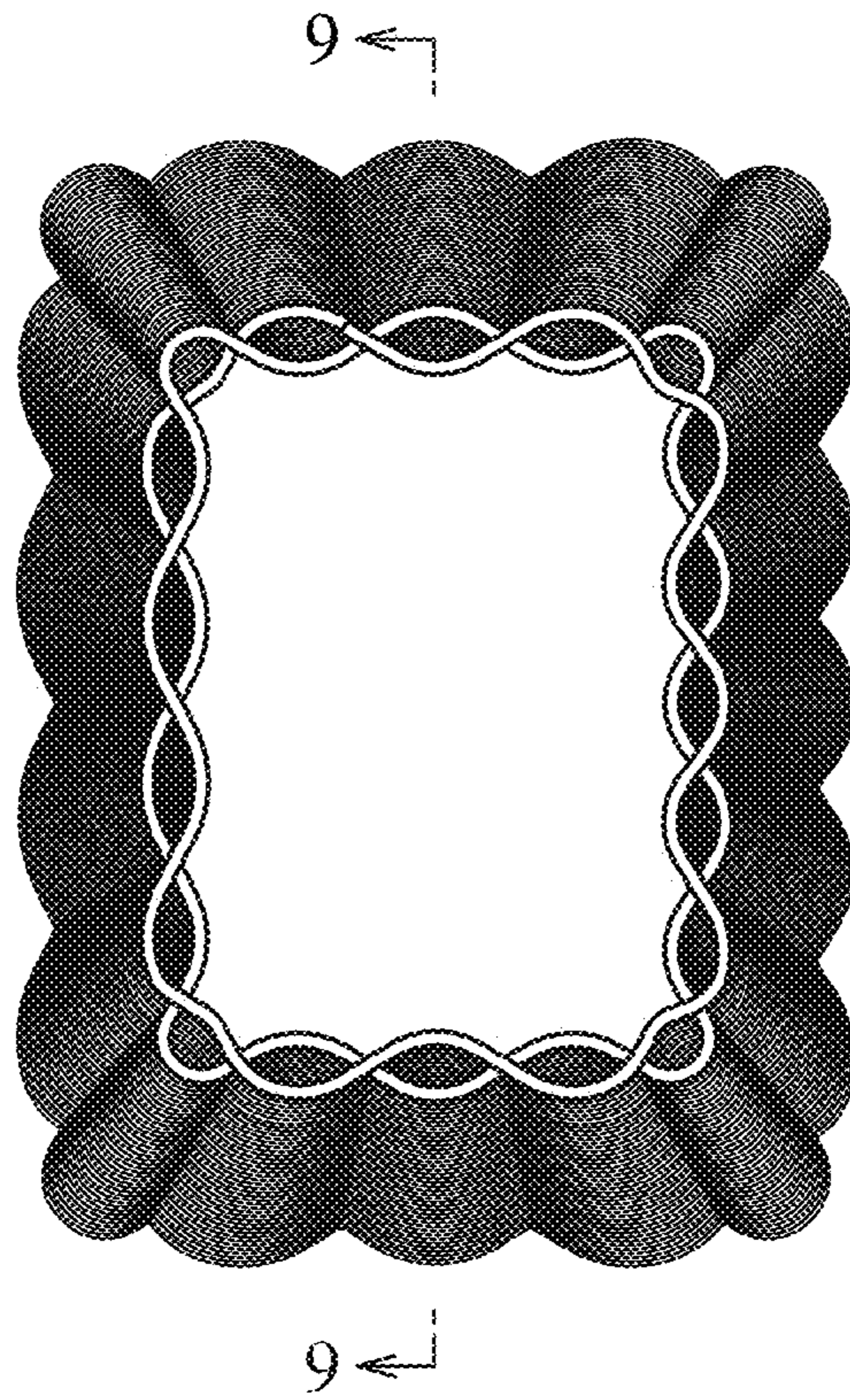


FIG. 5

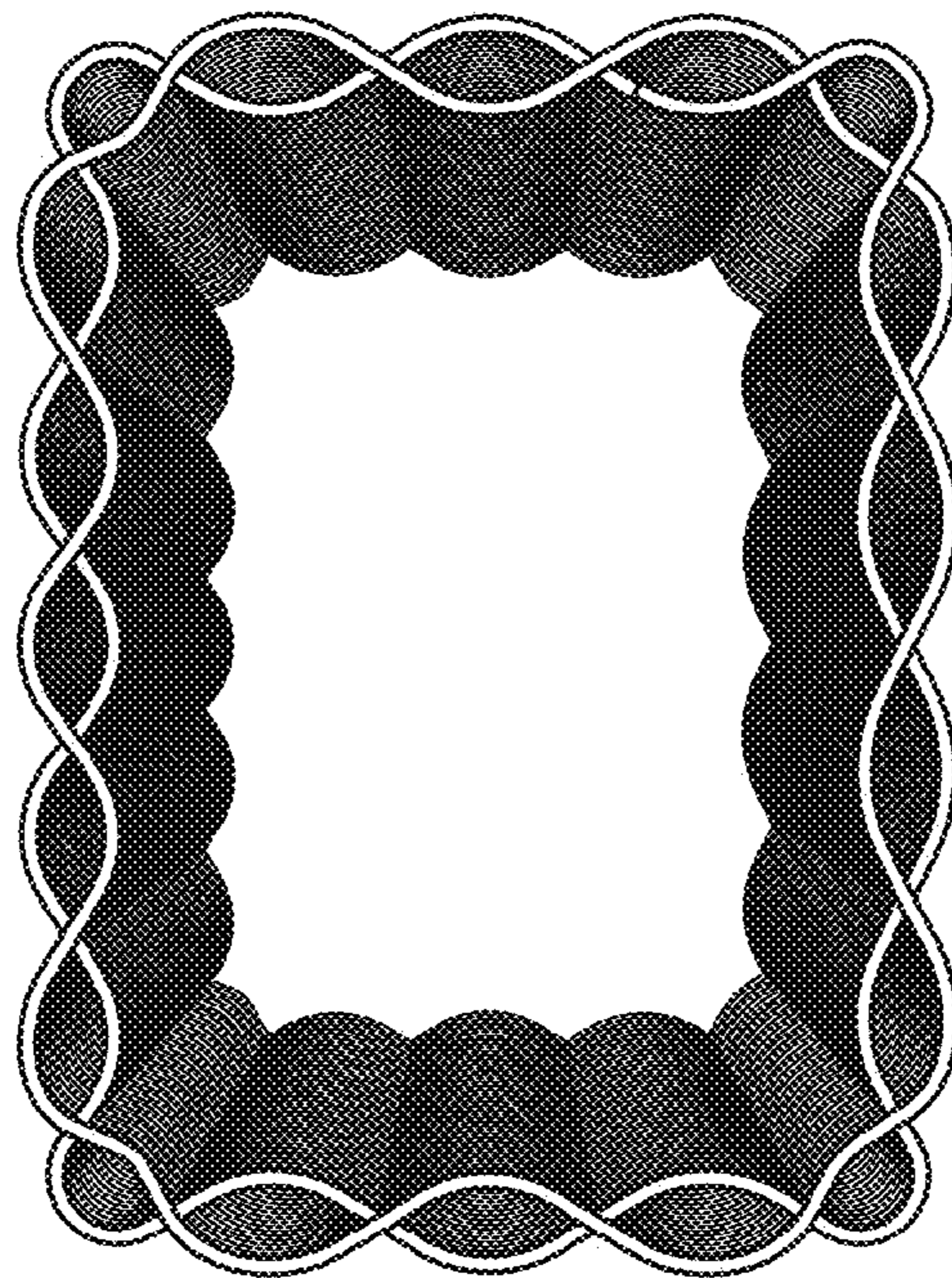


FIG. 6

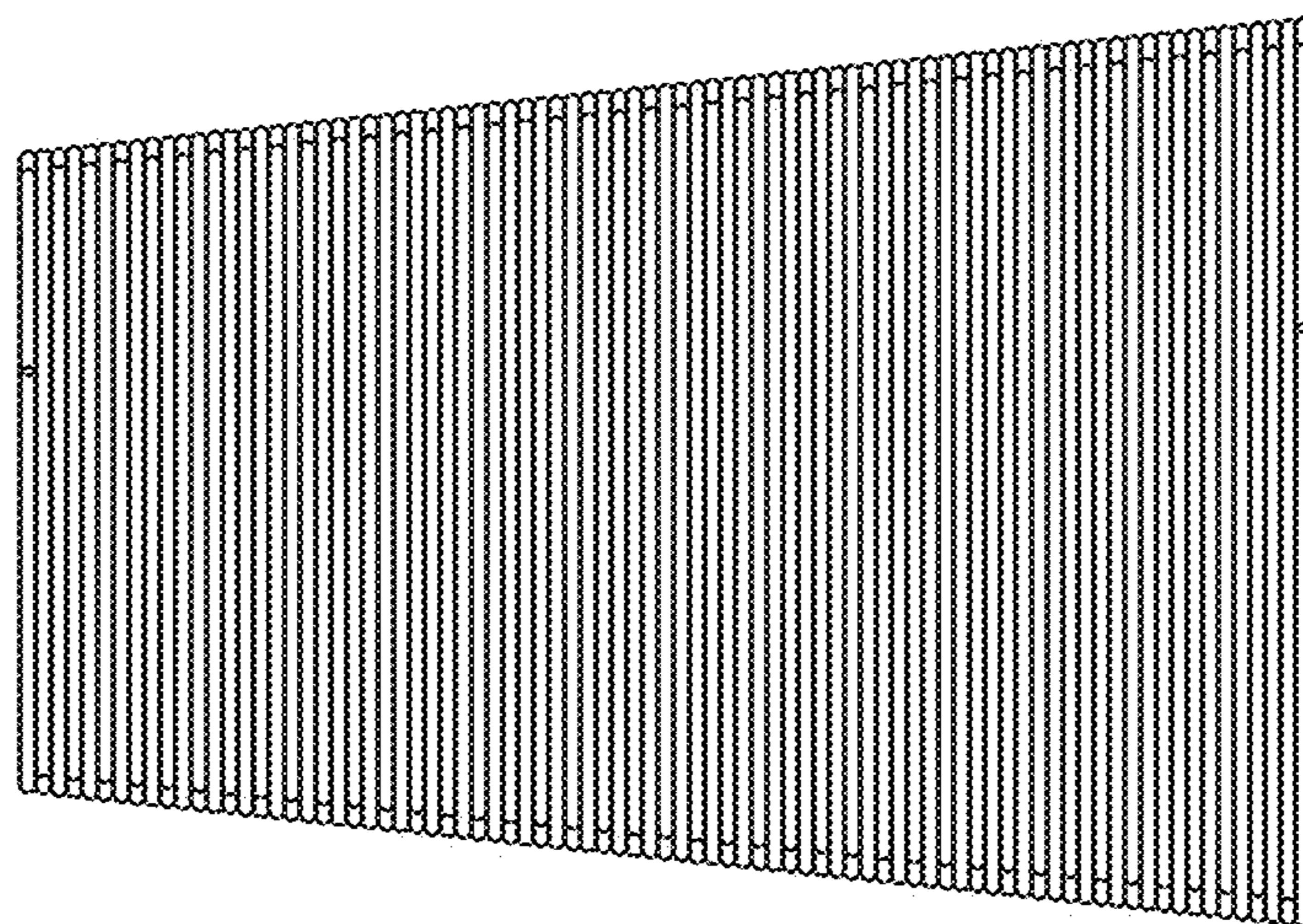


FIG. 7

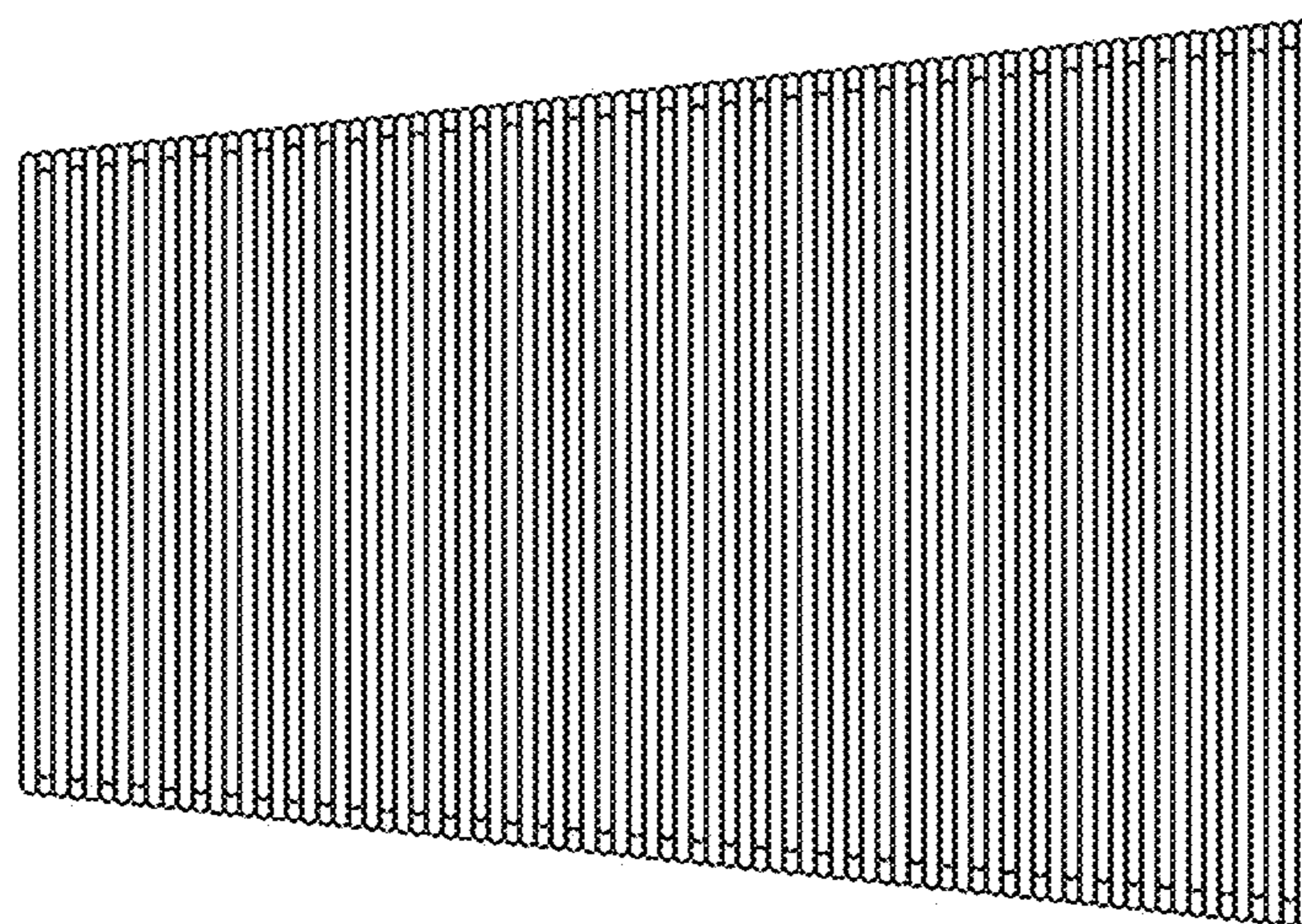


FIG. 8

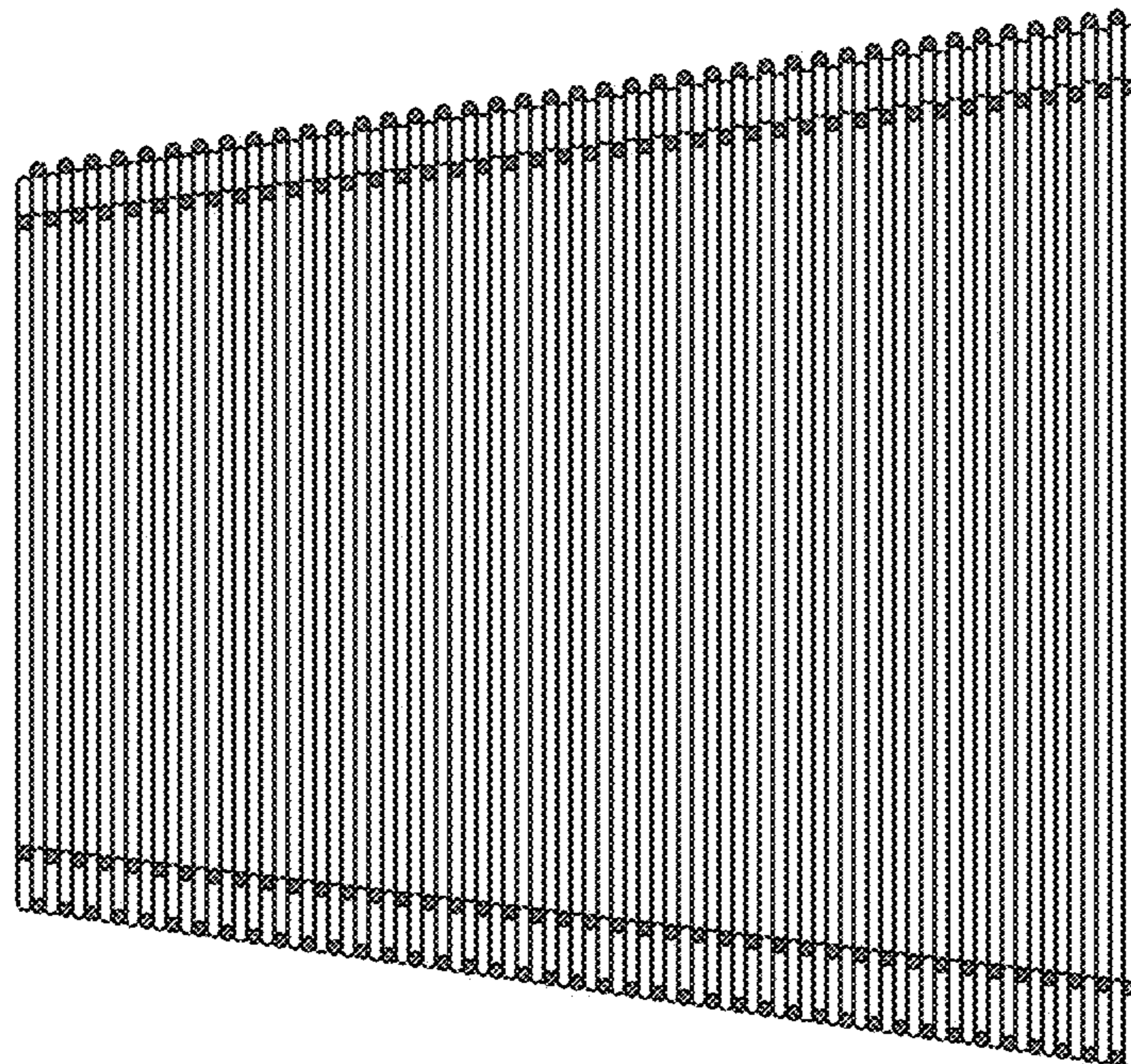


FIG. 9

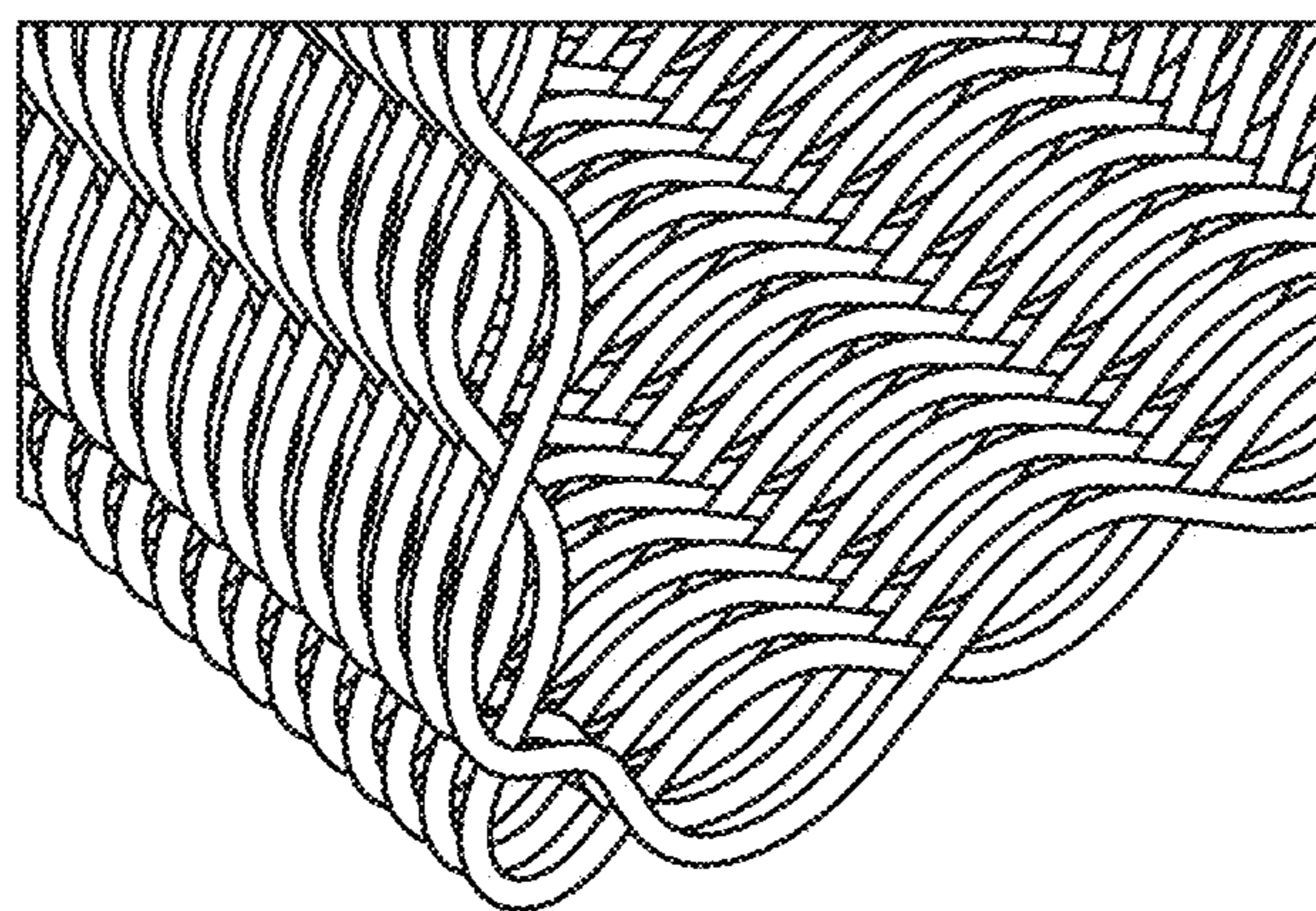


FIG. 10

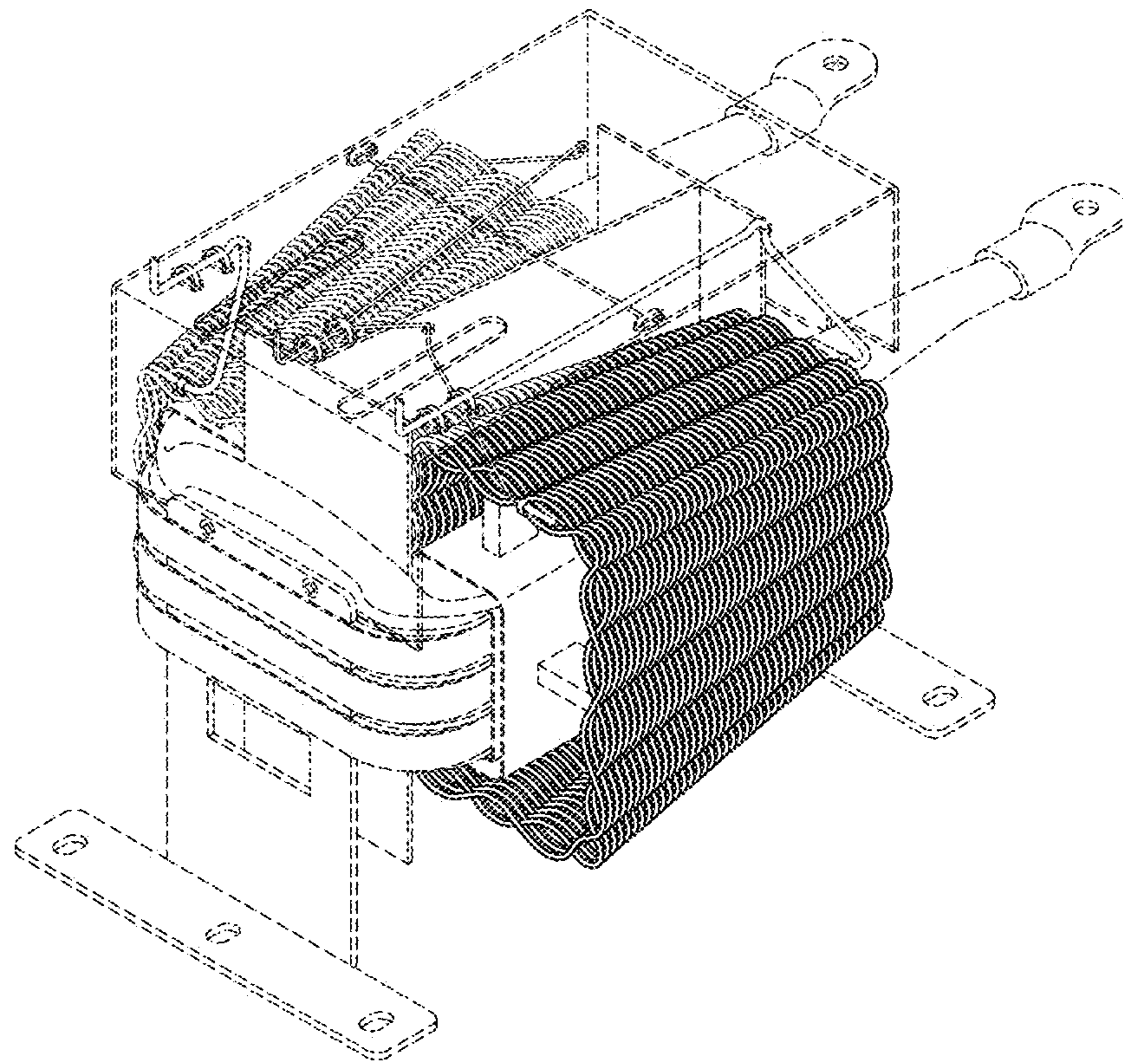


FIG. 11