



US00D981956S

(12) **United States Design Patent**  
**Deng**

(10) **Patent No.:** **US D981,956 S**  
(45) **Date of Patent:** **\*\* Mar. 28, 2023**

(54) **CHARGING CASE FOR WIRELESS  
EARPHONES**

(71) Applicant: **GUANGDONG XIZHONGXI  
TECHNOLOGY CO., LTD.**,  
Dongguan (CN)

(72) Inventor: **Xiuhong Deng**, Shaoyang (CN)

(73) Assignee: **GUANGDONG XIZHONGXI  
TECHNOLOGY CO., LTD.**,  
Dongguan (CN)

(\*\*) Term: **15 Years**

(21) Appl. No.: **29/795,708**

(22) Filed: **Jun. 21, 2021**

(51) **LOC (14) Cl.** ..... **13-02**

(52) **U.S. Cl.**  
USPC ..... **D13/108**

(58) **Field of Classification Search**  
USPC ..... D3/201, 208, 212, 218, 273, 274, 294,  
D3/302; D13/101, 107, 108, 110, 118,  
D13/119, 123, 184, 199; D14/223  
CPC ..... A45C 2011/001; A45C 13/002; H04R  
1/1025; H04R 1/02  
See application file for complete search history.

(56) **References Cited**

**U.S. PATENT DOCUMENTS**

D873,217 S *	1/2020	Zhang	.....	D3/294
D886,454 S *	6/2020	Williamson	.....	D3/294
D918,138 S *	5/2021	Ma	.....	D3/294
D955,251 S *	6/2022	Paterson	.....	D10/104.2
D958,534 S *	7/2022	MacDonald	.....	D3/295
D965,973 S *	10/2022	Sun	.....	D3/274
2019/0069066 A1 *	2/2019	Song	.....	E05C 19/16
2022/0209585 A1 *	6/2022	Chen	.....	H02J 50/005

**OTHER PUBLICATIONS**

Supfine Wireless Earbuds, dated May 18, 2022, [online], [site visited Dec. 20, 2022]. Available from Internet, URL: <https://www.amazon.com/Bluetooth-Waterproof-AI-Enhanced-Cancelling-Earphones/dp/B0B1MKWDVT> (Year: 2022).\*

Lansento Wireless Earbuds, dated Jul. 21, 2021, [online], [site visited Dec. 20, 2022]. Available from Internet, URL: <https://www.amazon.com/Lanteso-S21-Bluetooth-Cancelling-Headphones/dp/B099ZHN61B> (Year: 2021).\*

Oox Wireless Earbuds, dated Sep. 17, 2020, [online], [site visited Dec. 21, 2022]. Available from Internet, URL: <https://www.amazon.com/Wireless-Bluetooth-Cancelling-Headphones-Waterproof/dp/B08JCQ8F8F> (Year: 2020).\*

JUND Wireless Earbuds, date unknown, [online], [site visited Dec. 22, 2022]. Available from Internet, URL: <https://www.walmart.com/ip/JUND-Wireless-Earbuds-Waterproof-Mini-Bluetooth-Earbuds-4-Mics-Clear-Calling-TWS-Headphones-Bass-Sound-Earphones-Home-Work-Black/1026706875> (Year: 2022).\*

\* cited by examiner

*Primary Examiner* — Shawn T Gingrich  
*Assistant Examiner* — Caleb M Baker

(57) **CLAIM**

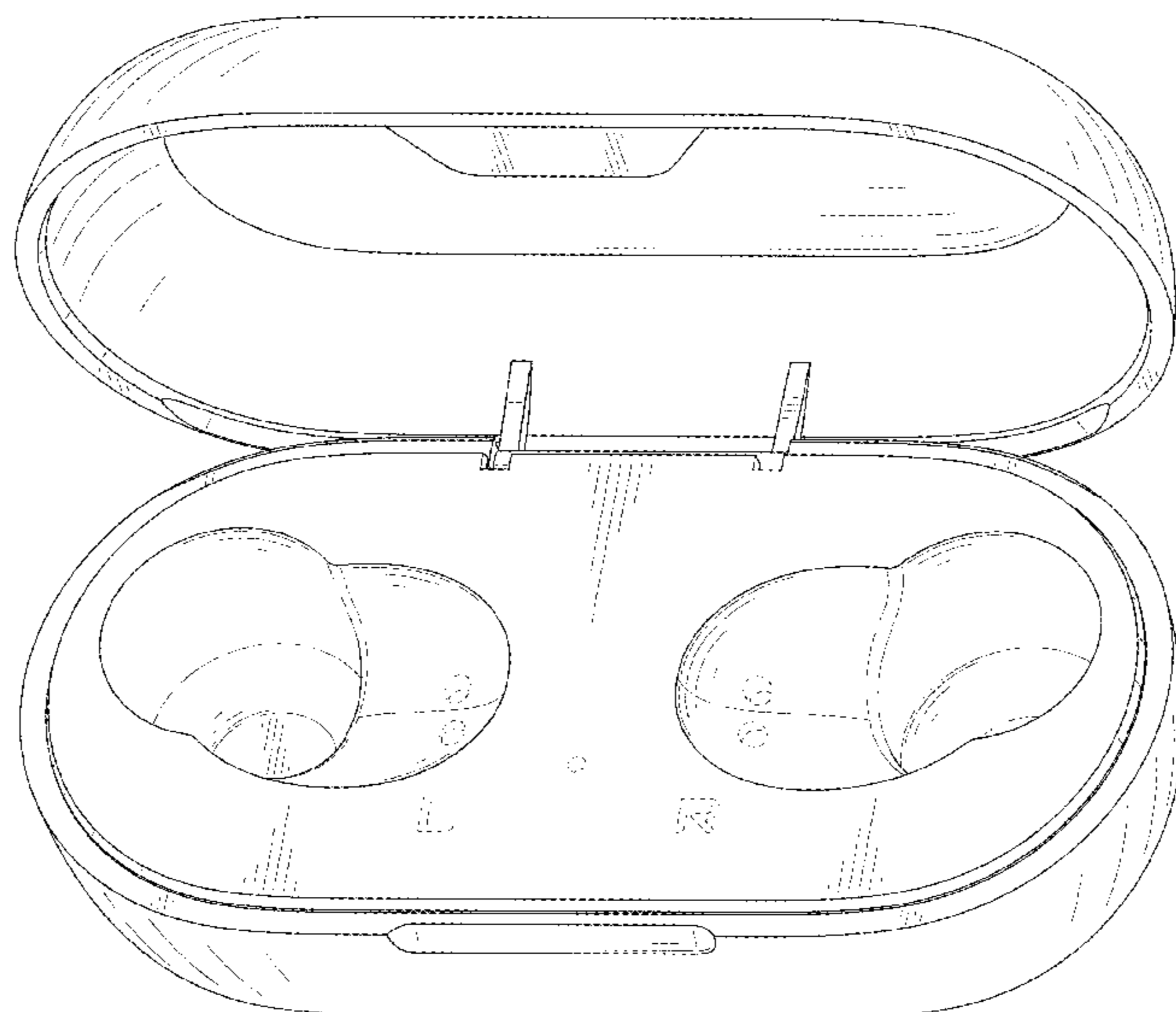
The ornamental design for a charging case for wireless earphones, as shown and described.

**DESCRIPTION**

FIG. 1 is a perspective view of a charging case for wireless earphones showing my new design; FIG. 2 is another perspective view thereof; FIG. 3 is a front elevational view thereof; FIG. 4 is a rear elevational view thereof; FIG. 5 is a left side elevational view thereof; FIG. 6 is a right side elevational view thereof; FIG. 7 is a top plan view thereof; FIG. 8 is a bottom plan view thereof; and, FIG. 9 is a perspective view of the charging case for wireless earphones where the charging case for wireless earphones is in a closed state.

The broken lines in the drawings depict portions of the charging case for wireless earphones that form no part of the claimed design.

**1 Claim, 9 Drawing Sheets**



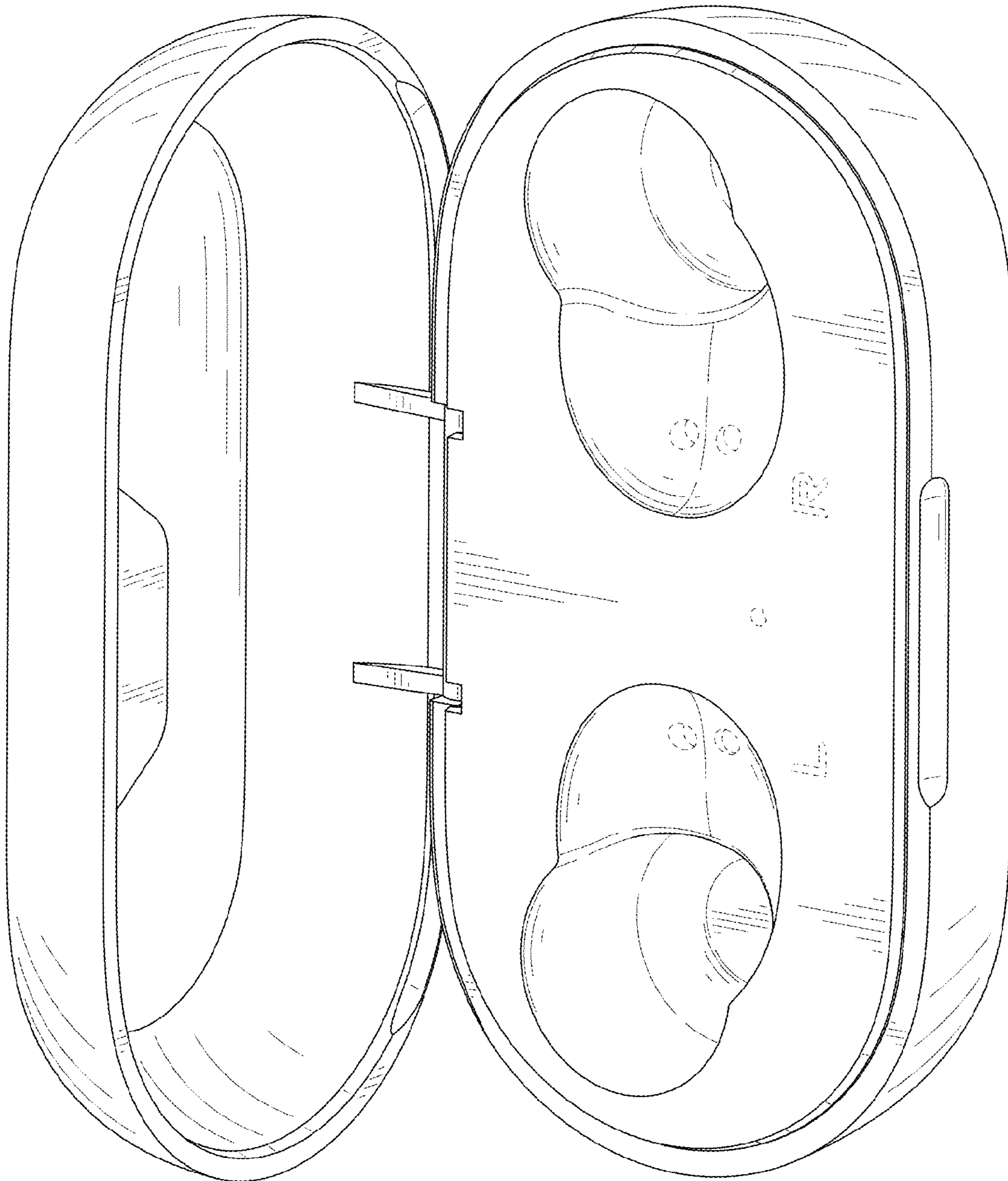


FIG. 1

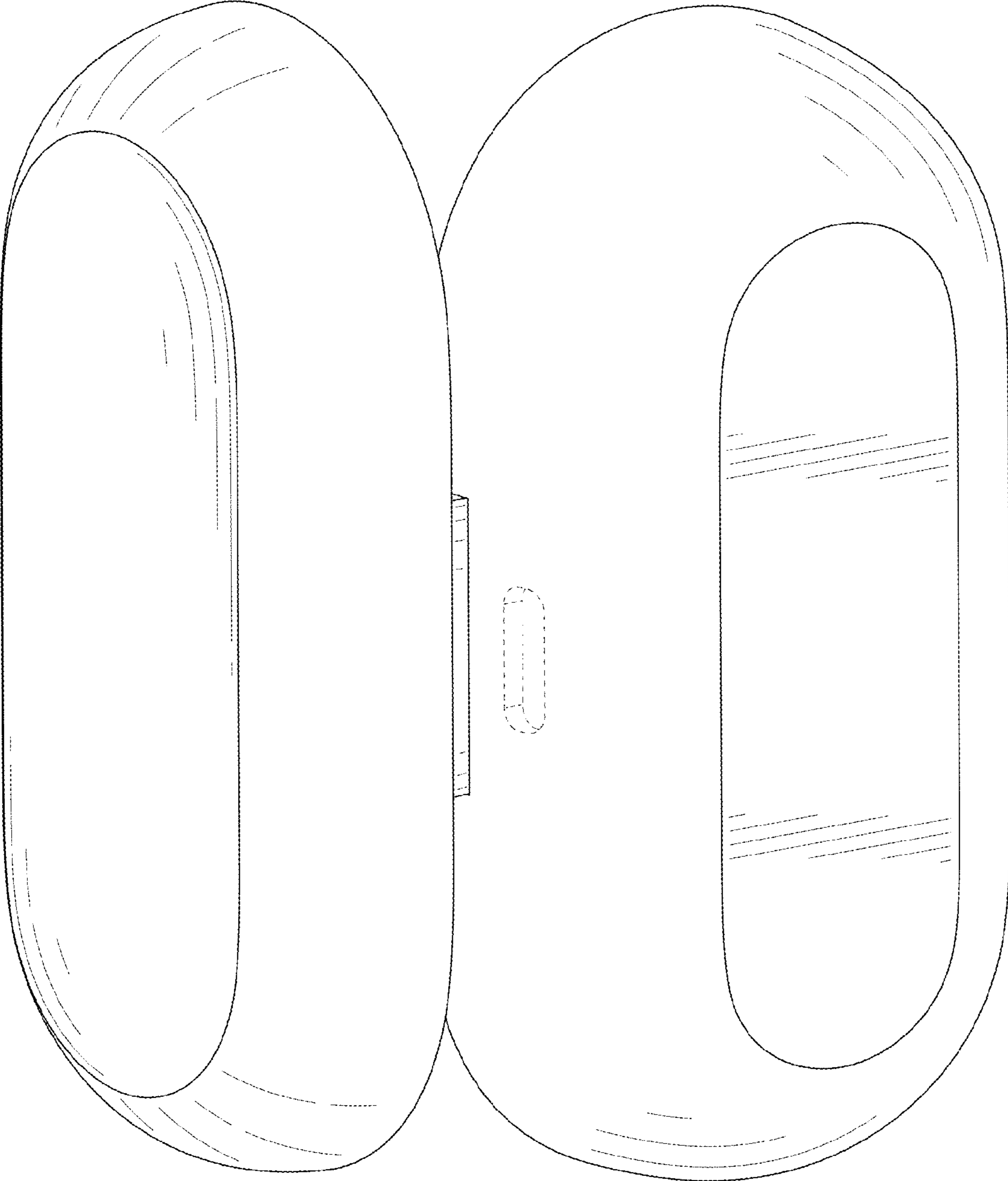


FIG. 2

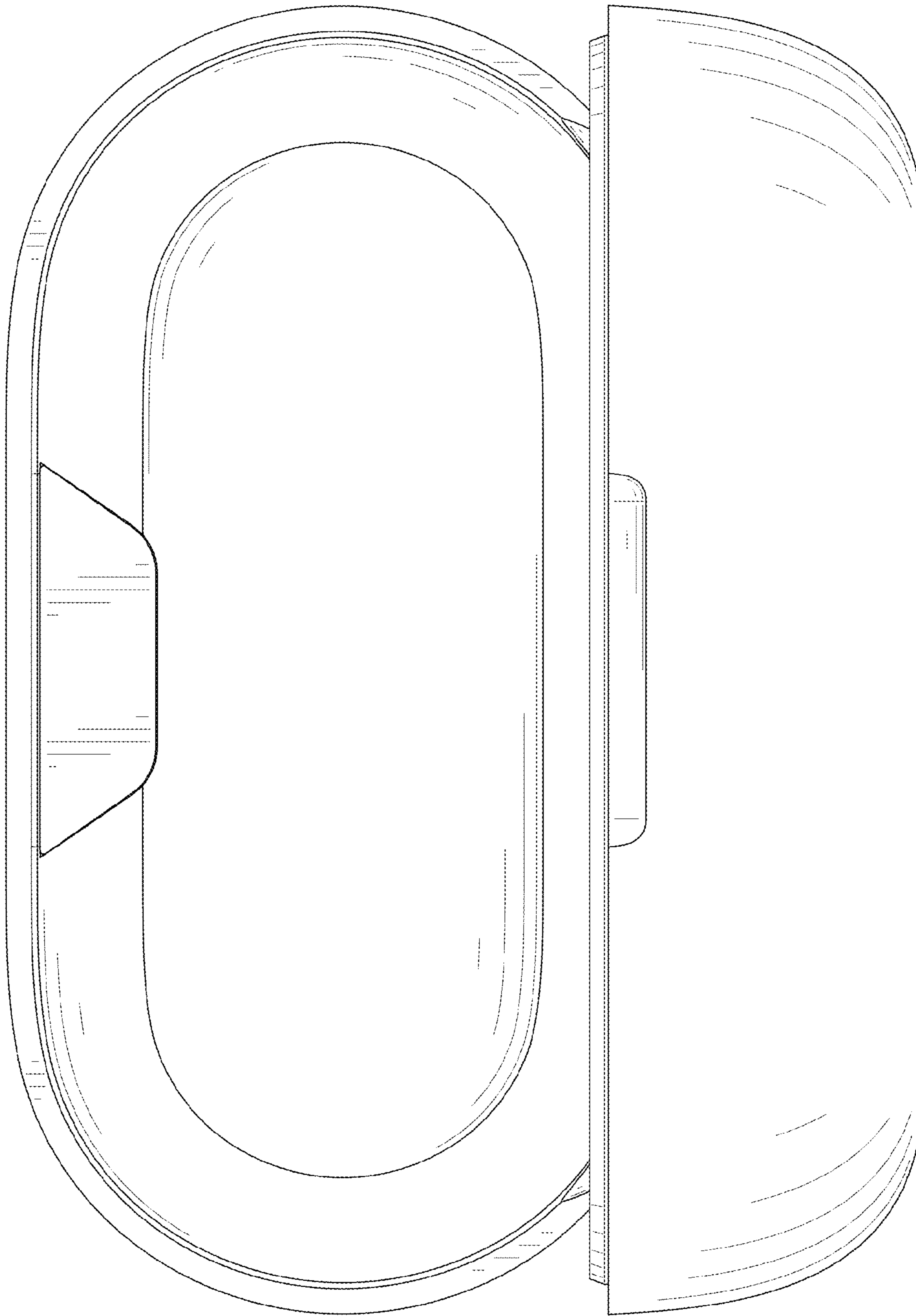


FIG. 3

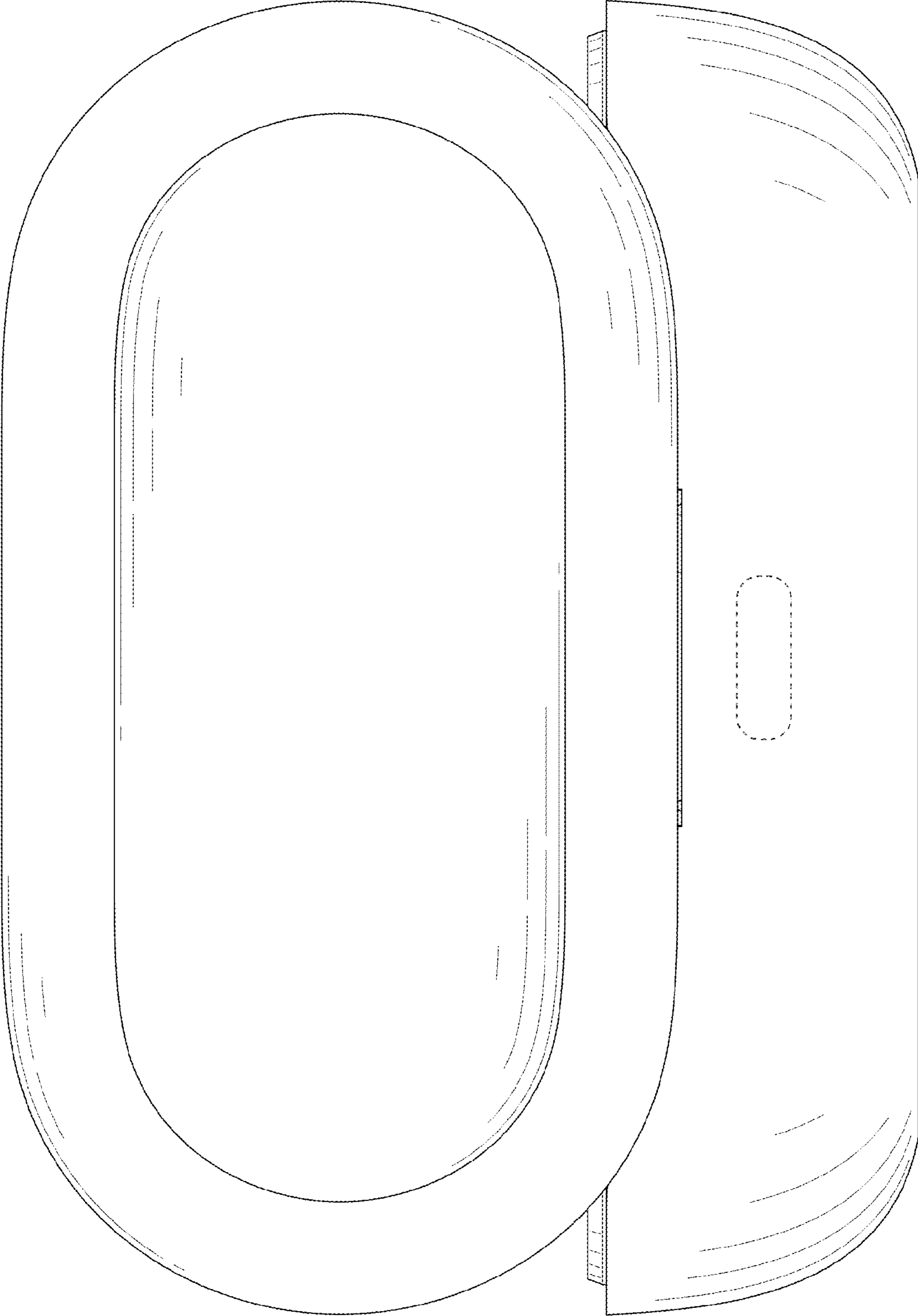


FIG. 4

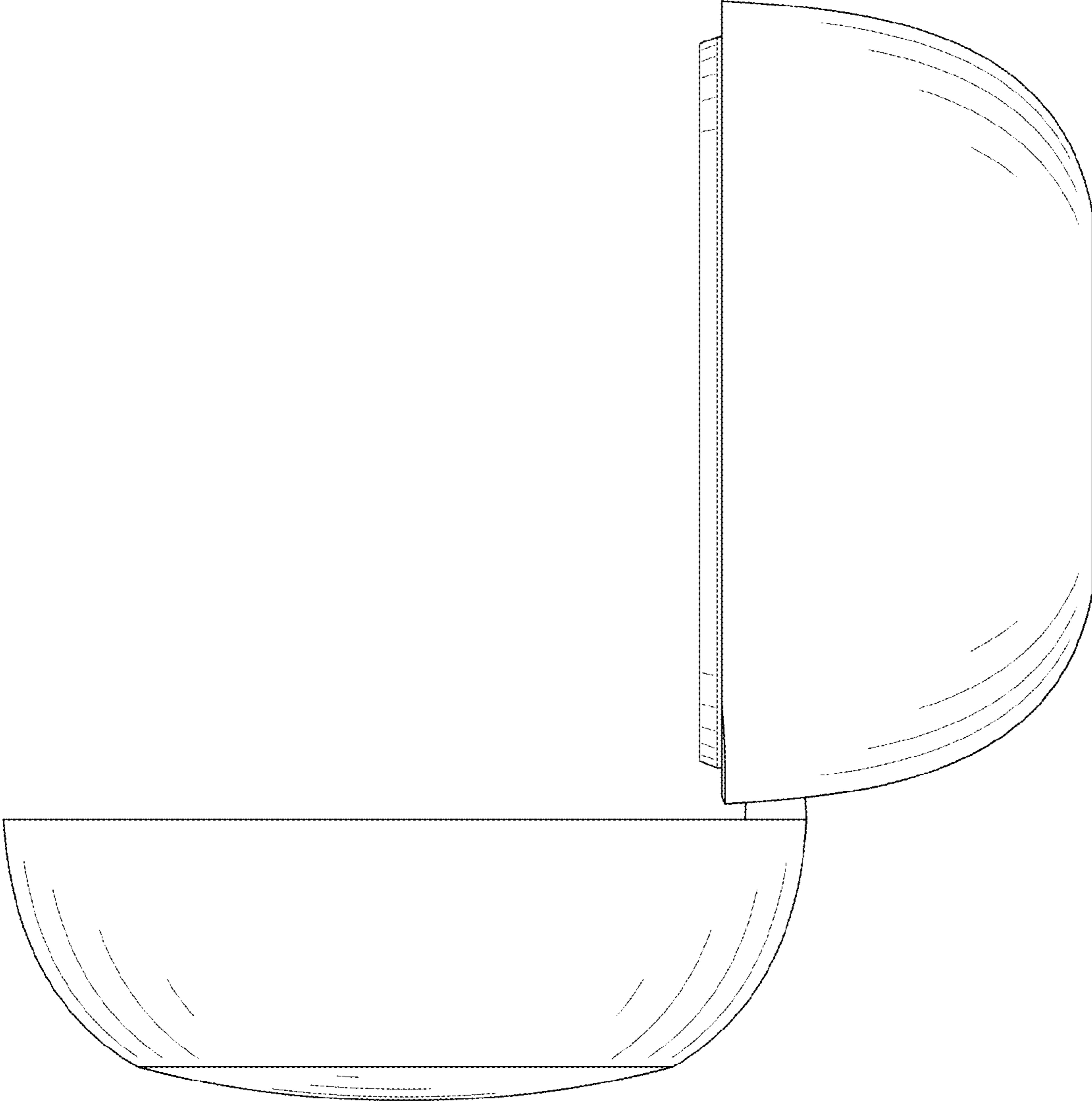


FIG. 5

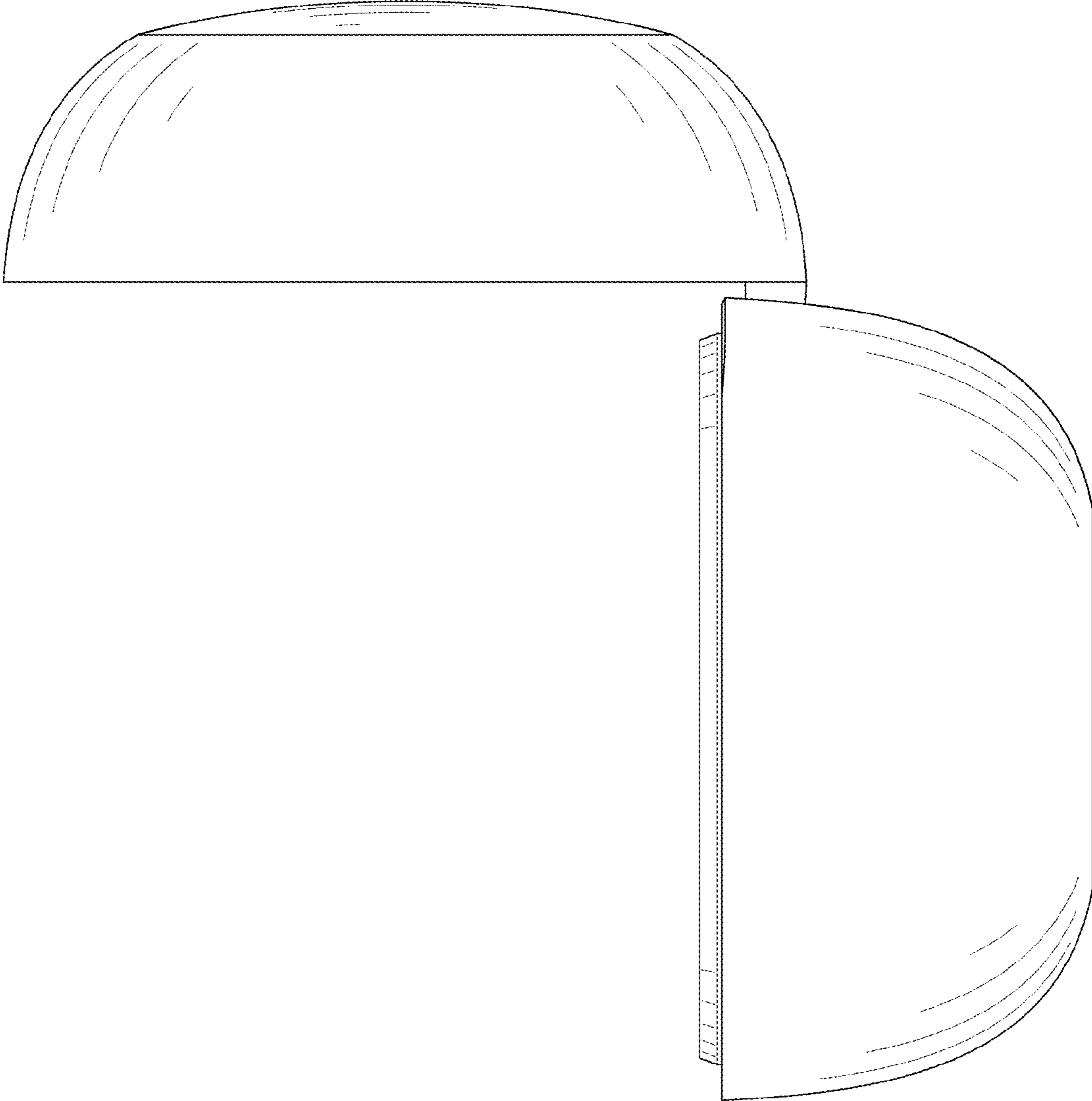


FIG. 6

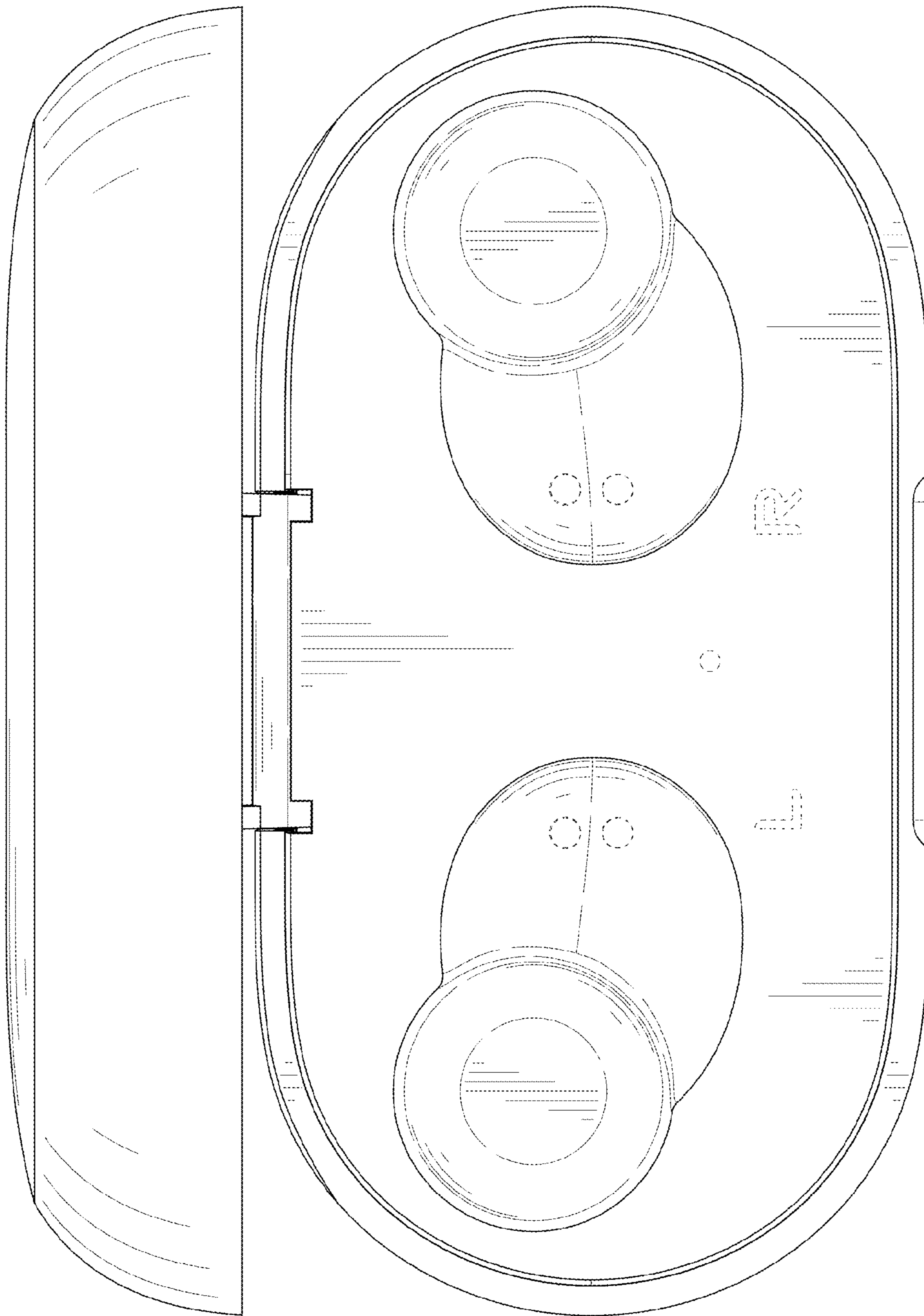


FIG. 7



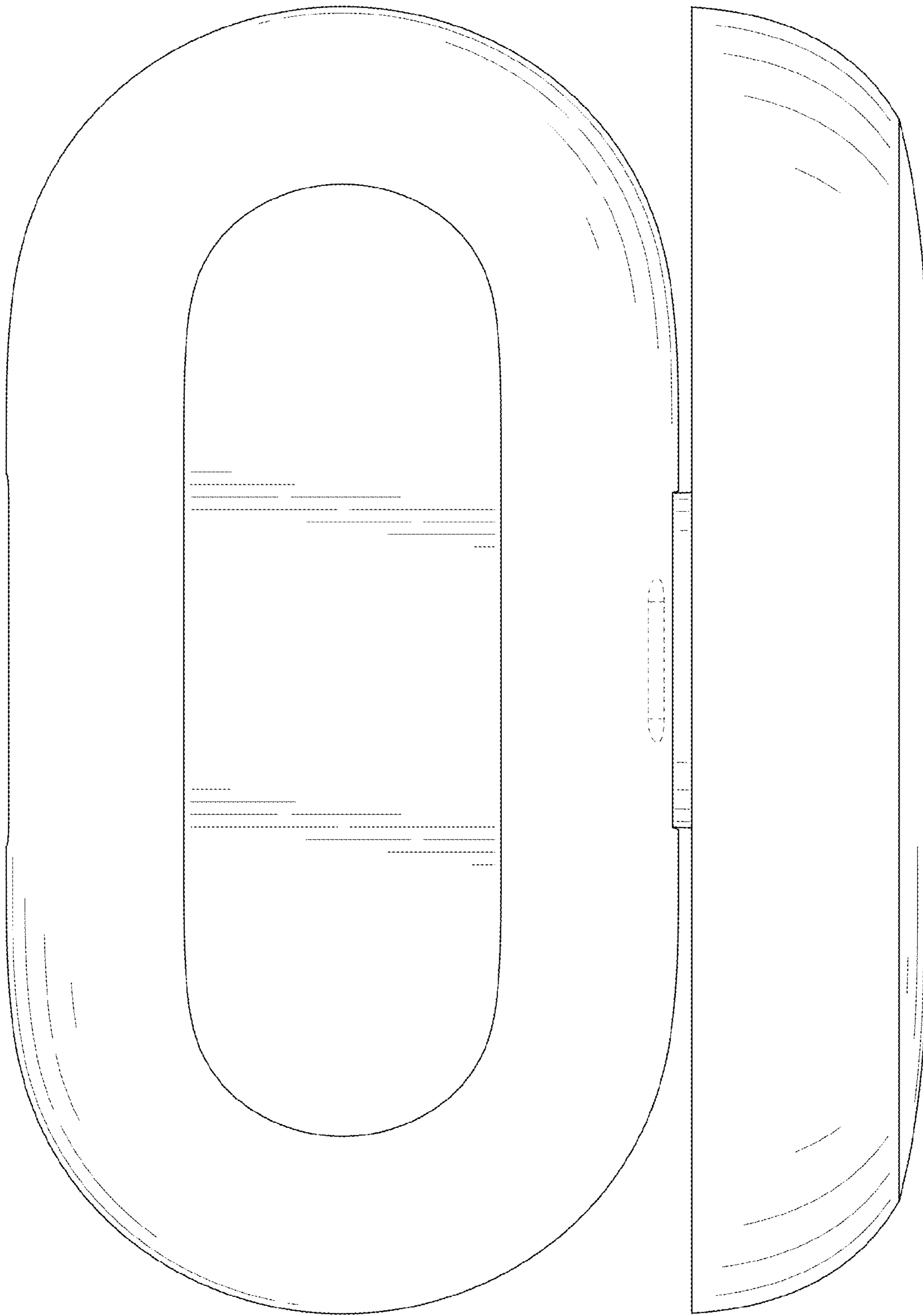


FIG. 8

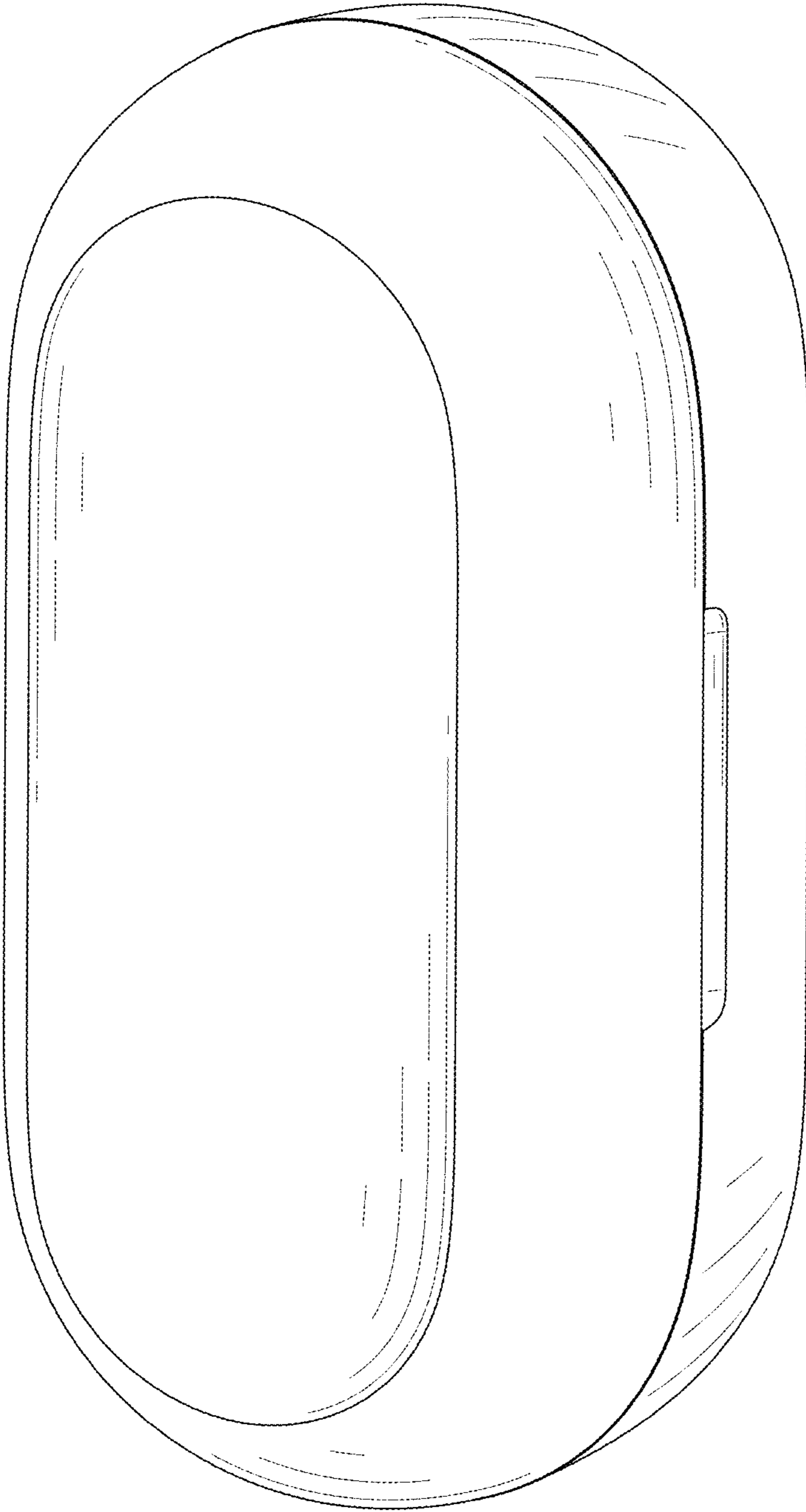


FIG. 9