



US00D981954S

(12) **United States Design Patent**
Ding et al.

(10) **Patent No.:** **US D981,954 S**
(45) **Date of Patent:** **** Mar. 28, 2023**

(54) **LITHIUM-IRON BATTERY**
(71) Applicant: **SUNGROW POWER SUPPLY CO., LTD.**, Anhui (CN)
(72) Inventors: **Xin Ding**, Anhui (CN); **Rui Wang**, Anhui (CN); **Feng Qin**, Anhui (CN); **Erchao Xu**, Anhui (CN)
(73) Assignee: **SUNGROW POWER SUPPLY CO., LTD.**, Anhui (CN)
(**) Term: **15 Years**

D853,955 S * 7/2019 Oliver D13/110
D870,033 S * 12/2019 Varatharajah D13/103
D879,033 S * 3/2020 Yoon D13/103
D907,921 S * 1/2021 Koval D3/905
D911,933 S * 3/2021 Dong D13/104
D949,781 S * 4/2022 Zhao D13/103

(Continued)

(21) Appl. No.: **29/770,153**
(22) Filed: **Feb. 9, 2021**
(30) **Foreign Application Priority Data**
Aug. 26, 2020 (CN) 202030494796.7
(51) **LOC (14) Cl.** **13-03**
(52) **U.S. Cl.**
USPC **D13/107**
(58) **Field of Classification Search**
USPC D13/102, 103, 104, 105, 106, 107, 108, D13/109, 110, 118, 119, 184; D14/251, D14/253, 432, 434
CPC Y02T 90/14; H02J 7/025; H02J 7/0042; H02J 7/0044; H02J 7/0045; H02J 7/0003; H02J 7/0034; H02J 7/1423; H01F 38/14; H01R 13/6675; H01M 10/44; H01M 10/46; H01M 10/425
See application file for complete search history.

OTHER PUBLICATIONS

Battery Module. (Design—© Questel) orbit.com. [Online PDF compilation of references] 47 pgs. Print Dates Range Mar. 30, 2022-Mar. 2, 2022 [Retrieved Jun. 23, 2022].*

(Continued)

Primary Examiner — George D. Kirschbaum
Assistant Examiner — Suzanne E Tisdell
(74) *Attorney, Agent, or Firm* — Harness, Dickey & Pierce, P.L.C.

(57) **CLAIM**

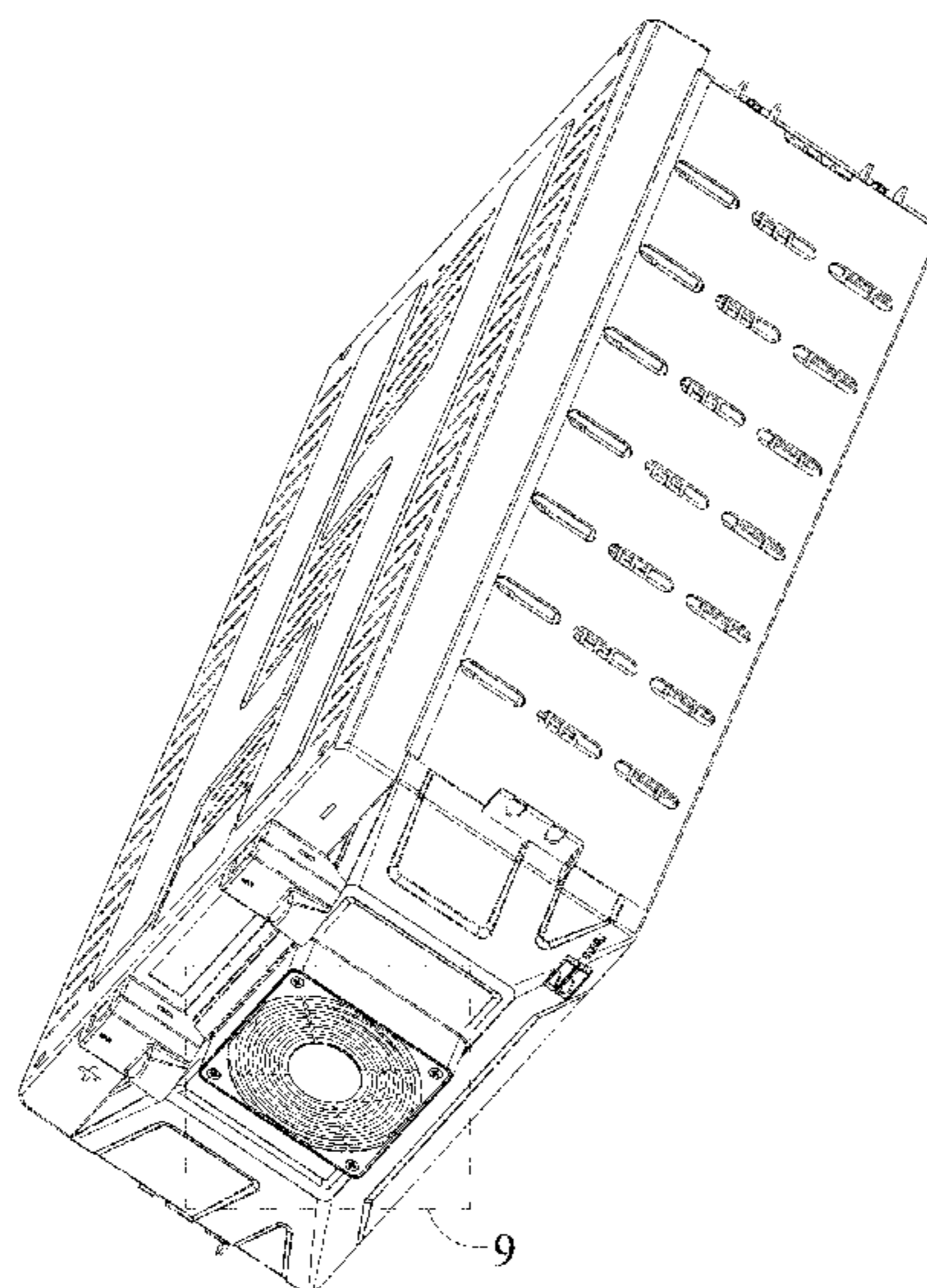
The ornamental design for a lithium-iron battery, as shown and described.

DESCRIPTION

FIG. 1 is a bottom, front, right side perspective view of a lithium-iron battery according to the present application, showing our new design;
FIG. 2 is a front elevational view thereof;
FIG. 3 is a rear elevational view thereof;
FIG. 4 is a left side elevational view thereof;
FIG. 5 is a right side elevational view thereof;
FIG. 6 is a top plan view thereof;
FIG. 7 is a bottom plan view thereof;
FIG. 8 is an enlarged view of FIG. 7; and,
FIG. 9 is an enlarged view of a portion of FIG. 1.
The broken lines in the drawings depict portions of the lithium-iron battery that form no part of the claimed design. The broken lines in FIG. 1 are to demarcate areas shown enlarged in FIG. 9 and are not part of the claimed design.

(56) **References Cited**
U.S. PATENT DOCUMENTS
D830,965 S * 10/2018 Varatharajah D13/103
D840,333 S * 2/2019 Cooper D13/103
D841,572 S * 2/2019 Gilpatrick D13/103
D845,229 S * 4/2019 Chen D13/103

1 Claim, 9 Drawing Sheets



(56)

References Cited

U.S. PATENT DOCUMENTS

D951,862 S * 5/2022 Xia D13/103
D954,641 S * 6/2022 Zeng D13/103
D955,329 S * 6/2022 Yu D13/103

OTHER PUBLICATIONS

Abatek EV Battery Solution. Sep. 11, 2019. Design HMI. <http://www.designhmi.com/2019/09/11/abatek-ev-battery-solution/>.*

How Do The Chevy Bolt & Chevy Spark EV Battery Packs Compare To One Another. Sep. 3, 2016. Clean Technica. <https://cleantechnica.com/2016/09/03/chevy-bolt-chevy-spark-ev-battery-packs-compare-one-another/>.*

Pure Electric Car Ncm Lithium Battery Pack. Before Jun. 23, 2022. Made in China, <https://m.made-in-china.com/product/Pure-Electric-Car-Ncm-Lithium-Battery-Pack-827477055.html>.*

* cited by examiner

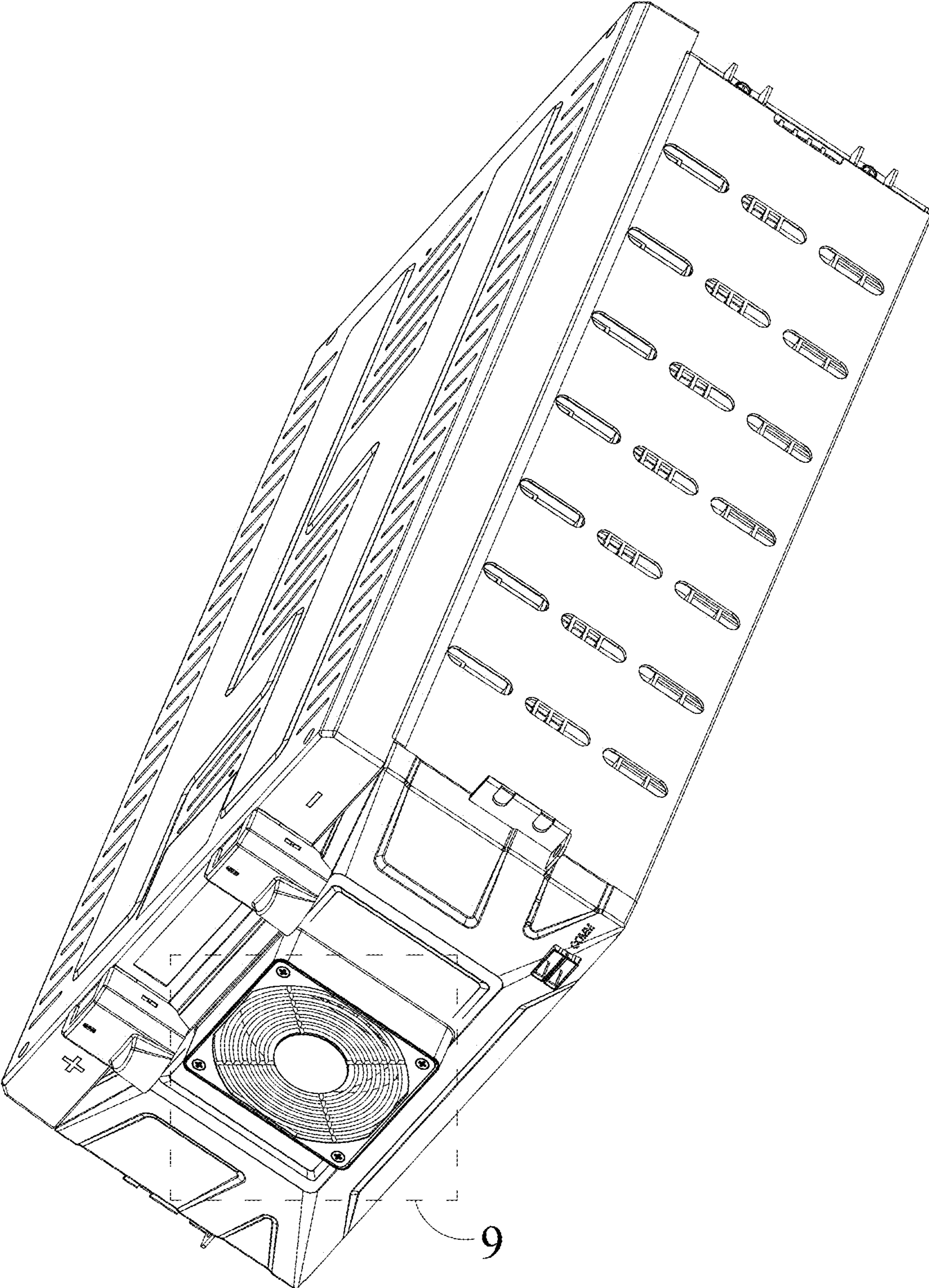


Fig. 1

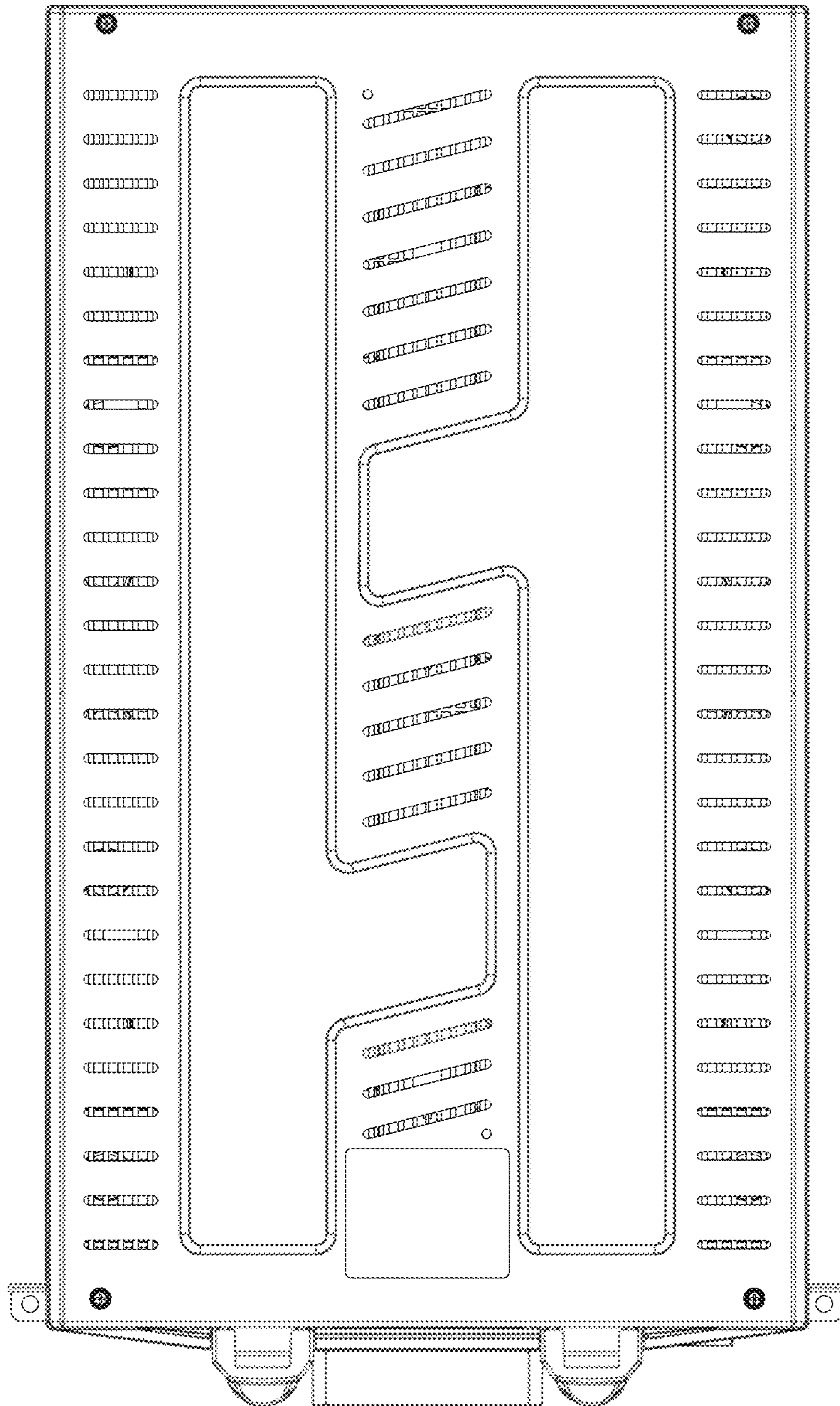


Fig. 2

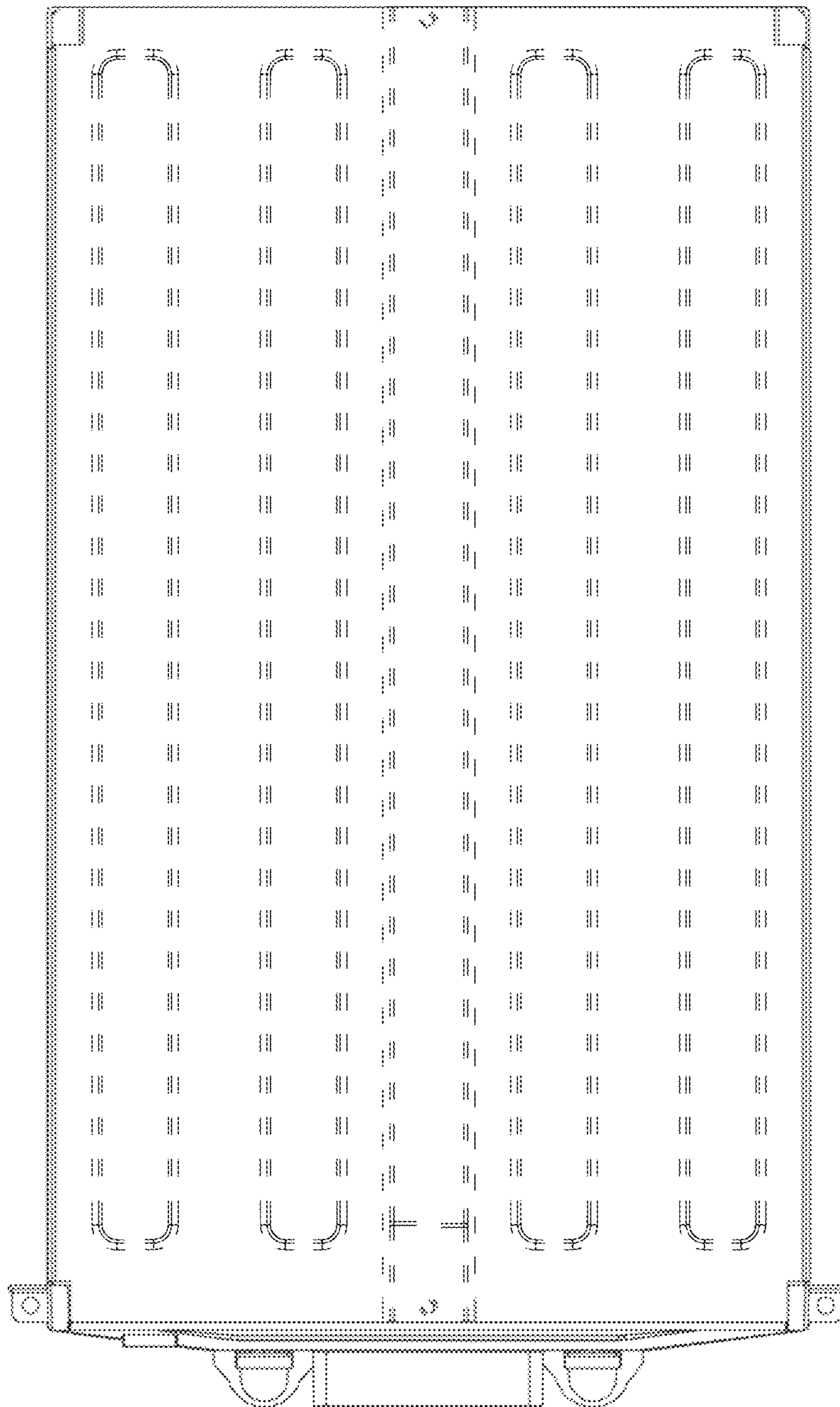


Fig. 3

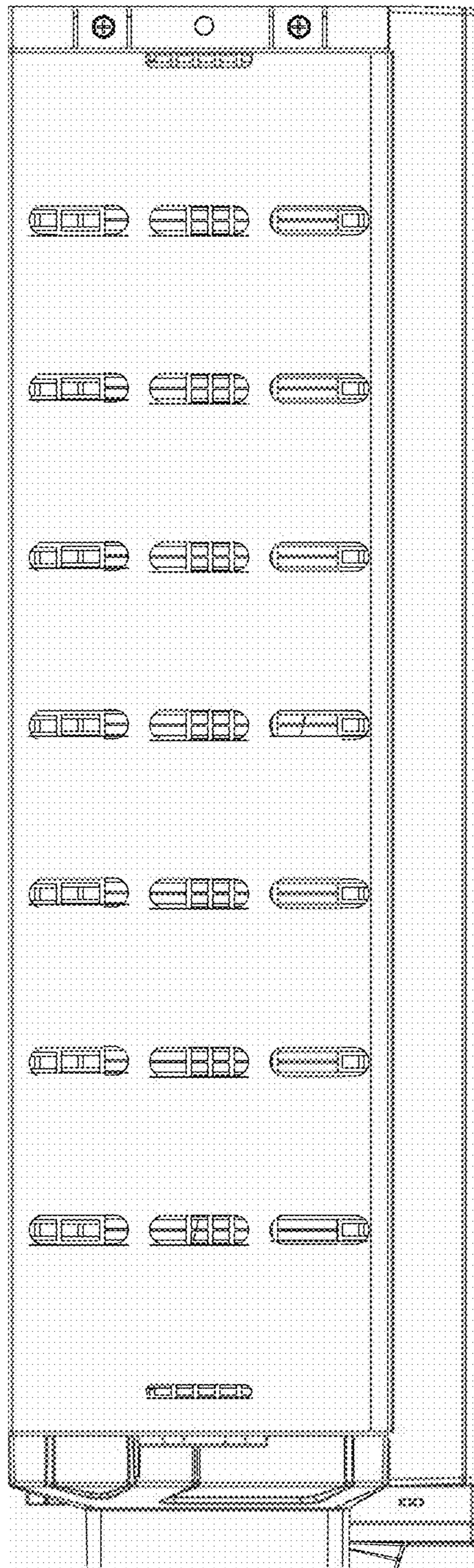


Fig. 4

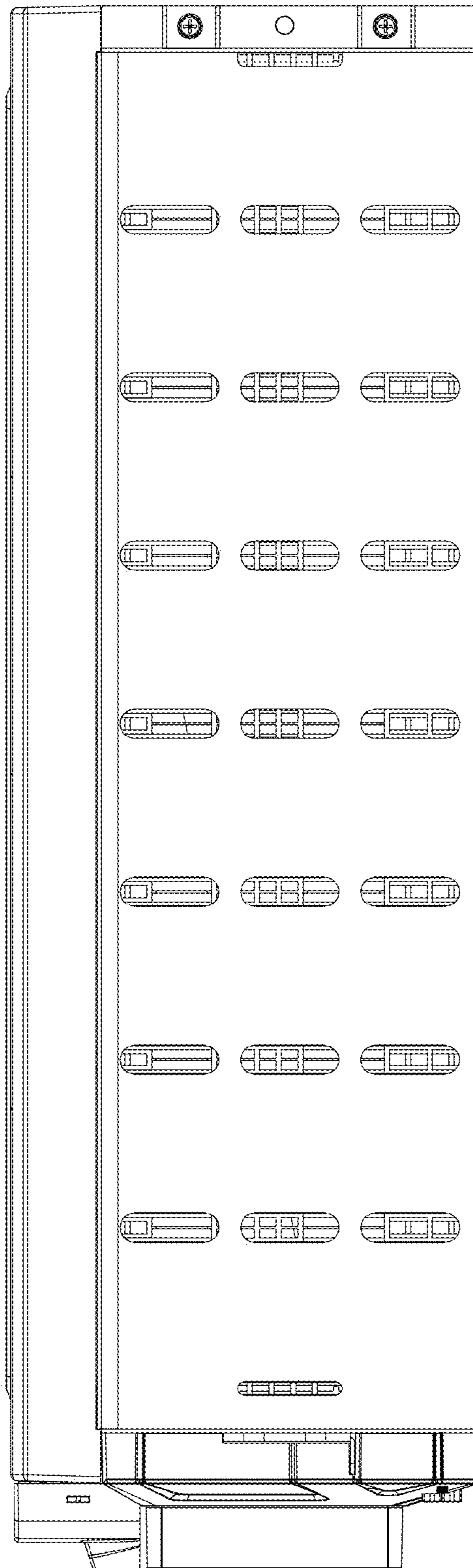


Fig. 5

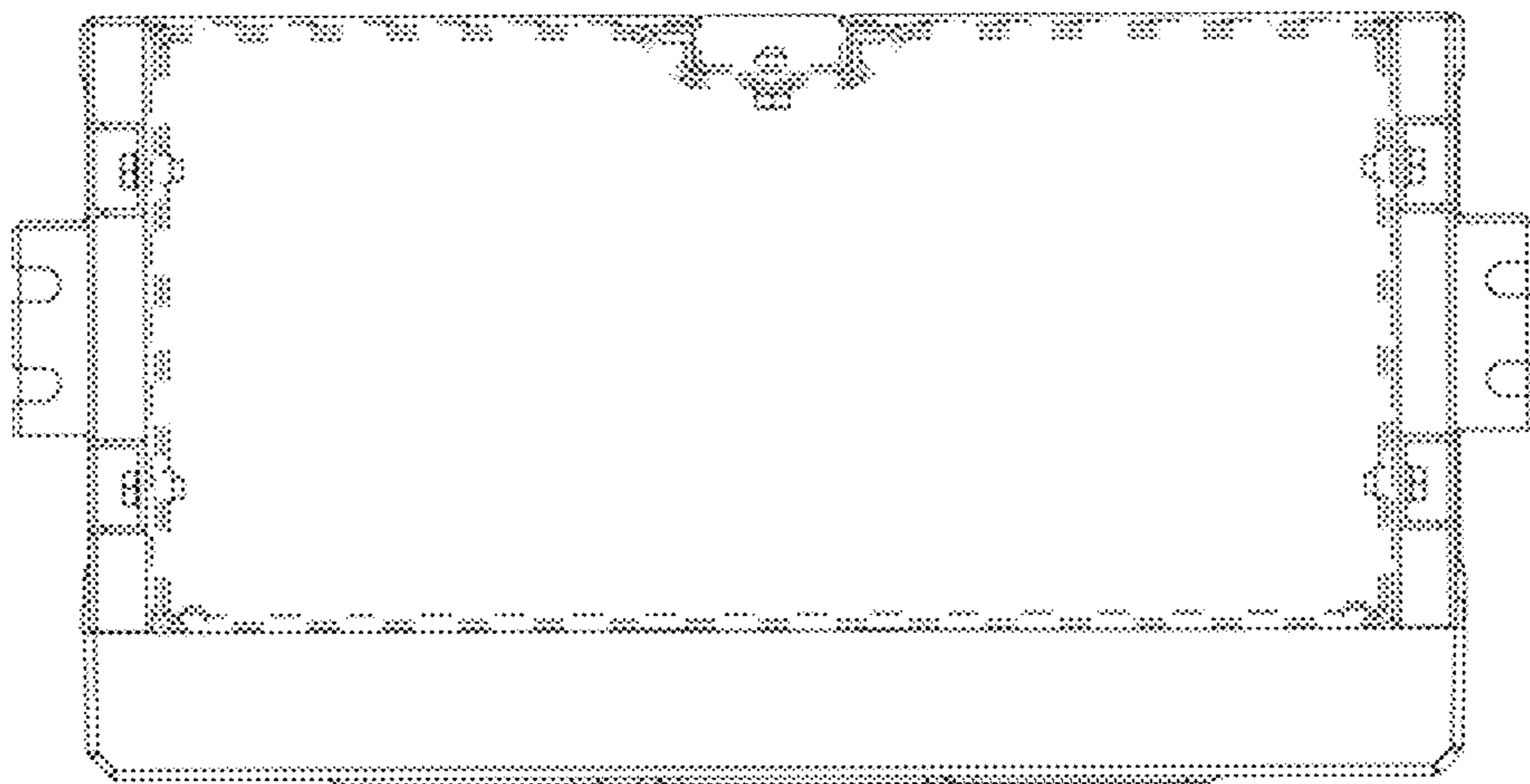


Fig. 6

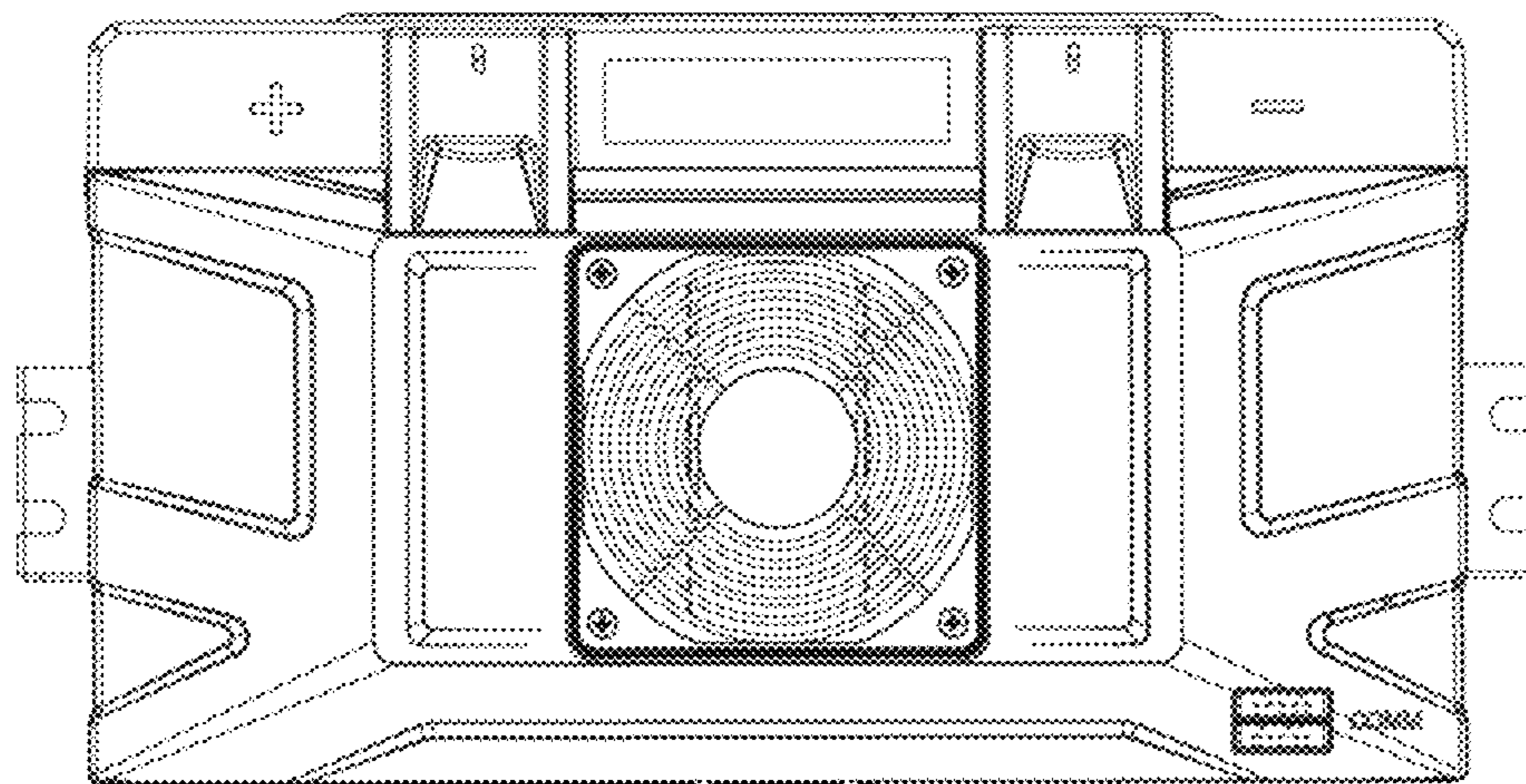


Fig. 7

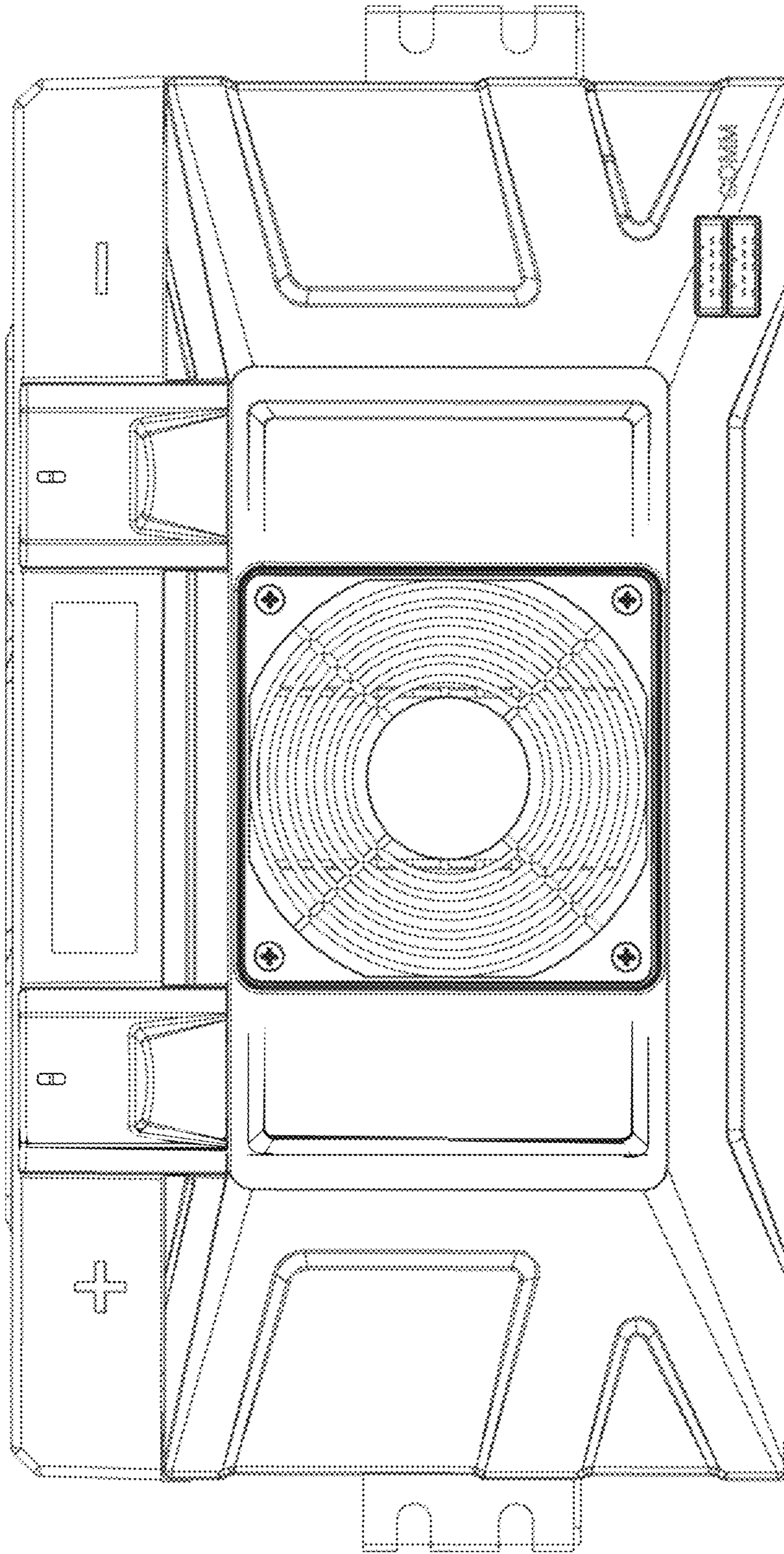


Fig. 8

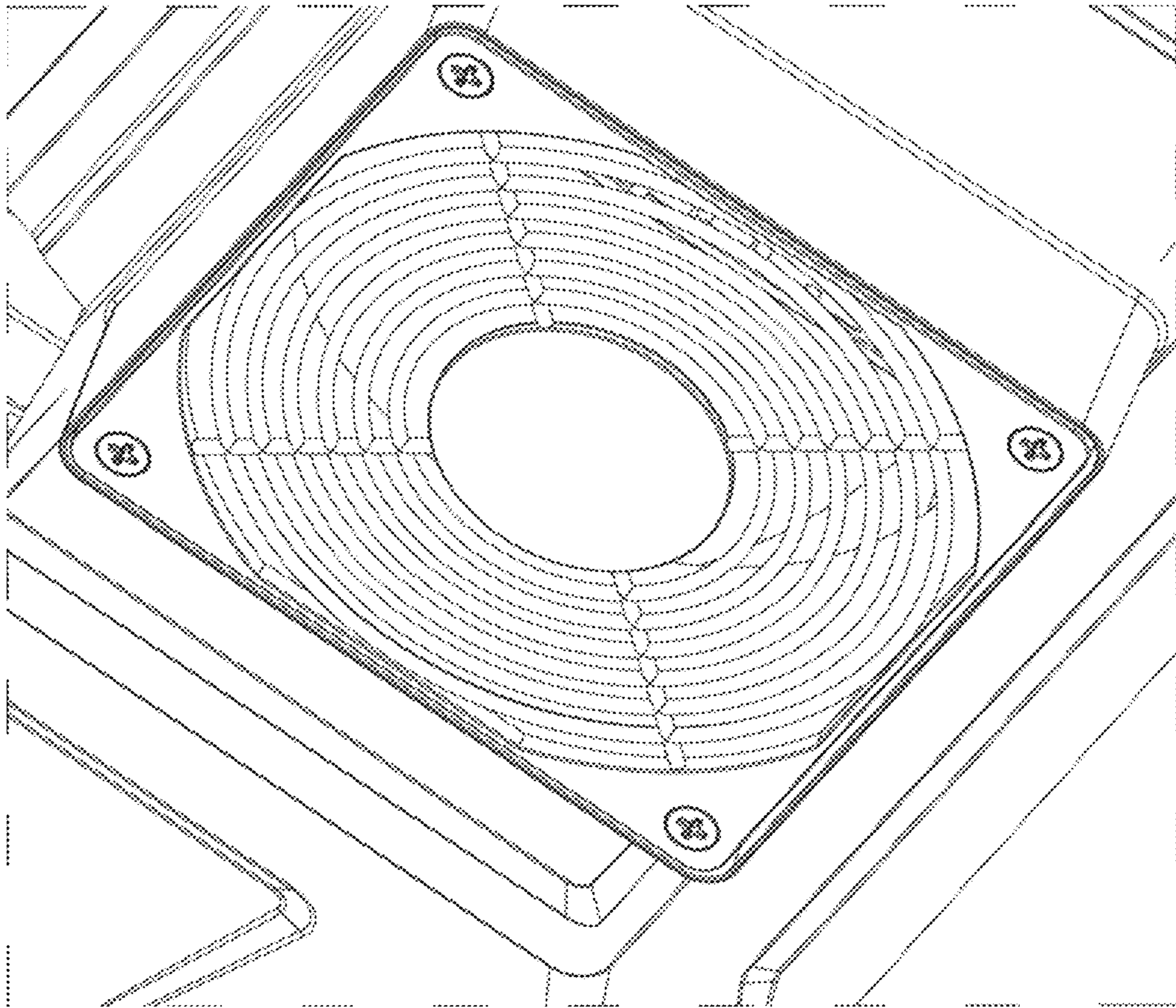


Fig. 9