



US00D981953S

(12) **United States Design Patent**  
**Underhill et al.**

(10) **Patent No.:** **US D981,953 S**

(45) **Date of Patent:** **\*\* Mar. 28, 2023**

(54) **JUMP STARTING DEVICE**

Y02T 10/7005; Y02T 10/705; Y02T  
10/7088; B60L 11/182

See application file for complete search history.

(71) Applicant: **THE NOCO COMPANY**, Glenwillow,  
OH (US)

(56) **References Cited**

(72) Inventors: **Derek Michael Underhill**, Tempe, AZ  
(US); **Jonathan Lewis Nook**, Gates  
Mills, OH (US)

U.S. PATENT DOCUMENTS

(73) Assignee: **The Noco Company**, Glenwillow, OH  
(US)

(\*\*) Term: **15 Years**

(21) Appl. No.: **29/759,817**

(22) Filed: **Nov. 25, 2020**

(51) **LOC (14) Cl.** ..... **13-02**

(52) **U.S. Cl.**

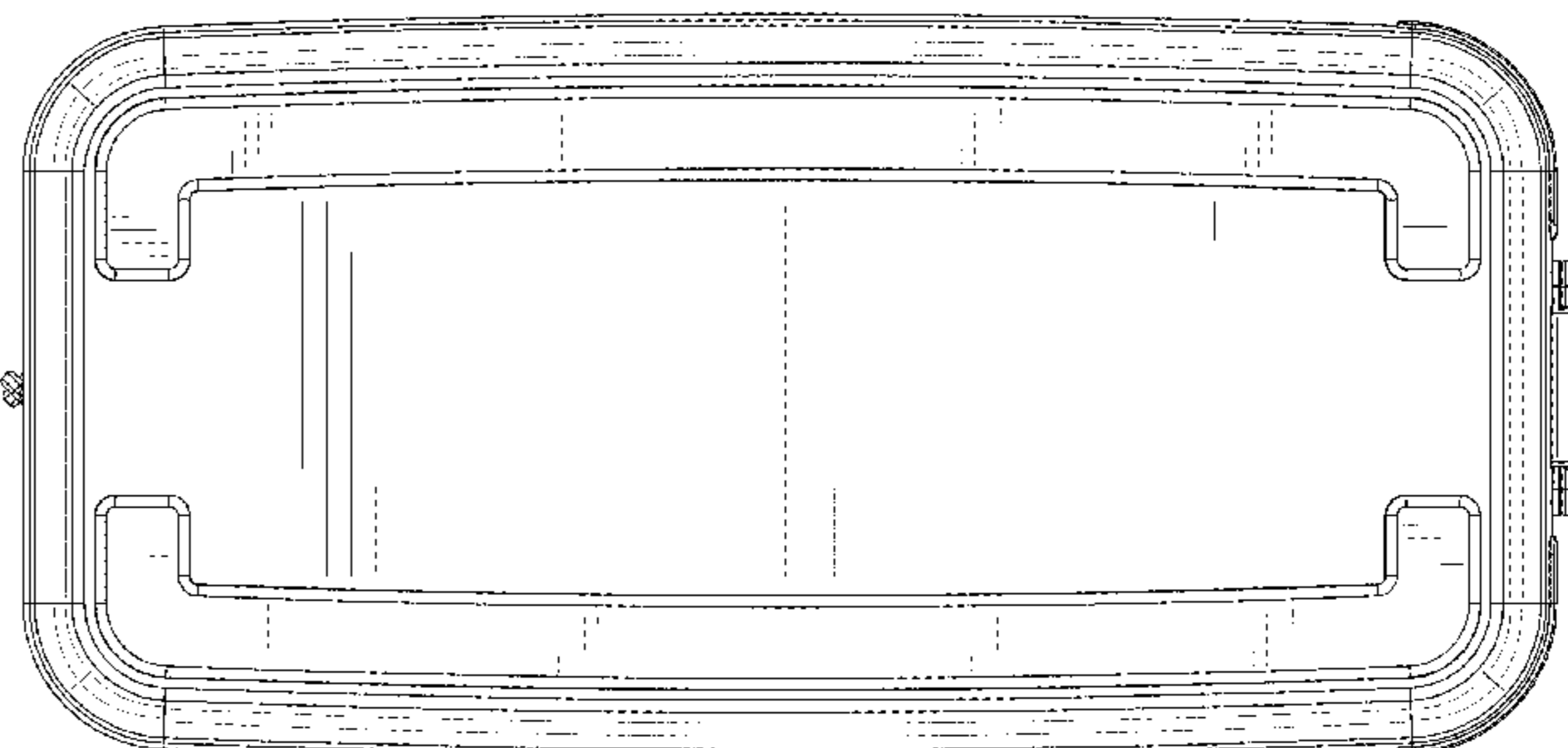
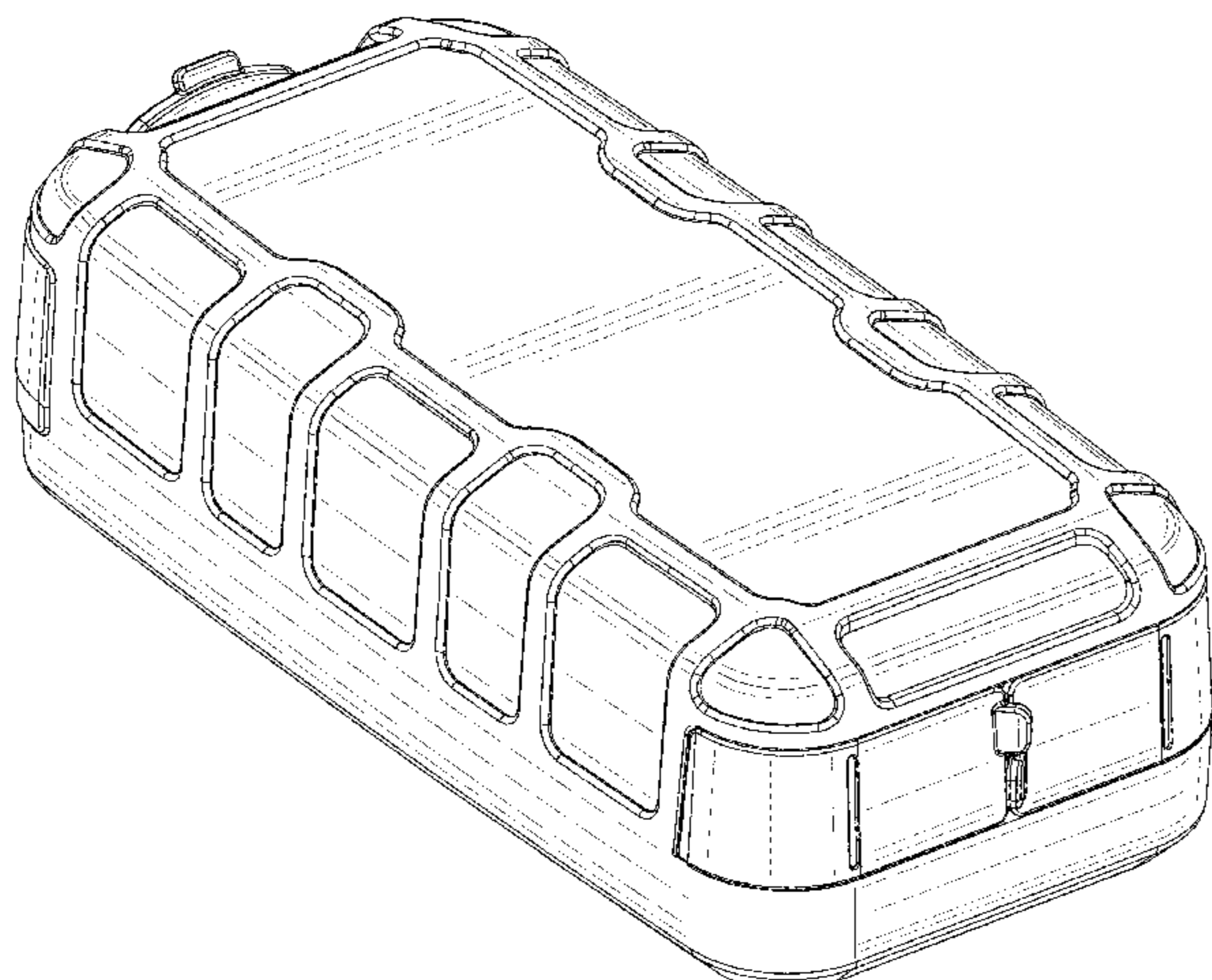
USPC ..... **D13/107**; D13/103

(58) **Field of Classification Search**

USPC ..... D13/102-110, 118, 119, 153, 154, 184,  
D13/199, 120, 107, 108

CPC ..... Y02E 60/10; Y02E 60/12; Y02E 60/122;  
Y02E 60/124; Y02E 60/50; H01M 2/02;  
H01M 2/022; H01M 2/0202; H01M  
2/0207; H01M 2/0212; H01M 2/1061;  
H01M 2/1022; H01M 2/1055; H01M  
2/1066; H01M 2/105; H01M 2/20; H01M  
2/202; H01M 2/204; H01M 2/206; H01M  
10/44; H01M 10/46; H01M 10/465;  
H01M 10/482; H01M 10/4257; H01M  
10/0436; H01M 10/48; H01M 2200/30;  
H01M 2250/30; H01M 2250/40; H02J  
7/00; H02J 7/0003; H02J 7/0011; H02J  
7/0013; H02J 7/0054; H02J 7/0055; H02J  
7/0057; H02J 7/0034; H02J 7/1423;

4,057,313 A	11/1977	Polizzano	
D307,579 S	5/1990	Layne	
5,019,767 A	5/1991	Shirai et al.	
D336,281 S	6/1993	Nakamura	
5,585,992 A	12/1996	Wu	
5,795,182 A	8/1998	Jacob	
5,820,407 A	10/1998	Morse	
5,833,493 A	11/1998	Hung	
5,847,541 A	12/1998	Hahn	
5,985,481 A	11/1999	Champagne	
6,002,235 A	12/1999	Clore	
6,386,907 B1	5/2002	Ruffa	
6,471,540 B1	10/2002	Fernandez	
D465,764 S	11/2002	Salazar	
D483,721 S	12/2003	Kim	
D485,810 S	1/2004	Fiocchi	
D511,743 S	11/2005	Hriscu	
D524,731 S	7/2006	Navarrez	
D570,772 S	6/2008	Mahaffey	
D575,225 S	8/2008	Ahlgren	
D580,853 S	11/2008	Ahlgren	
D597,029 S	7/2009	Li	
D624,014 S	9/2010	Lingott	
D634,313 S	3/2011	Fitzpatrick et al.	
D654,854 S	2/2012	Inskeep	
D654,855 S	2/2012	Inskeep	
D654,856 S	2/2012	Inskeep	
D654,867 S	2/2012	Huppe	
D661,249 S	6/2012	Smith	
D664,501 S	7/2012	Inskeep	
D681,550 S	5/2013	Corbin	
D684,116 S	6/2013	Inskeep	
D687,768 S	8/2013	Minamikawa	
D694,176 S	11/2013	Buetow et al.	
D694,180 S	* 11/2013	Inskeep ..... D13/107	
D701,490 S	3/2014	Inskeep	
D711,821 S	8/2014	Wang	
D731,422 S	6/2015	Aromin	
D738,825 S	9/2015	Nook	
D742,822 S	11/2015	Ju	
D744,942 S	12/2015	Bates	
D745,455 S	* 12/2015	Nook ..... D13/103	
D746,770 S	* 1/2016	Nook ..... D13/103	
D746,774 S	1/2016	Nook	
D755,121 S	5/2016	Barajas	



# US D981,953 S

D757,650 S 5/2016 Faust  
D758,302 S 6/2016 Walker  
D758,960 S 6/2016 Johansson  
D760,164 S 6/2016 Aida  
D769,188 S 10/2016 Miller  
D775,587 S 1/2017 Barajas  
D785,563 S 5/2017 Yang  
D786,192 S 5/2017 Liu  
D786,790 S 5/2017 Miller  
D787,443 S 5/2017 Chiang  
D793,955 S \* 8/2017 Yang ..... D13/107  
D797,044 S 9/2017 Miller  
D803,151 S 11/2017 Zhou  
D808,653 S 1/2018 Rayeski  
D809,454 S 2/2018 Zhou  
D813,162 S 3/2018 Krantz  
D814,406 S \* 4/2018 Yang ..... D13/107  
D816,024 S \* 4/2018 Yang ..... D13/107  
D821,306 S 6/2018 Liu  
D828,295 S 9/2018 Li  
D829,647 S 10/2018 Yang  
D832,207 S 10/2018 Gorin  
D832,781 S \* 11/2018 Nook ..... D13/107  
D836,064 S 12/2018 Liu  
D836,067 S 12/2018 Tschopp  
D836,068 S \* 12/2018 Nook ..... D13/120  
D838,669 S 1/2019 Miller  
D840,927 S 2/2019 Inskeep  
D842,238 S 3/2019 Qiu  
D845,230 S \* 4/2019 Nook ..... D13/107  
D845,892 S 4/2019 Shum  
D860,177 S 9/2019 Robins  
D861,597 S 10/2019 Gan  
D866,457 S 11/2019 Liu  
D866,463 S 11/2019 Hui  
D867,985 S \* 11/2019 Nook ..... D13/107  
D870,035 S 12/2019 Yang  
D871,322 S \* 12/2019 Nook ..... D13/107  
D872,011 S 1/2020 Rao  
D872,012 S 1/2020 Rao  
D881,813 S \* 4/2020 Nook ..... D13/120  
D883,925 S 5/2020 Yoon  
D884,605 S 5/2020 Sun  
D884,608 S 5/2020 Gan  
D885,329 S 5/2020 Gan  
D892,726 S 8/2020 Wang  
D892,727 S 8/2020 Gan  
D896,749 S 9/2020 Wu  
D902,851 S 11/2020 Wu  
D903,588 S 12/2020 Shoemake  
D911,286 S 2/2021 Esses  
D911,936 S 3/2021 Miller  
D911,949 S 3/2021 Sun  
D911,950 S 3/2021 Zhang  
D913,917 S 3/2021 Finocchiaro  
D913,931 S \* 3/2021 Nook ..... D13/120  
D916,012 S 4/2021 Finocchiaro  
D916,015 S 4/2021 Li  
D918,830 S 5/2021 Chen  
D919,572 S 5/2021 Lei  
D922,945 S 6/2021 Sun  
D923,564 S 6/2021 Liao  
D924,132 S 7/2021 Turksu  
D926,123 S 7/2021 Zhu  
D926,124 S 7/2021 Zhu  
D930,578 S 9/2021 Zheng  
D934,793 S 11/2021 Shu  
D937,197 S 11/2021 Hao  
D937,762 S 12/2021 Chung  
D937,763 S 12/2021 Wang  
D939,435 S 12/2021 Feng  
D942,931 S 2/2022 Fang  
D943,516 S 2/2022 Wang  
D944,191 S \* 2/2022 Wang ..... D13/107  
D960,090 S 8/2022 Underhill et al.  
D967,013 S \* 10/2022 Underhill ..... D13/107  
2006/0201558 A1 9/2006 Marty et al.  
2008/0213653 A1 9/2008 Marukawa et al.  
2009/0237031 A1 9/2009 McSweyn

2011/0116861 A1 5/2011 Zhang et al.  
2011/0230081 A1 9/2011 Rinehardt  
2013/0164600 A1 6/2013 Roskamp et al.  
2014/0184898 A1 7/2014 Overliese et al.  
2015/0054336 A1 2/2015 Xinfang  
2015/0099151 A1 4/2015 Lavender  
2016/0072323 A1 3/2016 Miller  
2016/0359352 A1 12/2016 Chiu  
2017/0012448 A1 1/2017 Miller  
2017/0346140 A1 11/2017 Koebler  
2018/0269703 A1 9/2018 Nook  
2018/0342891 A1 11/2018 Nook  
2019/0222042 A1 \* 7/2019 Nook ..... H02J 7/0034  
2020/0227937 A1 7/2020 Lu  
2021/0075235 A1 3/2021 Nook  
2021/0094428 A1 \* 4/2021 Nook ..... H02J 7/0047  
2021/0296913 A1 \* 9/2021 Nook ..... H02J 7/0045

## OTHER PUBLICATIONS

U.S. Trademark Application No. 86/030,590, filed Aug. 6, 2013, including drawing and sample.  
“Amazon Basics Battery Charger” Found online 03/08/2022 at amazon.com. Reference dated Jan. 18, 2020. Retrieved from [https://www.amazon.com/AmazonBasics-Battery-Charger-Volt-800mA/dp/B07TTNV9LZ/ref=psdc\\_15707061\\_t1\\_B00DJ5KEEA?th=1](https://www.amazon.com/AmazonBasics-Battery-Charger-Volt-800mA/dp/B07TTNV9LZ/ref=psdc_15707061_t1_B00DJ5KEEA?th=1) (Year: 2020).  
“Battery Tender Plus Battery Charger” Found online Mar. 8, 2022 at amazon.com. Reference dated Jan. 20, 2007. Retrieved from [https://www.amazon.com/dp/B00DJ5KEEA/ref=sspa\\_dk\\_detail\\_8](https://www.amazon.com/dp/B00DJ5KEEA/ref=sspa_dk_detail_8) (Year: 2007).  
“BEATIT Jump Starter” Found online May 20, 2021 at amazon.com. Reference dated Dec. 24, 2018. Retrieved from [https://www.amazon.com/BEATIT-21000mAh-Portable-Inverter-BP101/dp/B07M9M86JM/ref=psdc\\_318336011\\_t5\\_B084BWGWYHY](https://www.amazon.com/BEATIT-21000mAh-Portable-Inverter-BP101/dp/B07M9M86JM/ref=psdc_318336011_t5_B084BWGWYHY) (Year: 2018).  
“Durst Battery Charger” Found online Apr. 4, 2022 at durst.com.au. Reference dated Mar. 9, 2010. Retrieved from [https://tineye.com/search/1ec8ff6116e1710356e88efedb9dfccdcbe769?sort=crawl\\_date&order=asc&page=1](https://tineye.com/search/1ec8ff6116e1710356e88efedb9dfccdcbe769?sort=crawl_date&order=asc&page=1) (Year: 2010).  
“MOTOPOWER Battery Charger” Found online Mar. 8, 2022 at amazon.com. Reference dated Dec. 2, 2017. Retrieved from [https://www.amazon.com/MOTORPOWER-MP00205A-Automatic-Battery-Maintainer/dp/B06XWDZ2KQ/ref=pd\\_day0fbt\\_img\\_2/133-1437029-9147658](https://www.amazon.com/MOTORPOWER-MP00205A-Automatic-Battery-Maintainer/dp/B06XWDZ2KQ/ref=pd_day0fbt_img_2/133-1437029-9147658) (Year: 2017).  
“NOCO Boost Max GB251” Found online Mar. 16, 2022 at amazon.com. Reference dated Jan. 27, 2021. Retrieved from <https://www.amazon.com/NOCO-G8251-Ultrasafe-Commercial-32-Liters/dp/B08V738Z42> (Year: 2021).  
“NOCO Boost GB70 Jump Starter” Found online Mar. 8, 2022 at amazon.com. Reference dated Jan. 1, 2010. Retrieved from [https://www.amazon.com/dp/B016UG6PWE?ref=emc\\_p\\_m\\_5\\_i](https://www.amazon.com/dp/B016UG6PWE?ref=emc_p_m_5_i) (Year: 2010).  
“NOCO Genius G750 Battery Charger” Found online Mar. 8, 2022 at youtube.com. Reference dated Jul. 10, 2015. Retrieved from <https://www.youtube.com/watch?v~LnBf30-5IyU> (Year: 2015).  
“NOCO Boost Pro GB150 Jump Starter” Found online Mar. 8, 2022 at amazon.com. Reference dated Sep. 1, 2015. Retrieved from [https://www.amazon.com/dp/B015TKSSB8?ref=emc\\_p\\_m\\_5\\_i](https://www.amazon.com/dp/B015TKSSB8?ref=emc_p_m_5_i) (Year: 2015).  
“NOCO GBX55 Jump Starter” Found online Mar. 18, 2022 at amazon.com. Reference dated Feb. 22, 2021. Retrieved from <https://www.amazon.com.au/NOCO-GBX55-Ultrasafe-Powerbank-7-5-Liter/dp/B08WZKRHZZ> (Year: 2021).  
“NOCO Boost XL GB50 Jump Starter” Found online Mar. 17, 2022 at amazon.com. Reference dated Jan. 16, 2019. Retrieved from <https://www.amazon.com/NOCO-GB50-Ultrasafe-Lithium-Gasoline/dp/B07MVY7K43> (Year: 2019).  
“NOCO Genius 2x4 Charger” Found online Apr. 1, 2022 at amazon.com. Reference dated Aug. 15, 2020. Retrieved from <https://www.amazon.com/dp/B08FS6CL8> (Year: 2020).  
“NOCO Genius 2x2 Charger” Found online Mar. 8, 2022 at amazon.com. Reference dated Jul. 31, 2020. Retrieved from [https://www.amazon.com/dp/B08F37P7H3?ref=emc\\_p\\_m\\_5\\_i](https://www.amazon.com/dp/B08F37P7H3?ref=emc_p_m_5_i) (Year: 2020).

“NOCO Genius 10 Charger” Found online Mar. 8, 2022 at amazon.com. Reference dated Nov. 18, 2019. Retrieved from [https://www.amazon.com.au/NOCO-GENIUS10-Fully-Automatic-Temperature-Compensation/dp/B07W3QT226/ref=psdc\\_15707061\\_t2\\_B07W8KJH44](https://www.amazon.com.au/NOCO-GENIUS10-Fully-Automatic-Temperature-Compensation/dp/B07W3QT226/ref=psdc_15707061_t2_B07W8KJH44) (Year: 2019).

“NOCO Genius 5 Smart Charger” Found online Mar. 8, 2022 at amazon.com. Reference dated Nov. 18, 2019. Retrieved from [https://www.amazon.com/dp/B07W8KJH44?ref=emc\\_p\\_m\\_5\\_i](https://www.amazon.com/dp/B07W8KJH44?ref=emc_p_m_5_i) (Year: 2019).

“NOCO Genius 1 Charger” Found online Mar. 8, 2022 at amazon.com. Reference dated Nov. 18, 2019. Retrieved from <https://www.amazon.com/NOCO-GENIUS1-Fully-Automatic-Temperature-Compensation/dp/B07W468X31> (Year: 2019).

“REDARC Battery Charger” Found online Apr. 4, 2022 at allplant.net.au. Reference dated Nov. 4, 2016. Retrieved from [https://tineye.com/search/90925c60e27321fa89cba970b4406754770123af?sort=crawl\\_date&order=asc&page=1](https://tineye.com/search/90925c60e27321fa89cba970b4406754770123af?sort=crawl_date&order=asc&page=1) (Year: 2016).

“Renogy On-Board Battery Charger” Found online Apr. 4, 2022 at amazon.com. Reference dated Apr. 2, 2018. Retrieved from <https://www.amazon.com/Renogy-Battery-Batteries-Multi-stage-Charging/dp/B07Q5VYPCF?th=1> (Year: 2018).

“Victron Energy Charger” Found online Apr. 4, 2022 at amazon.com. Reference dated Sep. 27, 2020. Retrieved from [https://www.amazon.com/Orion-Tr-12-30A-Isolated-Charger-Booster/dp/B07ZKG396Y/ref+pd\\_lpo\\_2?pd\\_rd\\_=B07ZKG396Y&th=1](https://www.amazon.com/Orion-Tr-12-30A-Isolated-Charger-Booster/dp/B07ZKG396Y/ref+pd_lpo_2?pd_rd_=B07ZKG396Y&th=1) (Year: 2020).

“YONHAN Battery Charger” Found online Mar. 8, 2022 at amazon.com. Reference dated Jun. 9, 2020. Retrieved from [www.amazon.com/Automotive-Battery-Automatic-Motorcycle-YONHAN/dp/B089VRXB2W/ref=psdc\\_15707061-t5-B09HGYMP7D](https://www.amazon.com/Automotive-Battery-Automatic-Motorcycle-YONHAN/dp/B089VRXB2W/ref=psdc_15707061-t5-B09HGYMP7D) (Year: 2020).

\* cited by examiner

*Primary Examiner* — Christy Nemeth  
(74) *Attorney, Agent, or Firm* — Jones Day

(57) **CLAIM**

The ornamental design for a jump starting device, as shown and described.

**DESCRIPTION**

FIG. 1 is a perspective view of a jump starting device of our new design;

FIG. 2 is a top plan view thereof;

FIG. 3 is a bottom plan view thereof;

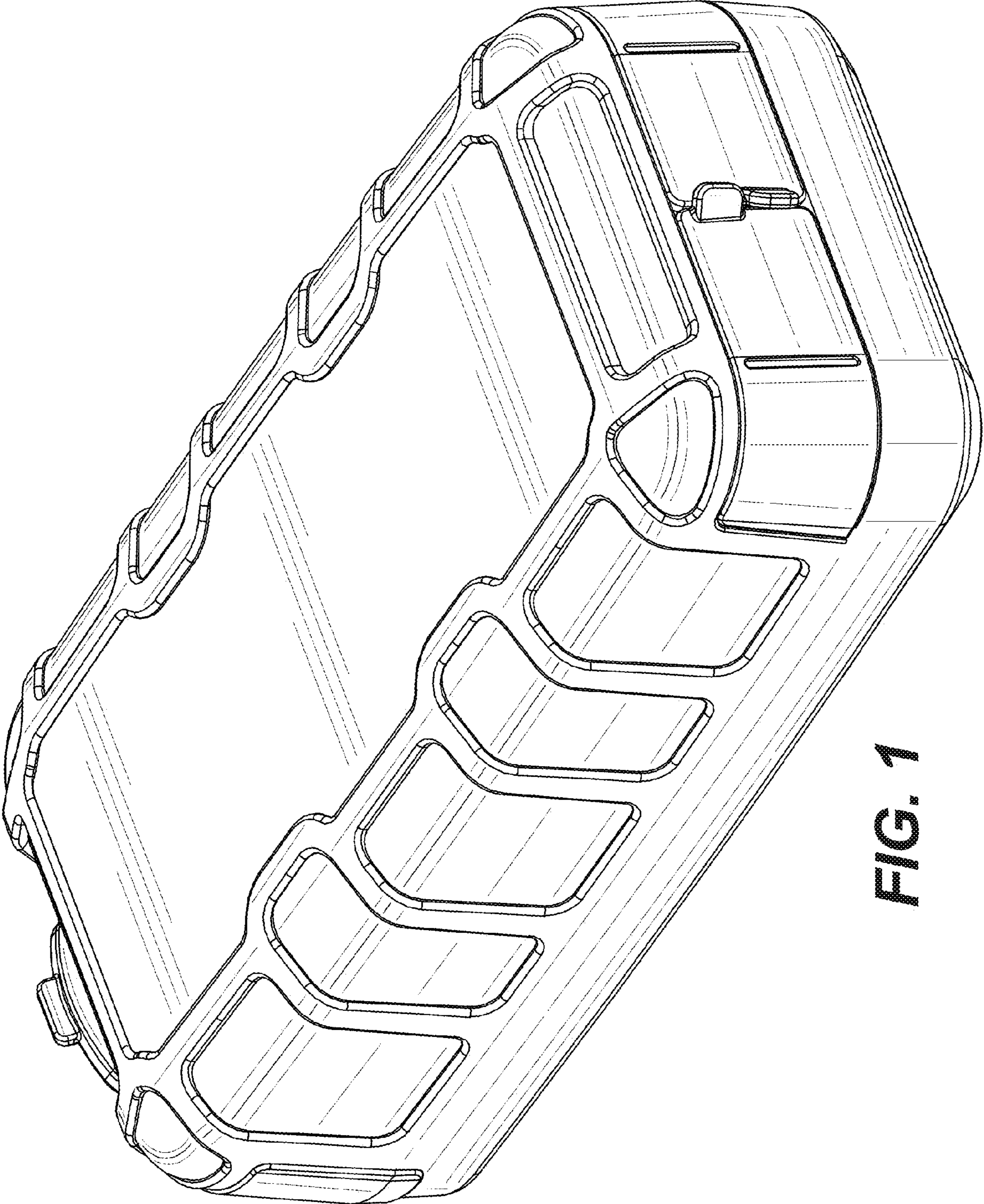
FIG. 4 is a front elevational view thereof;

FIG. 5 is a rear elevational view thereof;

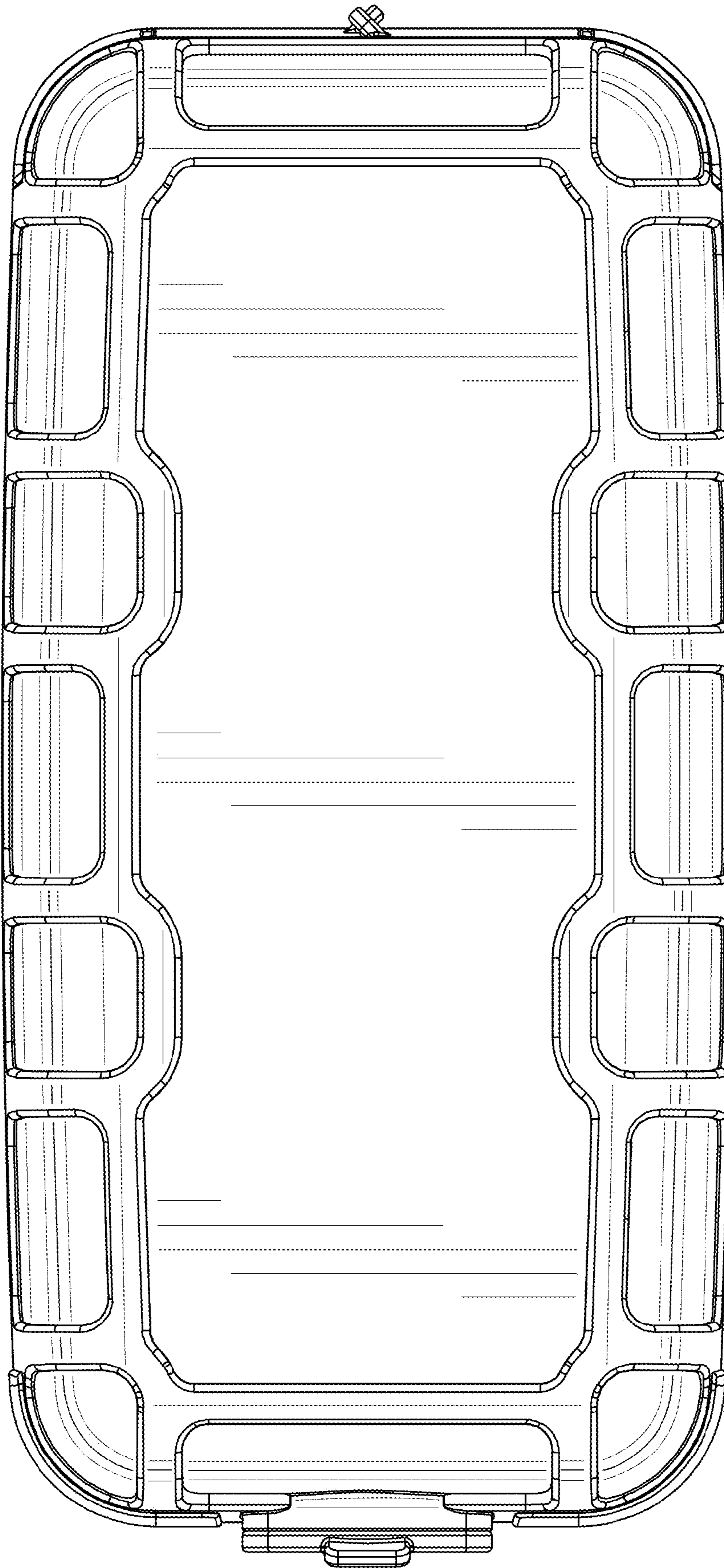
FIG. 6 is a left side elevational view thereof; and,

FIG. 7 is a right side elevational view thereof.

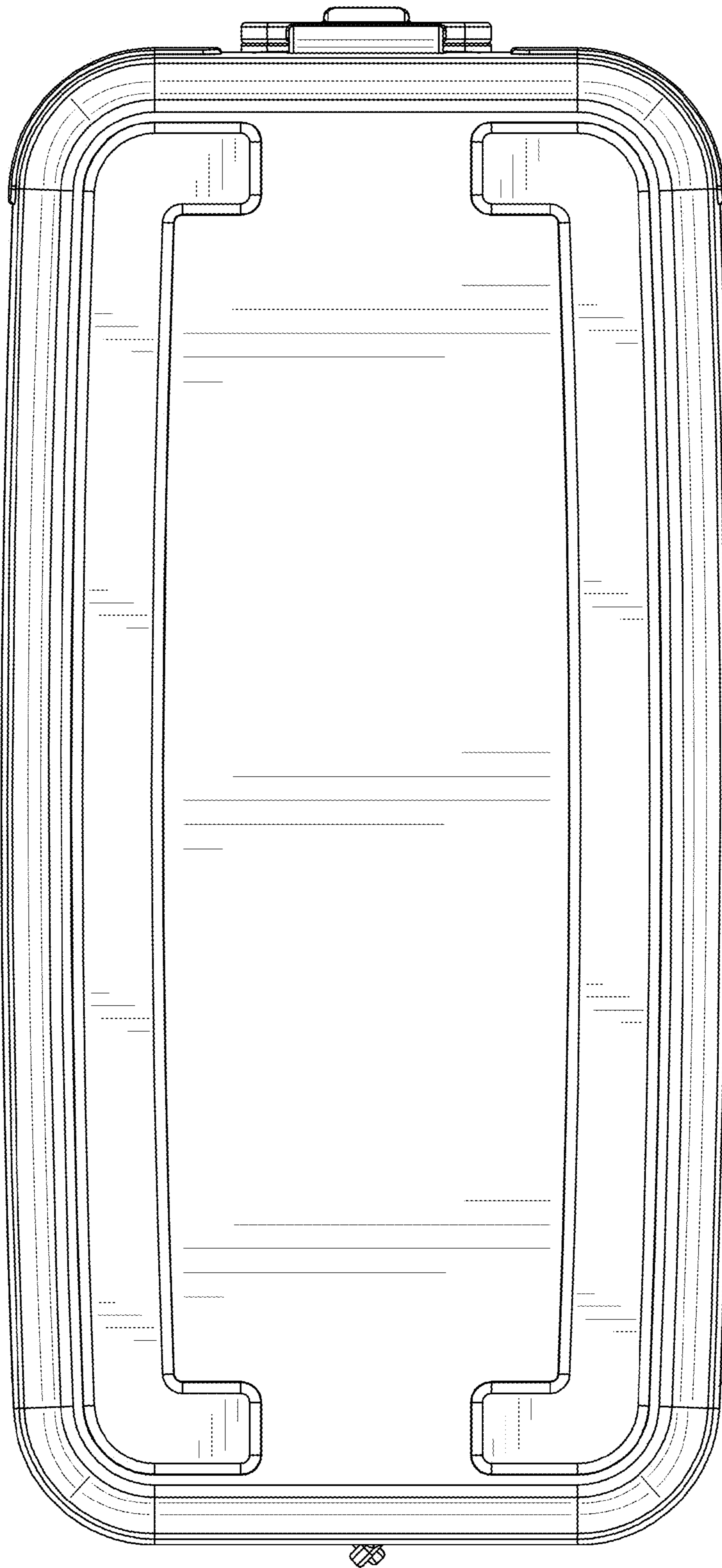
**1 Claim, 7 Drawing Sheets**



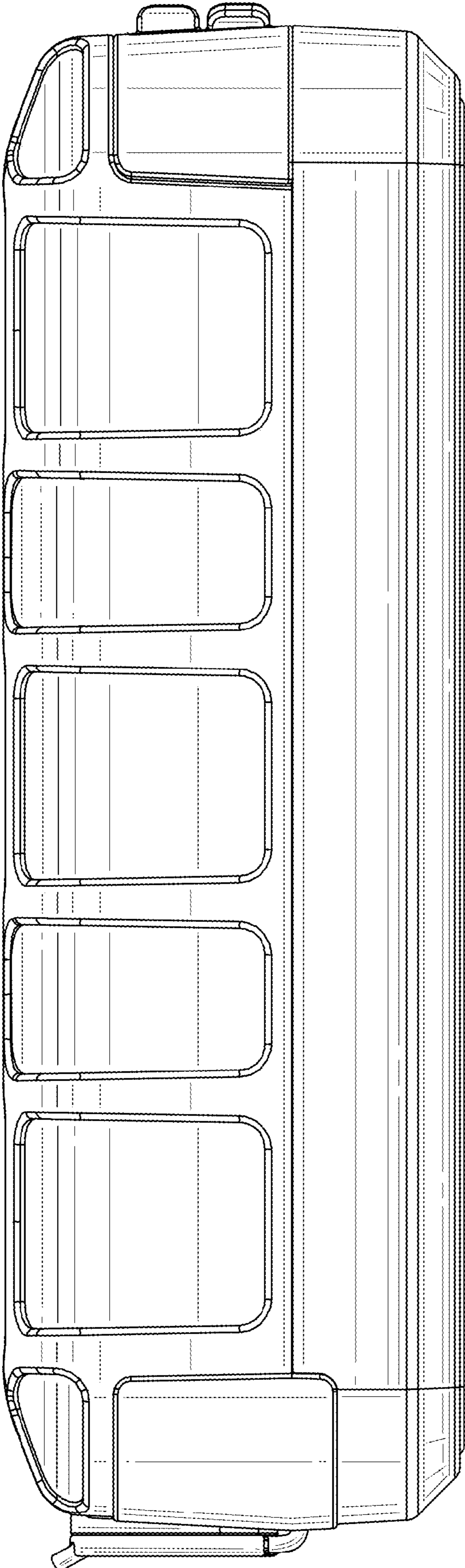
**FIG. 1**



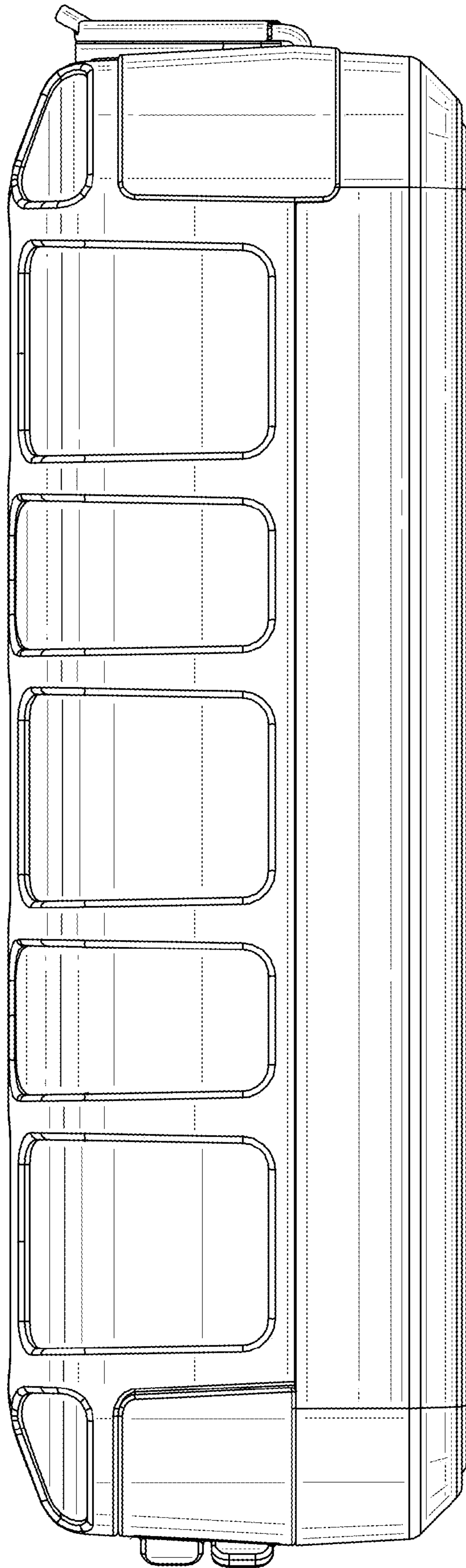
**FIG. 2**



**FIG. 3**

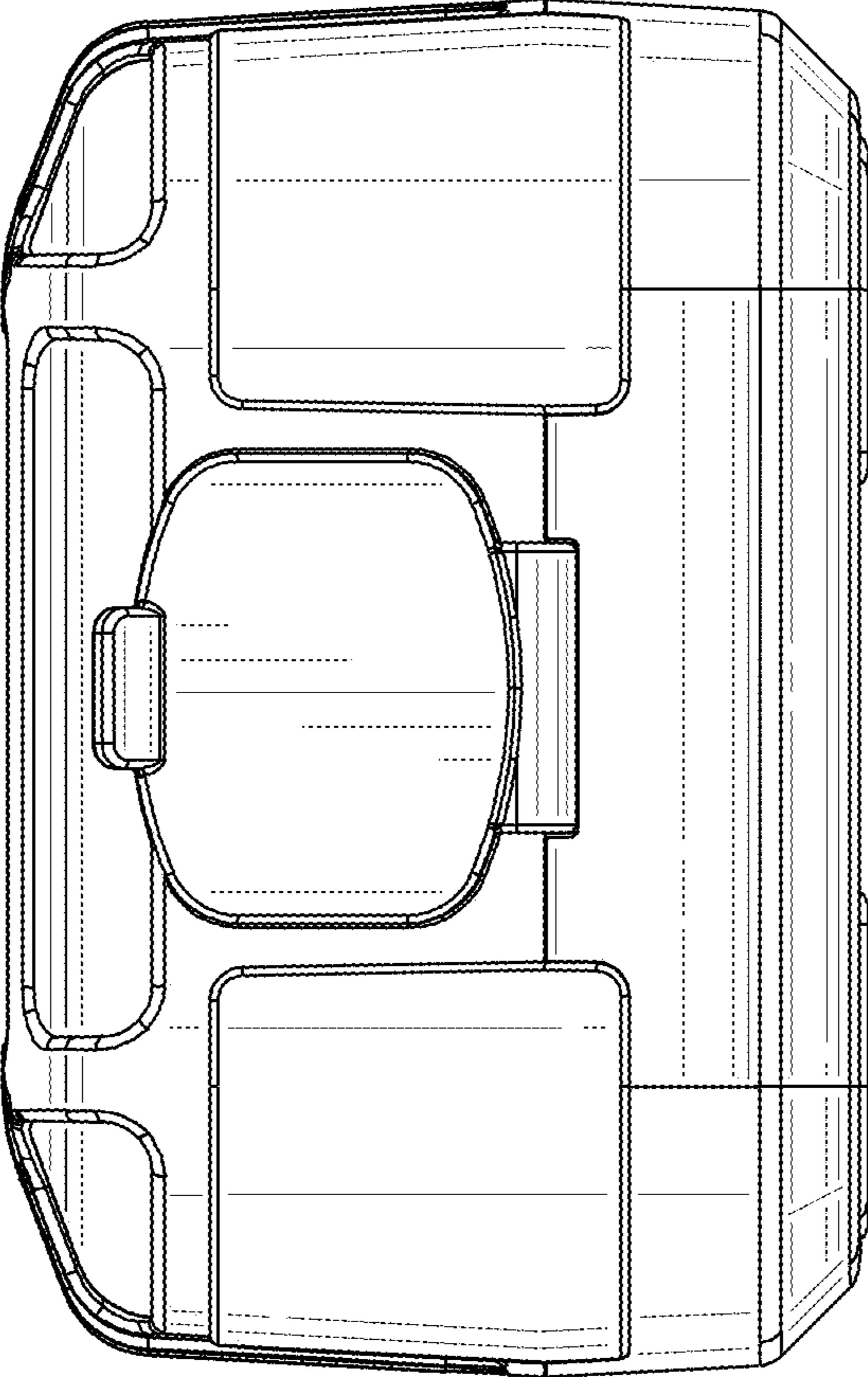


**FIG. 4**

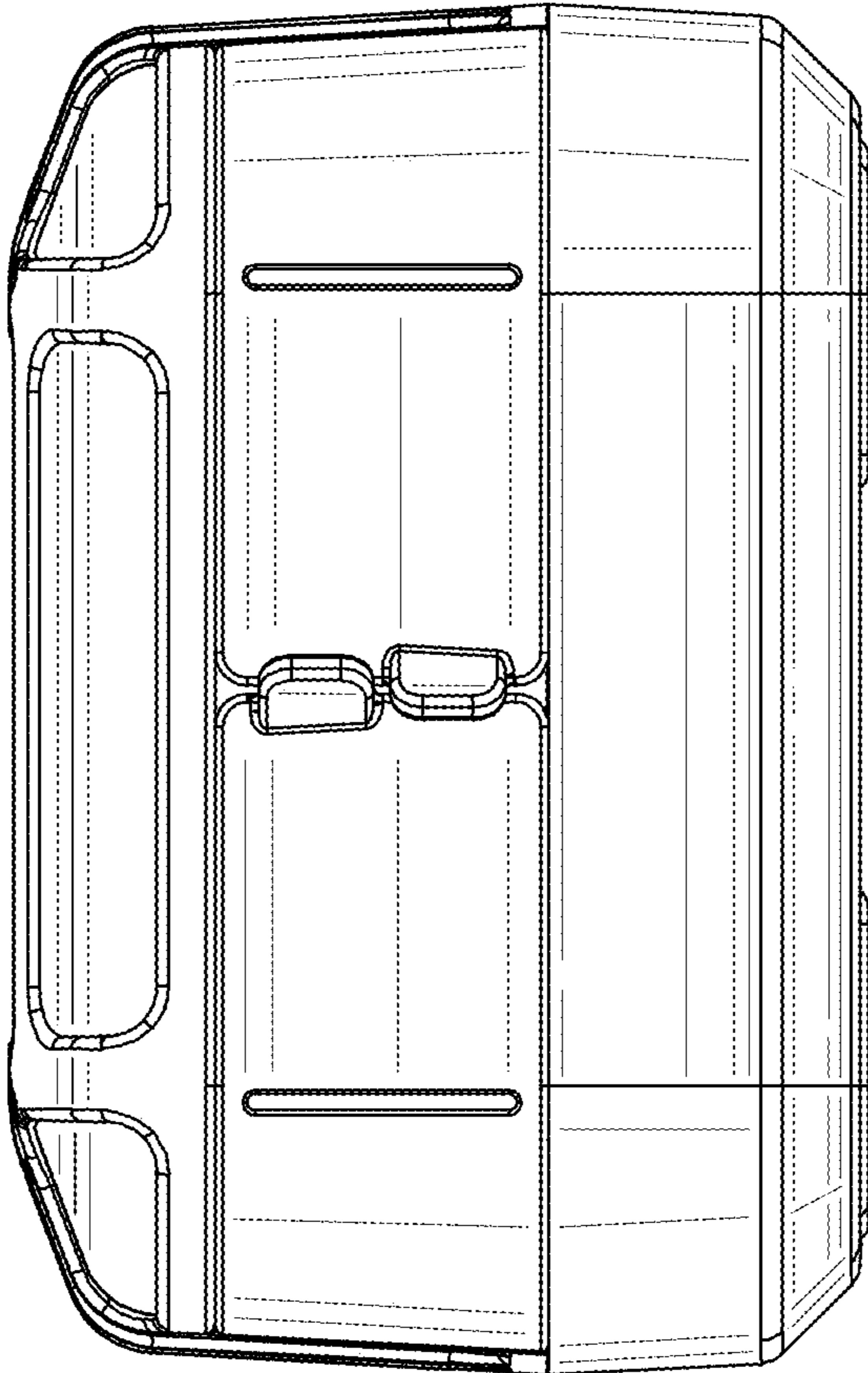


**FIG. 5**





**FIG. 6**



**FIG. 7**