



US00D981952S

(12) **United States Design Patent**  
**Huang**

(10) **Patent No.:** **US D981,952 S**  
(45) **Date of Patent:** **\*\* Mar. 28, 2023**

- (54) **PORTABLE SPOT WELDER**
- (71) Applicant: **Xiaomin Huang**, Hunan (CN)
- (72) Inventor: **Xiaomin Huang**, Hunan (CN)
- (\*\*) Term: **15 Years**
- (21) Appl. No.: **29/784,636**
- (22) Filed: **May 20, 2021**
- (51) **LOC (14) Cl.** ..... **13-02**
- (52) **U.S. Cl.**  
USPC ..... **D13/103**; D13/108
- (58) **Field of Classification Search**  
USPC ..... D15/144, 144.1, 144.2; D23/362, 364,  
D23/366; D28/44, 44.1; D13/103, 108  
CPC ..... H02J 7/342; H02J 7/00; H04M 1/72409;  
Y02E 60/10  
See application file for complete search history.

- D940,647 S \* 1/2022 DiLella ..... D13/103
  - D954,646 S \* 6/2022 Liao ..... D13/108
  - D956,686 S \* 7/2022 DiLella ..... D13/103
- (Continued)

FOREIGN PATENT DOCUMENTS

JP 2014061535 A \* 4/2014

OTHER PUBLICATIONS

Rechargeable Upgraded Enhanced Spot Welding Machine; posted on amazon.com; first available Mar. 30, 2021; [online], [site visited Jan. 4, 2023]; available from internet: URL: [https://www.amazon.com/Rechargeable-Upgraded-Enhanced-Portable-Equipment/dp/B091BY3L6L/ref=psdc\\_13400551\\_t2\\_B0928YYPB](https://www.amazon.com/Rechargeable-Upgraded-Enhanced-Portable-Equipment/dp/B091BY3L6L/ref=psdc_13400551_t2_B0928YYPB) (Year: 2021).\*

(Continued)

*Primary Examiner* — Michael C Stout  
*Assistant Examiner* — Fritzgerald L Butac  
 (74) *Attorney, Agent, or Firm* — ScienBiziP, P.C.

(56) **References Cited**

U.S. PATENT DOCUMENTS

- D346,611 S \* 5/1994 Hodge ..... D15/144
- D590,334 S \* 4/2009 Tatehata ..... D13/103
- D612,329 S \* 3/2010 Guccione ..... D13/108
- D711,821 S \* 8/2014 Wang ..... D13/103
- D733,051 S \* 6/2015 Wang ..... D13/103
- D760,647 S \* 7/2016 Chen ..... D13/103
- D763,185 S \* 8/2016 Wen ..... D13/103
- D767,486 S \* 9/2016 Yu ..... D13/103
- D812,000 S \* 3/2018 Li ..... D13/103
- D824,328 S \* 7/2018 Liu ..... D13/108
- D824,329 S \* 7/2018 Conocenti ..... D13/103
- D877,070 S \* 3/2020 Lemelson ..... D13/103
- D881,807 S \* 4/2020 Xu ..... D13/103
- D883,923 S \* 5/2020 Keferstein ..... D13/108
- D883,925 S \* 5/2020 Yoon ..... D13/108
- D885,327 S \* 5/2020 Leeds-Frank ..... D13/103
- D886,054 S \* 6/2020 Liao ..... D13/103
- D893,418 S \* 8/2020 Liao ..... D13/103
- D901,381 S \* 11/2020 Choo ..... D13/103
- D937,197 S \* 11/2021 Hao ..... D13/103

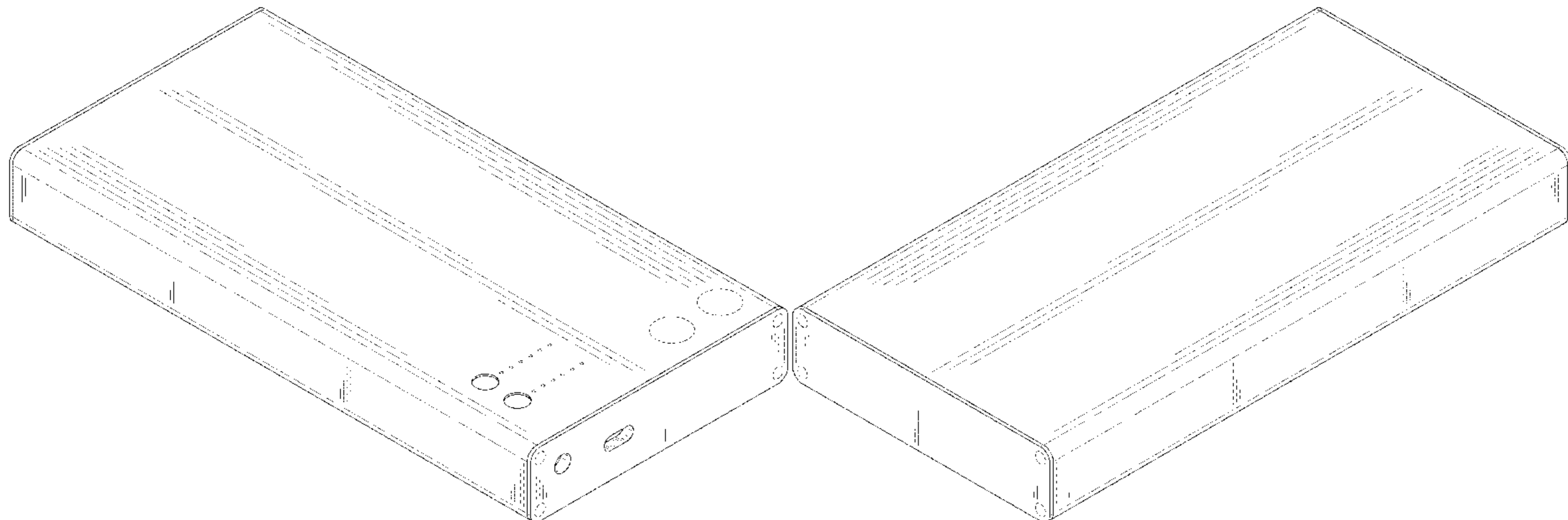
(57) **CLAIM**

The ornamental design for a portable spot welder, as shown and described.

**DESCRIPTION**

FIG. 1 is a front, right, and top perspective view of a portable spot welder, showing my design.  
 FIG. 2 is a rear, left, and bottom perspective view thereof.  
 FIG. 3 is a front elevation view thereof.  
 FIG. 4 is a rear elevation view thereof.  
 FIG. 5 is a left side elevation view thereof.  
 FIG. 6 is a right side elevation view thereof.  
 FIG. 7 is a top plan view thereof; and,  
 FIG. 8 is a bottom plan view thereof.  
 The broken lines shown in the drawings are included for the purpose of illustrating portions of the portable spot welder that form no part of the claimed design.

**1 Claim, 8 Drawing Sheets**



(56)

**References Cited**

U.S. PATENT DOCUMENTS

D956,689 S \* 7/2022 Reilly ..... D13/103  
D964,930 S \* 9/2022 Woo ..... D13/103  
D966,188 S \* 10/2022 Confavreux ..... D13/108  
D972,495 S \* 12/2022 Ai ..... D13/103

OTHER PUBLICATIONS

Top 5 best battery spot welders of 2022; posted on youtube.com; posted Jul. 2022; [online], [site visited Jan. 4, 2023]; available from internet: URL: <https://www.youtube.com/watch?v=vPI1kP1OEb4> (Year: 2022).\*

\* cited by examiner

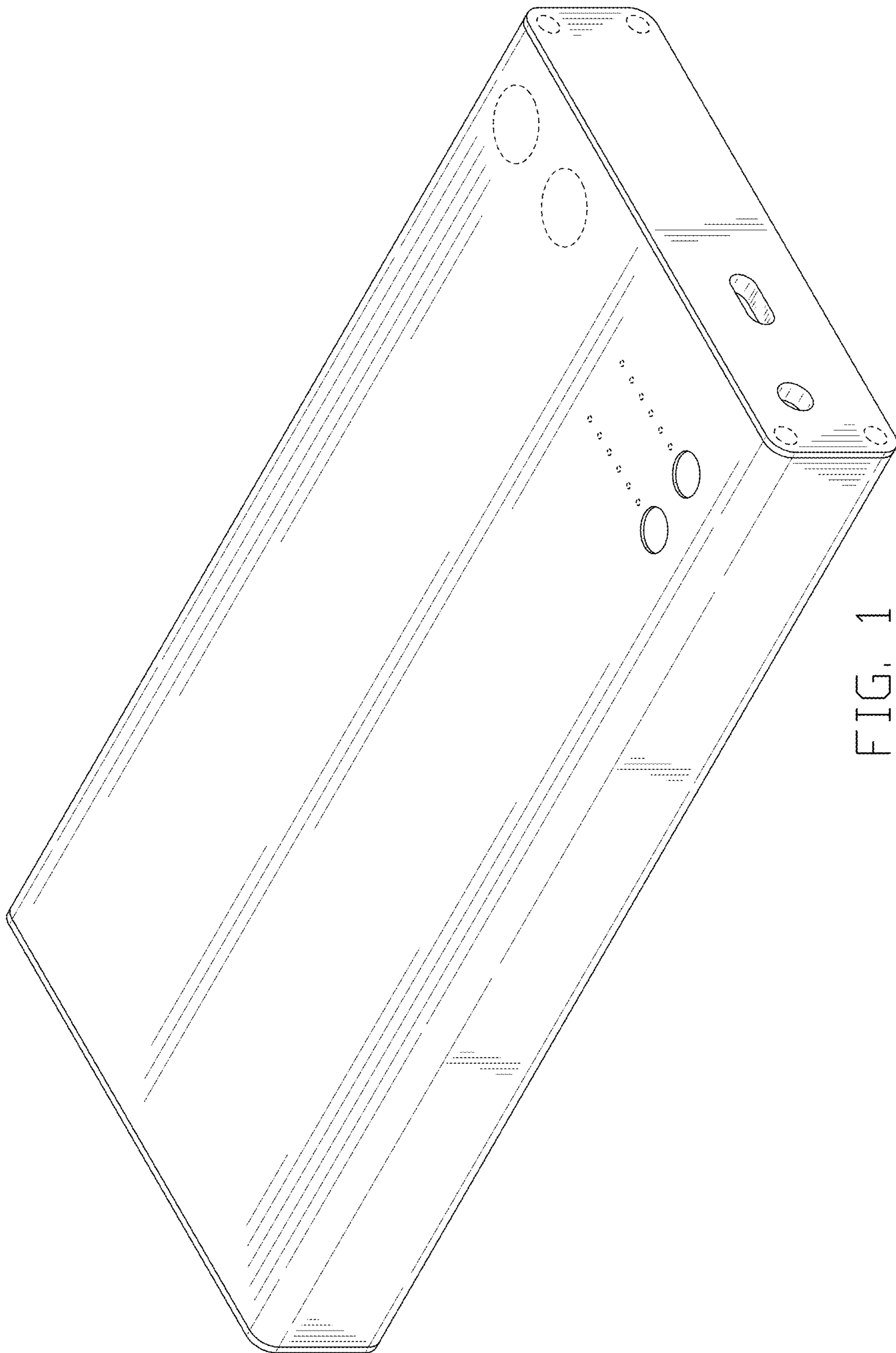
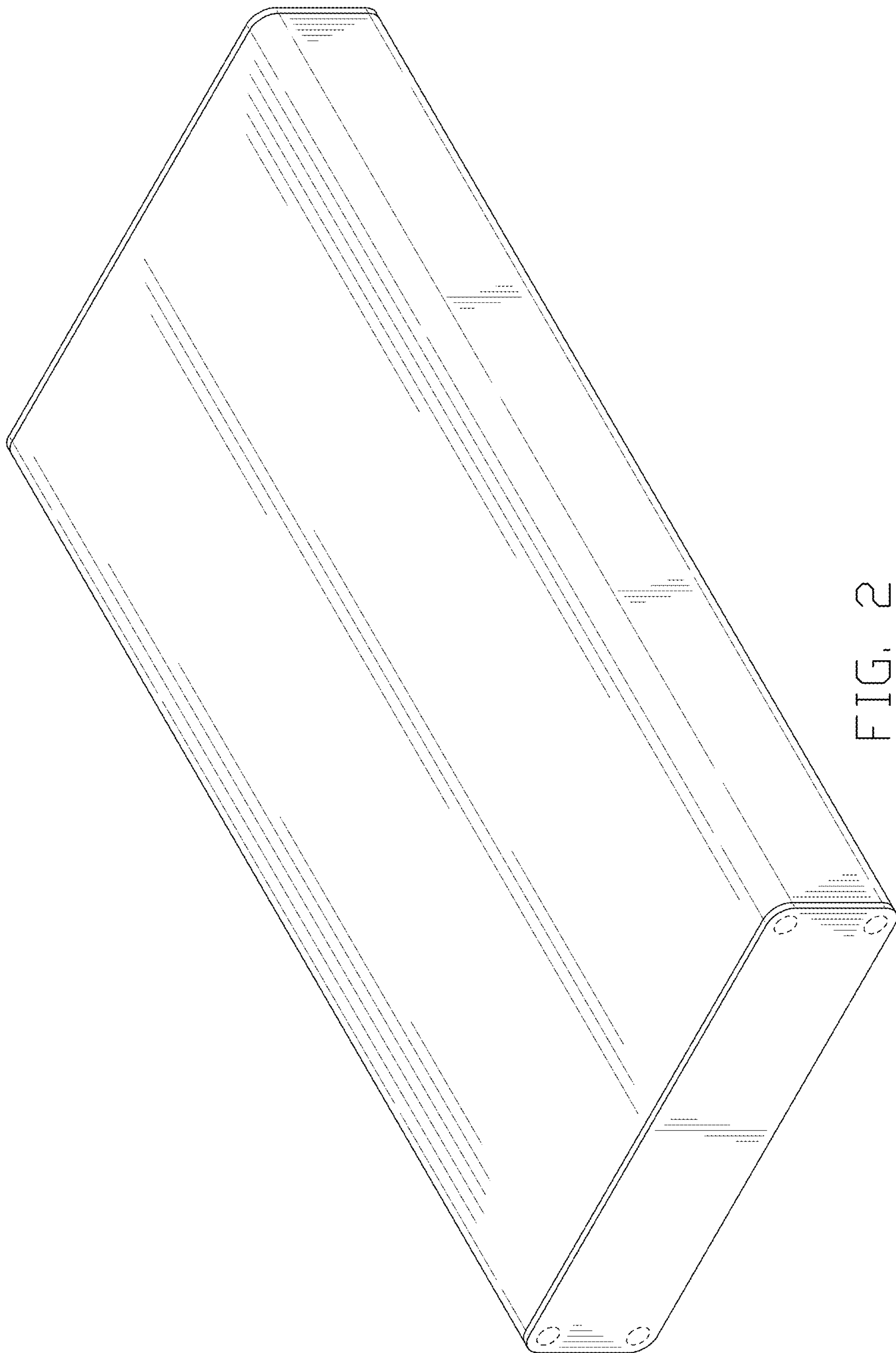


FIG. 1





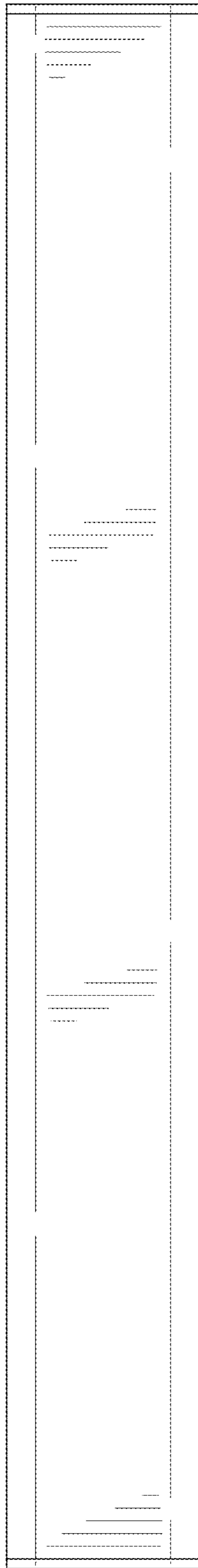


FIG. 3

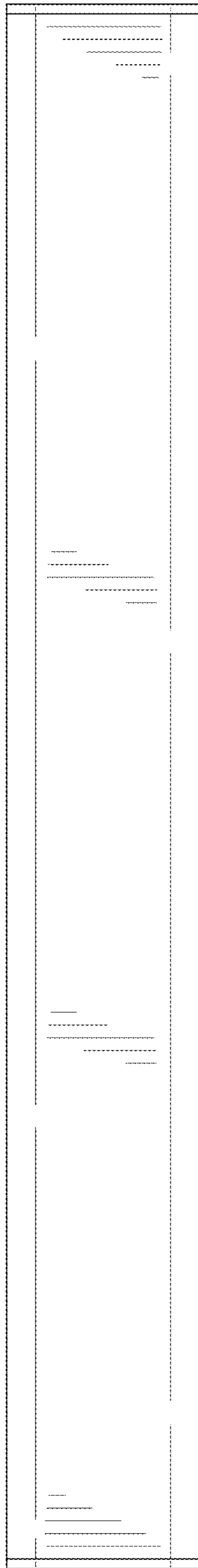


FIG. 4

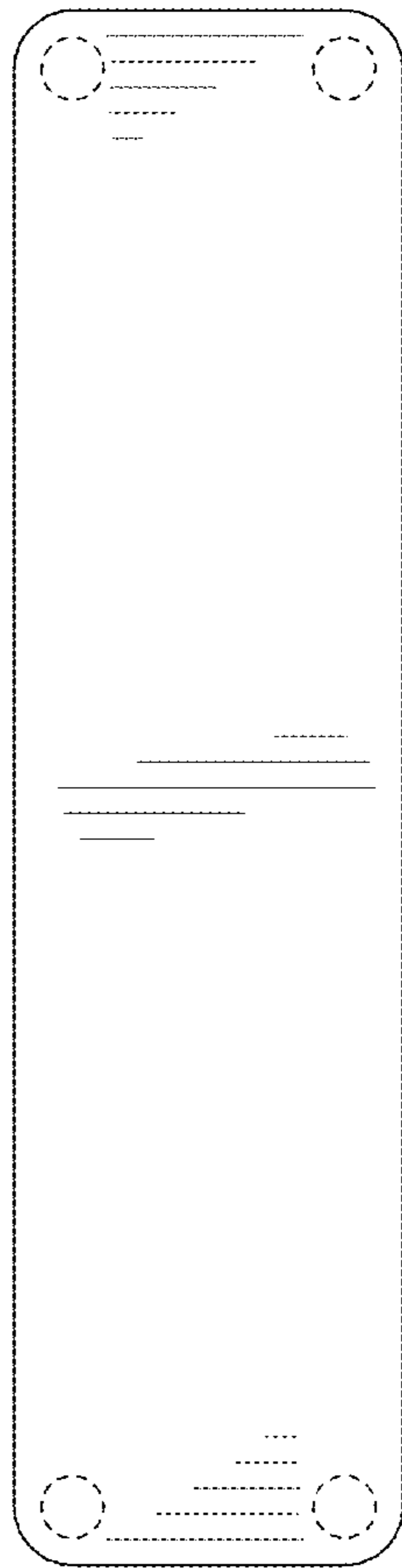


FIG. 5

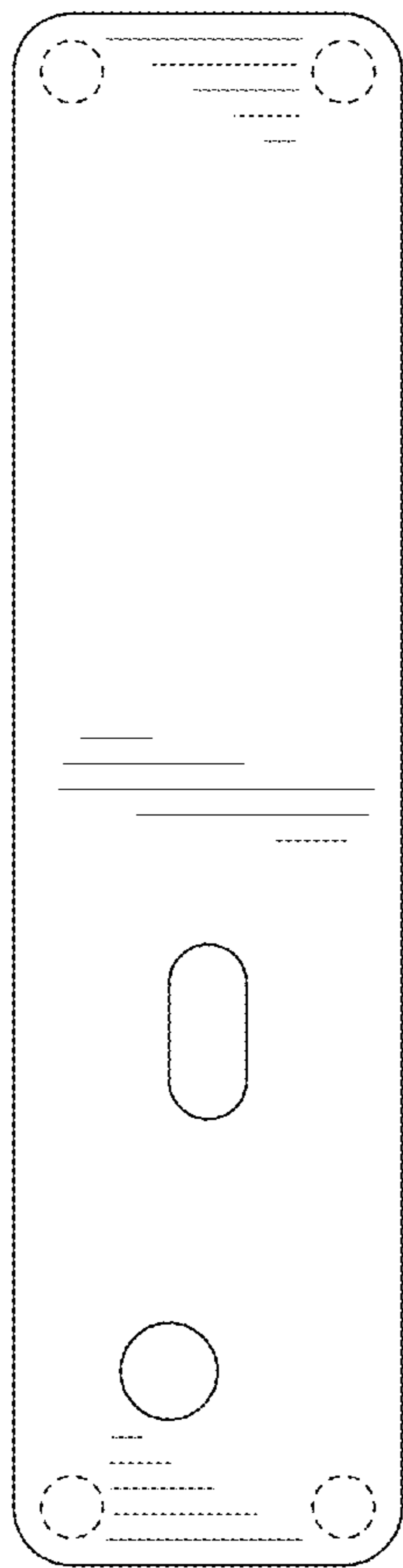


FIG. 6



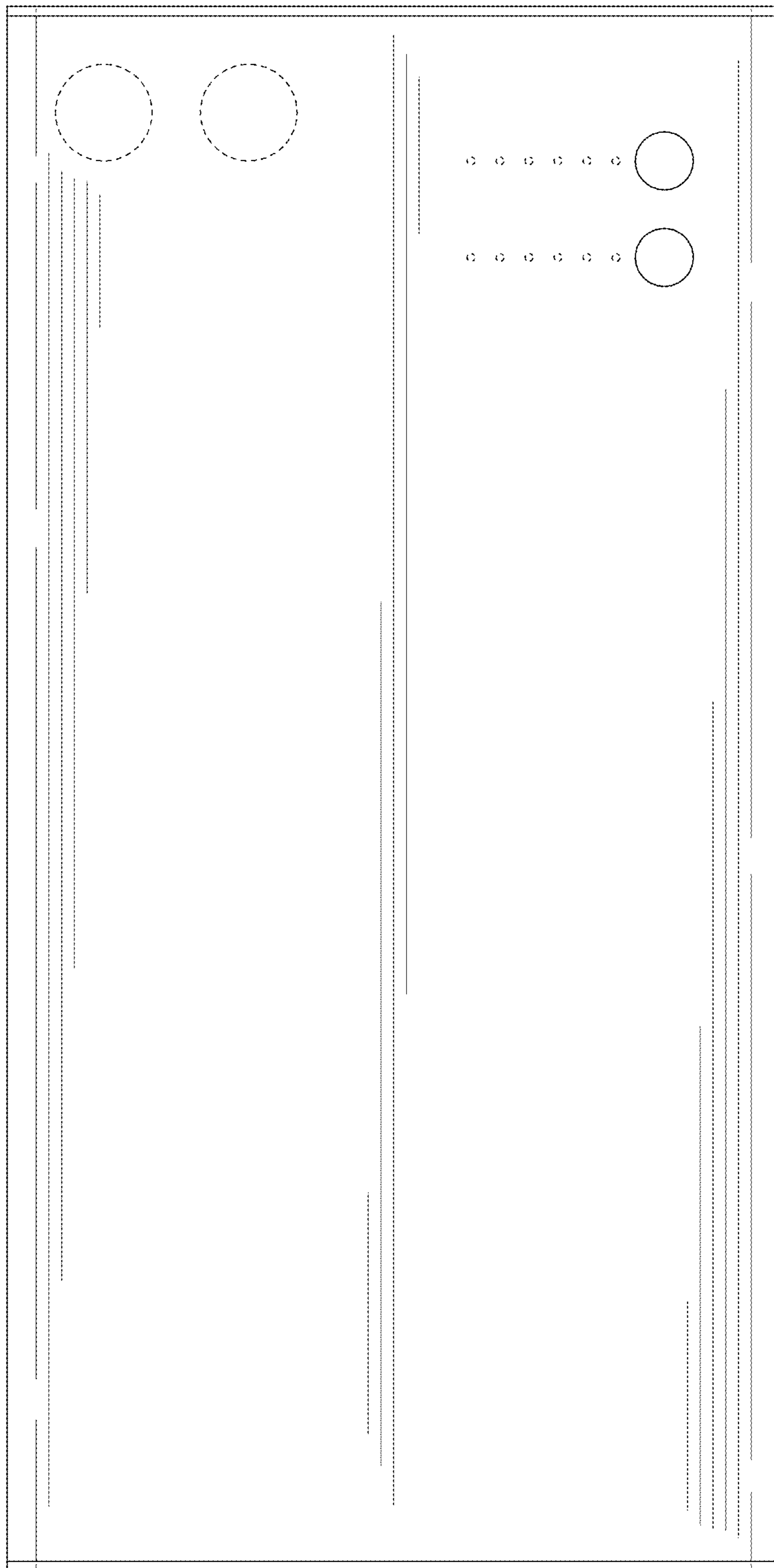


FIG. 7

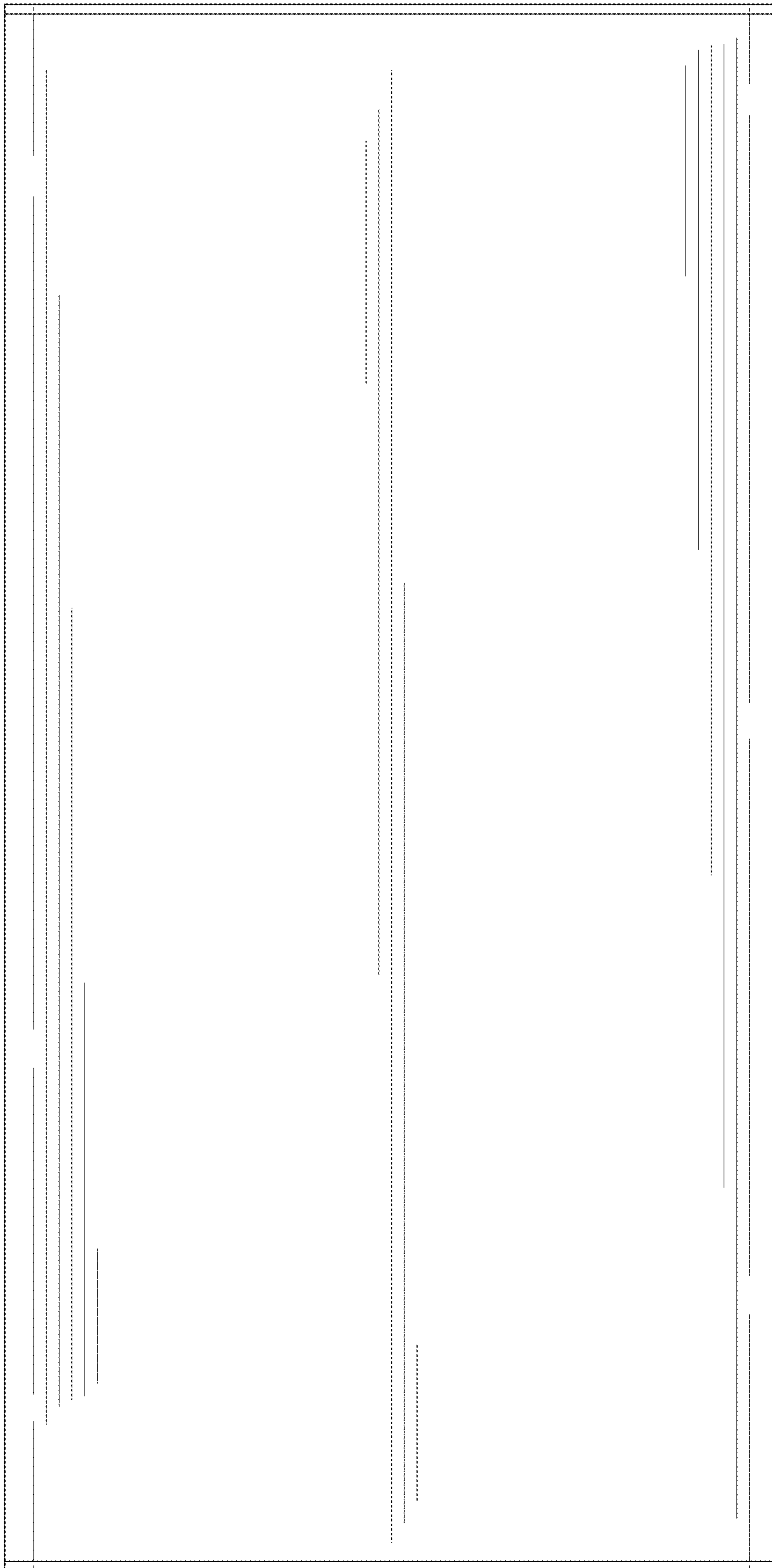


FIG. 8