



US00D981950S

(12) **United States Design Patent** (10) **Patent No.:** **US D981,950 S**
Warren (45) **Date of Patent:** **** Mar. 28, 2023**

(54) **BATTERY**

(71) Applicant: **TTi (Macao Commercial Offshore) Limited**, Macau (MO)

(72) Inventor: **Robert Warren**, Charlotte, NC (US)

(73) Assignee: **Techtronic Floor Care Technology Limited**, Tortola (VG)

(**) Term: **15 Years**

(21) Appl. No.: **29/681,705**

(22) Filed: **Feb. 27, 2019**

(51) **LOC (14) Cl.** **13-02**

(52) **U.S. Cl.**
USPC **D13/103**

(58) **Field of Classification Search**
USPC D13/102-110, 118, 119, 153, 154, 184, D13/199

CPC Y02E 60/10; Y02E 60/12; Y02E 60/122; Y02E 60/124; Y02E 60/50; H01M 2/02; H01M 2/022; H01M 2/0202; H01M 2/0207; H01M 2/0212; H01M 2/1061; H01M 2/1022; H01M 2/1055; H01M 2/1066; H01M 2/105; H01M 2/20; H01M 2/202; H01M 2/204; H01M 2/206; H01M 2200/30; H01M 2250/30; H01M 2250/40; H01M 10/44; H01M 10/46; H01M 10/465; H01M 10/482; H01M 10/4257; H01M 10/0436; H01M 10/48; H01M 10/6235; H02J 7/0034; H02J 7/0054; H02J 7/1423; H02J 7/00; H02J 7/0003; H02J 7/0011; H02J 7/0013; H02J 7/0055; H02J 7/0057; Y02T 10/7005; Y02T 10/705; Y02T 10/7088

See application file for complete search history.

(56) **References Cited**

U.S. PATENT DOCUMENTS

D481,672 S *	11/2003	Niwa	D13/103
D504,394 S *	4/2005	Cheung	D13/103
D530,270 S *	10/2006	Ozawa	D13/103
D544,436 S *	6/2007	Kawahara	D13/103
D553,562 S *	10/2007	Okada	D13/103
D555,086 S *	11/2007	Zhang	D13/103
D568,239 S *	5/2008	Okada	D13/103
D579,868 S *	11/2008	Harrison	D13/103
D588,986 S *	3/2009	Zhang	D13/110
D589,439 S *	3/2009	Van Wambeke	D13/103
D589,440 S *	3/2009	Van Wambeke	D13/103
D589,441 S *	3/2009	Van Wambeke	D13/103
D593,944 S *	6/2009	Smith	D13/119
D597,933 S *	8/2009	Aglassinger	D13/103
D597,934 S *	8/2009	Aglassinger	D13/103

(Continued)

Primary Examiner — Christy Nemeth

(74) *Attorney, Agent, or Firm* — Michael Best & Friedrich LLP

(57) **CLAIM**

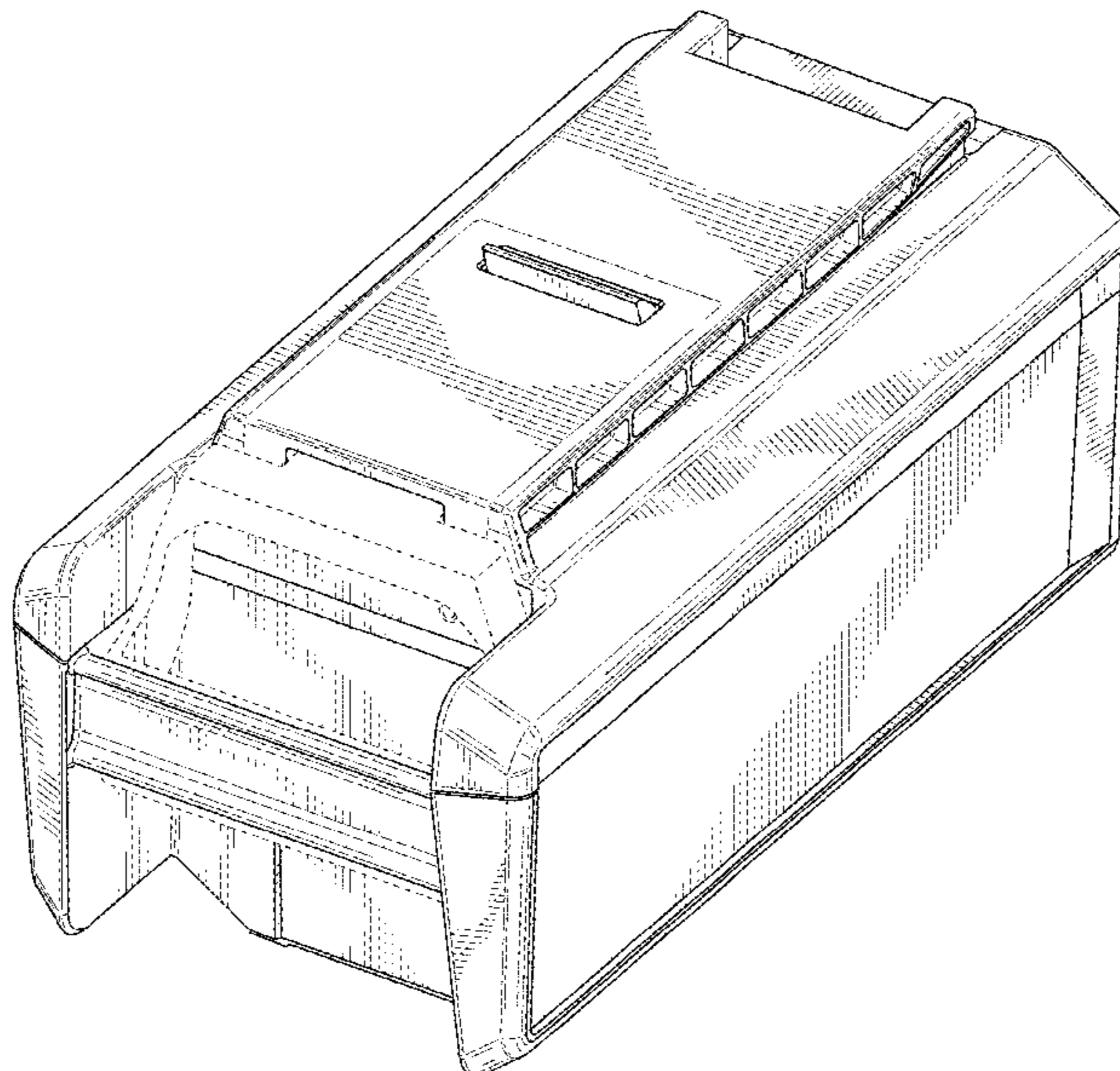
The ornamental design for a battery, as shown and described.

DESCRIPTION

FIG. 1 is a perspective view of a battery of my new design. FIG. 2 is a front side view of the battery of FIG. 1. FIG. 3 is a back side view of the battery of FIG. 1. FIG. 4 is a right side view of the battery of FIG. 1. FIG. 5 is a left side view of the battery of FIG. 1. FIG. 6 is a top side view of the battery of FIG. 1. FIG. 7 is a bottom side view of the battery of FIG. 1; and, FIG. 8 is a cross-sectional view of the battery taken along line 8-8 in FIG. 6.

The dash-dash broken lines in the drawings are for the purpose of illustrating portions of the article that form no part of the claimed design. The dash-dot broken lines are for the purpose of illustrating a boundary and form no part of the claimed design.

1 Claim, 8 Drawing Sheets



(56)

References Cited

U.S. PATENT DOCUMENTS

D597,935 S *	8/2009	Aglassinger	D13/103	D890,692 S *	7/2020	Elder	D13/103
D598,373 S *	8/2009	Aglassinger	D13/103	D891,363 S *	7/2020	Roberts	D13/103
D604,695 S *	11/2009	Aglassinger	D13/103	D893,411 S *	8/2020	Roberts	D13/103
D606,935 S *	12/2009	Murayama	D13/103	D893,413 S *	8/2020	Grulke	D13/103
D622,661 S *	8/2010	Yamada	D13/103	D894,118 S *	8/2020	Liu	D13/103
D633,036 S *	2/2011	Murray	D13/103	D894,120 S *	8/2020	Timm	D13/103
D639,730 S *	6/2011	Kawase	D13/103	D894,827 S *	9/2020	Watson	D13/103
D640,190 S *	6/2011	Aglassinger	D13/103	D898,662 S *	10/2020	Waldron	D13/103
D640,196 S *	6/2011	Shuang	D13/103	D902,147 S *	11/2020	Stray	D13/103
D640,197 S *	6/2011	Park	D13/103	D909,290 S *	2/2021	Hasenmayer	D13/103
D640,628 S *	6/2011	Lopano	D13/103	D911,267 S *	2/2021	Matteo	D13/103
D640,975 S *	7/2011	Okuda	D13/103	D911,268 S *	2/2021	Matteo	D13/103
D643,809 S *	8/2011	Okuda	D13/103	D911,269 S *	2/2021	Matteo	D13/103
D658,578 S *	5/2012	Davis	D13/103	D911,922 S *	3/2021	Watson	D13/103
D668,219 S *	10/2012	Zhao	D13/107	D911,931 S *	3/2021	Li	D13/103
D680,064 S *	4/2013	Tirone	D13/103	D919,560 S *	5/2021	Taniguchi	D13/103
D682,192 S *	5/2013	Corbin	D13/103	D922,939 S *	6/2021	Ye	D13/103
D682,193 S *	5/2013	Corbin	D13/103	D922,940 S *	6/2021	Ye	D13/103
D682,194 S *	5/2013	Jiang	D13/103	D924,791 S *	7/2021	Yrad, Jr.	D13/103
D684,528 S *	6/2013	Murray	D13/103	D924,793 S *	7/2021	Qiu	D13/103
D685,730 S *	7/2013	Hamm	D13/103	D924,794 S *	7/2021	Kuang	D13/103
D692,380 S *	10/2013	Tirone	D13/119	D924,795 S *	7/2021	Zhong	D13/103
D699,180 S *	2/2014	Sweere	D13/103	D925,442 S *	7/2021	Howell	D13/103
D710,794 S *	8/2014	Busschaert	D13/103	D926,674 S *	8/2021	Willey	D13/103
D712,826 S *	9/2014	Marino	D13/103	D929,316 S *	8/2021	Azuma	D13/103
D718,705 S *	12/2014	Naksen	D13/103	11,095,136 B2 *	8/2021	Geng	H02J 7/02
D770,377 S *	11/2016	Kondo	D13/103	D931,199 S *	9/2021	Gallagher	D13/103
D780,686 S *	3/2017	Glasow	D13/103	D931,801 S *	9/2021	Timm	D13/103
D780,687 S *	3/2017	Taniguchi	D13/103	11,126,804 B2 *	9/2021	Huggins	H05K 5/0017
D780,688 S *	3/2017	Elder	D13/103	D935,996 S *	11/2021	Okuda	D13/103
D785,562 S *	5/2017	Cooper	D13/103	D937,760 S *	12/2021	Chandrasekharan	D13/103
D797,661 S *	9/2017	Elder	D13/103	D937,761 S *	12/2021	Chandrasekharan	D13/103
D800,650 S *	10/2017	Itoh	D13/103	D940,648 S *	1/2022	Taylor	D13/103
D800,656 S *	10/2017	Marino	D13/119	2016/0072106 A1 *	3/2016	Baumgartner	H02J 7/00 320/113
D801,917 S *	11/2017	Jiang	D13/103	2016/0240901 A1 *	8/2016	Kondo	H01M 10/6235
D801,919 S *	11/2017	Elder	D13/103	2016/0241065 A1 *	8/2016	Kondo	H01M 50/20
D803,777 S *	11/2017	Burchard	D13/103	2017/0012272 A1 *	1/2017	Naito	H01R 33/765
D812,555 S *	3/2018	Schoch	D13/103	2018/0069208 A1 *	3/2018	Rejman	H01M 50/24
D818,948 S *	5/2018	Waldron	D13/103	2018/0198101 A1 *	7/2018	Sheeks	H02J 7/0091
D819,562 S *	6/2018	Waldron	D13/103	2018/0198292 A1 *	7/2018	Lee	H01M 10/46
D826,149 S *	8/2018	Cooper	D13/103	2018/0198293 A1 *	7/2018	Osborne	H01M 10/441
D826,150 S *	8/2018	Cayon	D13/103	2019/0280501 A1 *	9/2019	Kondo	H02J 7/0063
D844,558 S *	4/2019	Taniguchi	D13/103	2019/0312242 A1 *	10/2019	Barton	B25F 5/02
D849,681 S *	5/2019	Howell	D13/103	2020/0127339 A1 *	4/2020	Nakano	H01M 50/247
D856,921 S *	8/2019	Lee	D13/103	2020/0176731 A1 *	6/2020	Taga	H01M 10/482
D858,432 S *	9/2019	Altenburger	D13/103	2020/0227695 A1 *	7/2020	Jones	H01M 10/4257
D862,382 S *	10/2019	Altenburger	D13/103	2020/0321576 A1 *	10/2020	Nagahama	H01M 50/20
D867,279 S *	11/2019	Altenburger	D13/103	2020/0350635 A1 *	11/2020	Counts	H01M 50/54
D876,340 S *	2/2020	Song	D13/103	2020/0395641 A1 *	12/2020	Suzuki	H01M 10/0463
D881,119 S *	4/2020	Elder	D13/103	2021/0083237 A1 *	3/2021	Cherry	B25F 5/02
D884,600 S *	5/2020	Zhou	D13/103	2021/0143506 A1 *	5/2021	Bhuiyan	H01M 50/24
D884,601 S *	5/2020	Zhou	D13/103	2021/0305661 A1 *	9/2021	Gyoda	H01M 10/486
D887,969 S *	6/2020	Howell	D13/103	2021/0328280 A1 *	10/2021	Cruise	H01M 50/284

* cited by examiner

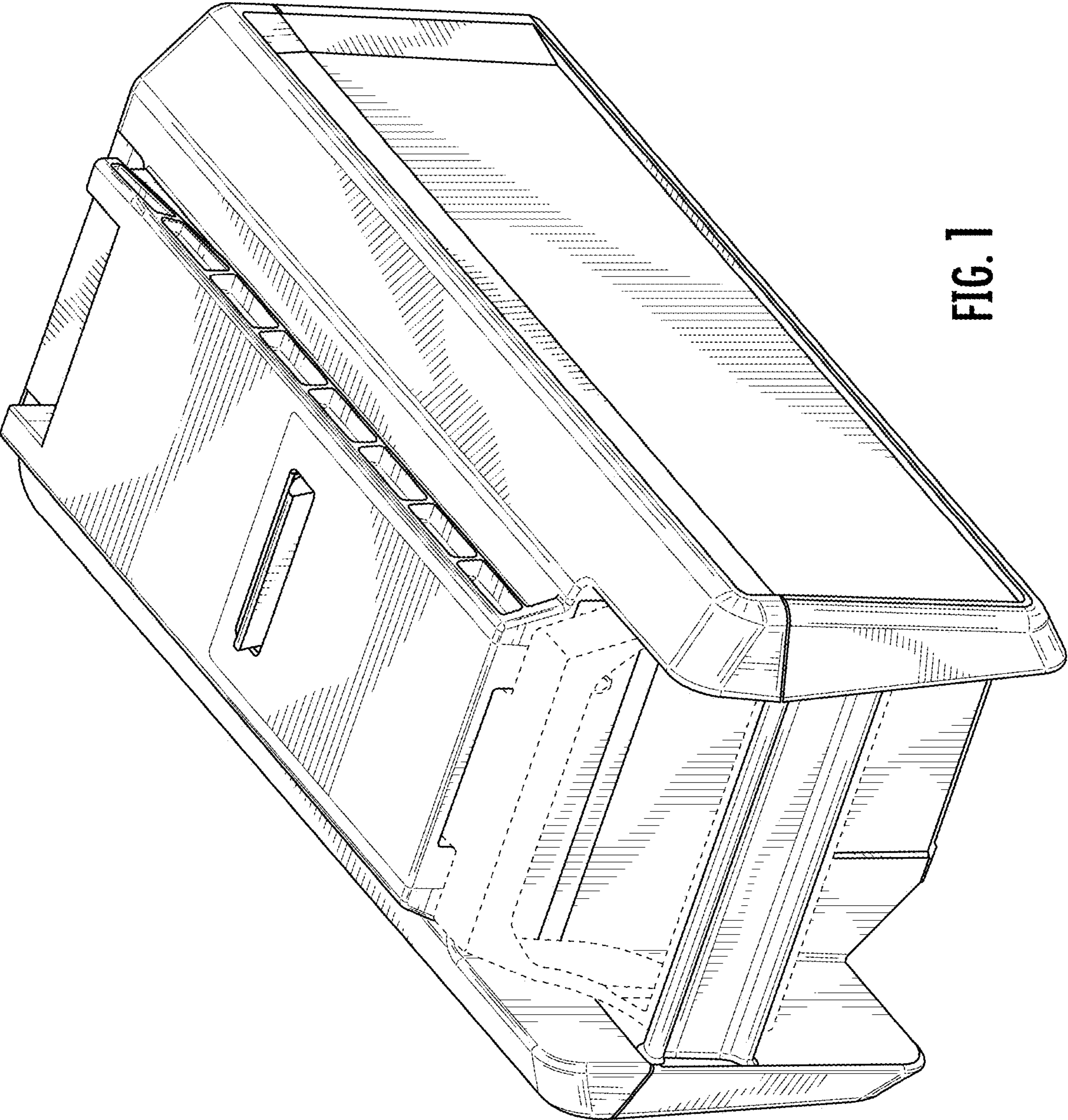


FIG. 1

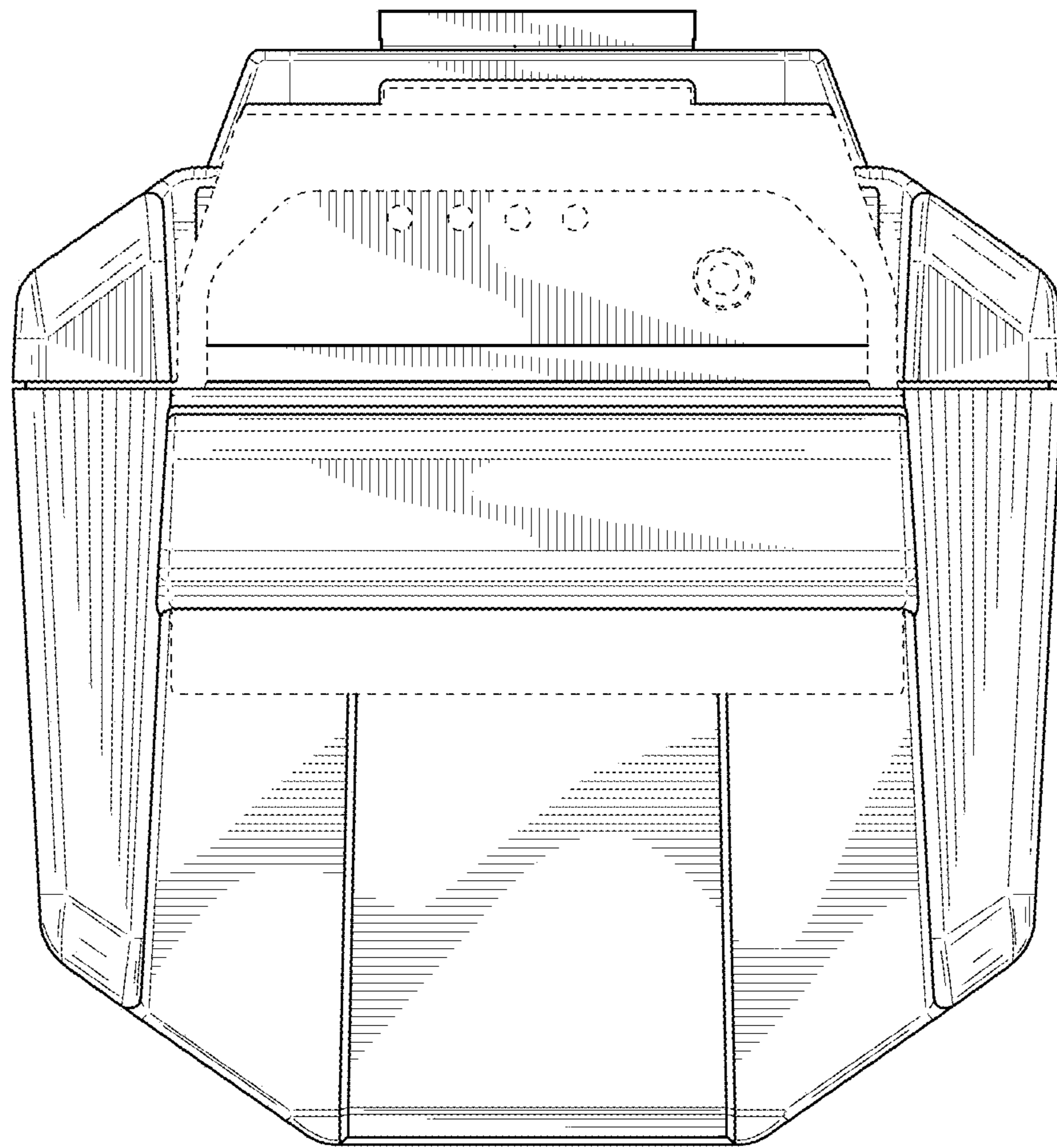


FIG. 2

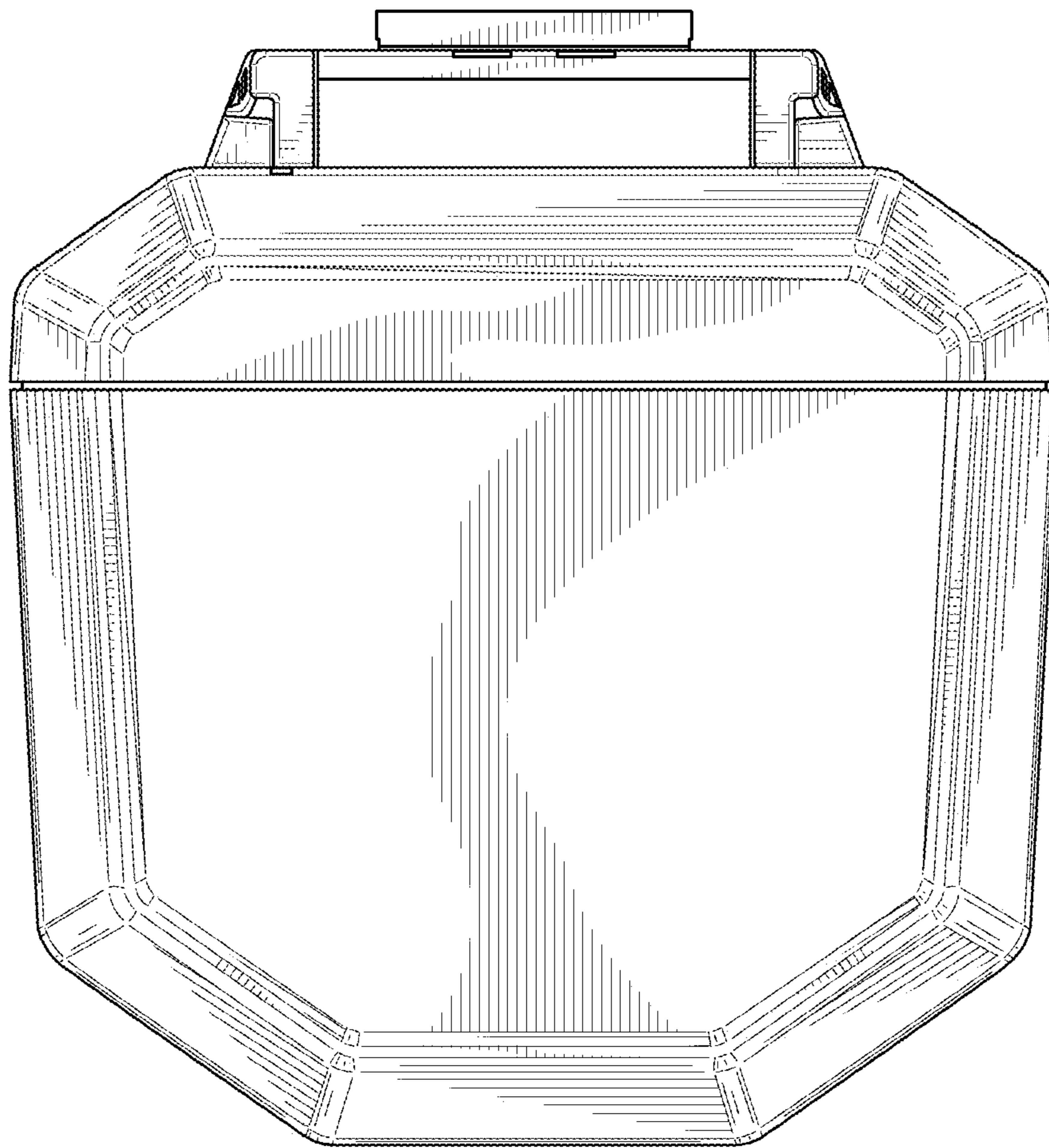


FIG. 3

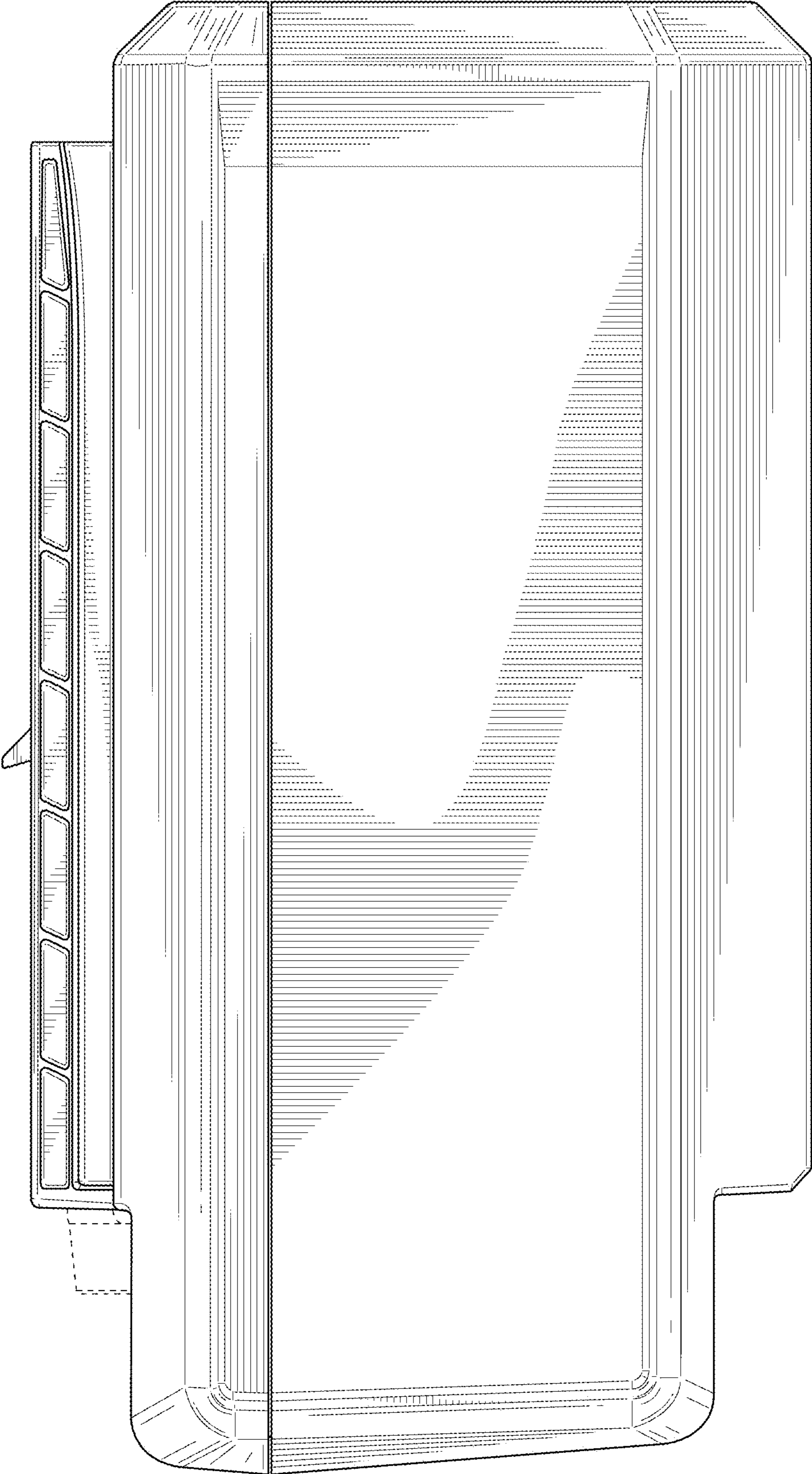


FIG. 4

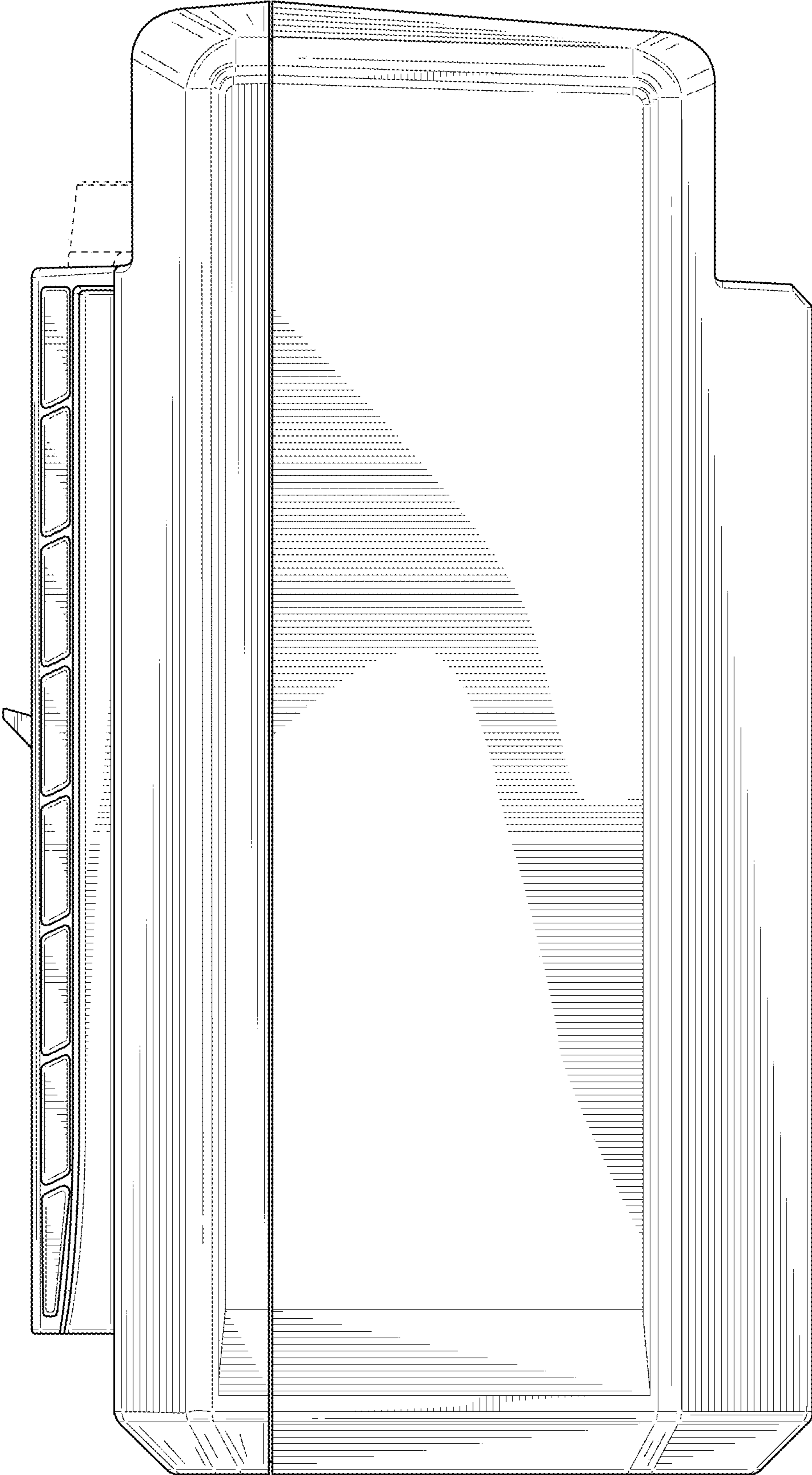


FIG. 5

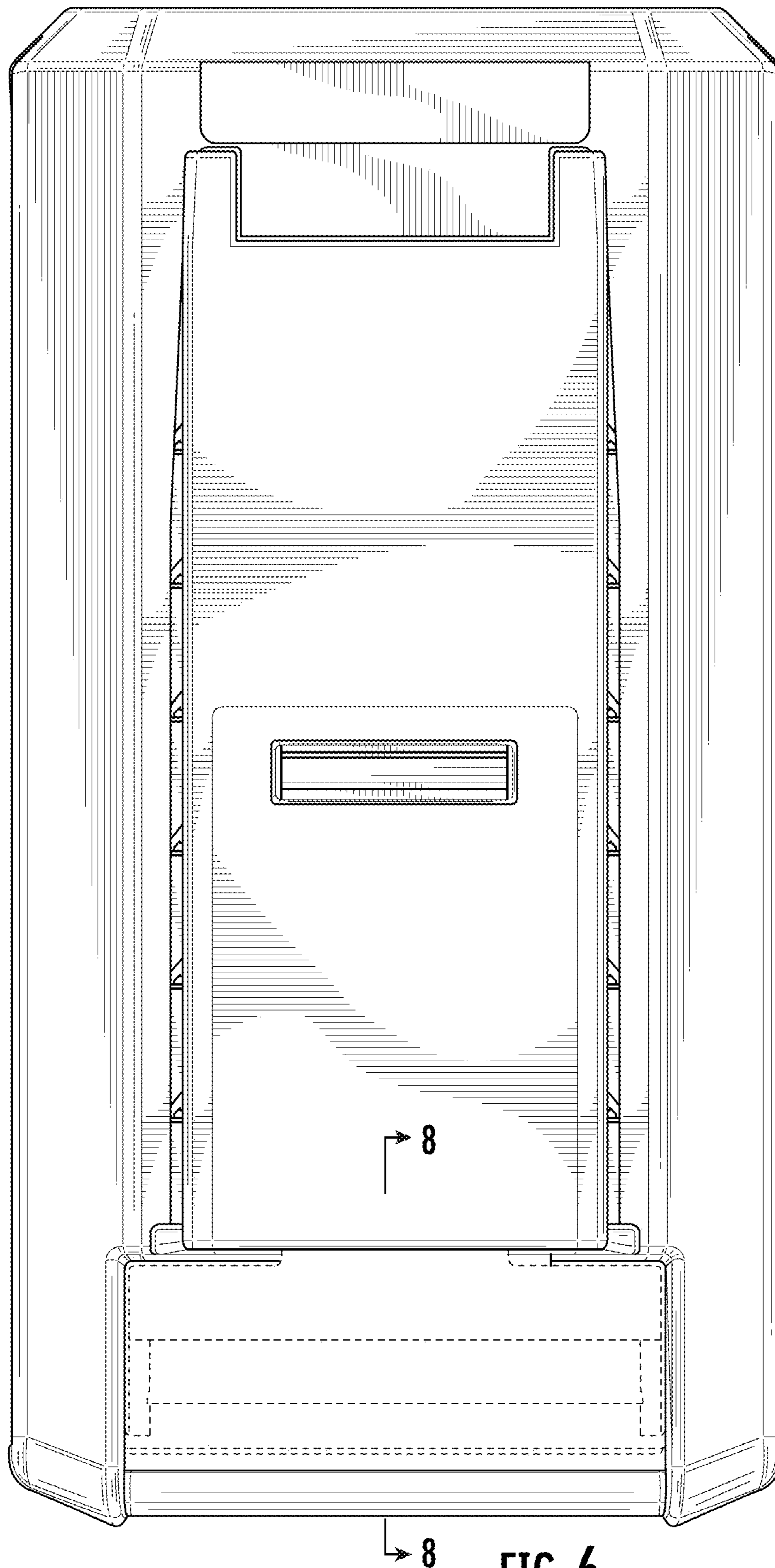


FIG. 6

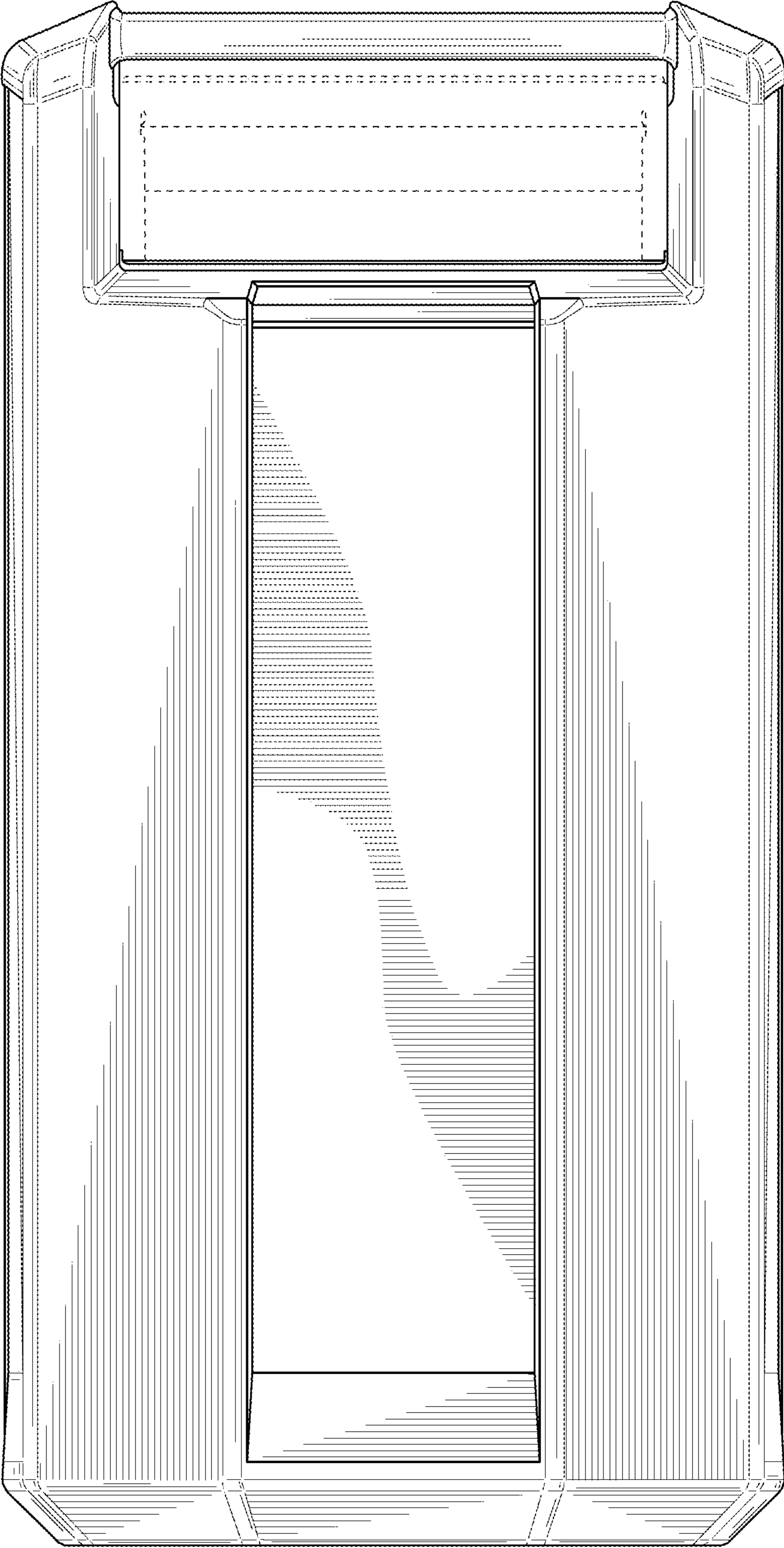


FIG. 7

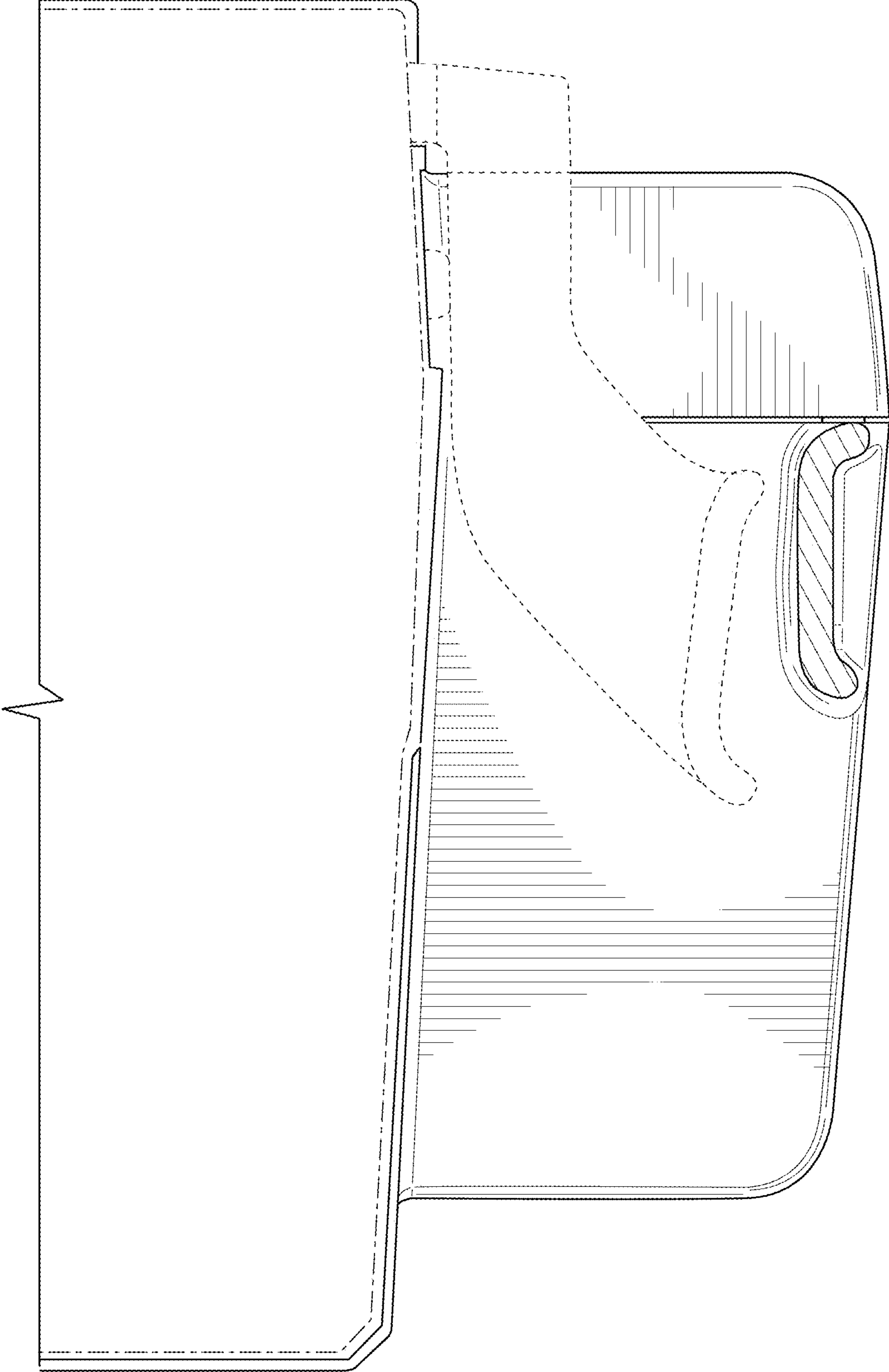


FIG. 8