



US00D981948S

(12) **United States Design Patent** (10) **Patent No.:** **US D981,948 S**
Li (45) **Date of Patent:** **** Mar. 28, 2023**

(54) **SOLAR ANIMAL REPELLER**
(71) Applicant: **Jianhui Li**, Shenzhen (CN)
(72) Inventor: **Jianhui Li**, Shenzhen (CN)
(73) Assignee: **Jianhui Li**, Shenzhen (CN)
(**) Term: **15 Years**

D641,897 S * 7/2011 Weiser D26/26
8,281,747 B1 * 10/2012 Few A01K 15/023
119/719
D697,164 S * 1/2014 Jan D22/120
D823,424 S * 7/2018 Wang D22/120
D834,515 S * 11/2018 Zhang D13/102
D869,598 S * 12/2019 Gu D22/120
D878,287 S * 3/2020 Shi D13/102
2012/0206997 A1 * 8/2012 Krause A01M 29/16
367/139

(21) Appl. No.: **29/784,735**
(22) Filed: **May 21, 2021**
(51) **LOC (14) Cl.** **13-02**
(52) **U.S. Cl.**
USPC **D13/102; D22/120**
(58) **Field of Classification Search**
USPC D13/101, 102, 110, 199; D22/119, 120;
D26/26, 68
CPC A01M 29/12; A01M 29/16; A01M 29/18;
A01M 17/002; H01L 31/042; H01L
31/045; H01L 31/048; H01L 31/052;
H02S 40/34; A01K 15/023
See application file for complete search history.

* cited by examiner

Primary Examiner — Derrick E Holland
(74) *Attorney, Agent, or Firm* — Nitin Kaushik

(57) **CLAIM**

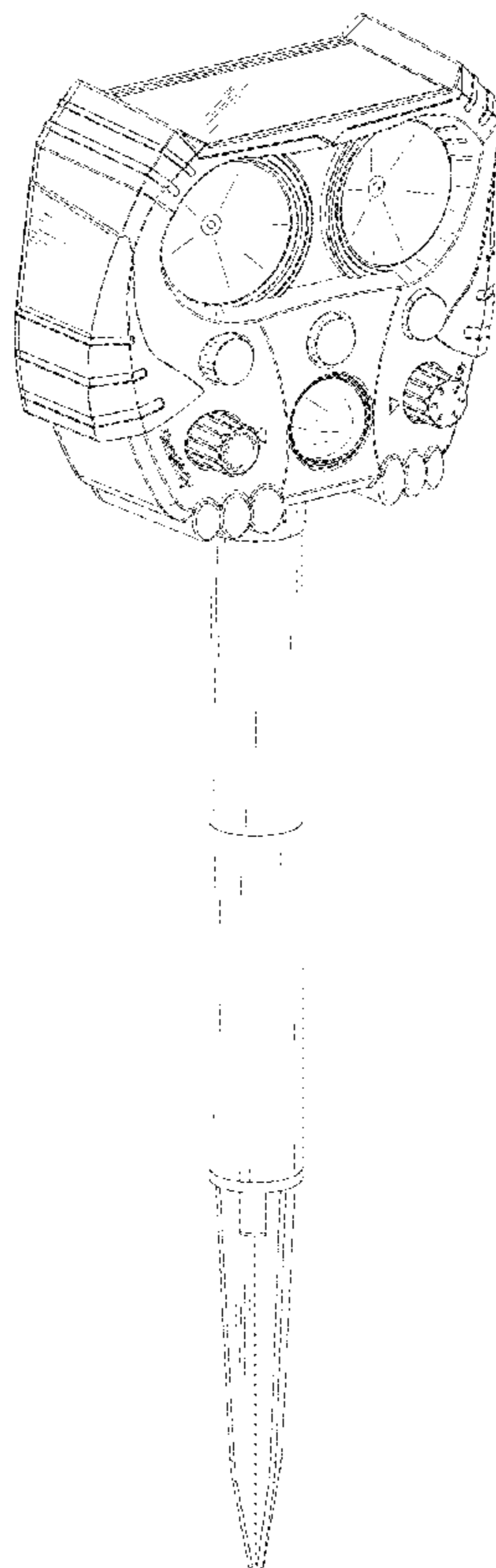
The ornamental design for a solar animal repeller, as shown and described.

DESCRIPTION

FIG. 1 is a front elevational view of a solar animal repeller showing my new design;
FIG. 2 is a rear elevational view thereof;
FIG. 3 is a left side elevational view thereof;
FIG. 4 is a right side elevational view thereof;
FIG. 5 is a top plan view thereof;
FIG. 6 is a bottom plan view thereof; and,
FIG. 7 is a perspective view thereof.
The broken lines in the drawings depict portions of the solar animal repeller that form no part of the claimed design.

(56) **References Cited**
U.S. PATENT DOCUMENTS
6,134,827 A * 10/2000 Jan A01M 29/16
43/124
D639,893 S * 6/2011 Feuerstein D22/120
D640,810 S * 6/2011 Weiser D26/26

1 Claim, 7 Drawing Sheets



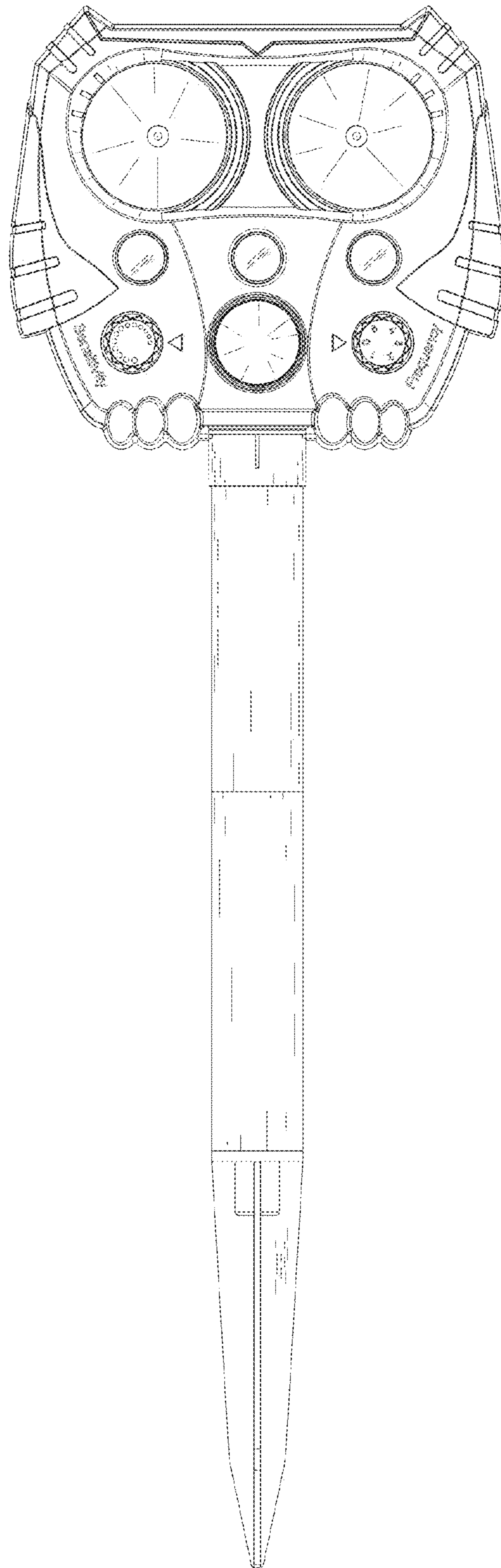


FIG. 1

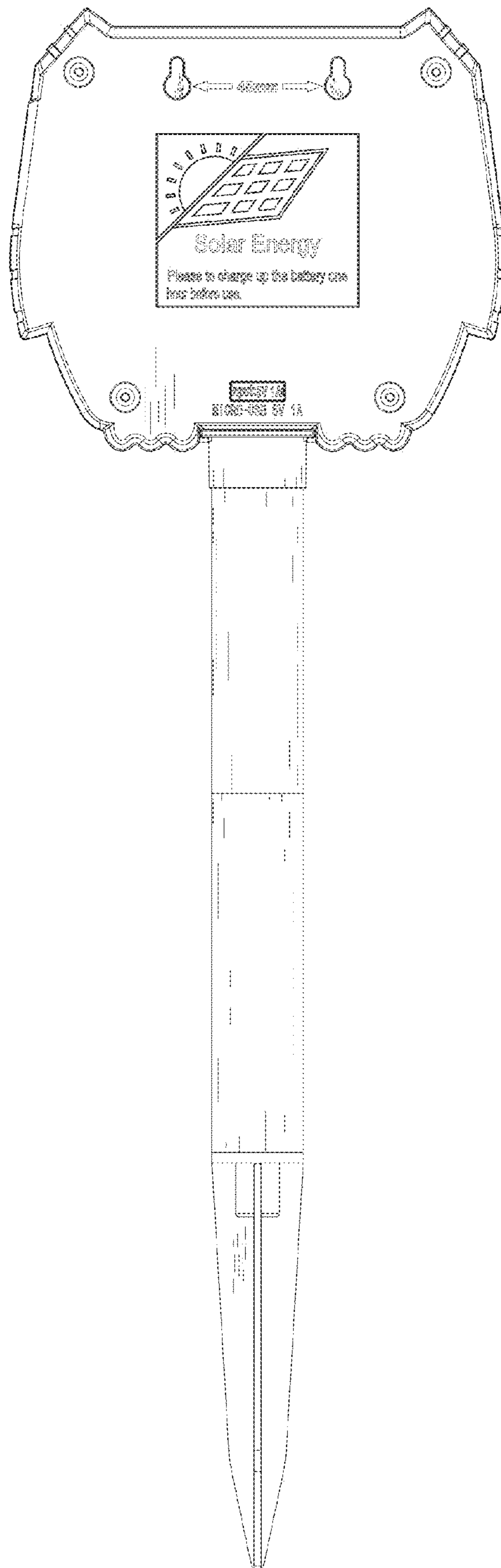


FIG. 2

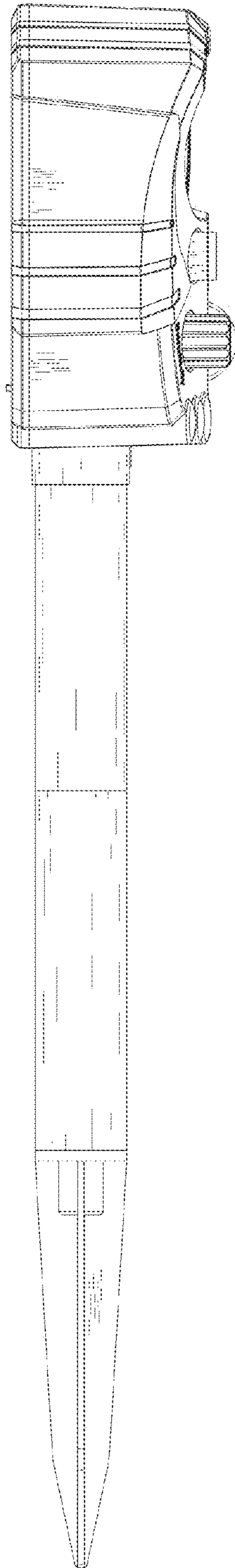


FIG. 3

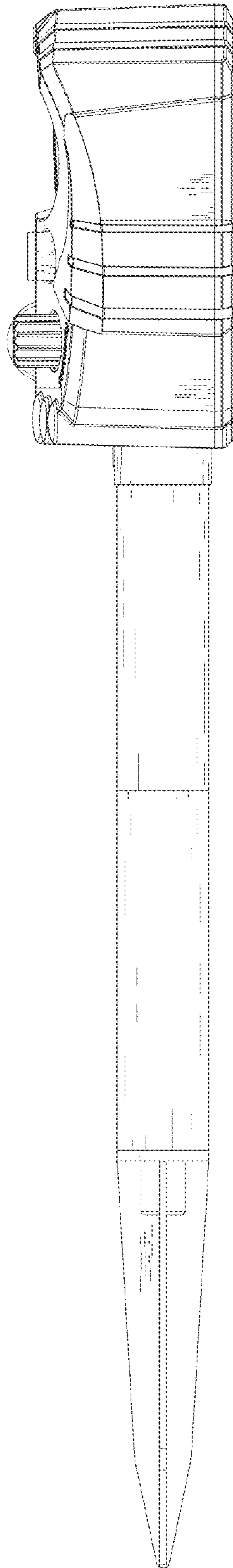


FIG. 4

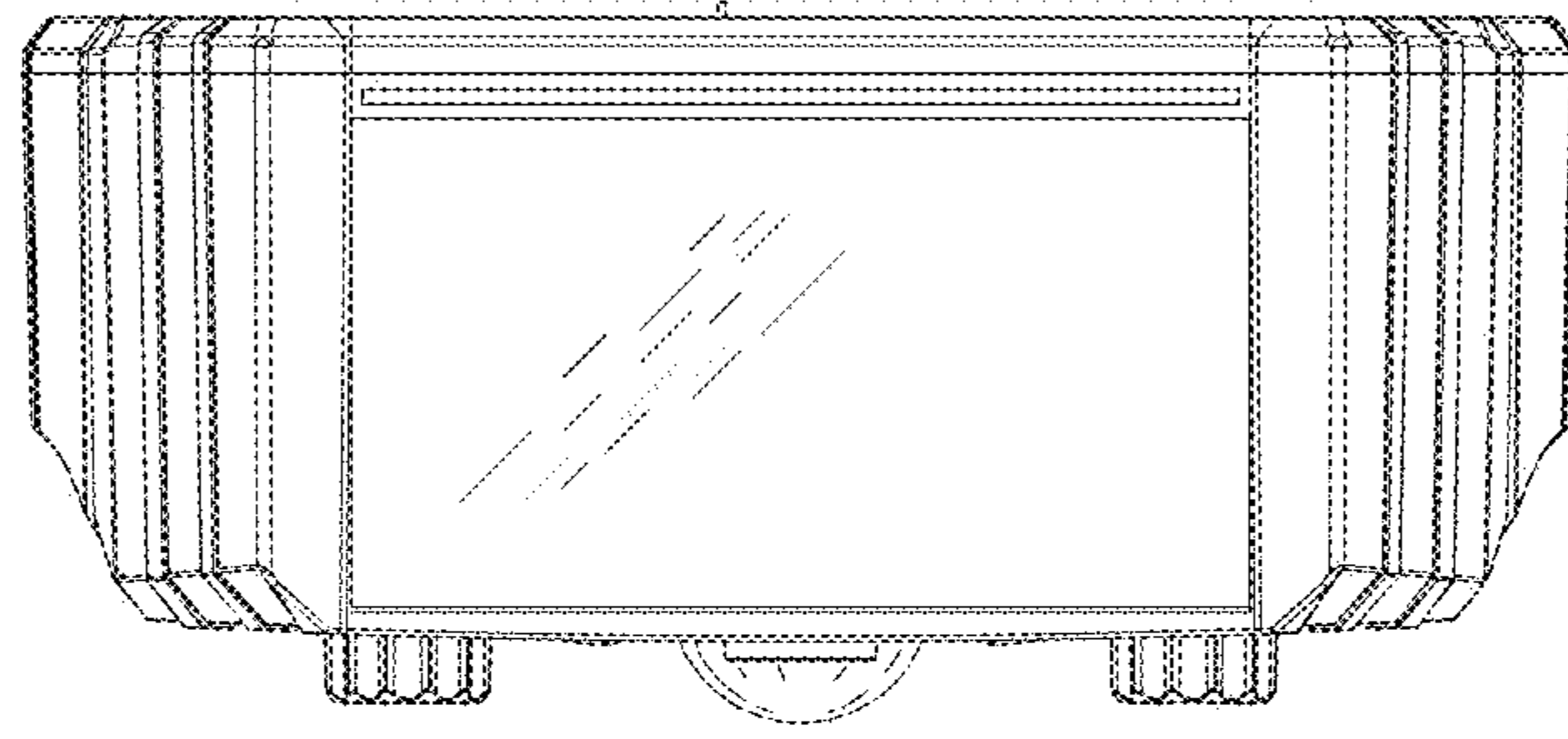


FIG. 5

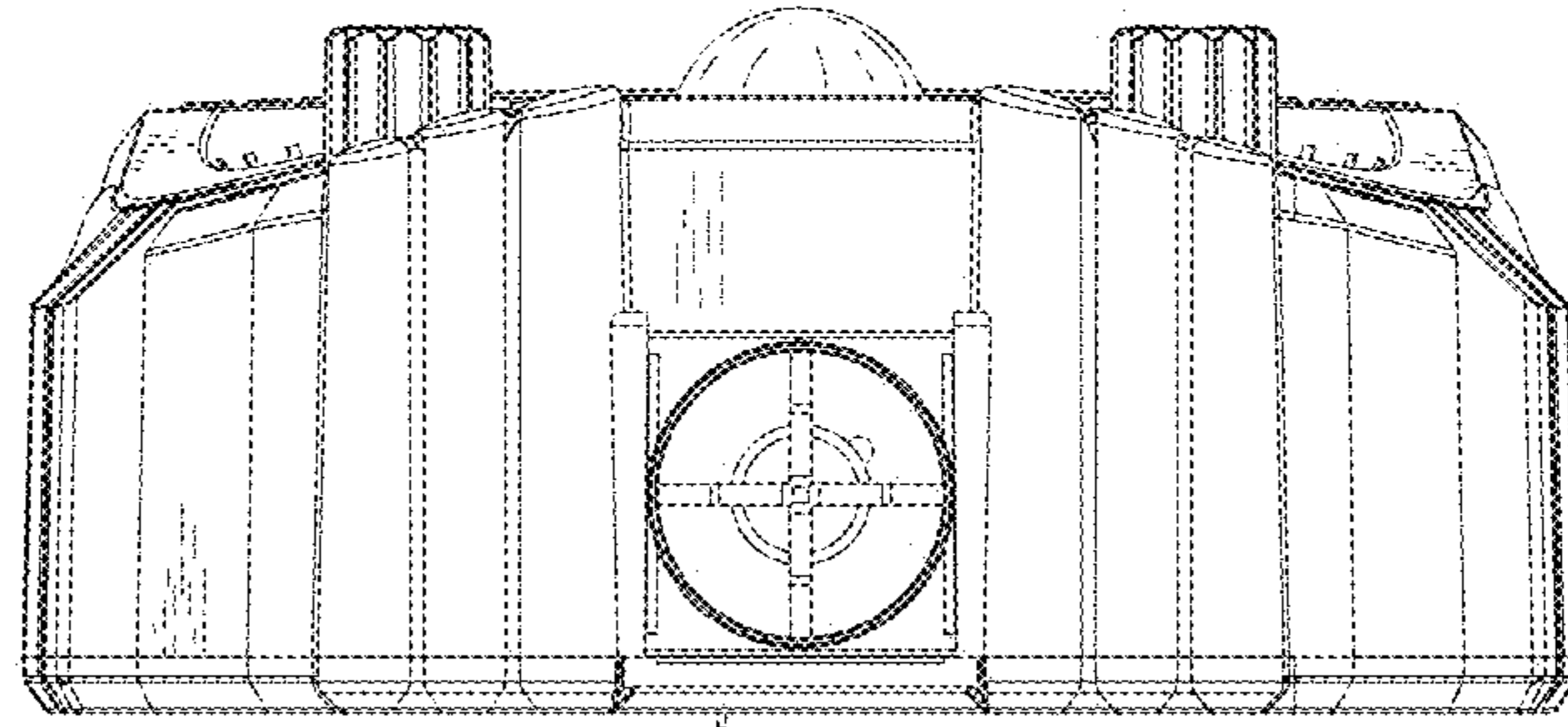


FIG. 6

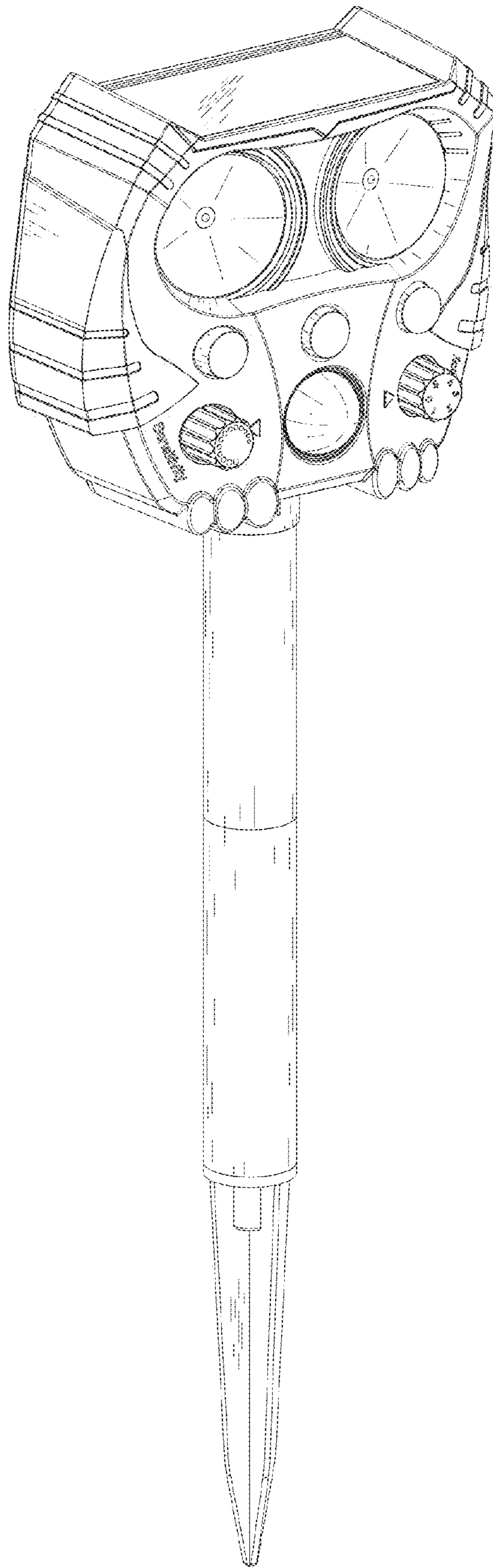


FIG. 7