



US00D981946S

(12) **United States Design Patent**  
**Xie**

(10) **Patent No.:** **US D981,946 S**  
(45) **Date of Patent:** **\*\* Mar. 28, 2023**

(54) **SOLAR ANIMAL REPELLER**

(71) Applicant: **Cuicui Xie**, Heze (CN)

(72) Inventor: **Cuicui Xie**, Heze (CN)

(73) Assignee: **Cuicui Xie**, Heze (CN)

(\*\*) Term: **15 Years**

(21) Appl. No.: **29/784,714**

(22) Filed: **May 20, 2021**

(51) **LOC (14) Cl.** ..... **13-02**

(52) **U.S. Cl.**  
USPC ..... **D13/102; D22/120**

(58) **Field of Classification Search**  
USPC ..... D13/101, 102, 110, 199; D22/119, 120;  
D26/26, 68  
CPC ..... A01M 29/12; A01M 29/16; A01M 29/18;  
A01M 17/002; H01L 31/042; H01L  
31/045; H01L 31/048; H01L 31/052;  
H02S 40/34; A01K 15/023  
See application file for complete search history.

(56) **References Cited**

**U.S. PATENT DOCUMENTS**

D469,148 S \* 1/2003 Levine ..... D22/120  
D639,893 S \* 6/2011 Feuerstein ..... D22/120

D641,897 S \* 7/2011 Weiser ..... D26/26  
8,281,747 B1 \* 10/2012 Few ..... A01K 15/023  
119/719  
D681,769 S \* 5/2013 Jan ..... D22/120  
D693,900 S \* 11/2013 Jan ..... D22/120  
D723,654 S \* 3/2015 Liu ..... D22/120  
D768,806 S \* 10/2016 Wu ..... D22/120  
D834,515 S \* 11/2018 Zhang ..... D13/102  
D878,287 S \* 3/2020 Shi ..... D13/102

\* cited by examiner

*Primary Examiner* — Derrick E Holland

(74) *Attorney, Agent, or Firm* — Nitin Kaushik

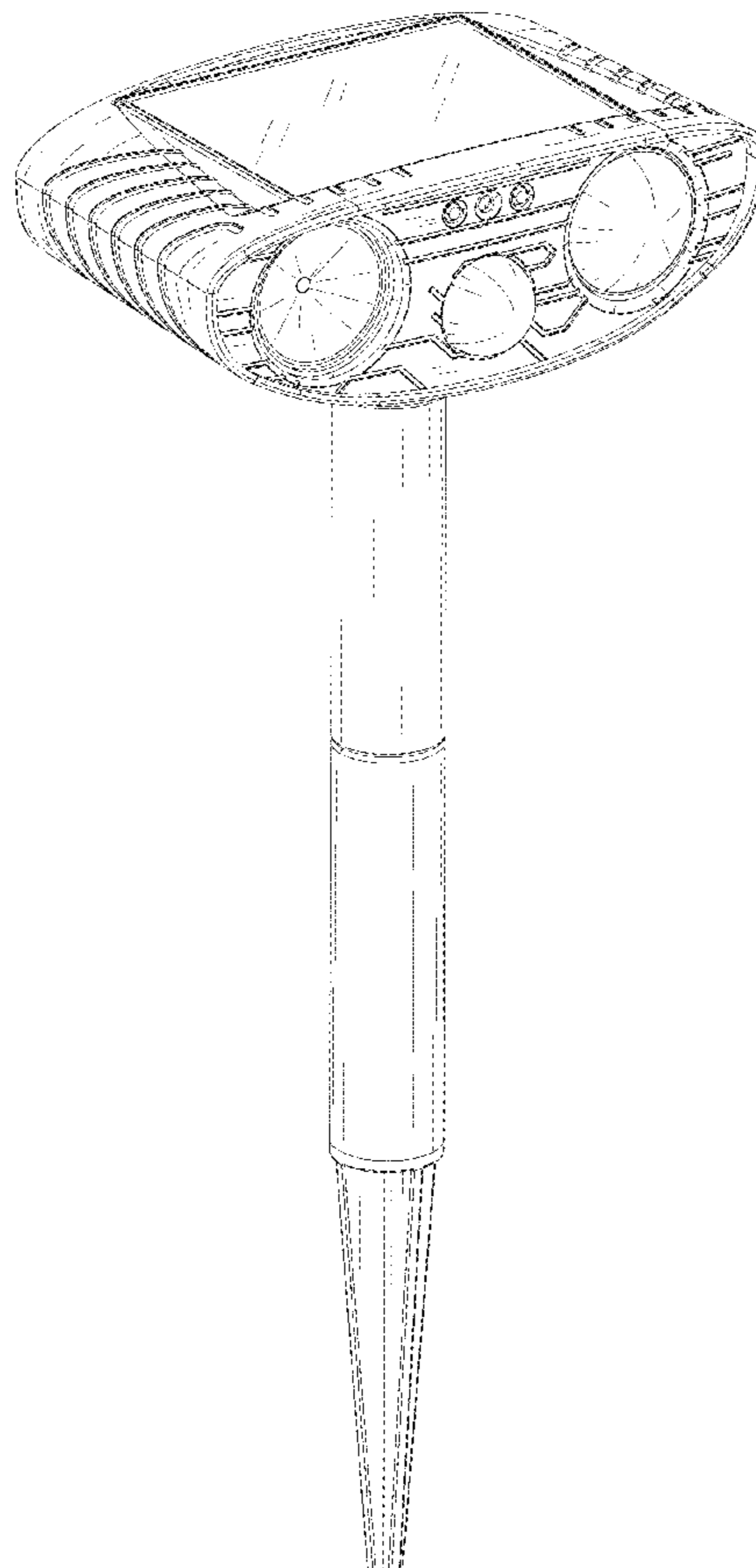
(57) **CLAIM**

The ornamental design for a solar animal repeller, as shown and described.

**DESCRIPTION**

FIG. 1 is a front elevational view of a solar animal repeller showing my new design;  
FIG. 2 is a rear elevational view thereof;  
FIG. 3 is a left side elevational view thereof;  
FIG. 4 is a right side elevational view thereof;  
FIG. 5 is a top plan view thereof;  
FIG. 6 is a bottom plan view thereof;  
FIG. 7 is a perspective view thereof; and,  
FIG. 8 is another perspective view thereof.  
The broken lines in the drawings depict portions of the solar animal repeller that form no part of the claimed design.

**1 Claim, 8 Drawing Sheets**



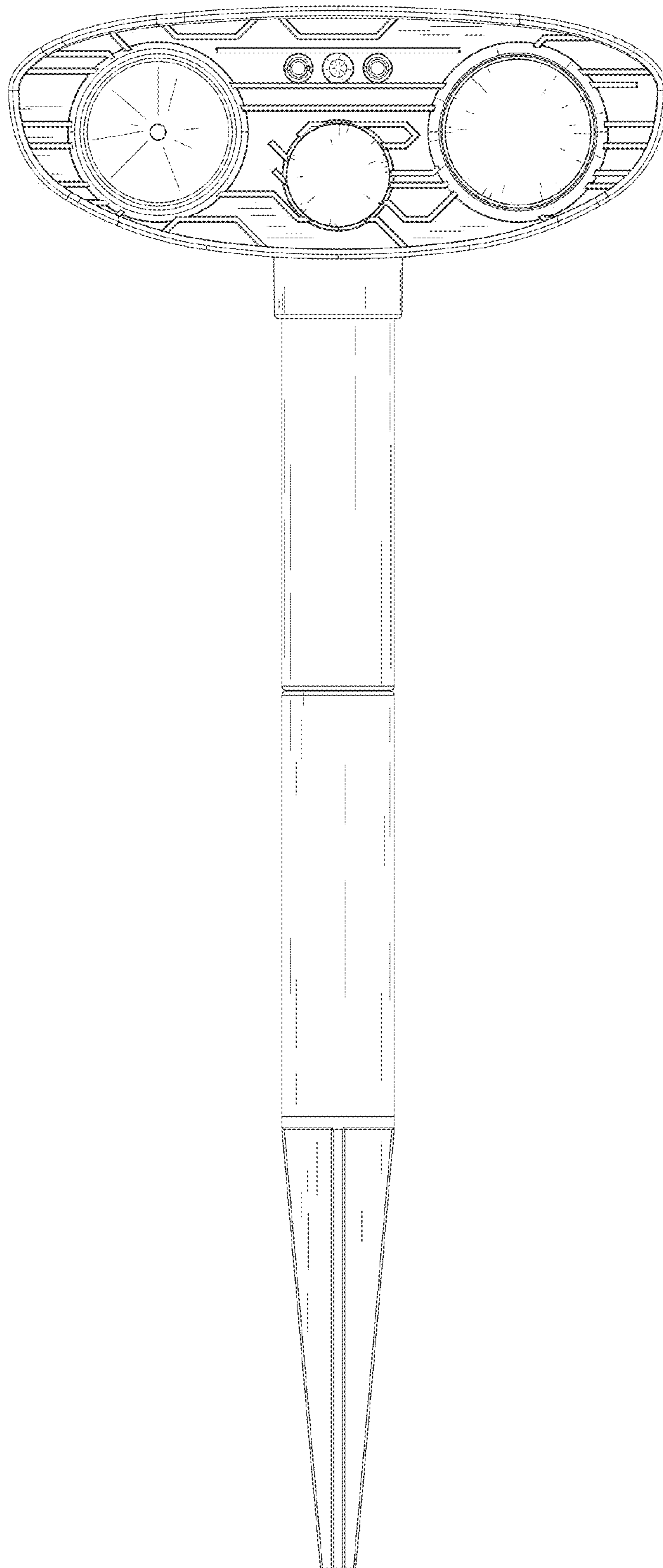


FIG. 1

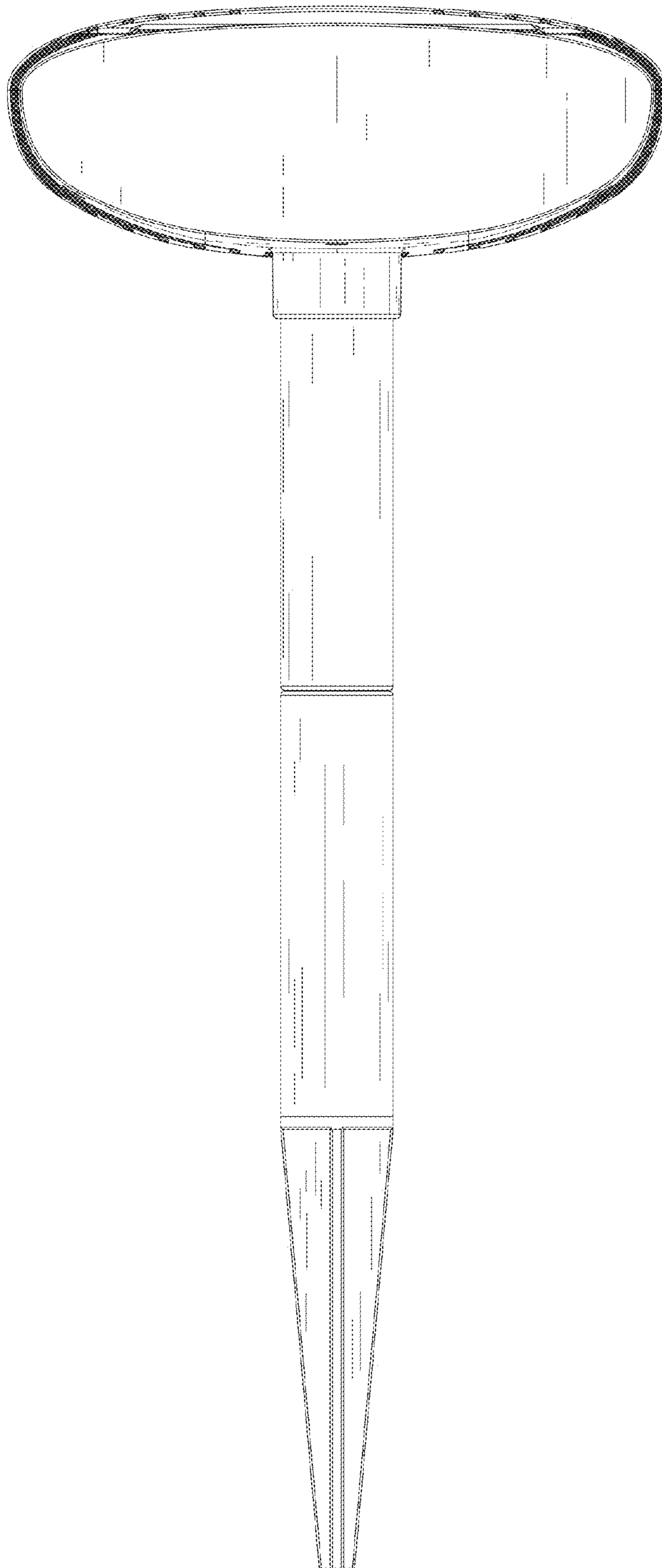


FIG. 2

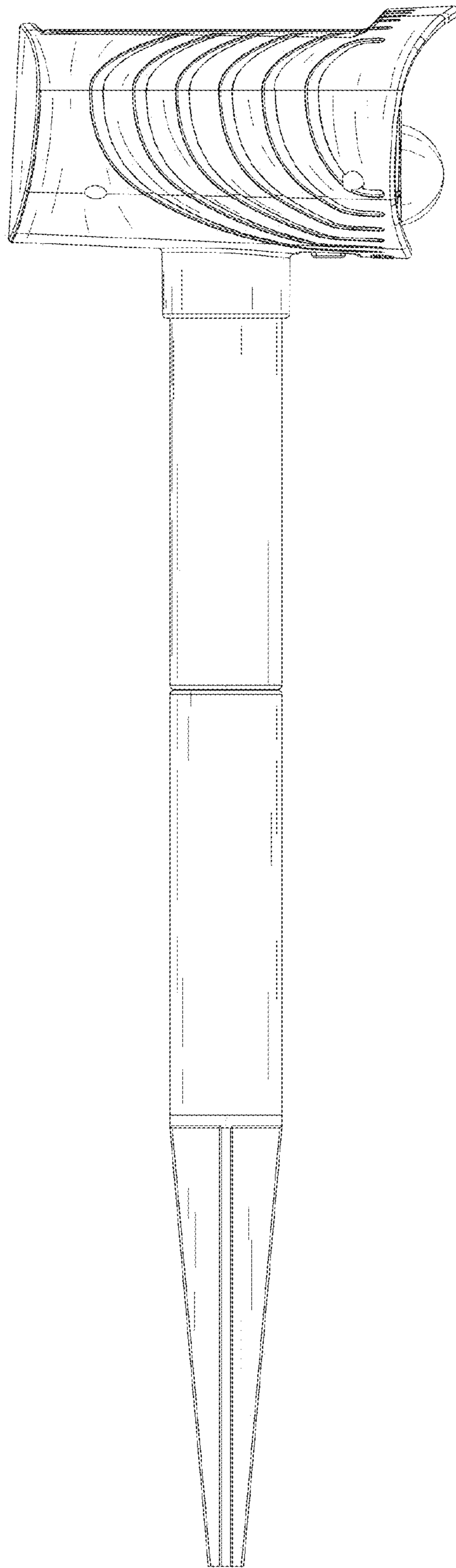


FIG. 3

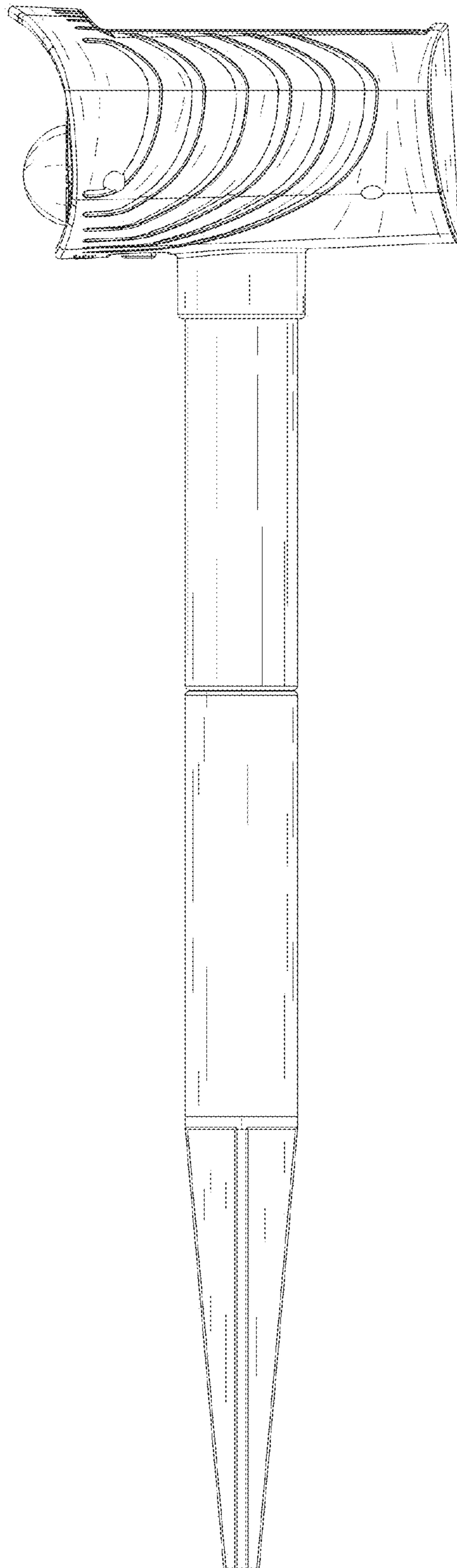


FIG. 4

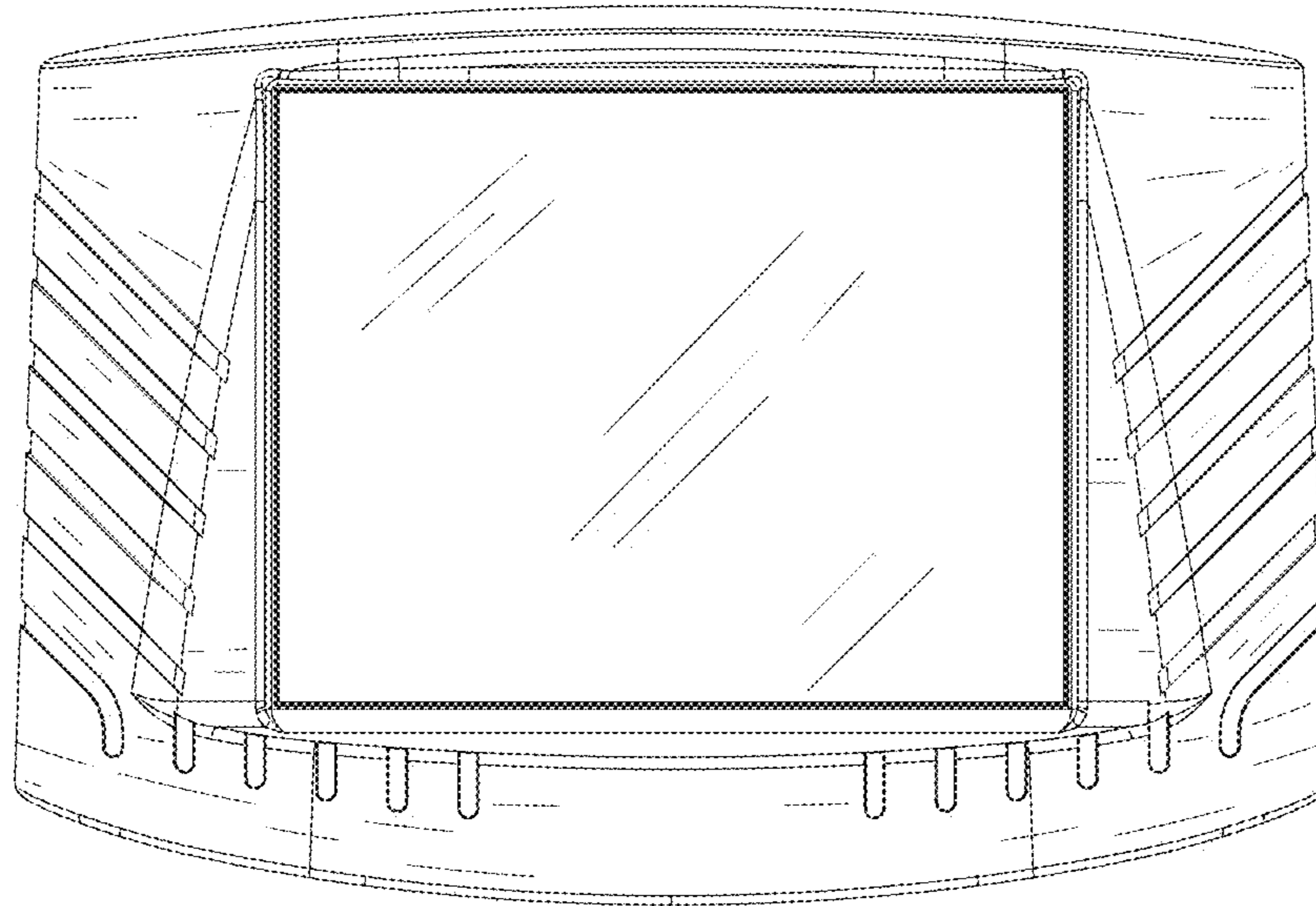


FIG. 5

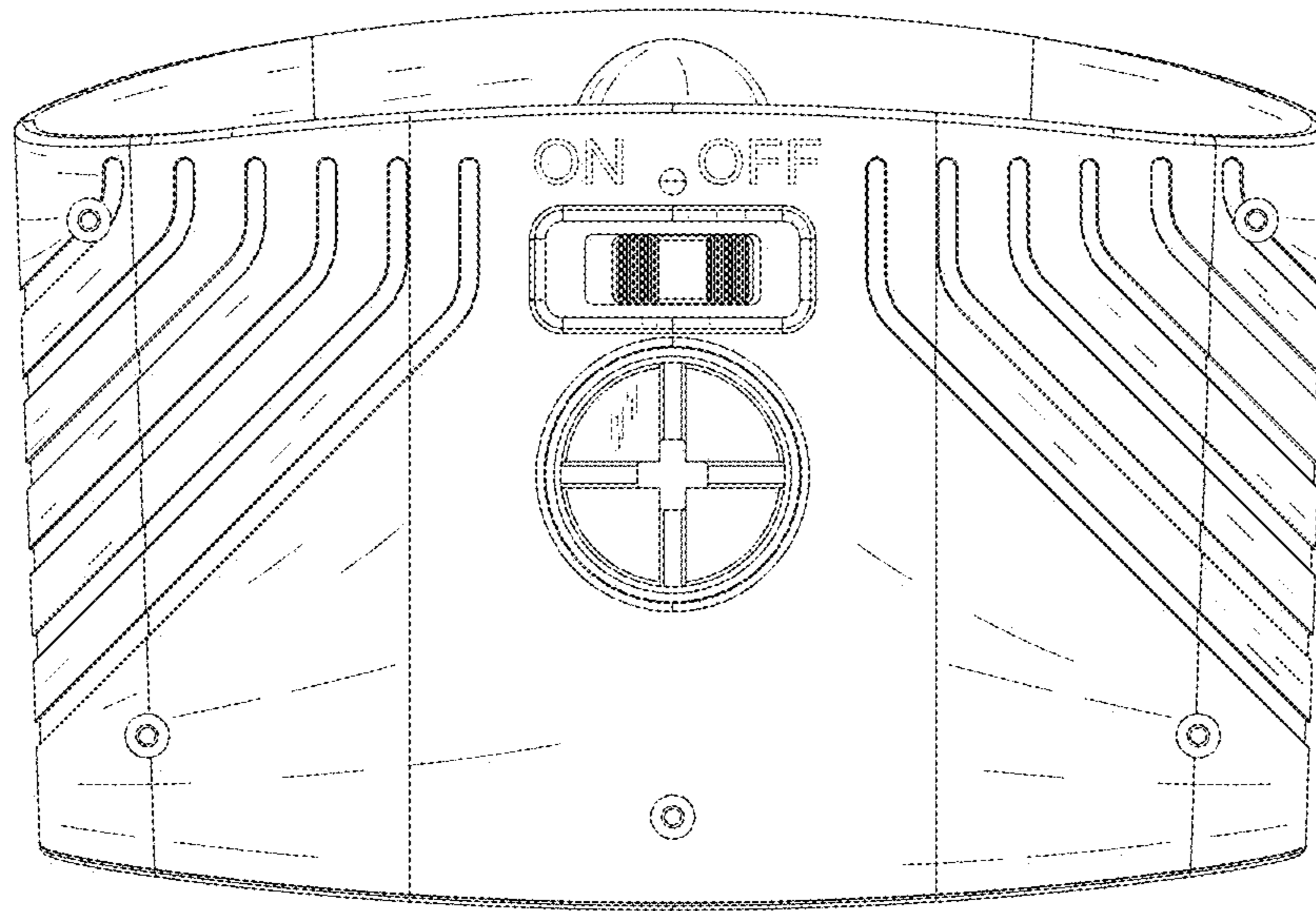


FIG. 6

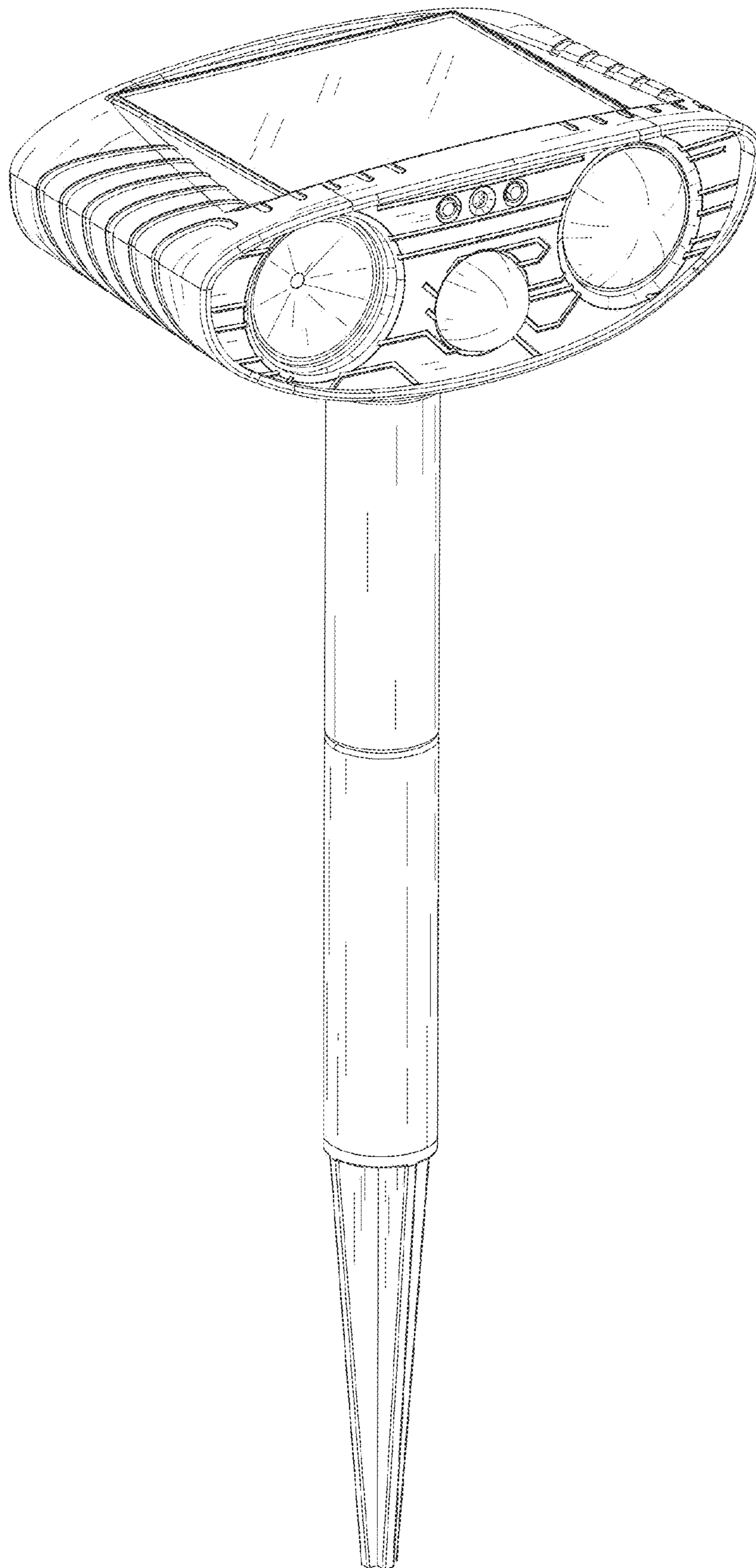


FIG. 7



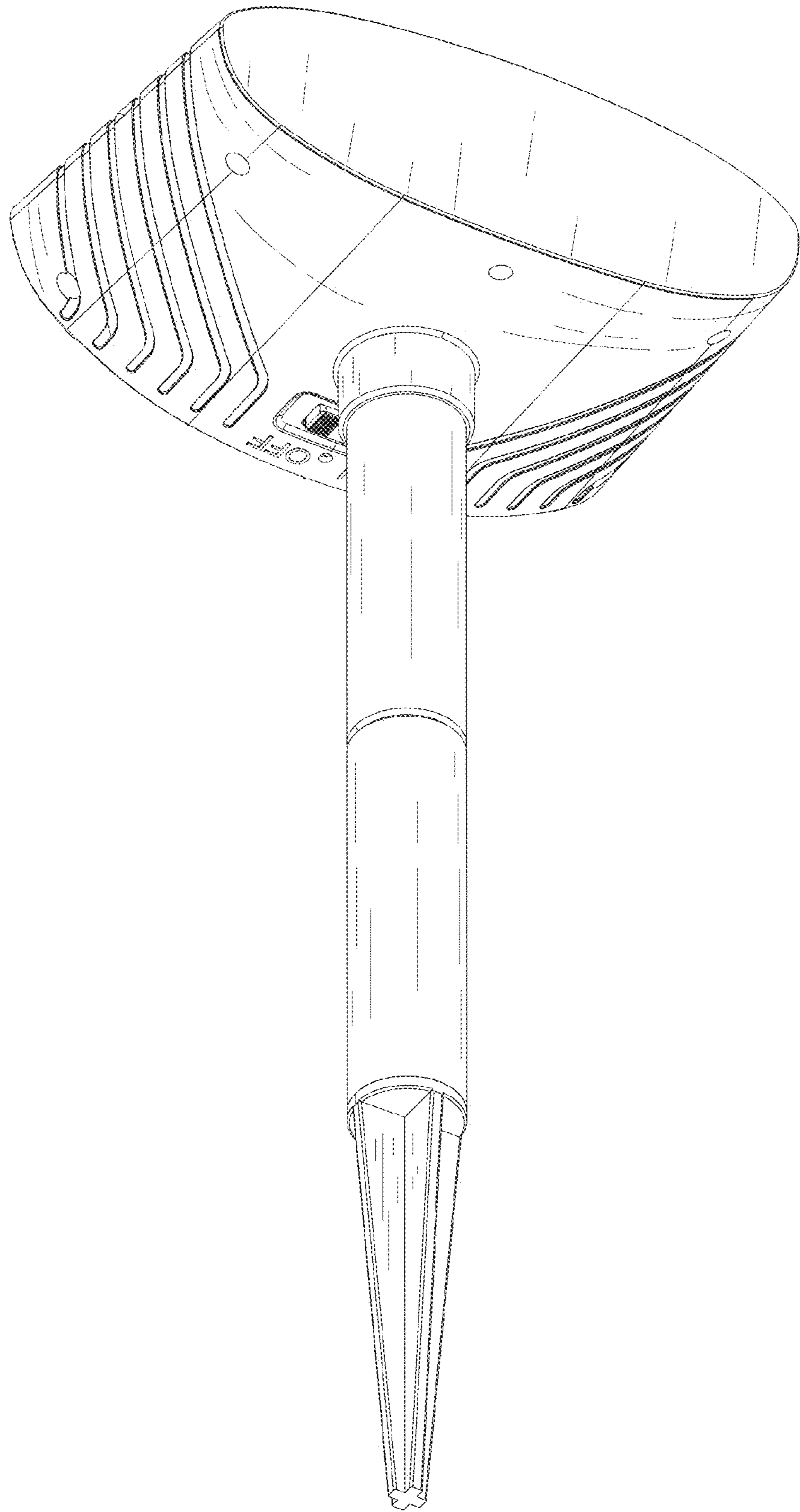


FIG. 8