



US00D981937S

(12) **United States Design Patent**
Hanstock

(10) **Patent No.:** **US D981,937 S**
(45) **Date of Patent:** **** Mar. 28, 2023**

(54) **VEHICLE ARM REST**

(71) Applicant: **Jaguar Land Rover Limited**, Whitley
Coventry (GB)

(72) Inventor: **Paul Hanstock**, Whitley Coventry (GB)

(73) Assignee: **Jaguar Land Rover Limited**, Whitley
Coventry (GB)

(**) Term: **15 Years**

(21) Appl. No.: **29/786,572**

(22) Filed: **Jun. 1, 2021**

(30) **Foreign Application Priority Data**

Dec. 3, 2020 (EM) 008308522-0004

(51) **LOC (14) Cl.** **12-16**

(52) **U.S. Cl.**
USPC **D12/421**

(58) **Field of Classification Search**
USPC D12/179, 415, 416, 419, 421; D6/336,
D6/384; D7/620
CPC .. B60Q 3/225; B60R 3/02; B60R 7/04; B60N
3/10

See application file for complete search history.

(56) **References Cited**

U.S. PATENT DOCUMENTS

D296,094 S *	6/1988	Sheek	D12/421
D770,968 S *	11/2016	Willis	D12/415
D869,380 S *	12/2019	Kabata	D12/415
D870,644 S *	12/2019	Buffery	D12/415
D876,318 S *	2/2020	Ray	D12/415
D887,954 S *	6/2020	Xu	D12/415
D888,650 S *	6/2020	Yu	D12/415
D890,078 S *	7/2020	Nakao	D12/415
D941,228 S *	1/2022	Sandys	D12/415
D950,474 S *	5/2022	Matsuo	D12/415

OTHER PUBLICATIONS

Ebay, 2007-2012 Ford Fusion Center Console Assembly, published
Sep. 14, 2022 [retrieved Aug. 5, 2022] retrieved from the internet<<https://www.ebay.com/itm/265423896924>> (Year: 2022).*

Ebay, 2017-2020 Tesla Model 3 M3 Center Console Armrest Cup
holder Wood OEM, published Oct. 4, 2022 [retrieved Oct. 4, 2022]
Retrieved from the internet<<https://www.ebay.com/itm/403641935921>> (Year: 2022).*

Ebay, 2005-2009 Ford Mustang Floor Center console, published
Aug. 18, 2022 [retrieved Oct. 5, 2022]. Retrieved from the
internet<<https://www.ebay.com/itm/304602474929?epid=1753448478>> (Year: 2022).*

* cited by examiner

Primary Examiner — Joseph Kukella

Assistant Examiner — Lavon M Amerson

(74) *Attorney, Agent, or Firm* — Wood Herron & Evans
LLP

(57) **CLAIM**

The ornamental design for a vehicle arm rest, as shown and
described.

DESCRIPTION

FIG. 1 is a front left perspective view of a vehicle arm rest
according to the present invention.

FIG. 2 is a rear right perspective view of the arm rest shown
in FIG. 1.

FIG. 3 is a front view thereof.

FIG. 4 is a rear view thereof.

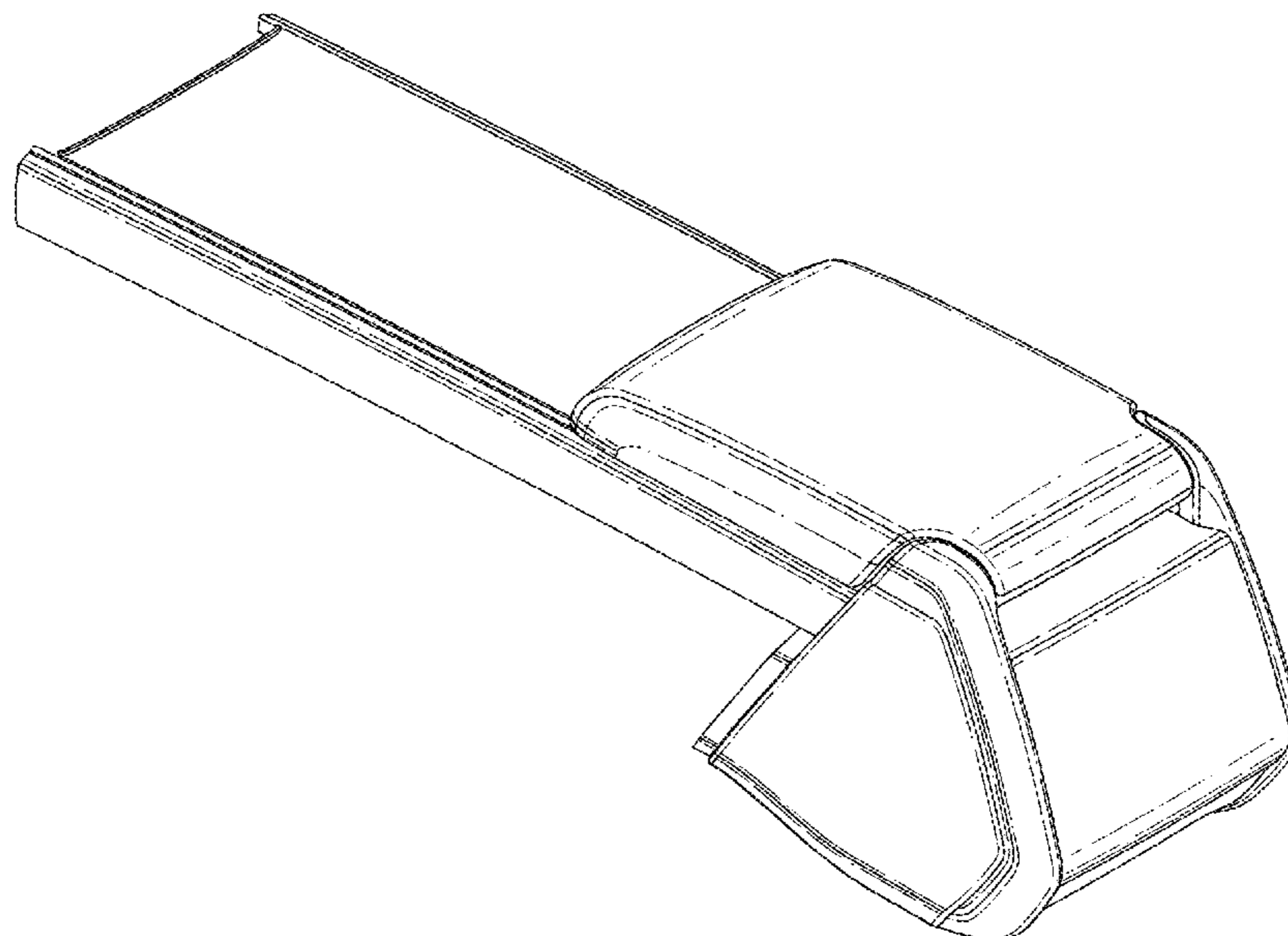
FIG. 5 is a left side view thereof.

FIG. 6 is a right side view thereof.

FIG. 7 is a top view thereof; and,

FIG. 8 is a bottom view thereof.

1 Claim, 7 Drawing Sheets



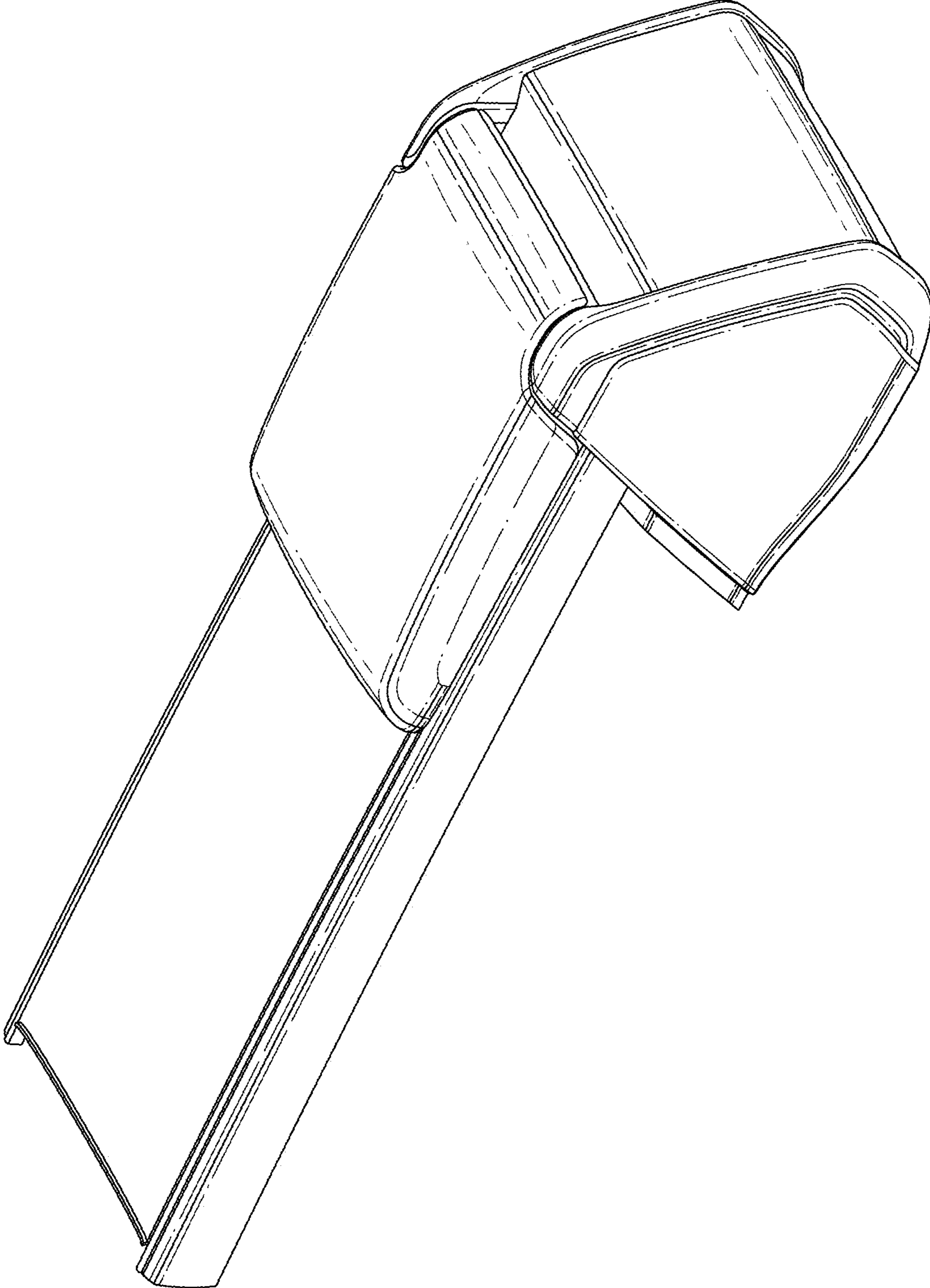


FIG. 1

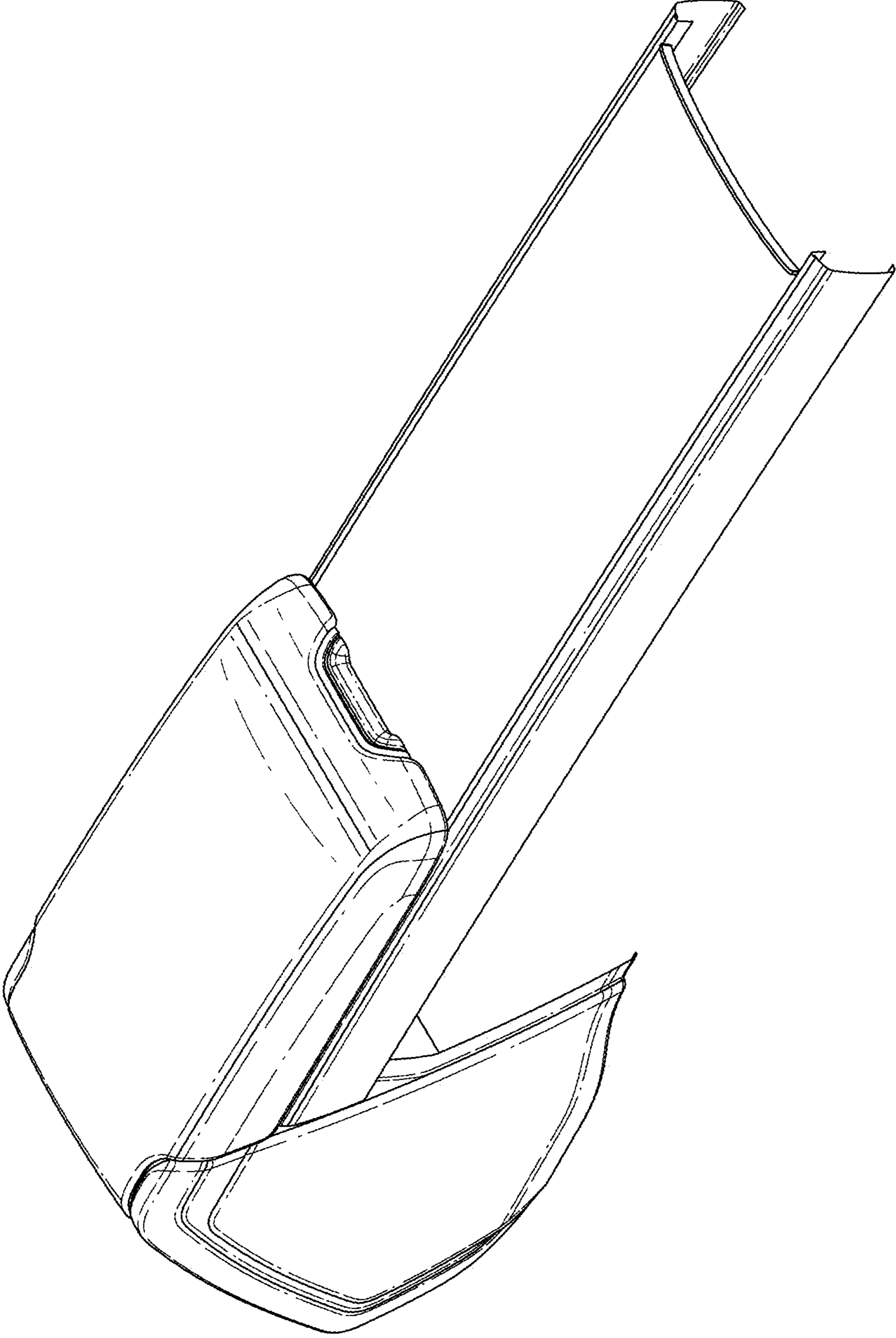


FIG. 2

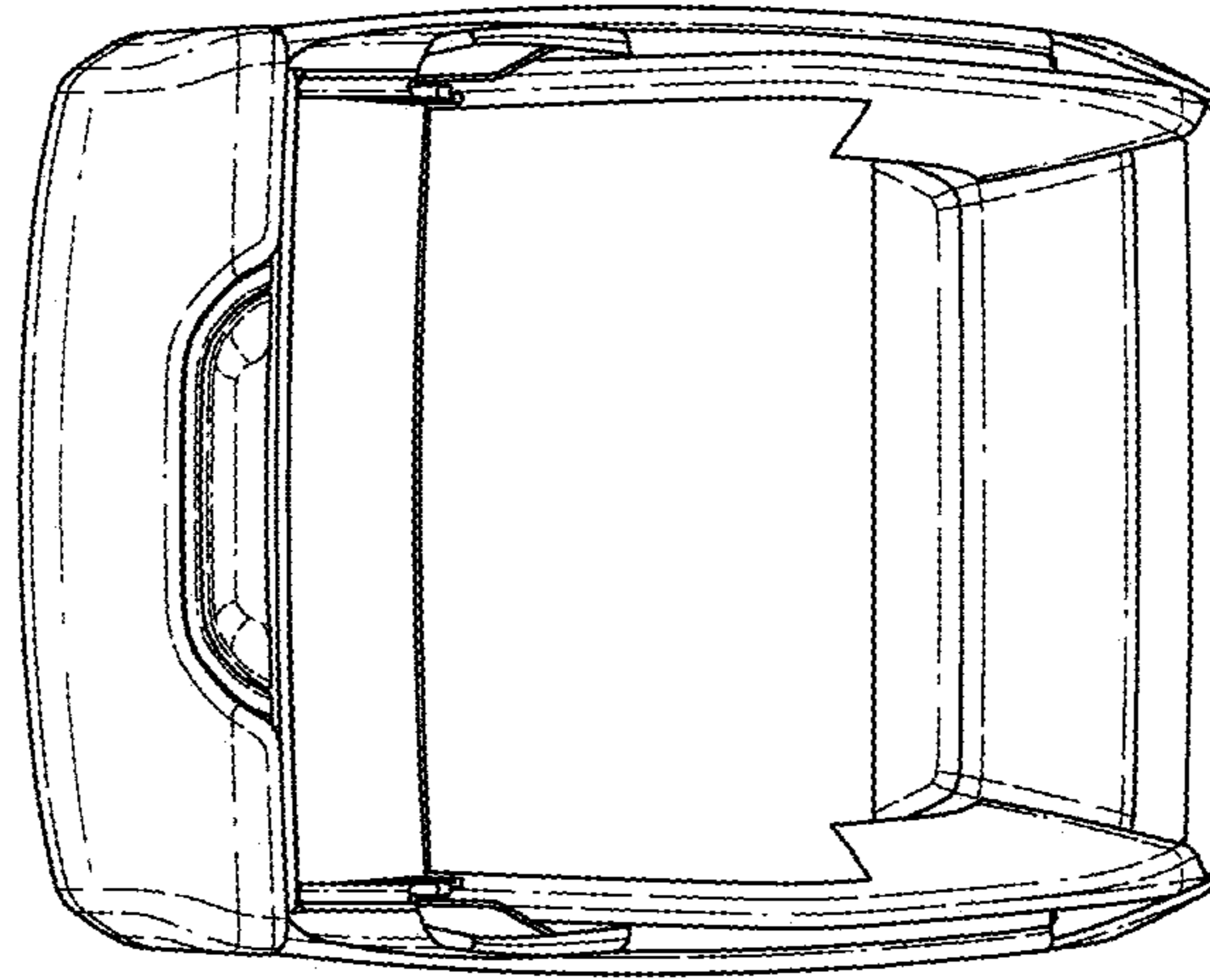


FIG. 4

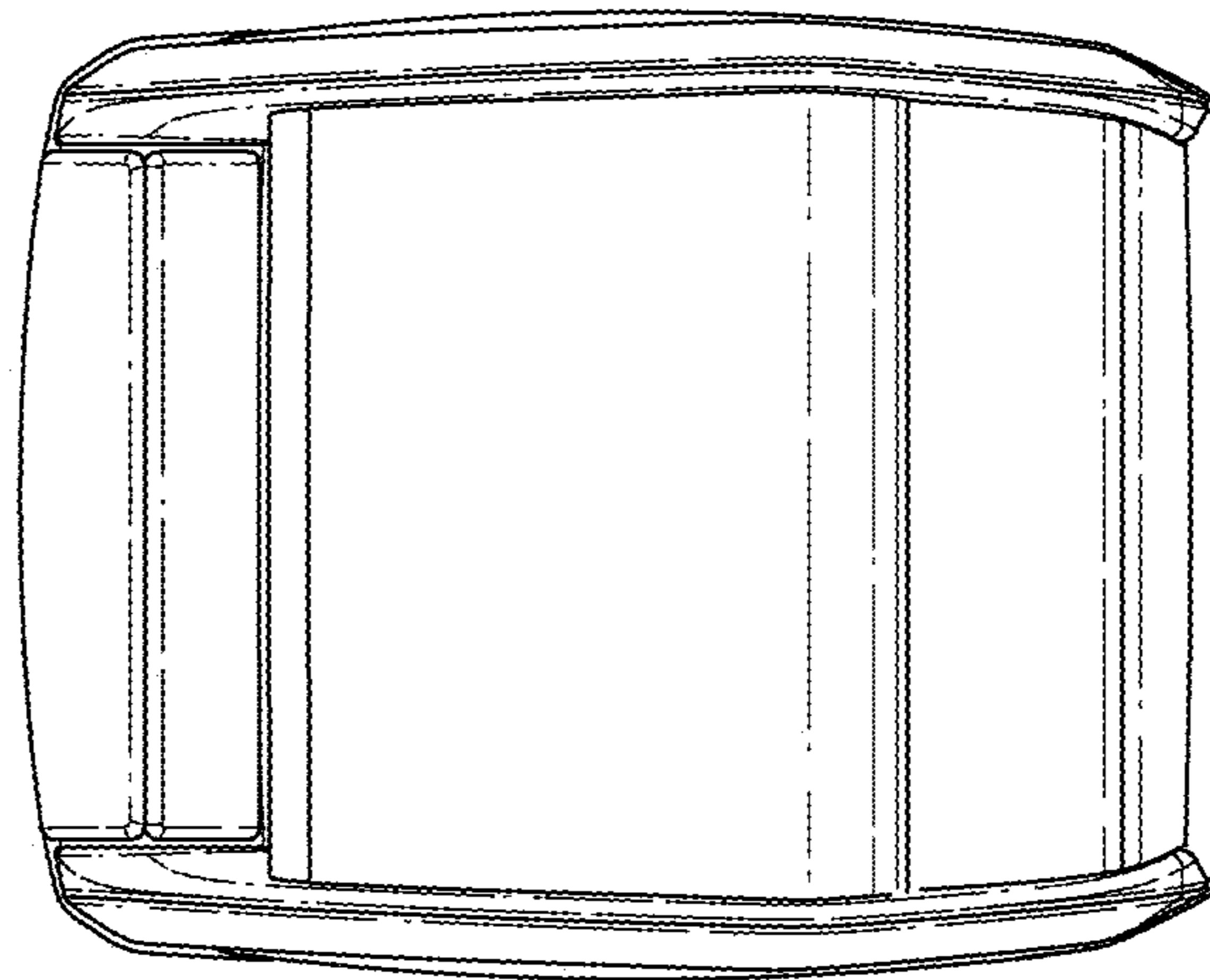


FIG. 3

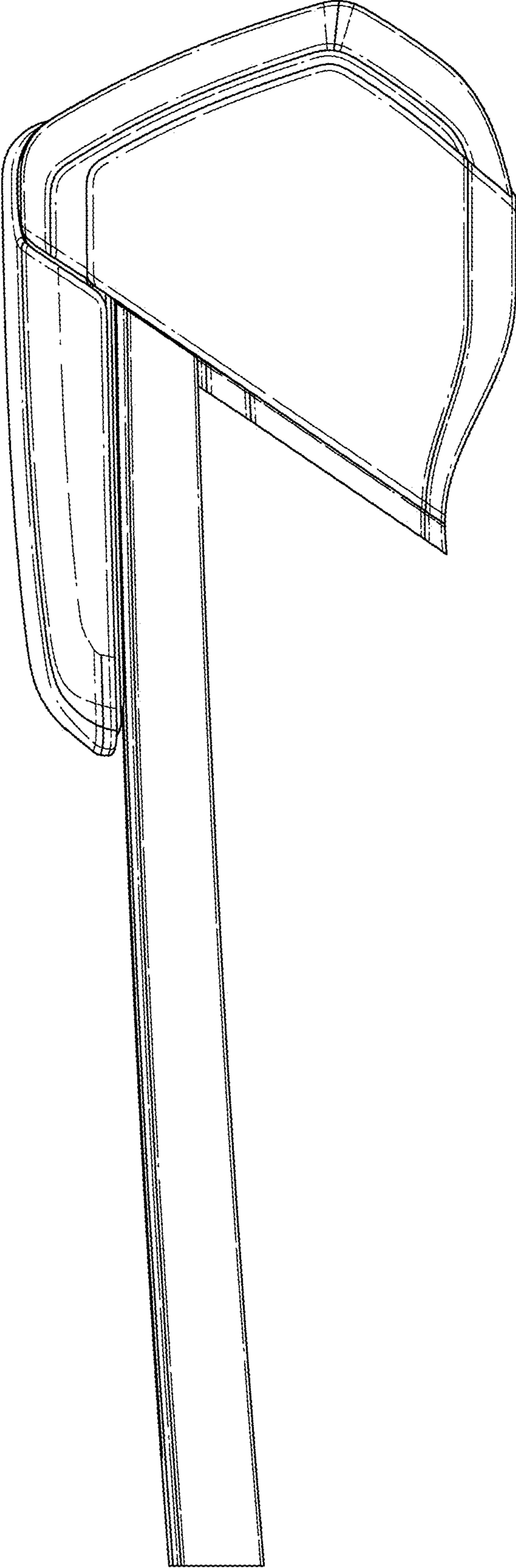


FIG. 5

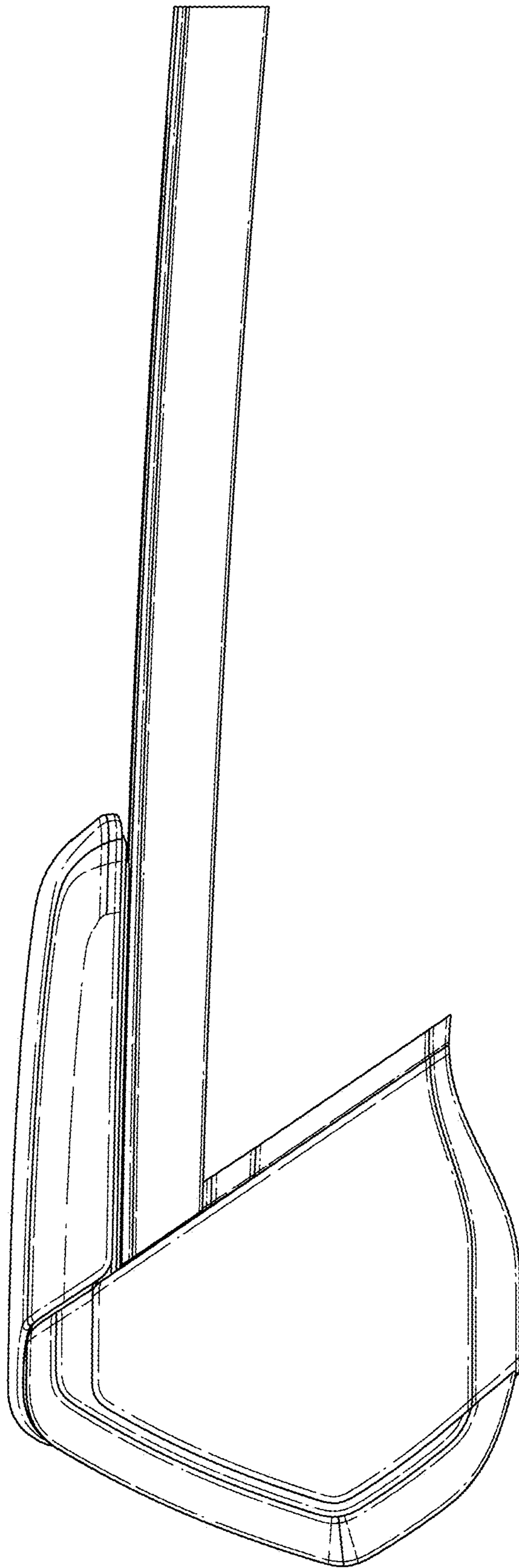


FIG. 6

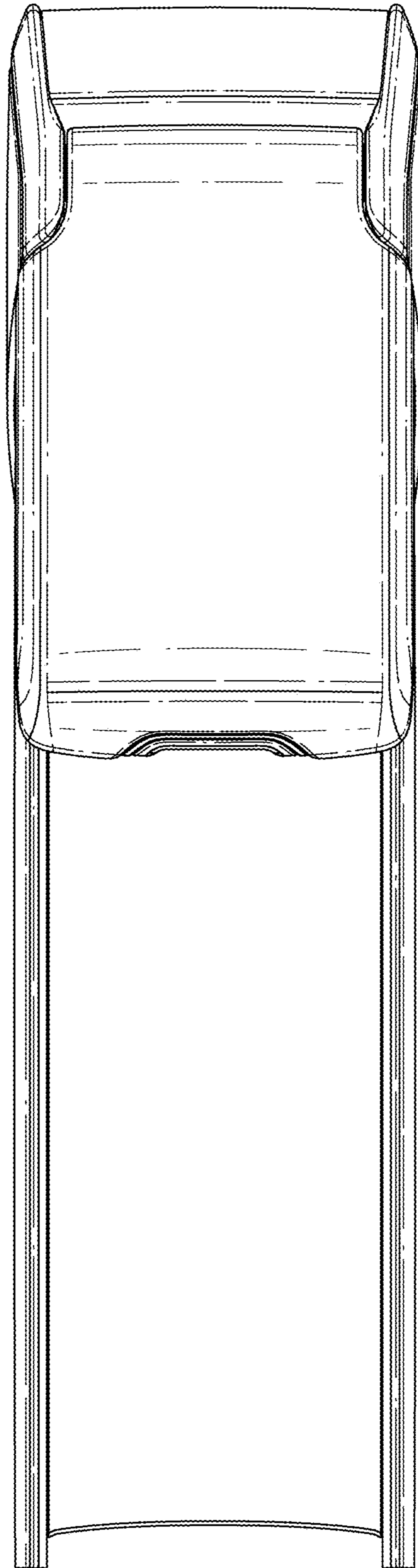


FIG. 7

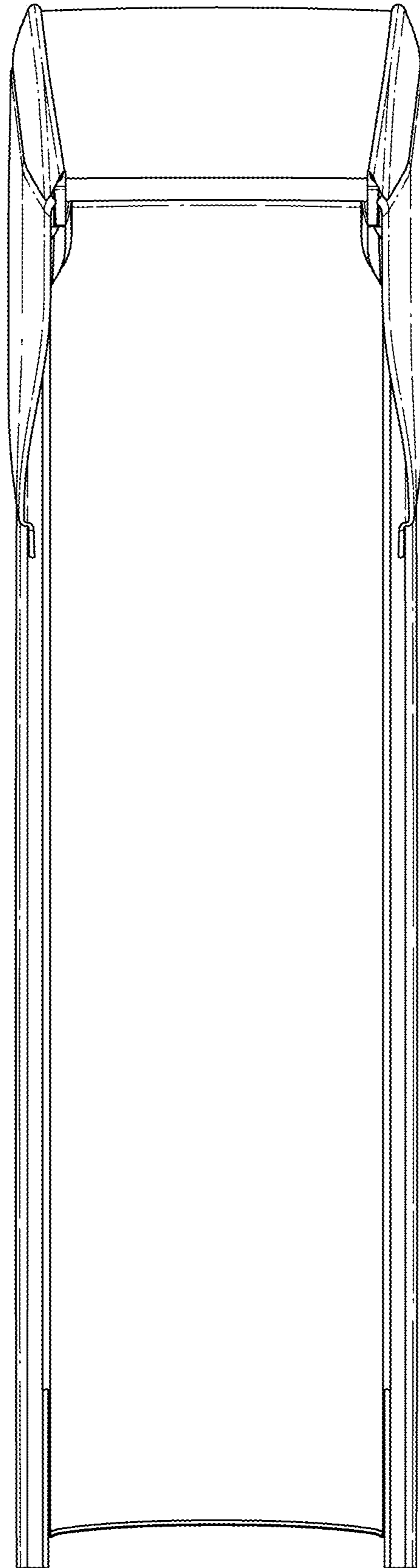


FIG. 8