



US00D981936S

(12) **United States Design Patent** (10) **Patent No.:** **US D981,936 S**  
**Weiler et al.** (45) **Date of Patent:** **\*\* Mar. 28, 2023**

(54) **SEAT CONSOLE**  
(71) Applicant: **CATERPILLAR INC.**, Peoria, IL (US)  
(72) Inventors: **Kenneth M. Weiler**, Dunlap, IL (US);  
**Anthony S. Cooksey**, Germantown  
Hills, IL (US); **Ian A. Tiggemann**,  
Peoria, IL (US); **Erica L. Taylor**,  
Peoria, IL (US)

D724,004 S \* 3/2015 McFarlin ..... D12/419  
D735,636 S \* 8/2015 Wragg ..... D12/419  
D792,834 S \* 7/2017 Ito ..... D12/419  
(Continued)

FOREIGN PATENT DOCUMENTS

CN 201777147 U 3/2011  
CN 203142413 U 8/2013  
(Continued)

(73) Assignee: **Caterpillar Inc.**, Peoria, IL (US)  
(\*\*) Term: **15 Years**

OTHER PUBLICATIONS

Plastics, <https://www.plastics.gl/injection-moulding/soft-touch-in-one-press/>, Last accessed Jan. 14, 2021.  
(Continued)

(21) Appl. No.: **29/748,570**  
(22) Filed: **Aug. 31, 2020**  
(51) **LOC (14) Cl.** ..... **12-16**  
(52) **U.S. Cl.**  
USPC ..... **D12/419**  
(58) **Field of Classification Search**  
USPC ..... D12/415-420, 400; D6/716.2  
CPC ..... B60R 7/04; B60R 7/06; B60R 7/08  
See application file for complete search history.

*Primary Examiner* — Susan E Krakower  
*Assistant Examiner* — Jerry Shiuian-Hua Hsu  
(74) *Attorney, Agent, or Firm* — Finnegan, Henderson,  
Farabow, Garrett & Dunner, LLP

(57) **CLAIM**

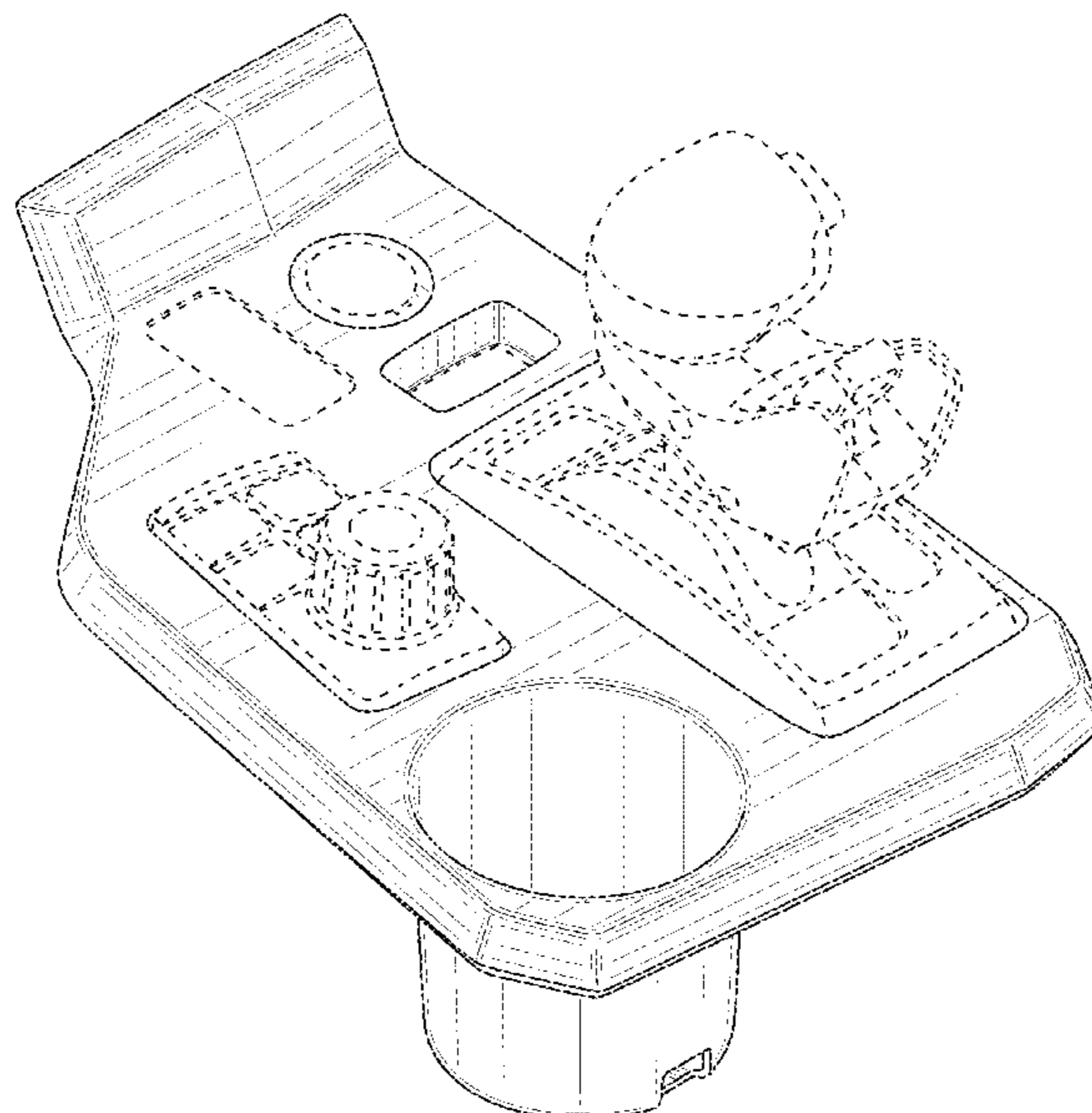
The ornamental design for a seat console, as shown and described.

**DESCRIPTION**

FIG. 1 is a front, top, left perspective view of a seat console showing the new design;  
FIG. 2 is a rear, bottom, left perspective view thereof;  
FIG. 3 is front elevation view thereof;  
FIG. 4 is a rear elevation view thereof;  
FIG. 5 is a left-side elevation view thereof;  
FIG. 6 is a right-side elevation view thereof;  
FIG. 7 is a top plan view thereof;  
FIG. 8 is a bottom plan view thereof; and,  
FIG. 9 is another front, top, left perspective view thereof.  
The broken lines of even length shown in the drawings illustrate portions of the seat console that form no part of the claimed design.

(56) **References Cited**  
U.S. PATENT DOCUMENTS  
D346,066 S \* 4/1994 Smith ..... D12/419  
D359,266 S \* 6/1995 Karp ..... D12/419  
D374,857 S \* 10/1996 Diem ..... D12/419  
D375,480 S \* 11/1996 Smith ..... D12/419  
D432,491 S \* 10/2000 Sacco ..... D12/419  
D434,720 S \* 12/2000 Haack ..... D12/419  
D444,120 S \* 6/2001 Smith ..... D12/419  
D490,044 S \* 5/2004 Smith ..... D12/419  
D534,480 S \* 1/2007 Fraser ..... D12/419  
D598,362 S \* 8/2009 Tan ..... D12/415  
7,823,952 B2 11/2010 Utsugi et al.  
D632,623 S 2/2011 Nishimura  
D651,966 S \* 1/2012 Hwang ..... D12/419  
D673,107 S \* 12/2012 Liu ..... D12/415

**1 Claim, 9 Drawing Sheets**



(56)

**References Cited**

U.S. PATENT DOCUMENTS

D801,911 S \* 11/2017 Stroud ..... D12/419  
D897,271 S \* 9/2020 Shikano ..... D12/415  
D925,957 S \* 7/2021 Jacobsthal ..... D6/716.2  
D927,403 S \* 8/2021 Park ..... D12/415

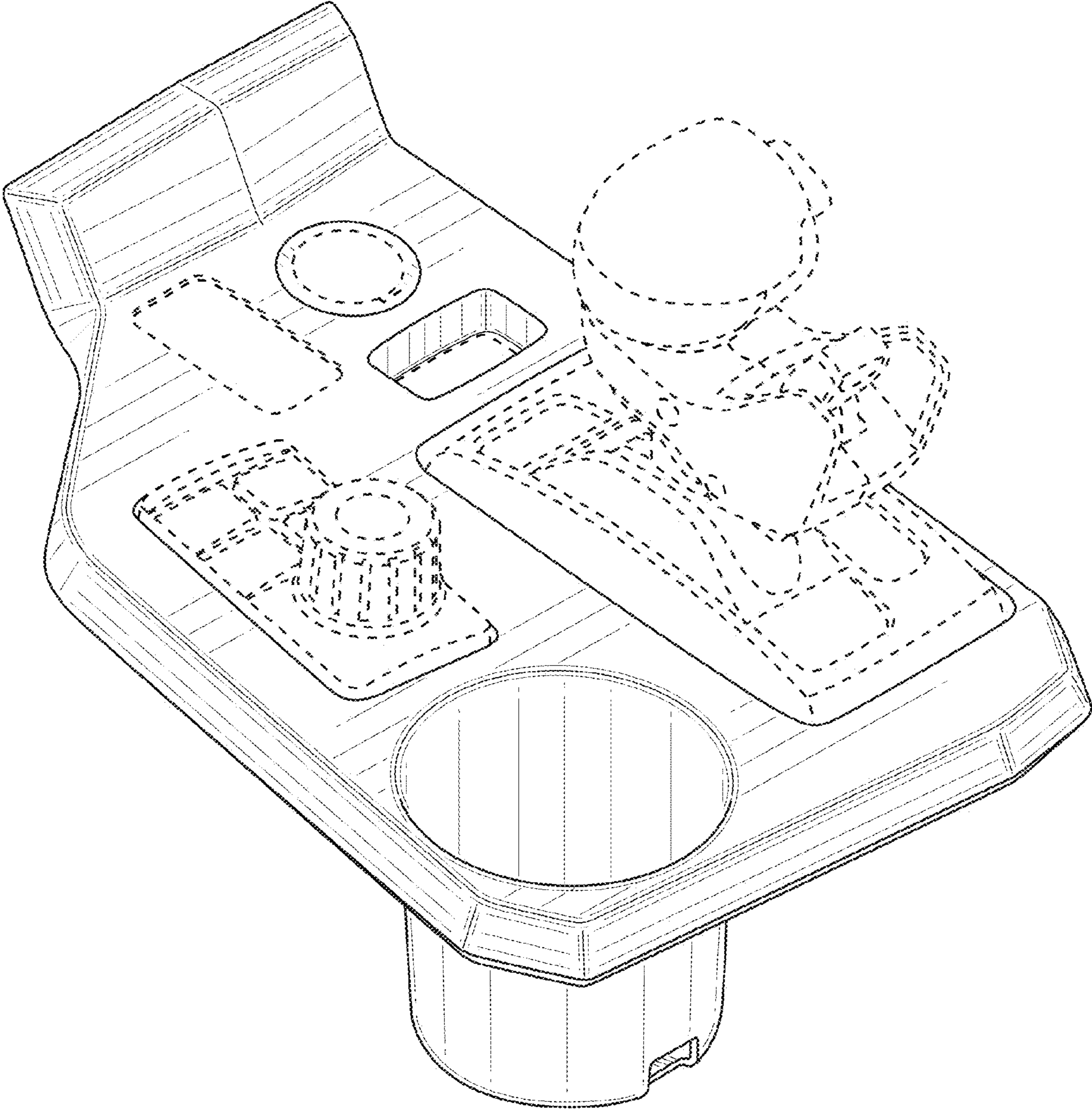
FOREIGN PATENT DOCUMENTS

CN 110385992 A 10/2019  
DE 102015005183 A1 10/2016  
FR 3031939 A3 7/2016

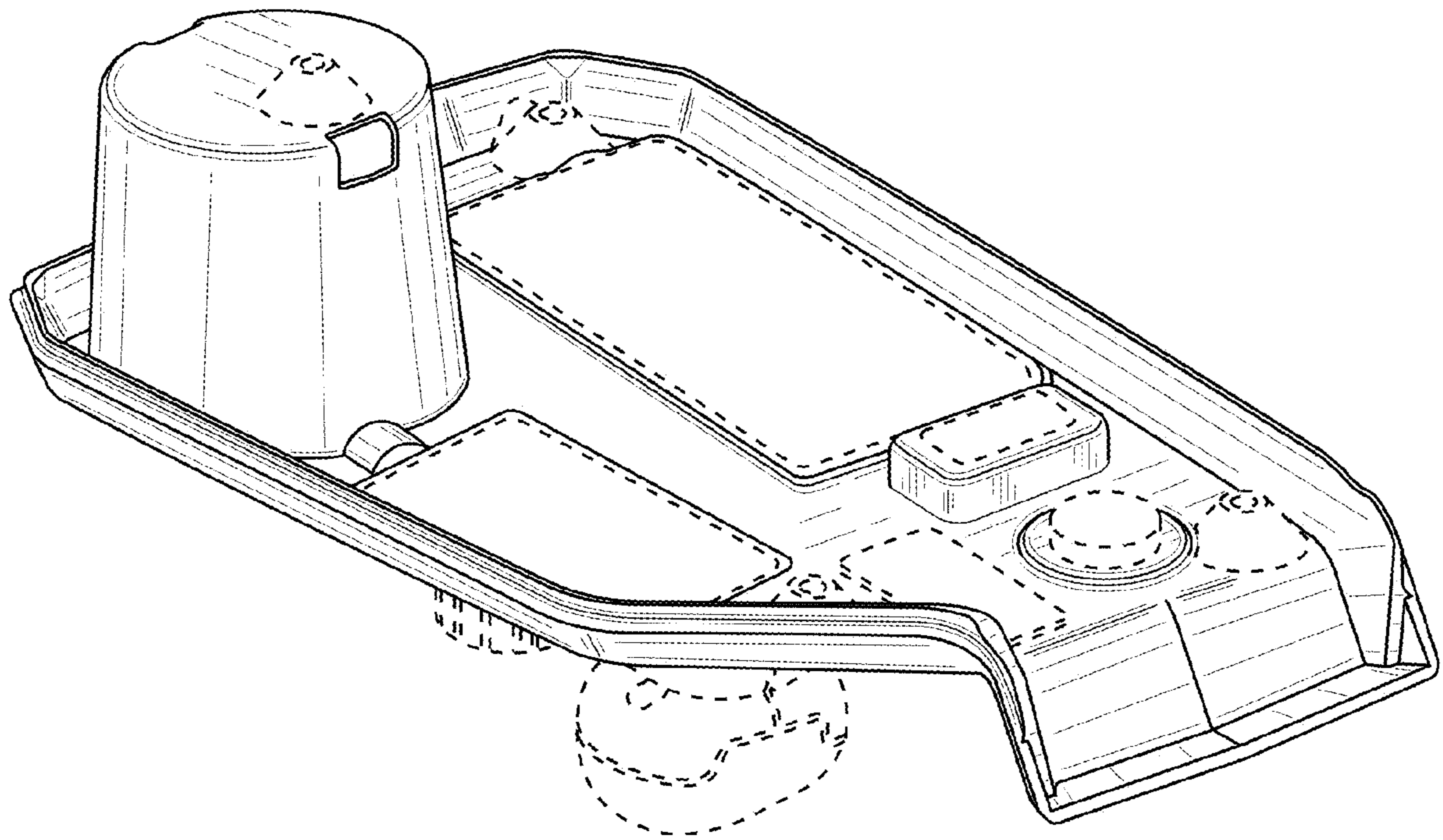
OTHER PUBLICATIONS

Global Auto Sources Gasgoo, <http://www.gasgoo.com/auto-images/body-parts-364/1309234.html>, Last accessed Jan. 14, 2021.

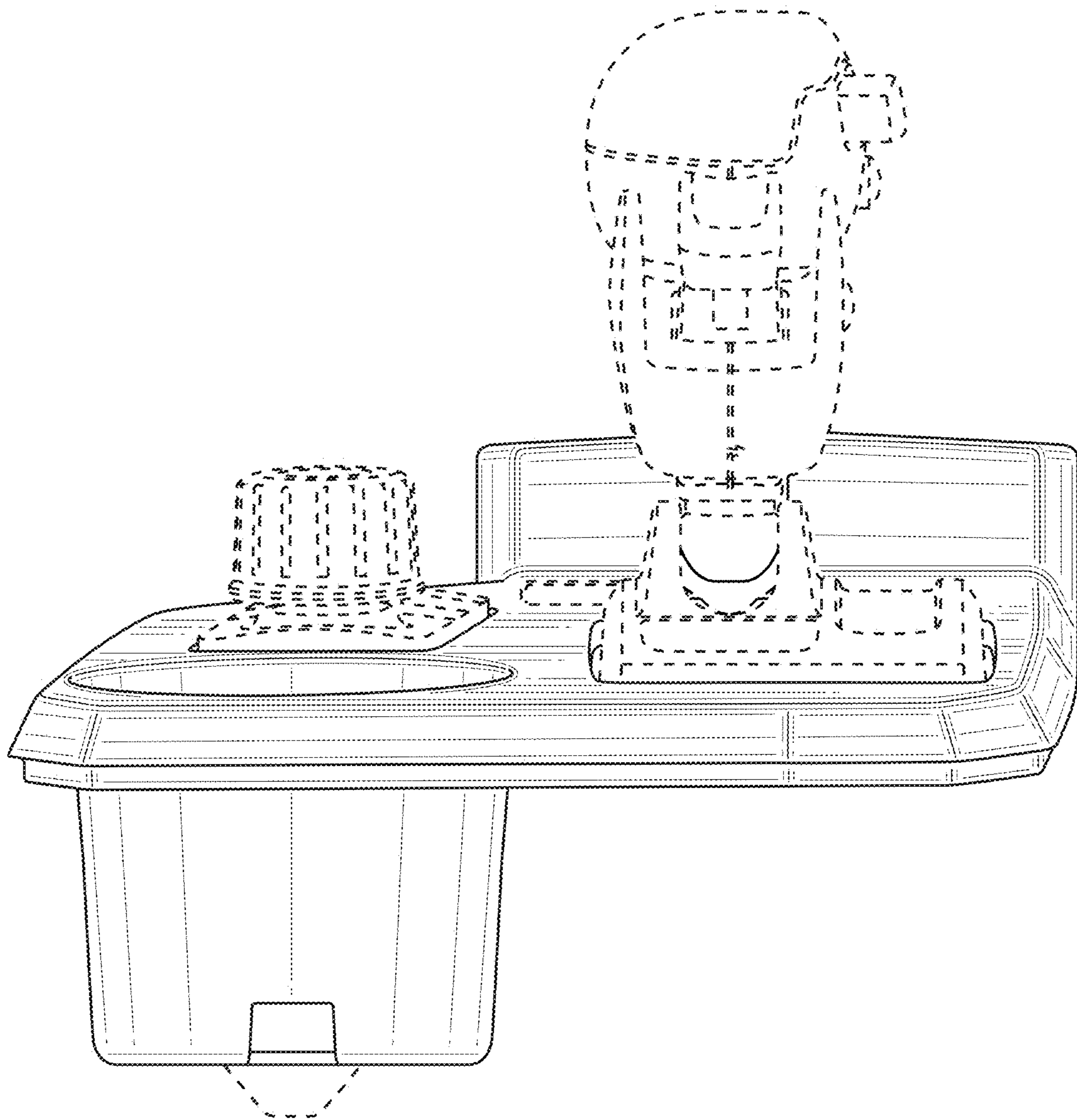
\* cited by examiner



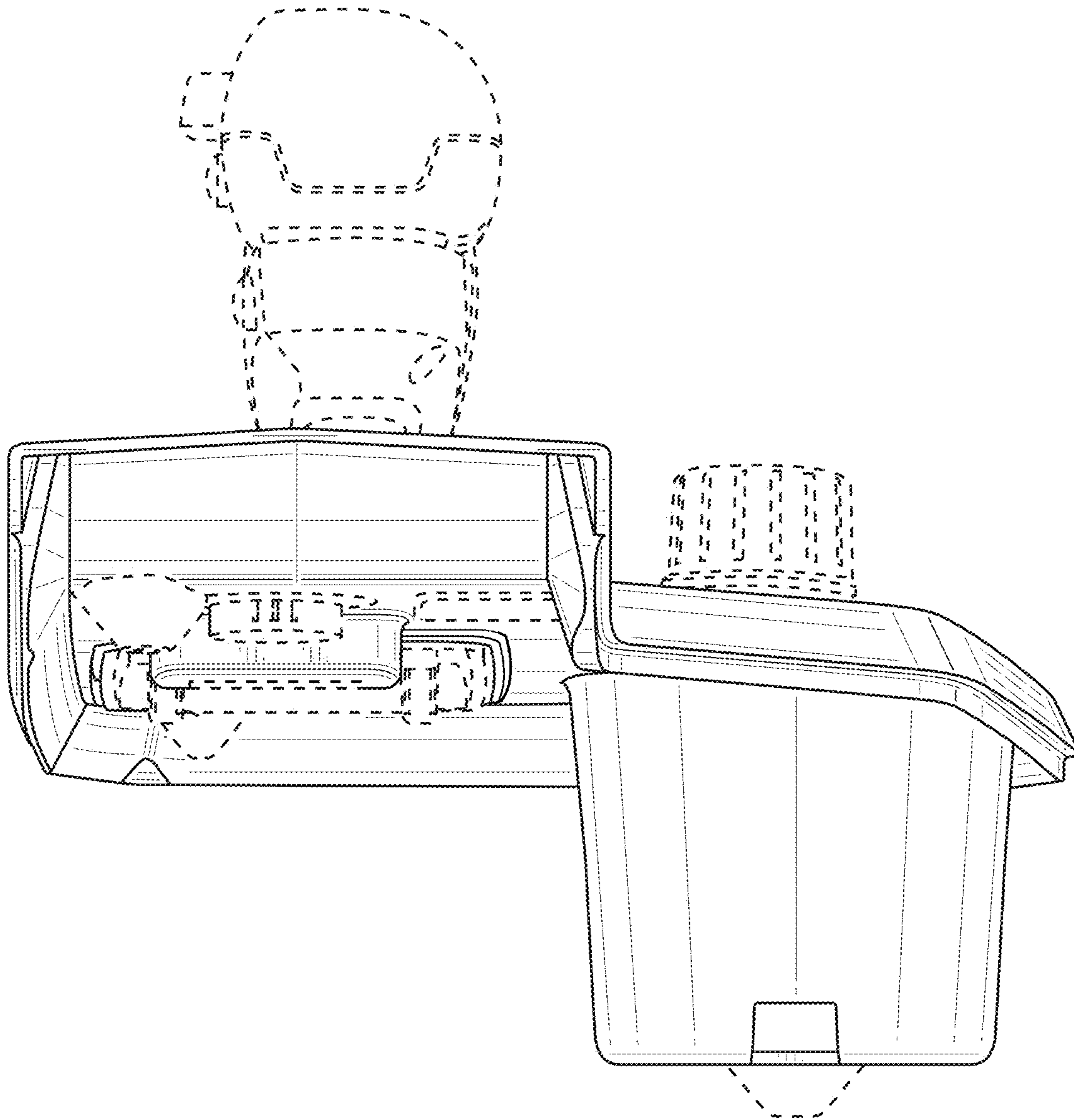
**FIG. 1**



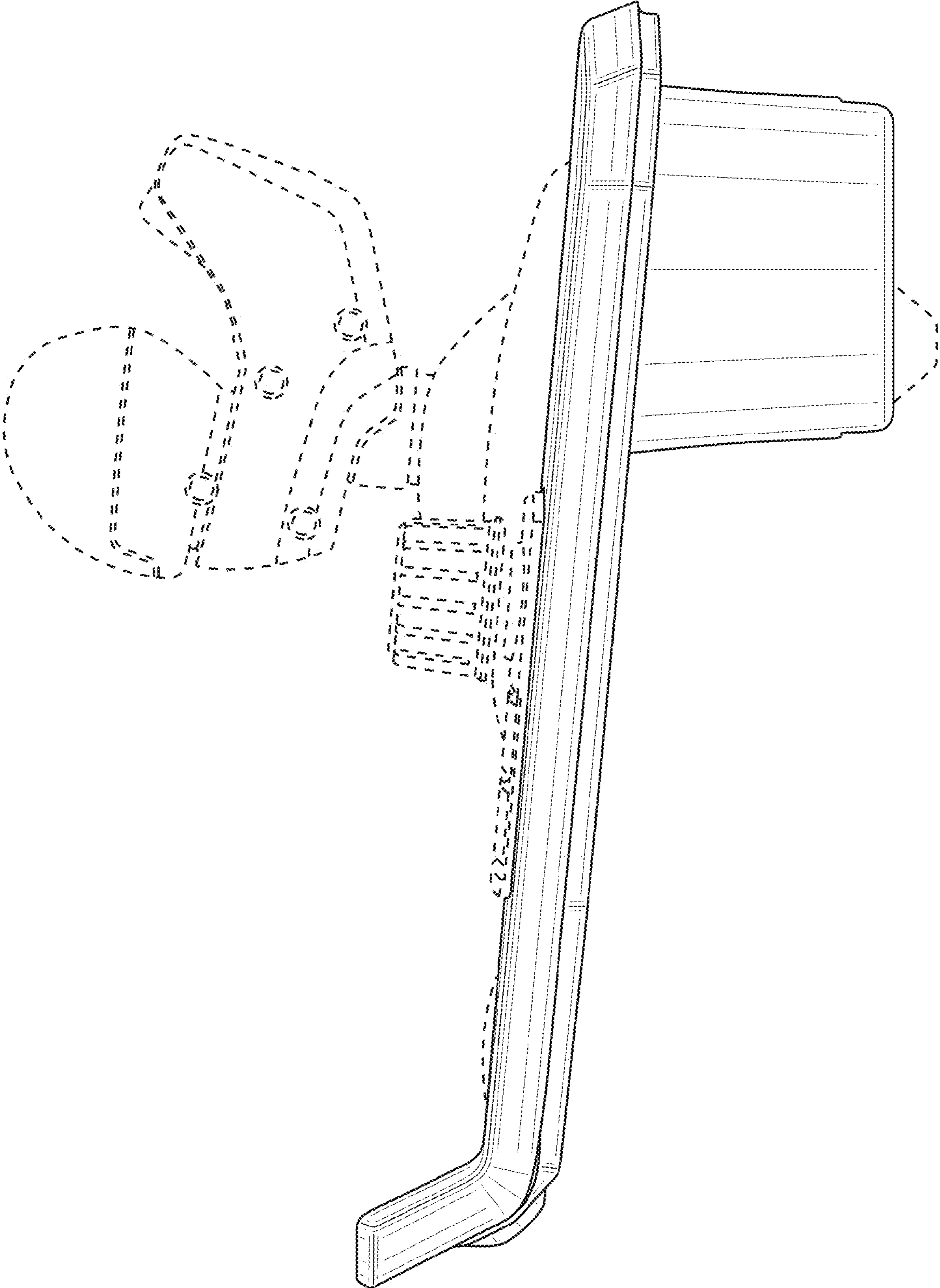
**FIG. 2**



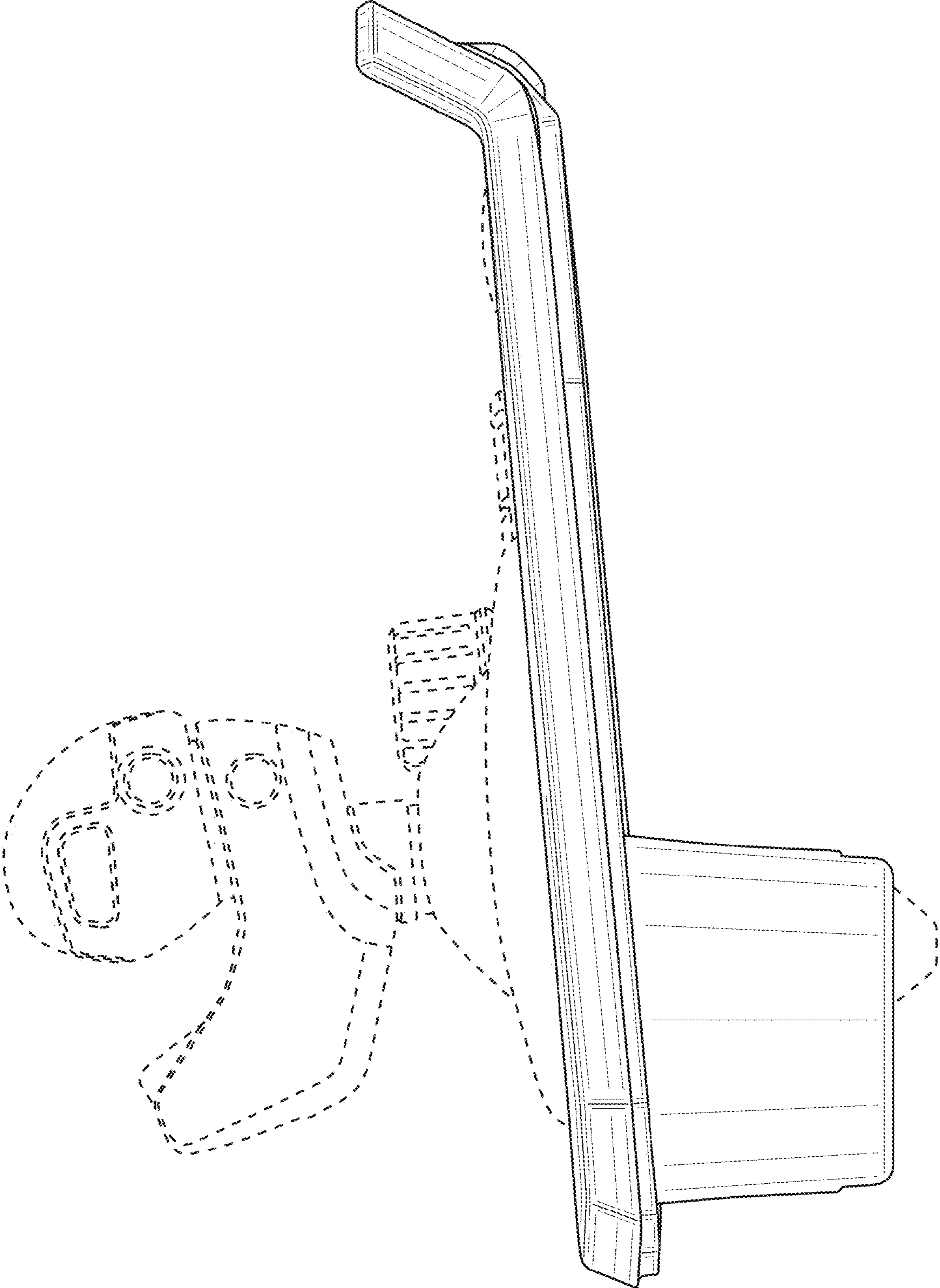
**FIG. 3**



**FIG. 4**

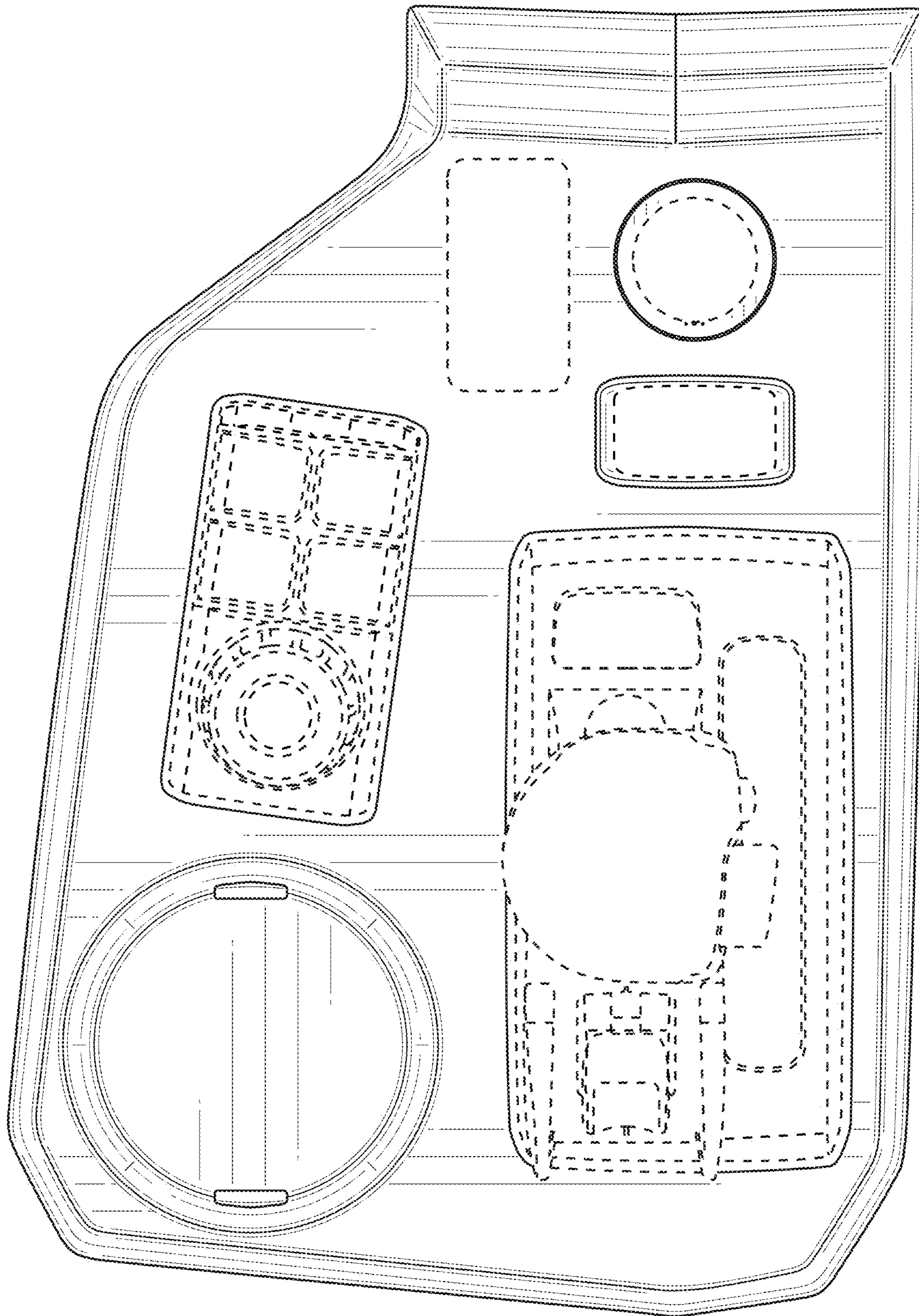


**FIG. 5**

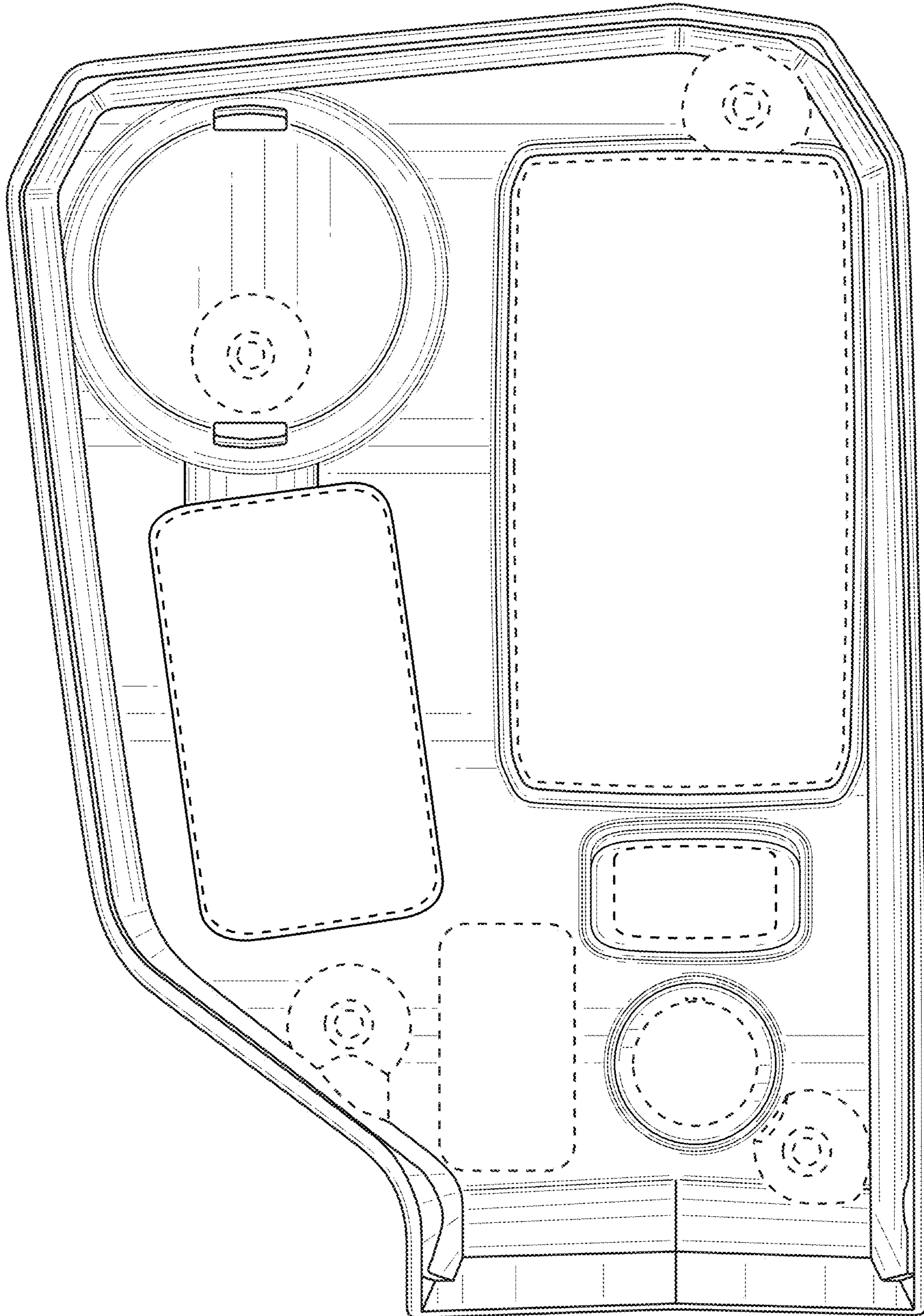


**FIG. 6**

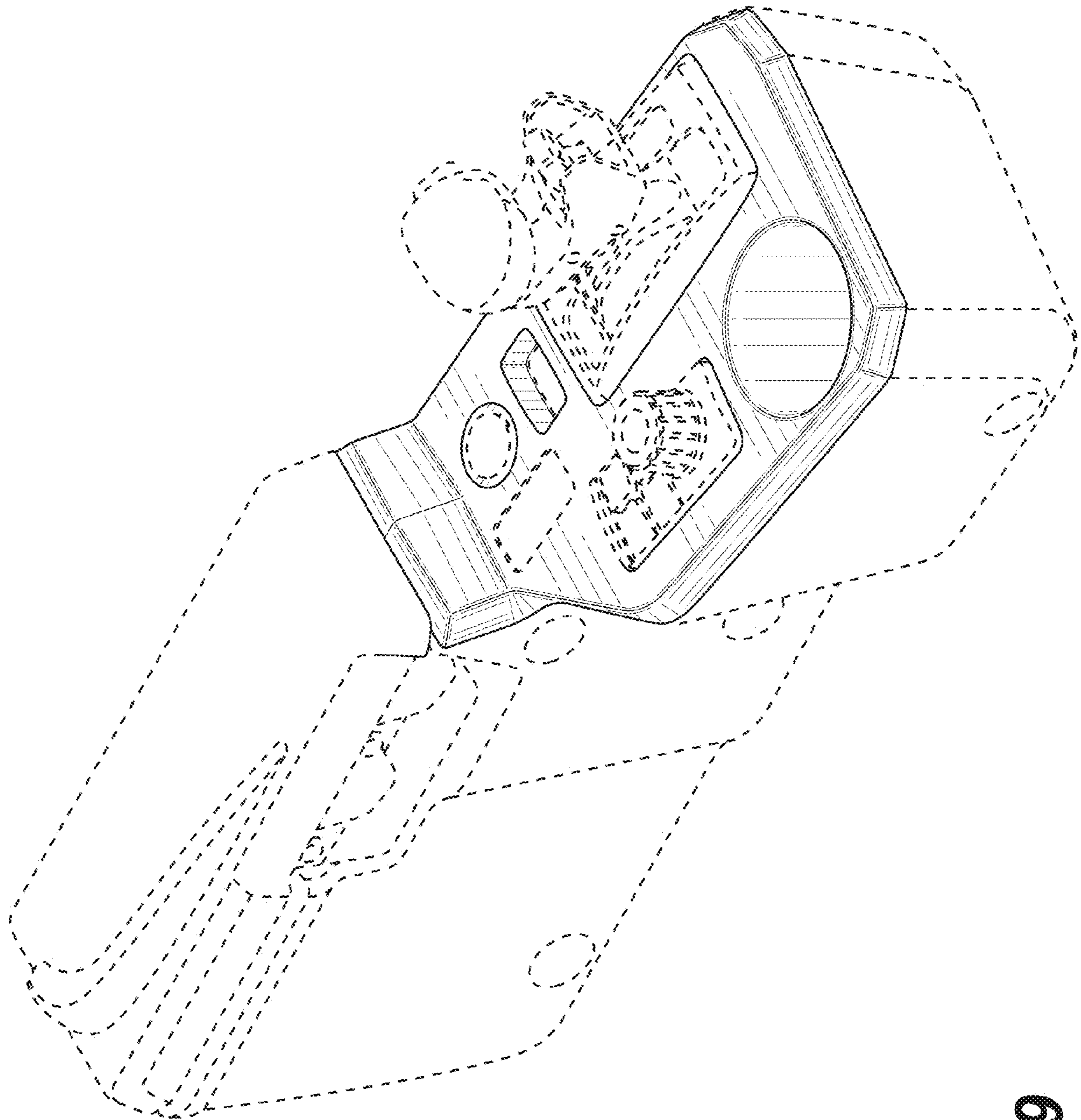




**FIG. 7**



**FIG. 8**



**FIG. 9**