



US00D981935S

(12) **United States Design Patent**  
**Zheng**

(10) **Patent No.:** **US D981,935 S**  
(45) **Date of Patent:** **\*\* Mar. 28, 2023**

- (54) **CAR SEAT GAP STORAGE BOX**
- (71) Applicant: **Shenzhen City Gaoluo Innovation Technology Co., Ltd.**, Guangdong (CN)
- (72) Inventor: **Yijun Zheng**, Guangdong (CN)
- (73) Assignee: **Shenzhen City Gaoluo Innovation Technology Co., Ltd.**, Guangdong (CN)
- (\*\*) Term: **15 Years**
- (21) Appl. No.: **29/783,967**
- (22) Filed: **May 17, 2021**
- (51) **LOC (14) Cl.** ..... **12-16**
- (52) **U.S. Cl.**  
USPC ..... **D12/416**
- (58) **Field of Classification Search**  
USPC ..... D12/192, 415–419, 421–423; D7/509,  
D7/523, 619.1–625  
CPC ..... B60R 16/04; B63B 17/00; B63B 35/00;  
B63B 25/00; B63B 7/085  
See application file for complete search history.

D848,932 S \* 5/2019 Henderson ..... D12/419  
D862,882 S \* 10/2019 Hicks ..... D3/304  
D940,050 S \* 1/2022 Lai ..... D12/419

**OTHER PUBLICATIONS**

Amazon, Car Cup Holder Expander Organizer,, published Jan. 25, 2021 [retrieved Oct. 13, 2022]. Retrieved from the internet<https://www.amazon.com/dp/B09TWG5BPX> (Year: 2021).\*

Walmart, Car Seat Seam Wedge Cup Holder TSV Food Drink Bottle Mount Stand, published Dec. 25, 2019 [retrieved Oct. 13, 2022]. Retrieved from the internet<https://www.walmart.com/ip/378441536> (Year: 2019).\*

\* cited by examiner

*Primary Examiner* — Joseph Kukella  
*Assistant Examiner* — Lavon M. Amerson  
(74) *Attorney, Agent, or Firm* — ScienBiziP, P.C.

(57) **CLAIM**

The ornamental design for a car seat gap storage box, as shown and described.

**DESCRIPTION**

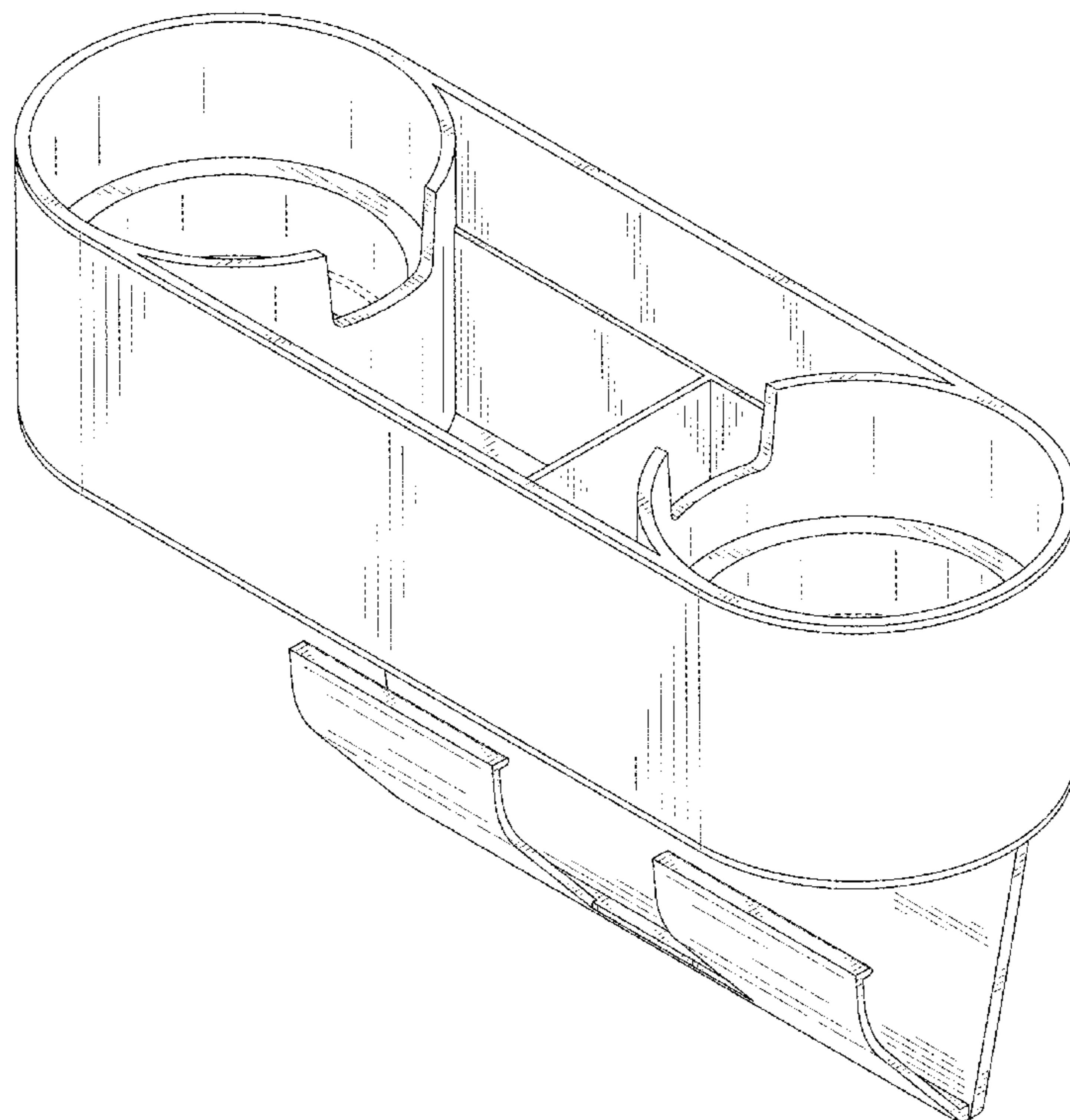
FIG. 1 is a front, right, and top perspective view of a car seat gap storage box, showing my design.  
FIG. 2 is a rear, left, and bottom perspective view thereof.  
FIG. 3 is a front elevation view thereof.  
FIG. 4 is a rear elevation view thereof.  
FIG. 5 is a left side elevation view thereof.  
FIG. 6 is a right side elevation view thereof.  
FIG. 7 is a top plan view thereof; and,  
FIG. 8 is a bottom plan view thereof.  
The broken lines shown in the drawings are included for the purpose of illustrating portions of the car seat gap storage box that form no part of the claimed design.

(56) **References Cited**

**U.S. PATENT DOCUMENTS**

D322,512 S \* 12/1991 Andrykovitz ..... D12/420  
D458,092 S \* 6/2002 Rumpf ..... D7/707  
D777,528 S \* 1/2017 Landphere ..... D12/419

**1 Claim, 8 Drawing Sheets**



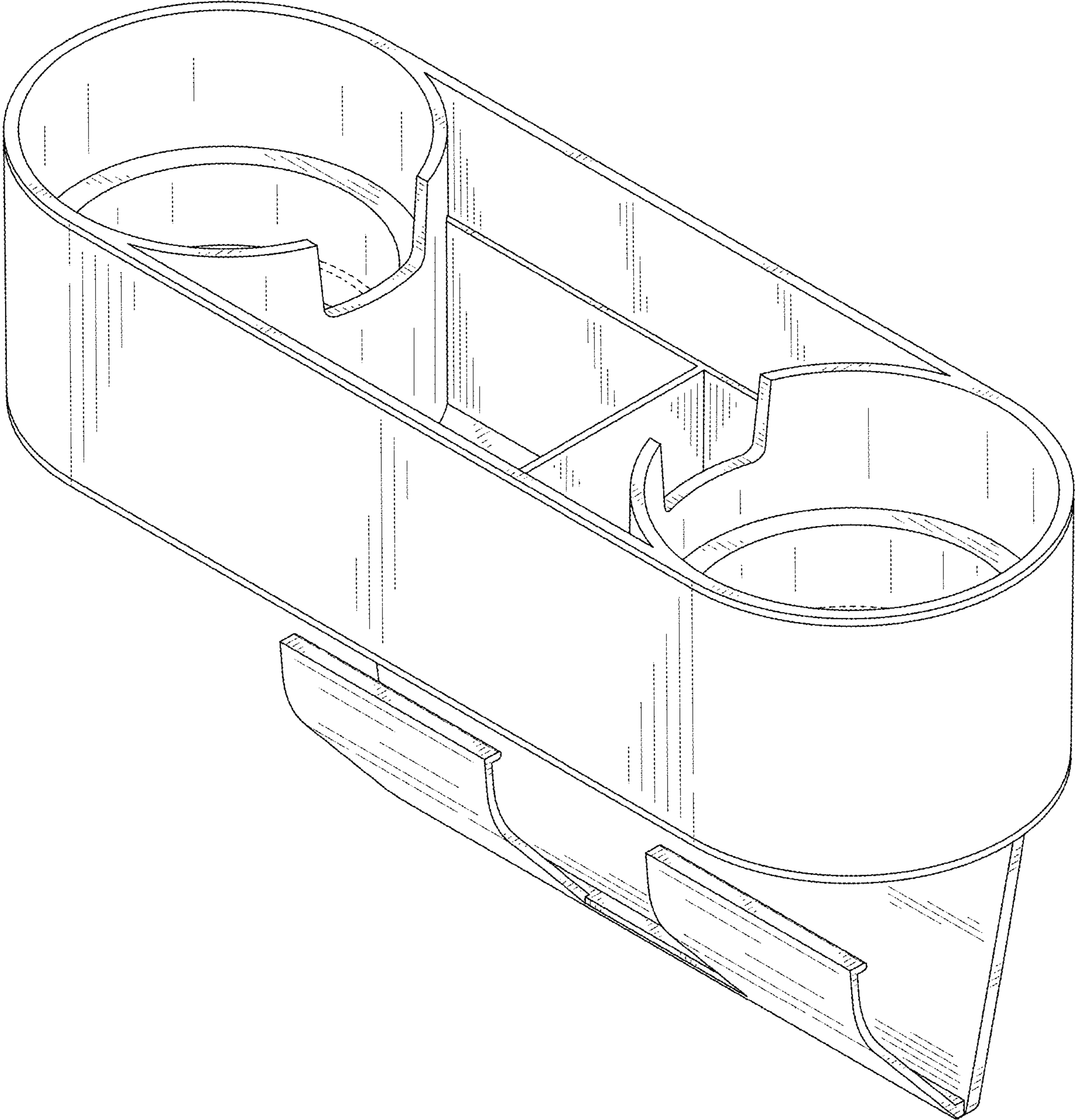


FIG. 1

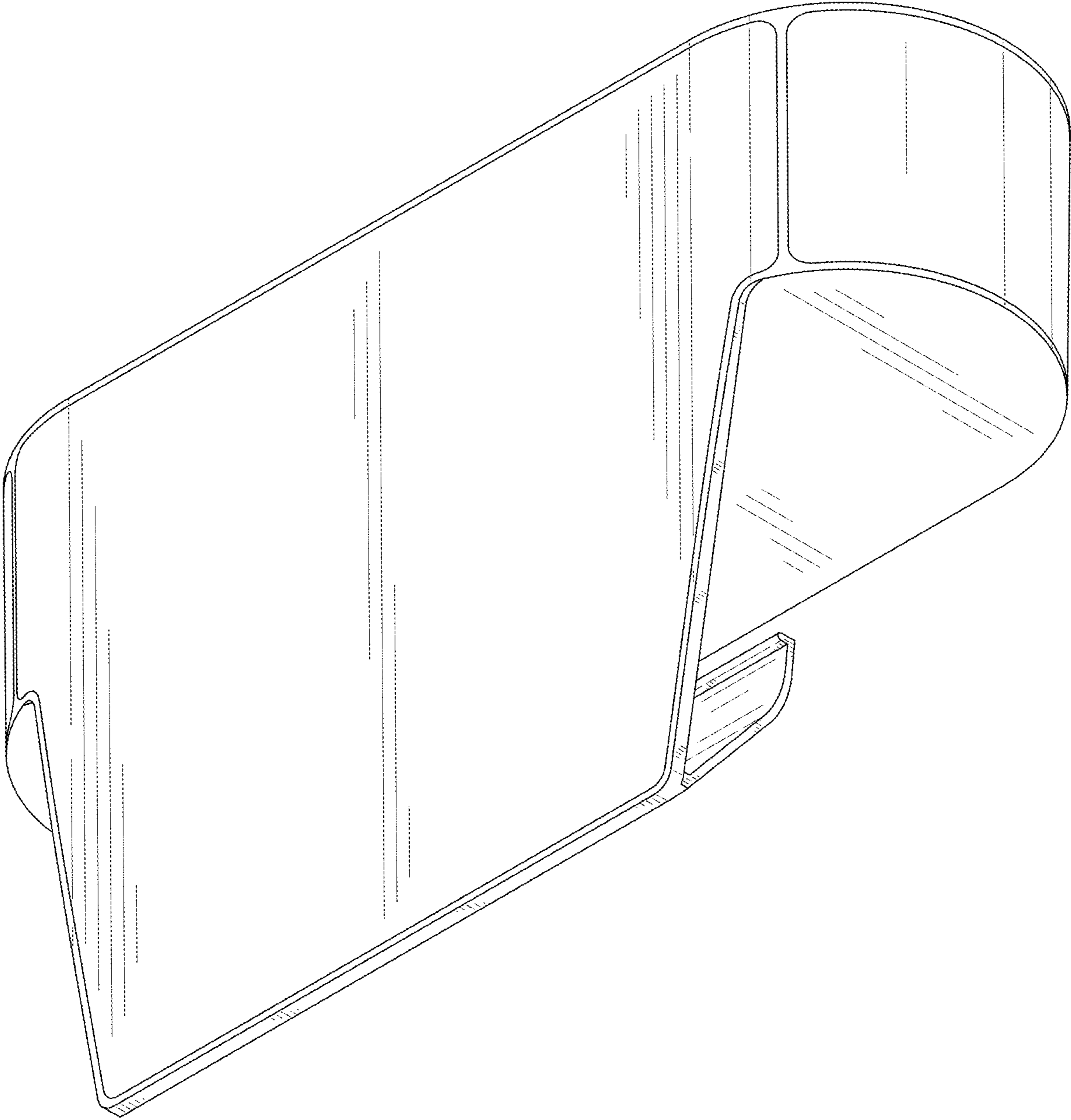


FIG. 2

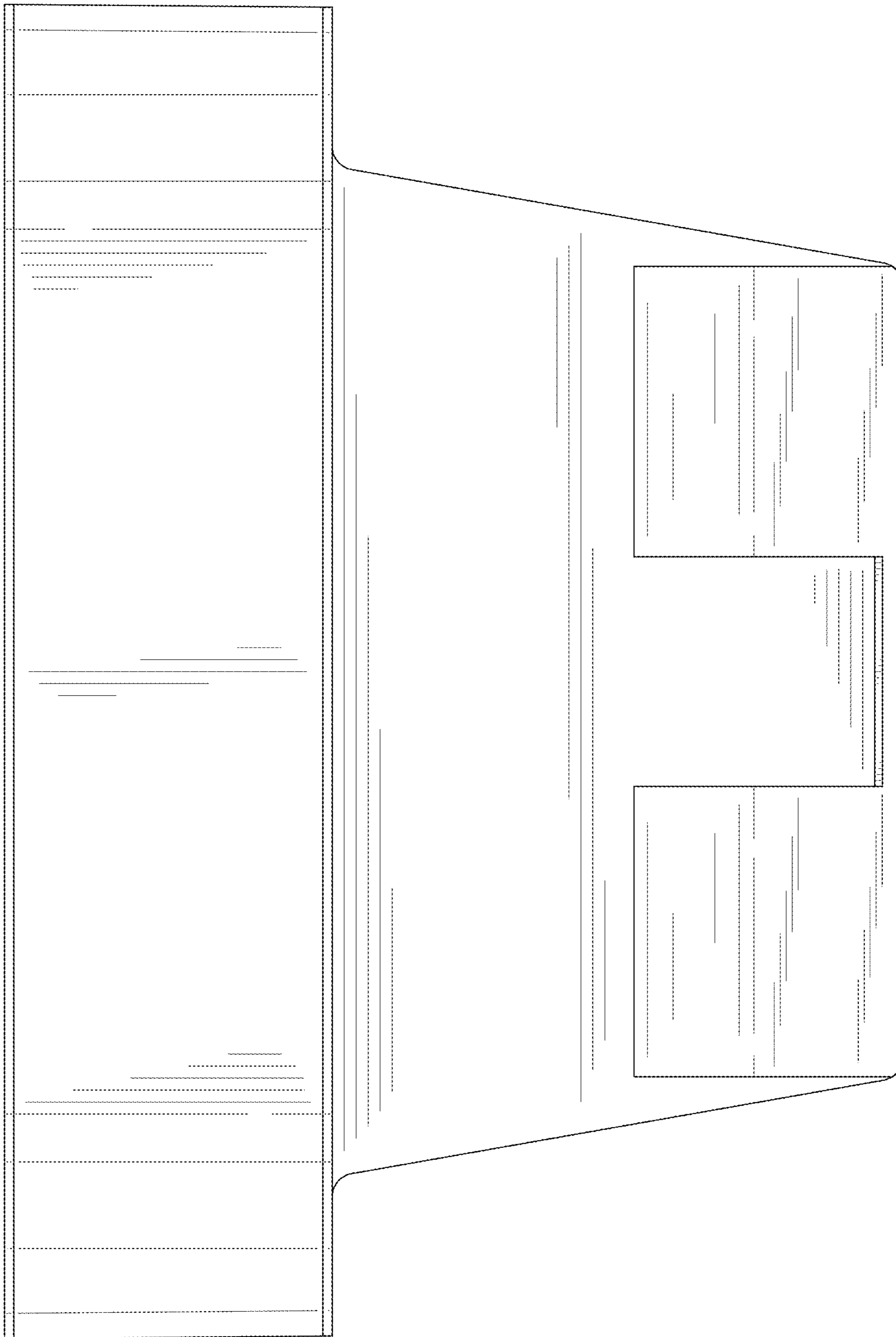


FIG. 3

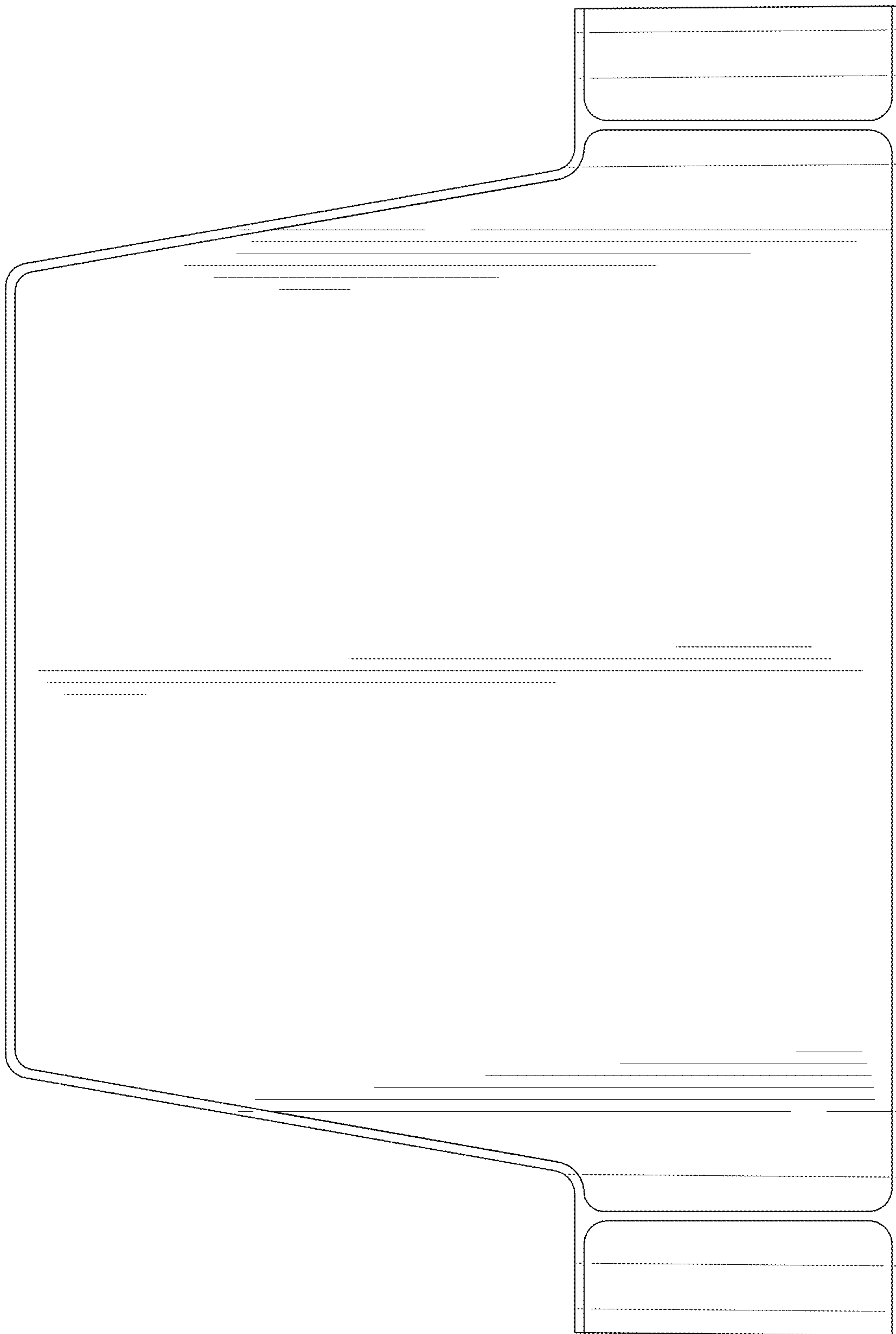


FIG. 4

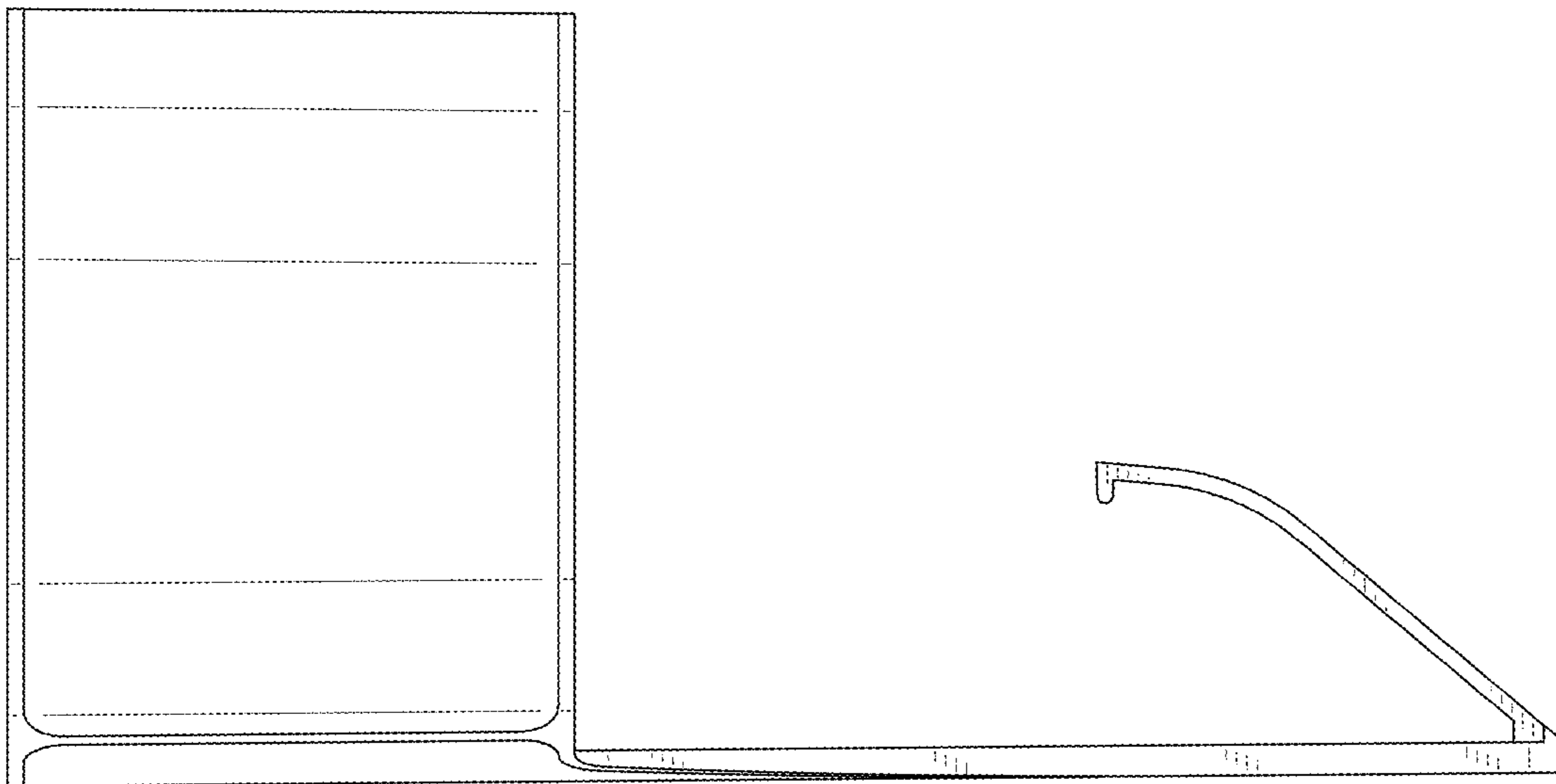


FIG. 5

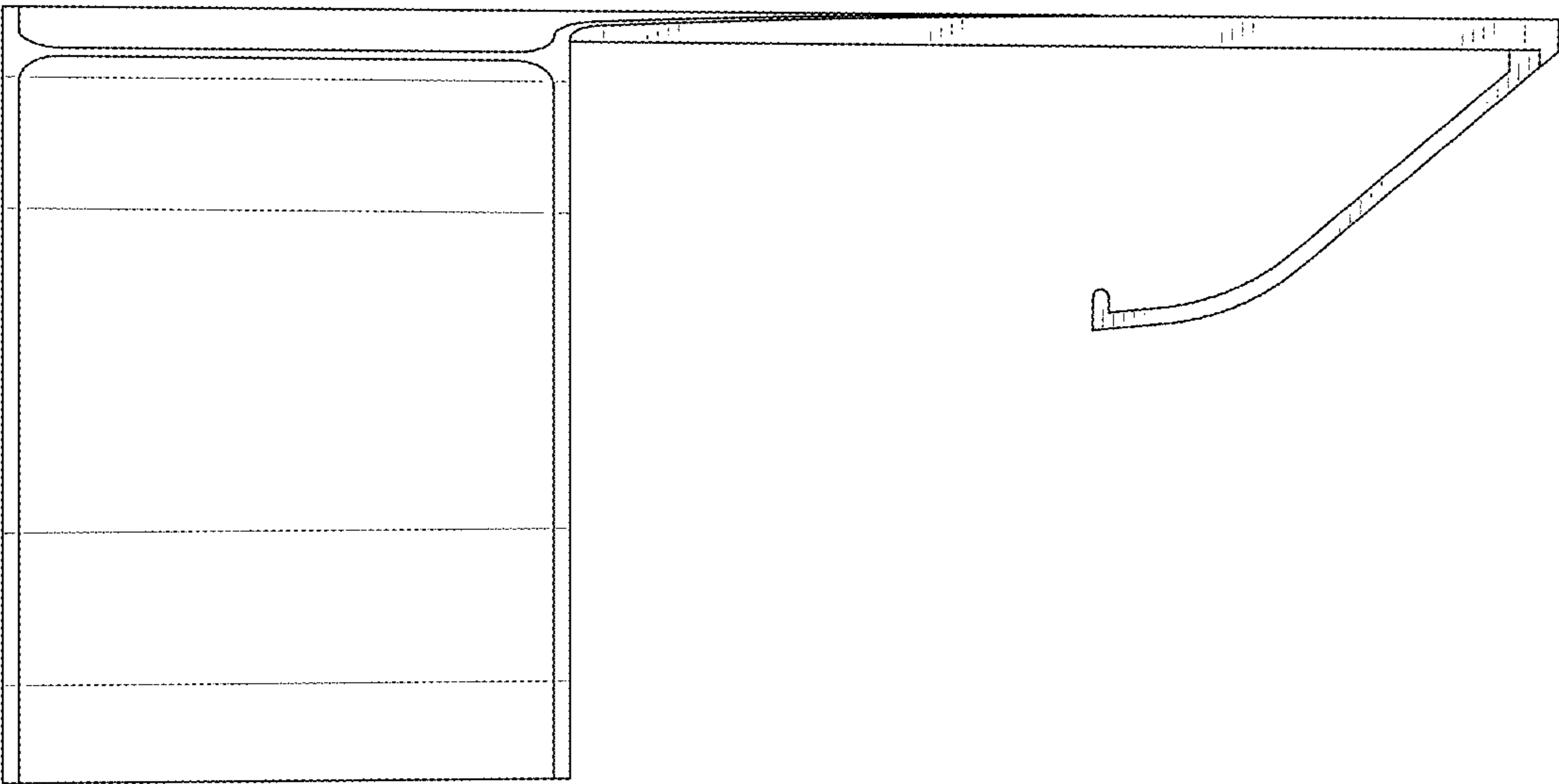


FIG. 6

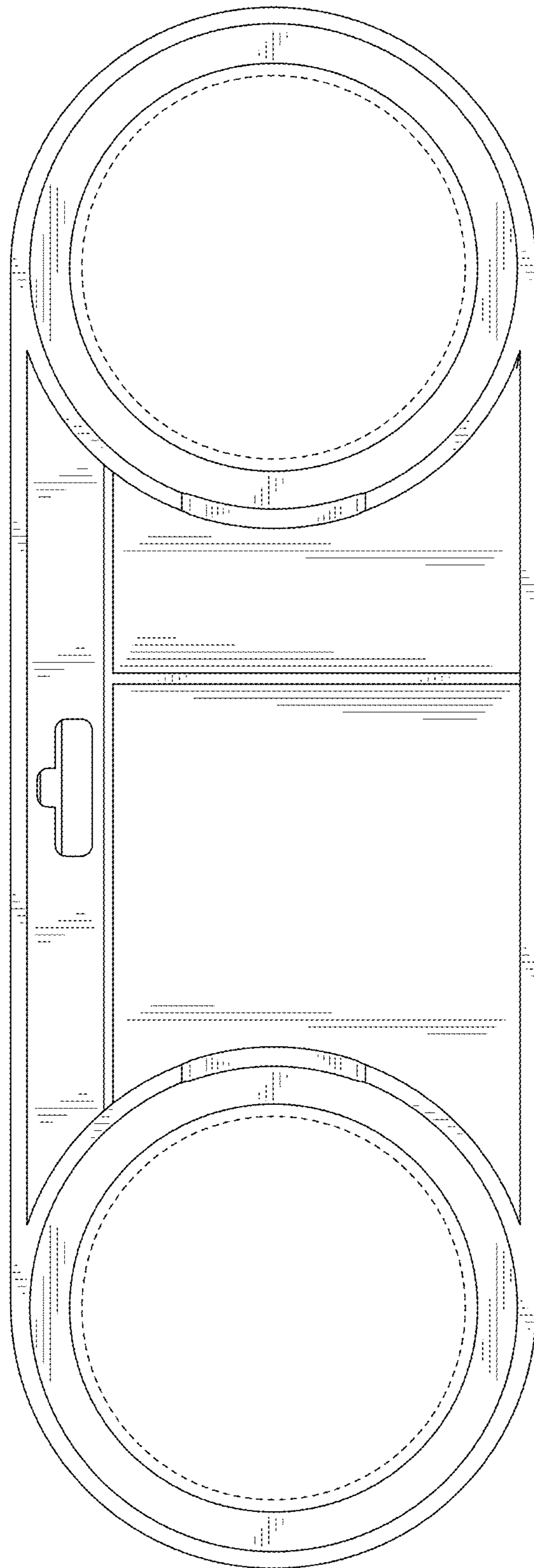


FIG. 7



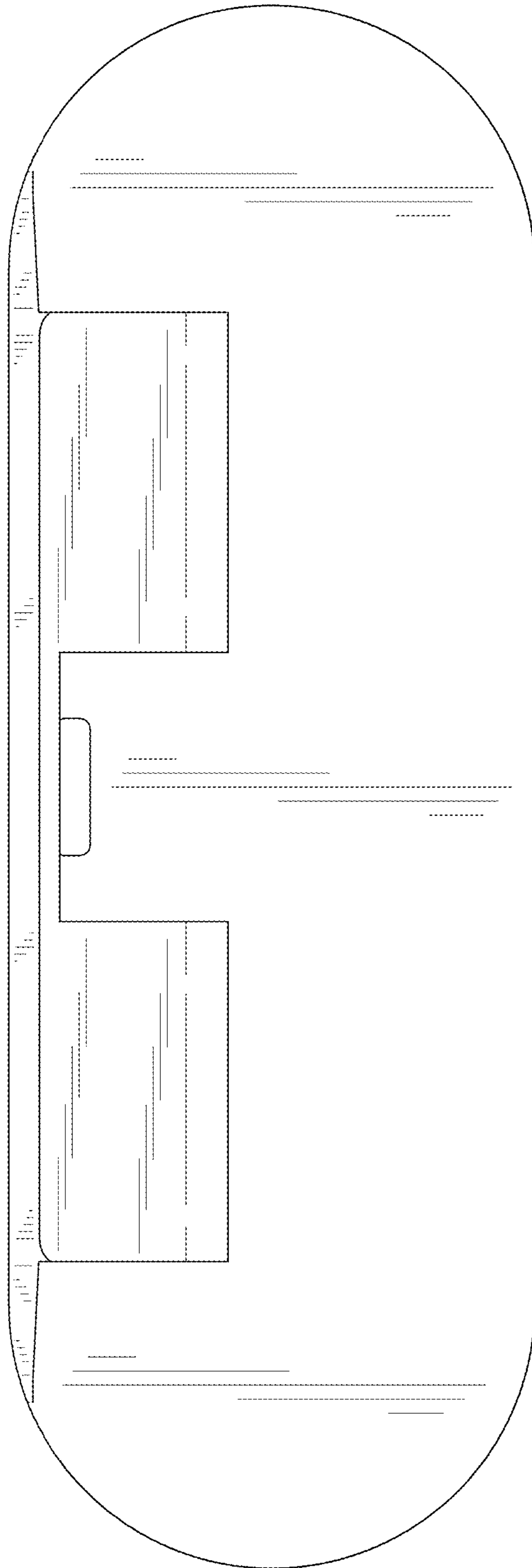


FIG. 8