



US00D981934S

(12) **United States Design Patent**
Wang

(10) **Patent No.:** **US D981,934 S**
(45) **Date of Patent:** **** Mar. 28, 2023**

(54) **BICYCLE WATER BOTTLE HOLDER**

(71) Applicant: **Anquan Wang**, Sichuan Province (CN)

(72) Inventor: **Anquan Wang**, Sichuan Province (CN)

(**) Term: **15 Years**

(21) Appl. No.: **29/801,146**

(22) Filed: **Jul. 27, 2021**

(30) **Foreign Application Priority Data**

Jul. 15, 2021 (CN) 202130450427.2

(51) **LOC (14) Cl.** **12-16**

(52) **U.S. Cl.**
USPC **D12/411**

(58) **Field of Classification Search**
USPC D7/300, 313, 316, 507, 509, 602, 620;
D12/114, 411, 413, 417, 420, 436
CPC B62J 7/00; B62J 7/02; B62J 7/04; B62J
9/00; B62J 11/00; B62K 27/02
See application file for complete search history.

(56) **References Cited**

U.S. PATENT DOCUMENTS

- D332,240 S * 1/1993 Schlanger D12/411
- D336,871 S * 6/1993 Lee-Chang D12/411
- D337,288 S * 7/1993 Ringle' D12/411
- D348,641 S * 7/1994 Tsushi D12/411
- D455,707 S * 4/2002 Sartore D12/411
- D507,232 S * 7/2005 Xie D12/411
- 6,932,255 B2 * 8/2005 Van Houtte B62J 11/04
248/311.2
- 7,207,538 B2 * 4/2007 Kent-Fawkes B65D 23/106
220/741
- D557,653 S * 12/2007 Meggiolan D12/411
- D605,578 S * 12/2009 Retief D12/411
- D640,624 S * 6/2011 Valiquette D12/411
- D684,104 S * 6/2013 Goldman D12/411
- D775,058 S * 12/2016 Overman D12/411

- 9,862,445 B2 * 1/2018 Chuang B62J 11/22
- 9,944,209 B1 * 4/2018 Carnevali B60N 3/108
- D949,636 S * 4/2022 Pan D7/620
- 11,345,424 B2 * 5/2022 Weiss B62J 11/04
- D953,964 S * 6/2022 Zhang D12/411
- 2011/0147423 A1 * 6/2011 Serpell B62J 11/04
215/370
- 2013/0270315 A1 * 10/2013 Tsai B62J 11/04
224/414
- 2016/0101821 A1 * 4/2016 Shih B62J 11/04
224/414

(Continued)

OTHER PUBLICATIONS

Alston Carbon Water Bottle Cage, Aug. 16, 2016, Amazon [online], [Site Visit Jan. 6, 2023], URL: Amazon.com : Alston Bottle cage (BC1009-L) Carbon Fiber Bicycle Bike Light Drink Water Bottle Cage Holder,Quick and Easy to Mount, Great for Road and Mountain Bikes : Sports & Outdoors (Year: 2016) (Year: 2016).*

(Continued)

Primary Examiner — Calvin E Vansant
Assistant Examiner — Giang Hoang Tran
(74) *Attorney, Agent, or Firm* — Sandy Lipkin

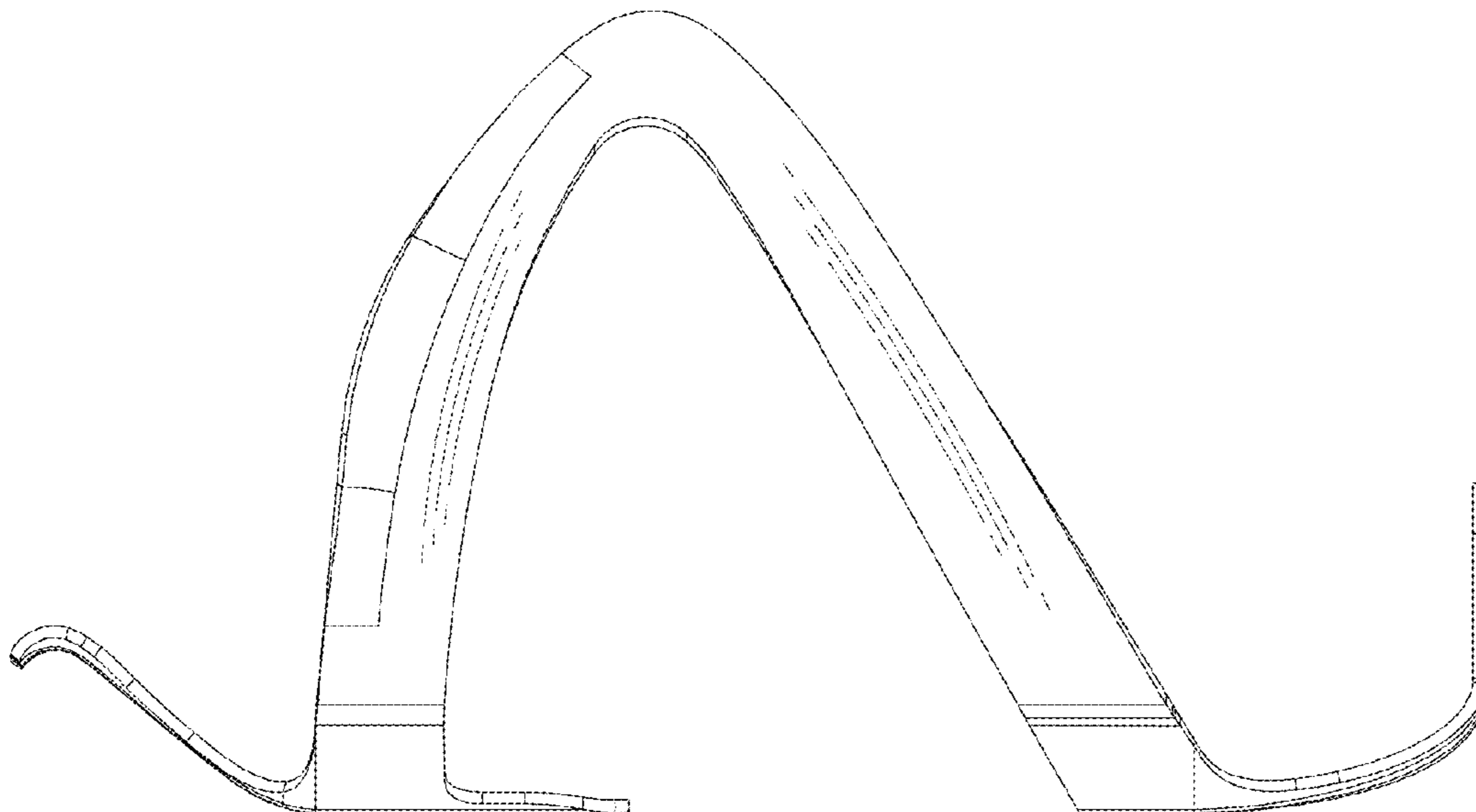
(57) **CLAIM**

The ornamental design for a bicycle water bottle holder, as shown and described.

DESCRIPTION

FIG. 1 is a front view of a bicycle water bottle holder, showing my new design;
FIG. 2 is a top plan view thereof;
FIG. 3 is a bottom plan view thereof;
FIG. 4 is a rear plan view thereof;
FIG. 5 is a left plan view thereof;
FIG. 6 is a right plan view thereof; and,
FIG. 7 is a perspective view thereof.

1 Claim, 7 Drawing Sheets



(56)

References Cited

U.S. PATENT DOCUMENTS

2018/0037286 A1* 2/2018 Chuang B62J 9/26

OTHER PUBLICATIONS

RicyrIk Carbon Fiber Water Bottle Cages, Dec. 10, 2020, Amazon [online], [Site Visit Jan. 6, 2023], URL: Amazon.com : Supacaz Fly Cage Ano—Black : Sports & Outdoors (Year: 2020) (Year: 2020).*

Teyssor Water Bottle Cage, Jul. 20, 2022, Amazon [online], [Site Visit Jan. 6, 2023], URL: Amazon.com: Teyssor Bike Water Bottle Cage, Bicycle Aluminum Alloy Water Bottle Holder Cages for Road Bike MTB, Black (2-Pack) : Sports & Outdoorss (Year: 2022) (Year: 2022).*

* cited by examiner

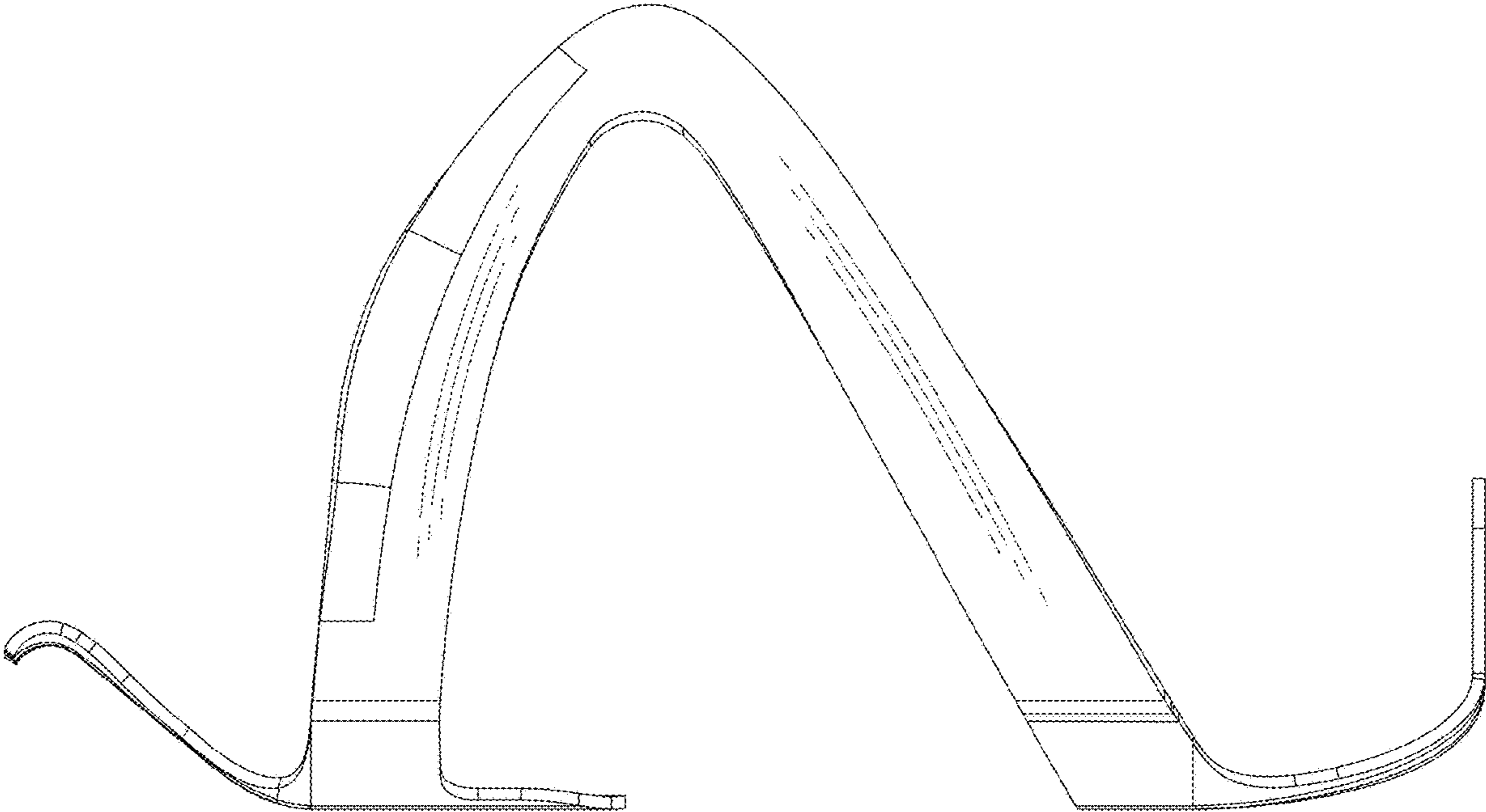


FIG. 1

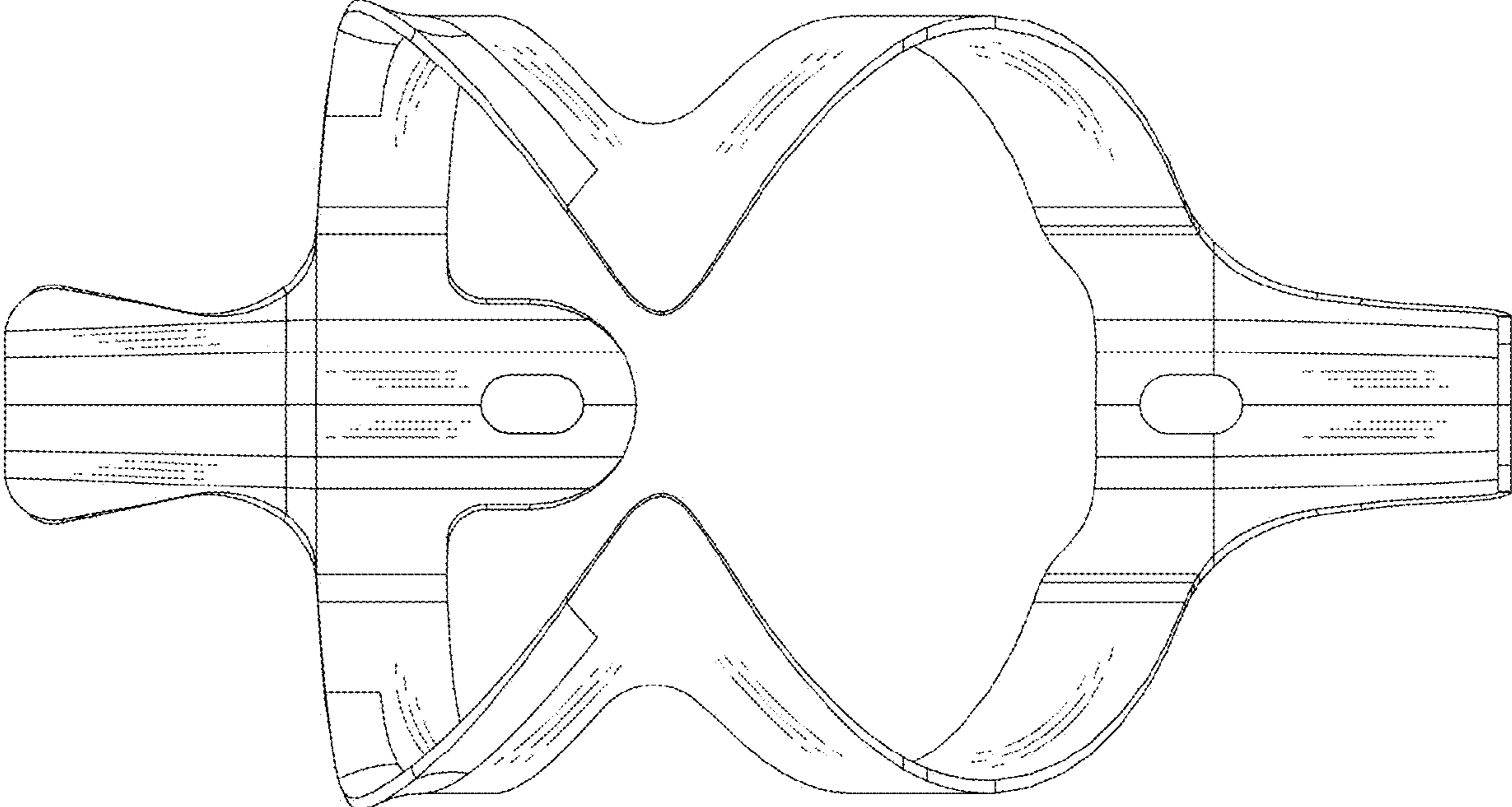


FIG. 2

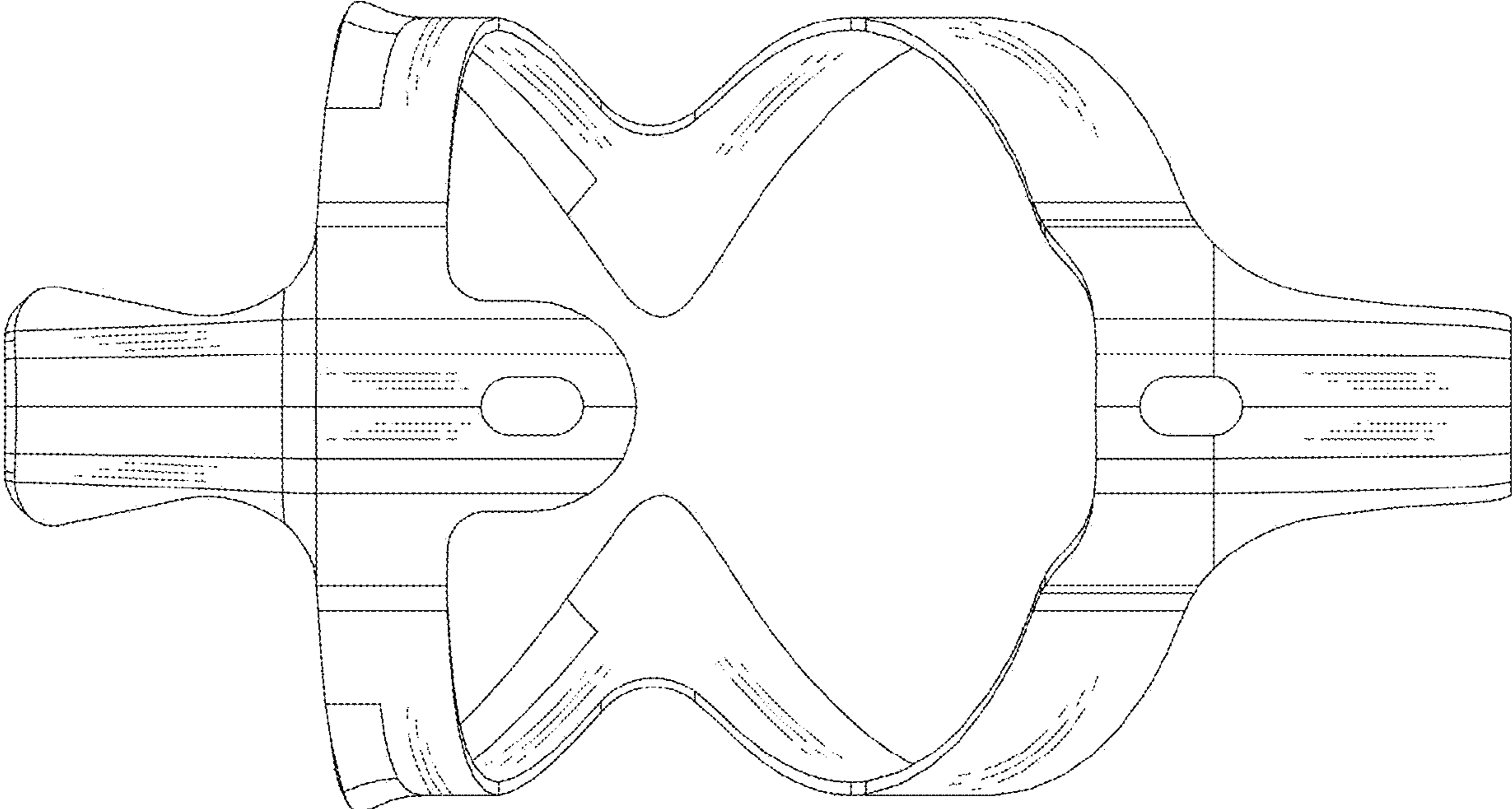


FIG. 3

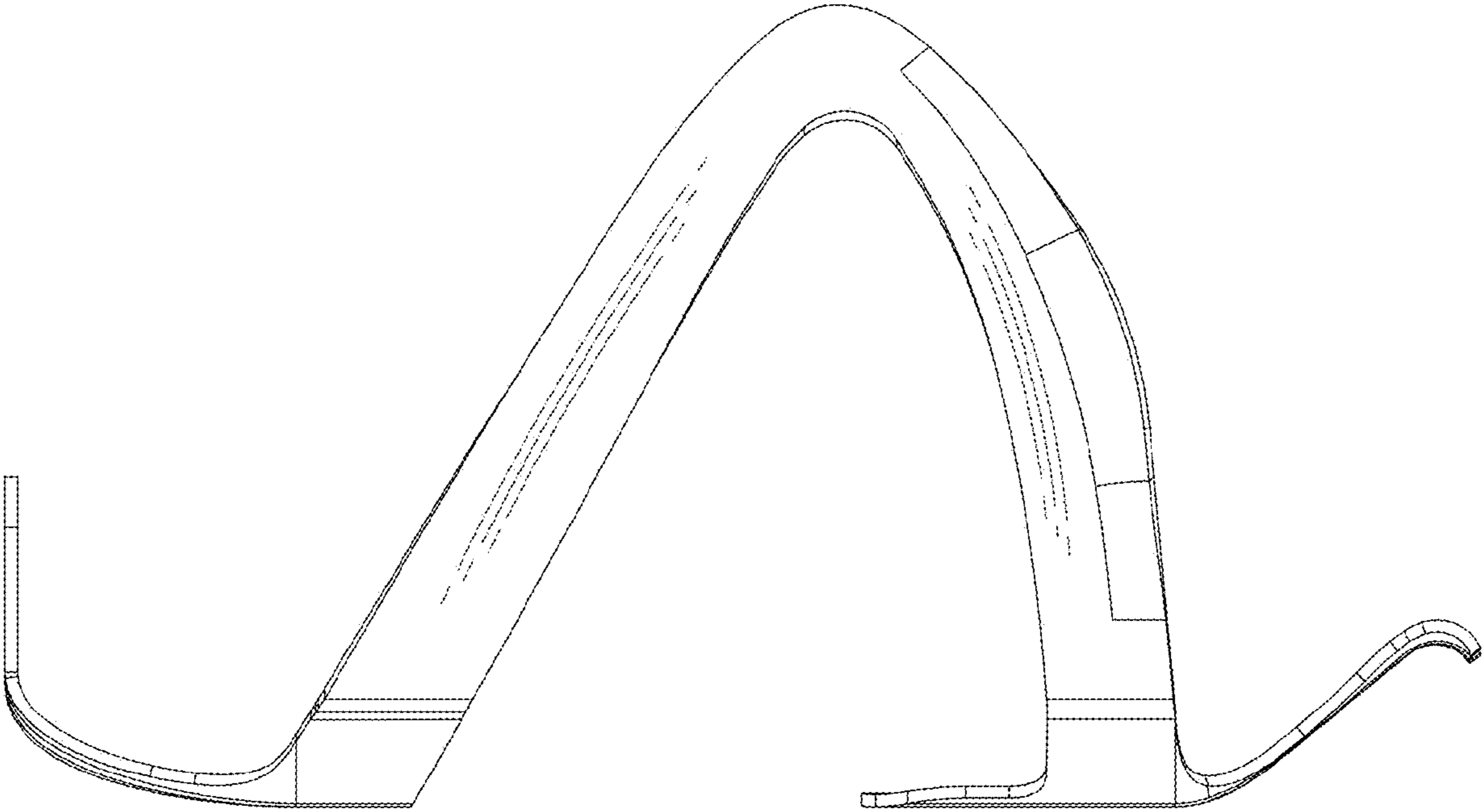


FIG. 4

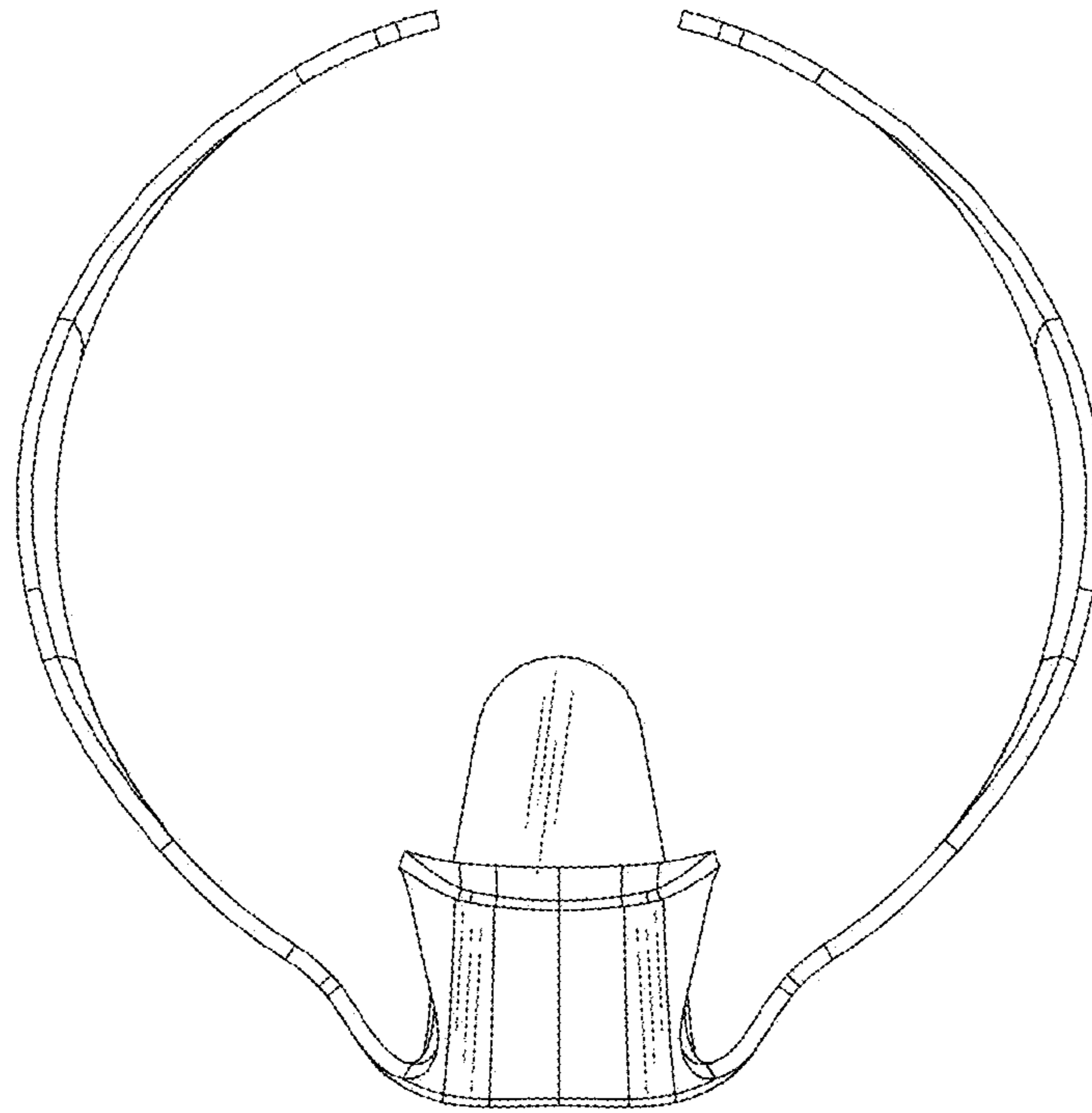


FIG. 5

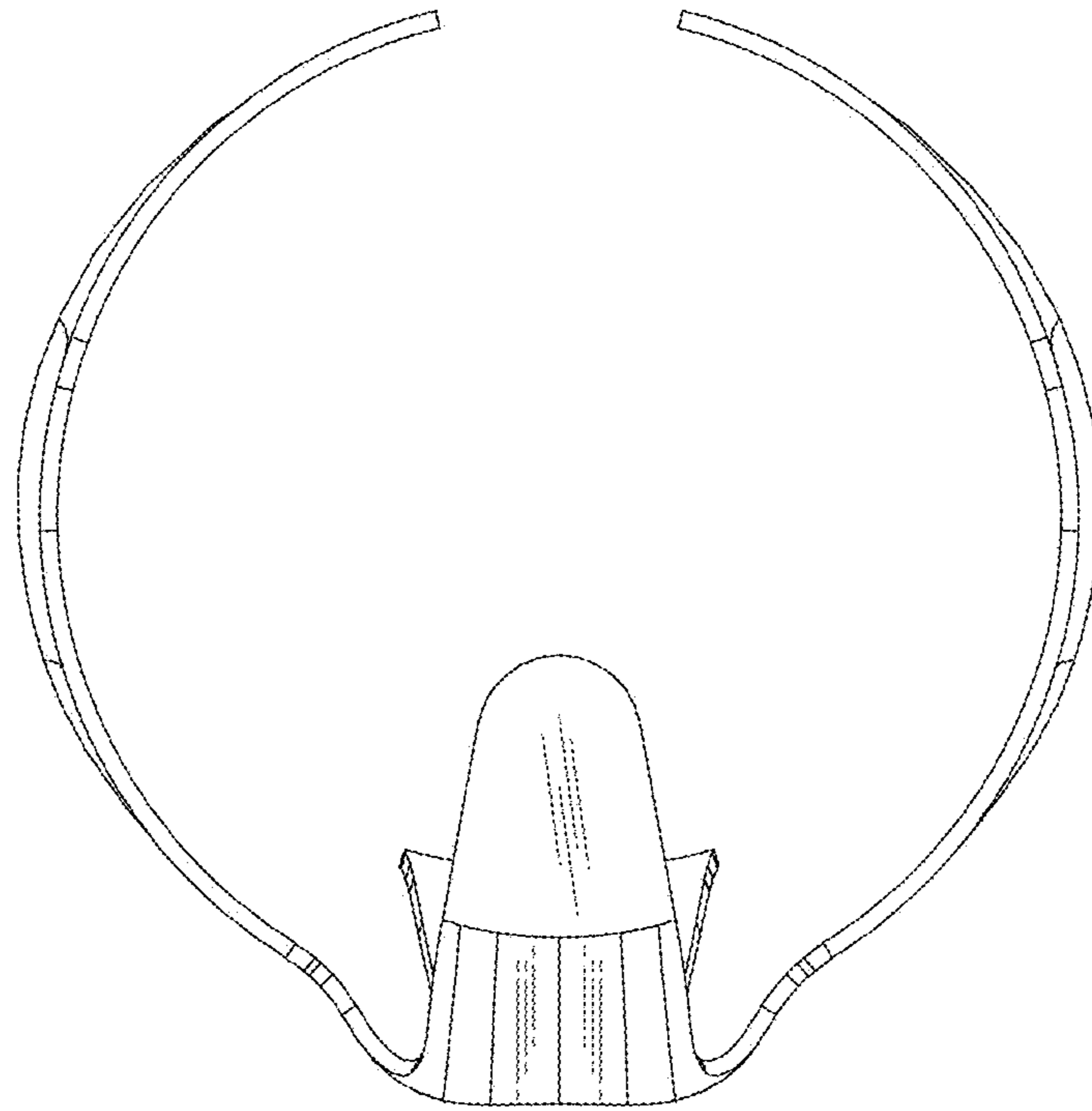


FIG. 6

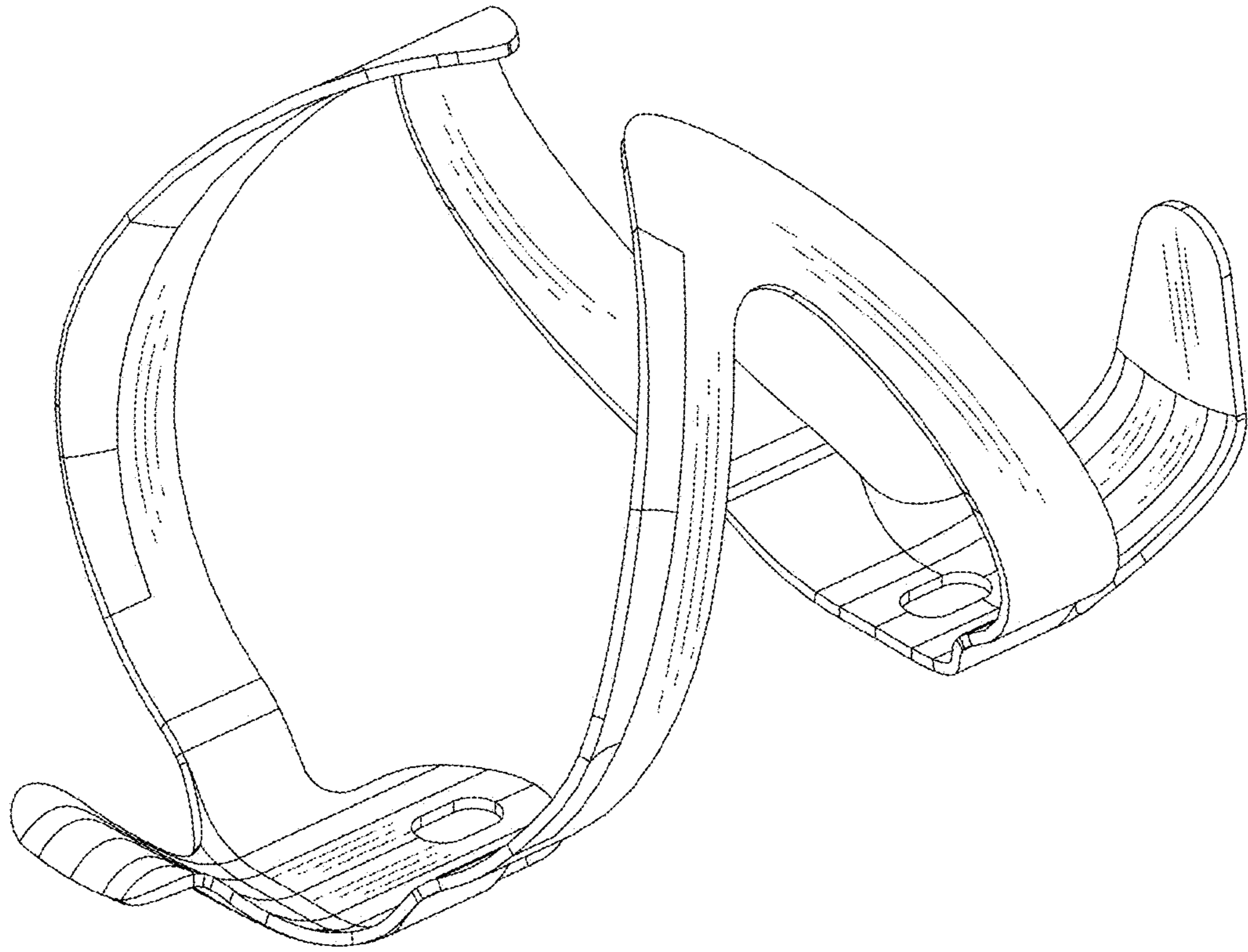


FIG. 7