



US00D981933S

(12) **United States Design Patent**
Sullivan et al.

(10) **Patent No.:** **US D981,933 S**
(45) **Date of Patent:** **** Mar. 28, 2023**

(54) **MODULAR SPARE TIRE SIDE MOUNT FOR ACCESSORIES**

(71) Applicants: **Royce Sullivan**, Temecula, CA (US);
Jerry Sullivan, Temecula, CA (US)

(72) Inventors: **Royce Sullivan**, Temecula, CA (US);
Jerry Sullivan, Temecula, CA (US)

(**) Term: **15 Years**

(21) Appl. No.: **29/834,718**

(22) Filed: **Apr. 13, 2022**

(51) **LOC (14) Cl.** **12-16**

(52) **U.S. Cl.**
USPC **D12/400**; D12/202

(58) **Field of Classification Search**
USPC D12/223, 202, 412, 414.1, 400, 406
CPC B62D 43/00; B62D 43/005; B62D 43/007;
B62D 43/02; B62D 43/06; B62D 43/08;
B62D 43/10

See application file for complete search history.

(56) **References Cited**

U.S. PATENT DOCUMENTS

1,186,073	A *	6/1916	Brown	B60R 9/06 206/304
1,845,292	A *	2/1932	Kuzmich	B62D 43/007 224/42.25
D206,185	S *	11/1966	Davis	D12/202
5,203,479	A *	4/1993	Lucas	B62D 43/02 296/37.6
5,228,608	A *	7/1993	Stout, III	B62D 43/005 D12/202
5,871,327	A *	2/1999	McWha	B60B 29/00 414/466
6,003,922	A *	12/1999	Giesey	B60R 13/105 224/42.21
6,098,855	A *	8/2000	Grabowski	B62D 43/02 40/200

6,477,798	B1 *	11/2002	Giesey	B62D 43/02 224/42.2
D792,826	S *	7/2017	McMath	D12/202
D859,496	S *	9/2019	Diaz	D16/208

(Continued)

FOREIGN PATENT DOCUMENTS

CN	303438532	*	11/2015
CN	305715113	*	4/2020

(Continued)

Primary Examiner — Sheryl Lane

Assistant Examiner — Ieisha N Price

(74) *Attorney, Agent, or Firm* — Quickpatents, LLC;
Kevin Prince

(57) **CLAIM**

The ornamental design for a modular spare tire side mount for accessories, as shown and described.

DESCRIPTION

FIG. 1 is a top perspective view of a modular spare tire side mount for accessories, showing my new design as mounted to a tire;

FIG. 2 is a top perspective view thereof, illustrated with the tire omitted for clarity of illustration;

FIG. 3 is a front elevational view of FIG. 2, the rear elevational view being a mirror image thereof;

FIG. 4 is a left-side elevational view of FIG. 2;

FIG. 5 is a right-side elevational view of FIG. 2;

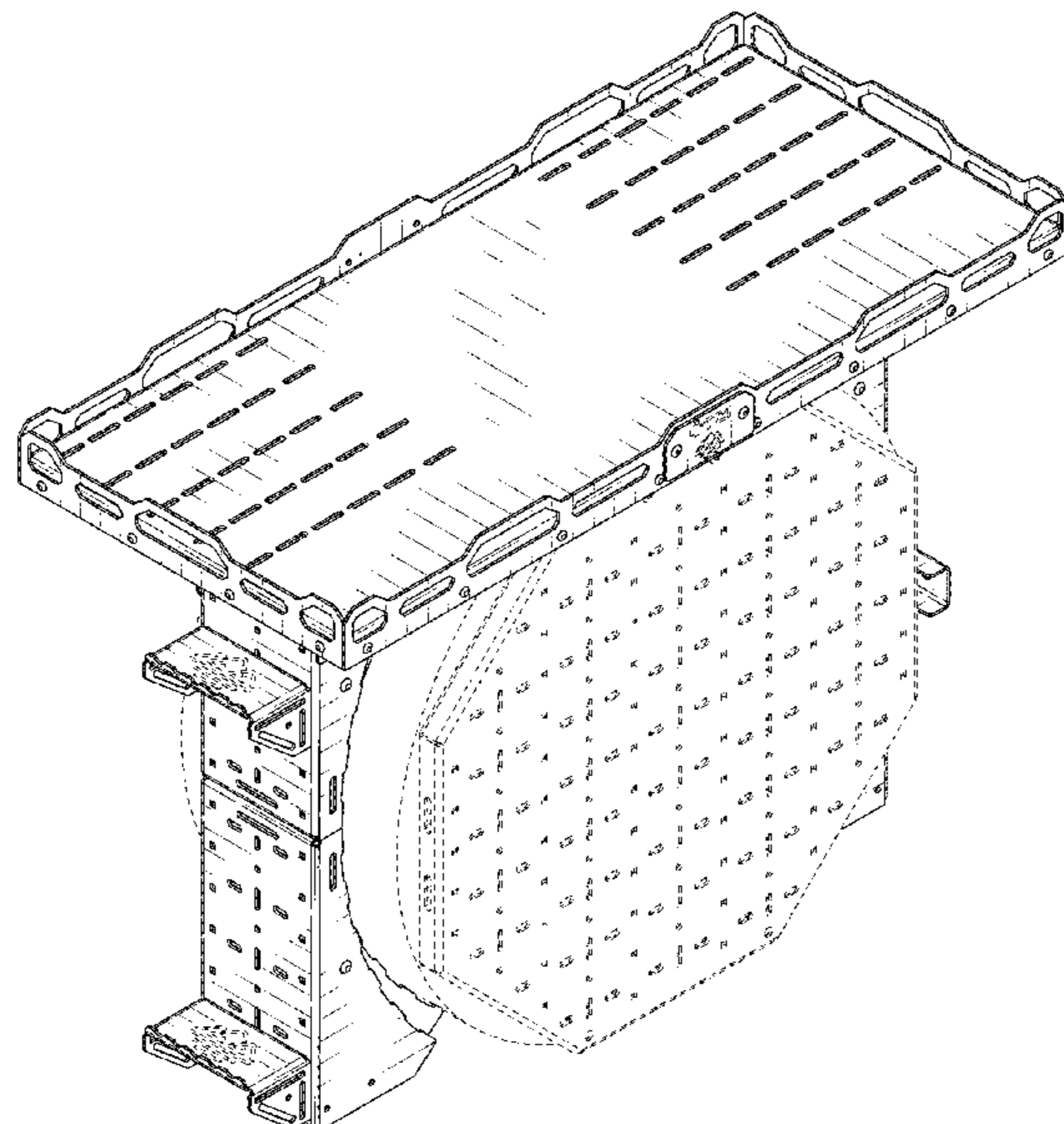
FIG. 6 is a top plan view of FIG. 2;

FIG. 7 is a bottom plan view of FIG. 2; and,

FIG. 8 is a bottom perspective view of FIG. 2.

The broken lines showing of the tire and tire face accessory mount, in FIG. 1, illustrate the environment of the claimed design and forms no part thereof. The remaining broken lines in the drawings illustrate portions of the modular spare tire side mount for accessories and form no part of the claimed design.

1 Claim, 7 Drawing Sheets



(56)

References Cited

U.S. PATENT DOCUMENTS

D866,449 S * 11/2019 Walker D12/412
10,479,284 B1 * 11/2019 Salyer B60R 9/06
D877,040 S * 3/2020 Schellens D12/412
D912,606 S * 3/2021 Chen D12/412
D916,645 S * 4/2021 McGraw D12/412
D952,540 S * 5/2022 Yang D12/412
2002/0050500 A1 * 5/2002 Vasseur B62D 43/08
224/42.21
2005/0000990 A1 * 1/2005 Gilstrap B62J 9/22
224/42.2
2006/0285953 A1 * 12/2006 Wooten B62D 43/02
414/463
2012/0031934 A1 * 2/2012 Danze B62D 43/00
224/42.12
2015/0230599 A1 * 8/2015 Larimer B62D 43/02
108/13
2020/0298917 A1 * 9/2020 Unger B62D 43/02

FOREIGN PATENT DOCUMENTS

CN 305808085 * 5/2020
CN 307158990 * 3/2022
IN 222082-0001 * 12/2010

* cited by examiner

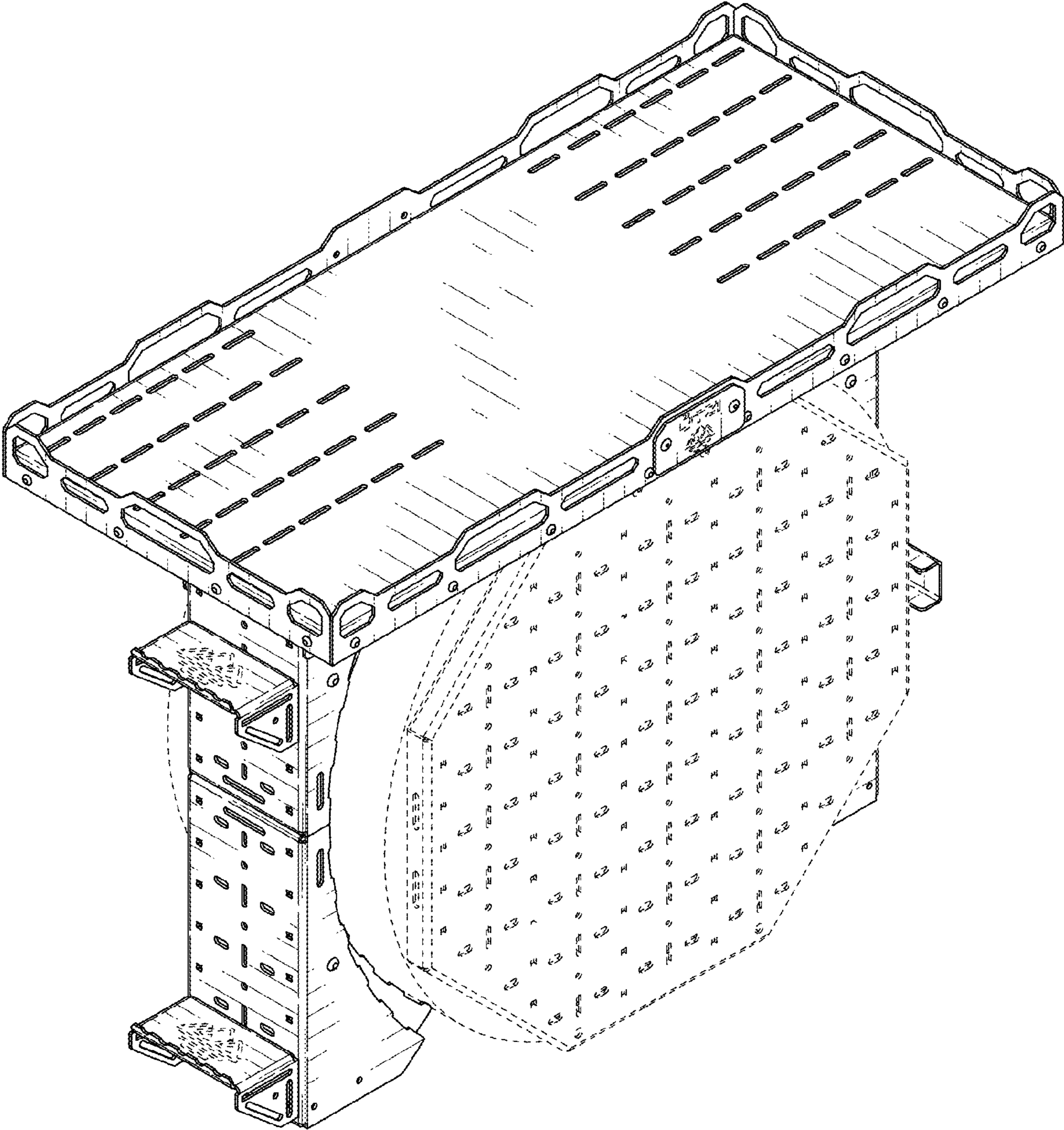


FIG. 1

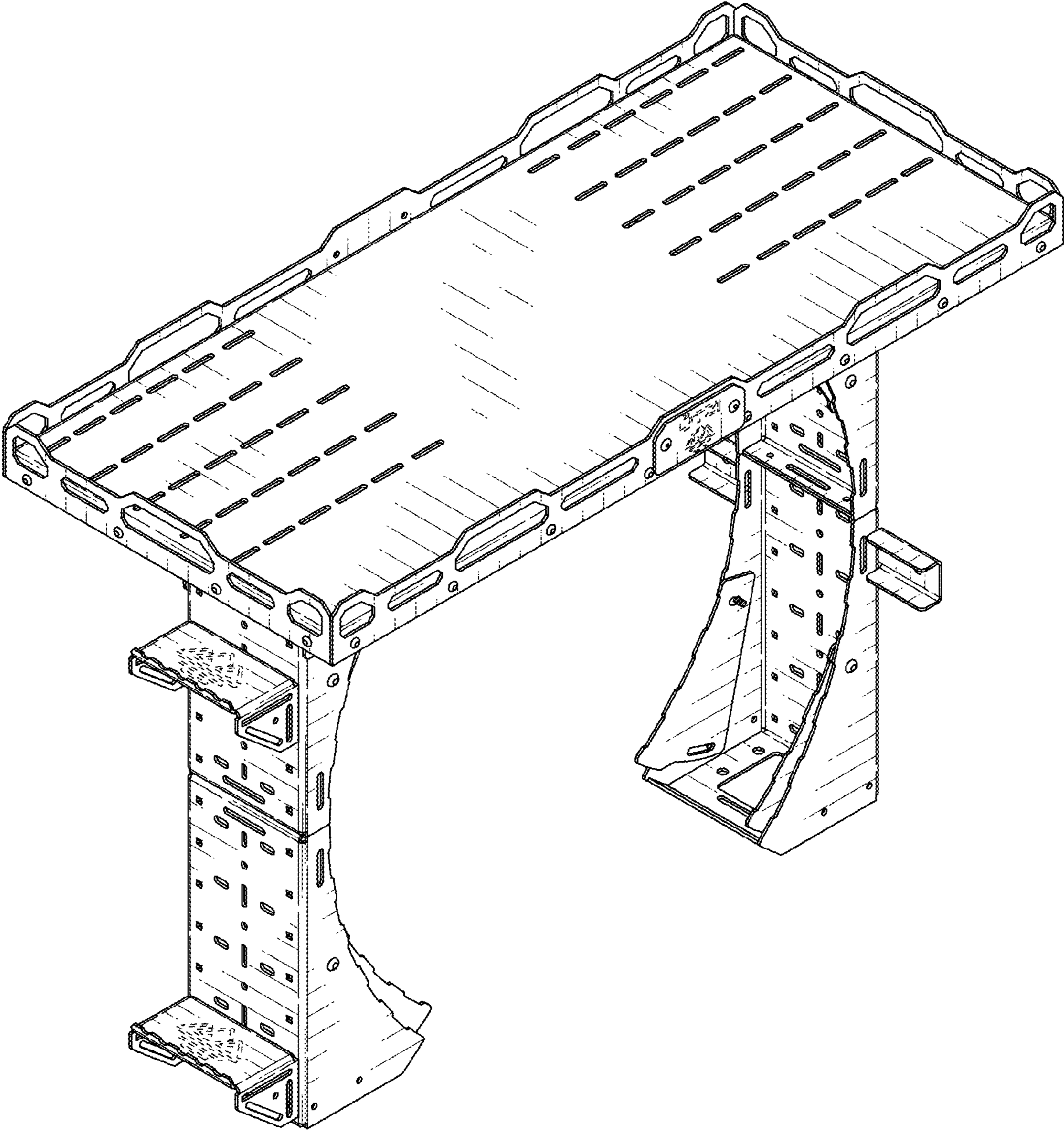


FIG. 2

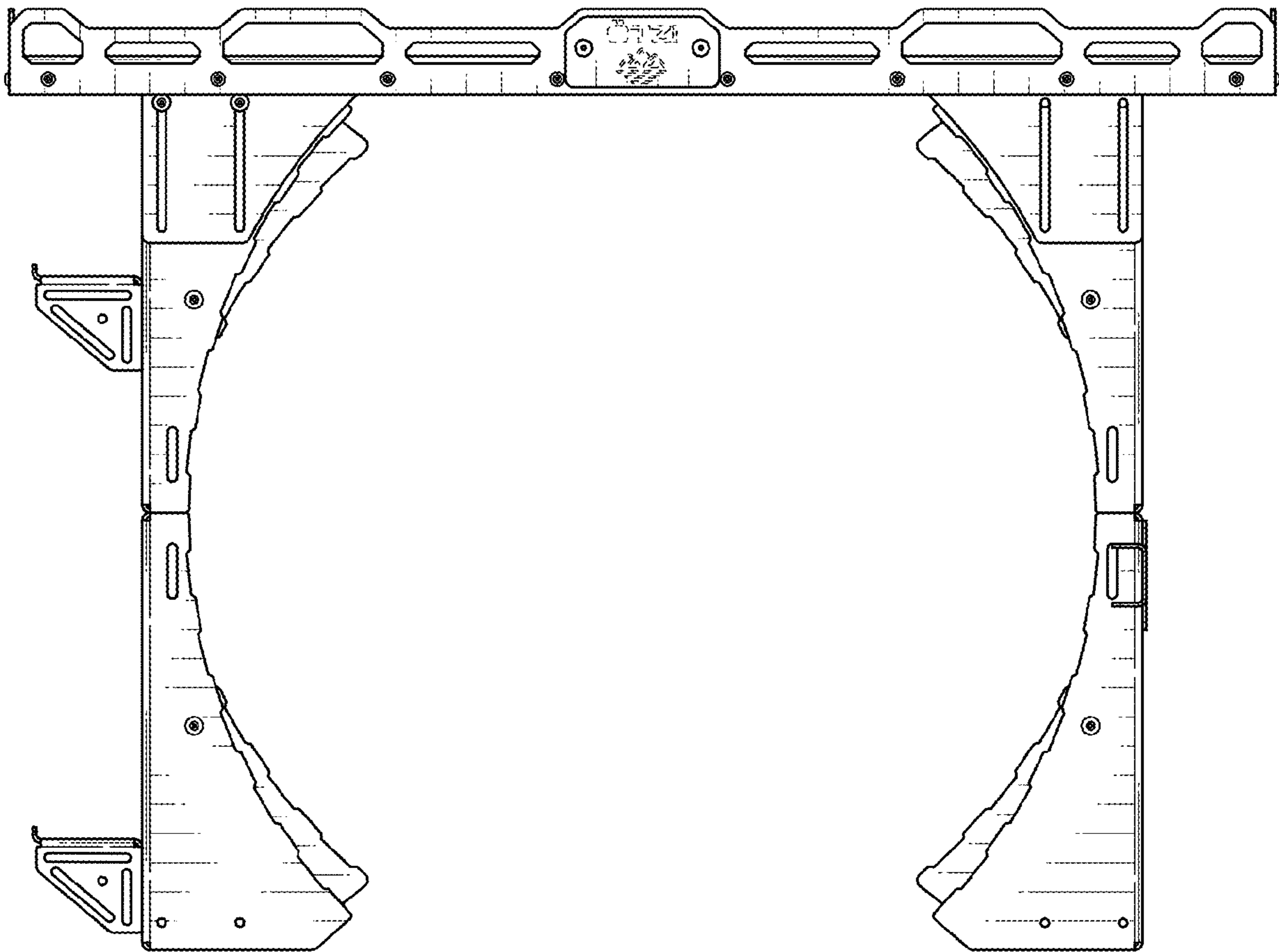


FIG. 3

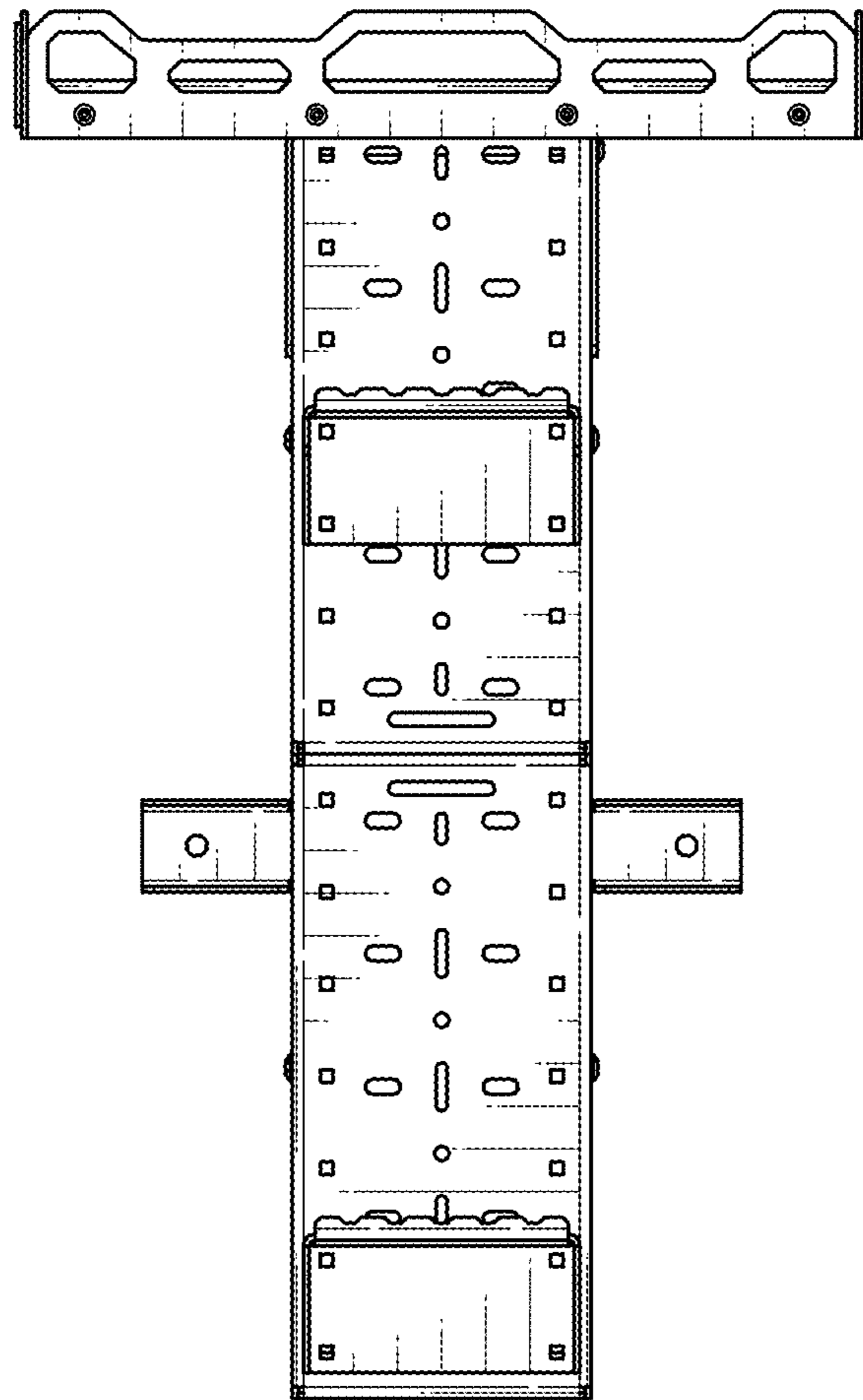


FIG. 4

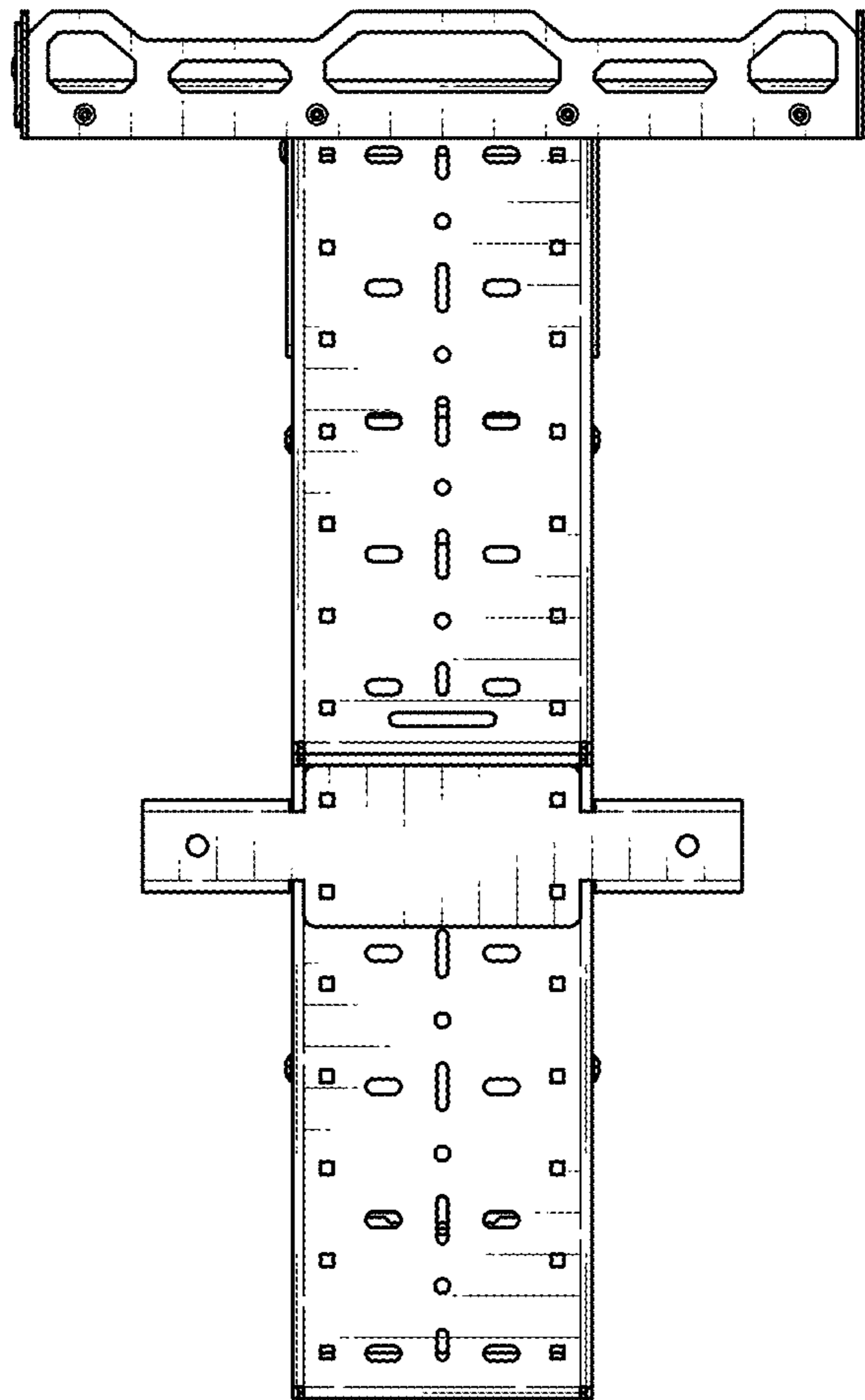


FIG. 5

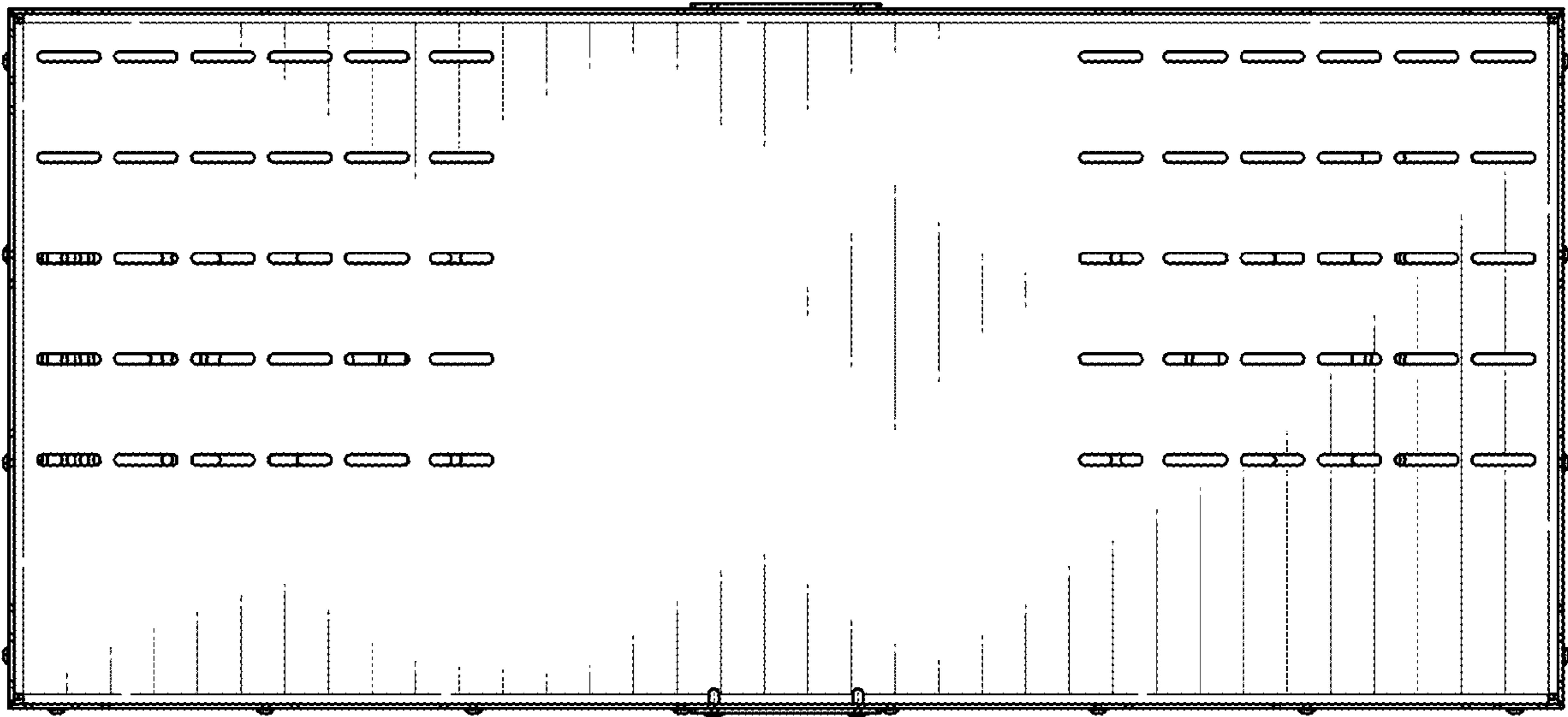


FIG. 6

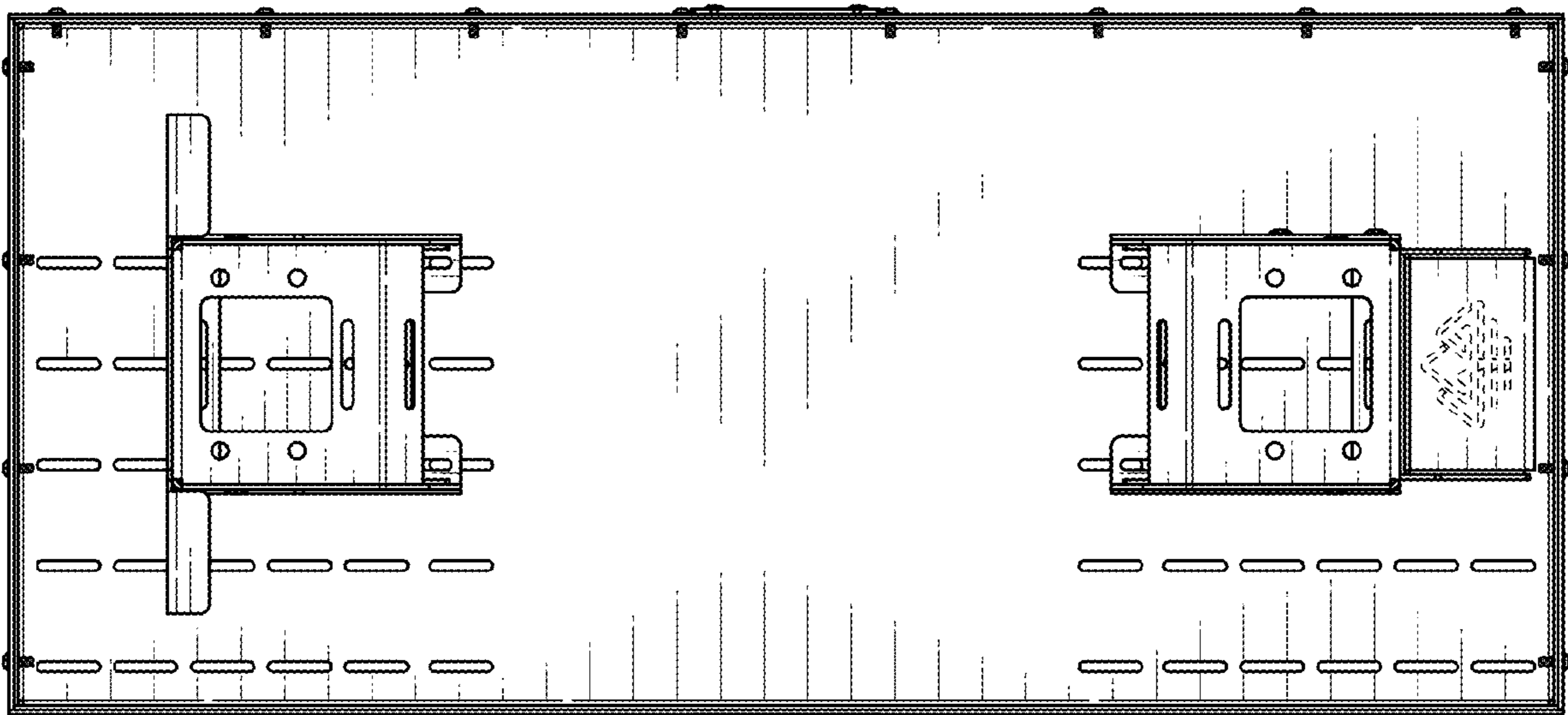


FIG. 7

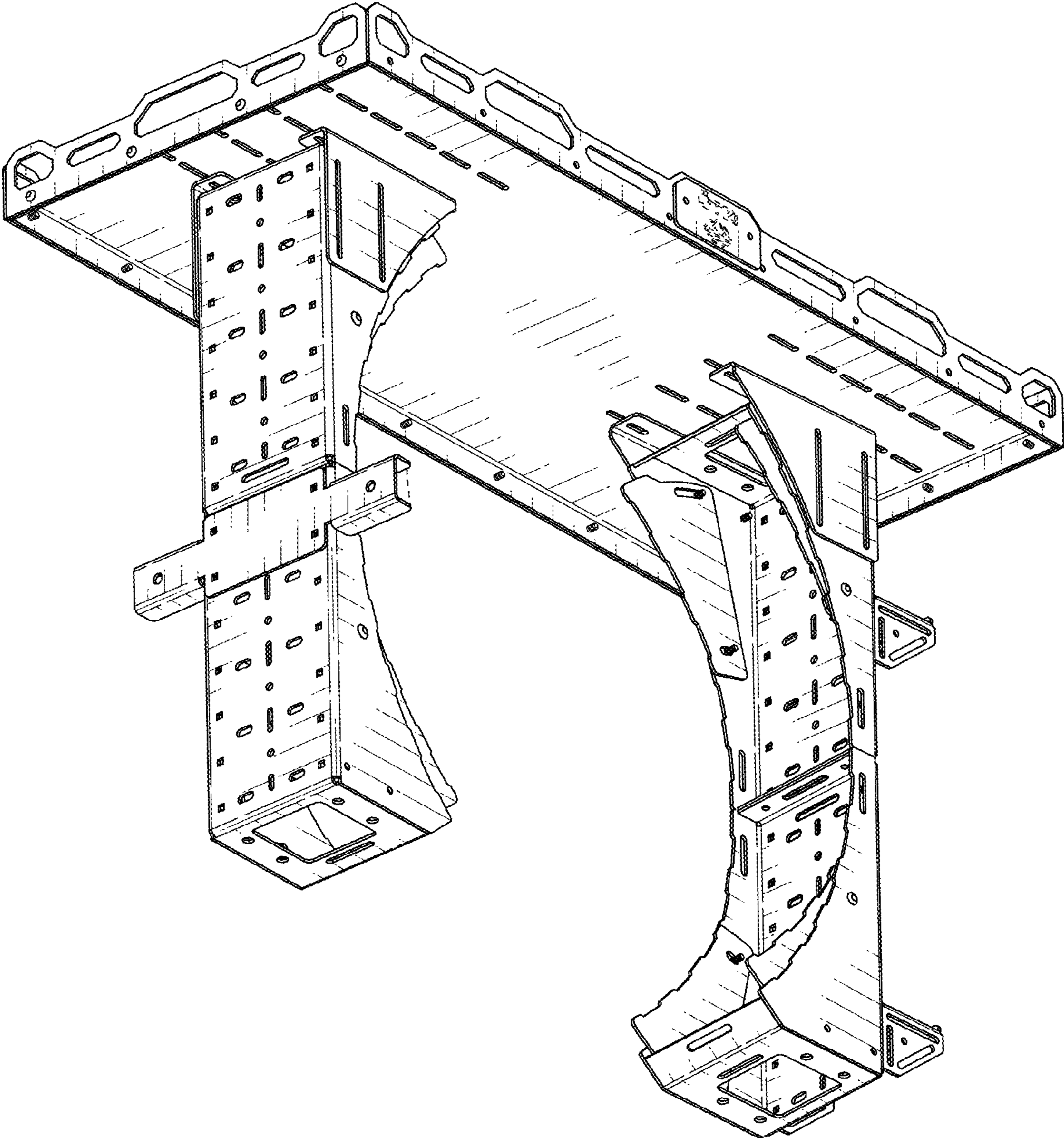


FIG. 8