



US00D981927S

(12) **United States Design Patent**  
**McCall**

(10) **Patent No.:** **US D981,927 S**  
(45) **Date of Patent:** **\*\* Mar. 28, 2023**

(54) **VEHICLE DOOR**

3/32; B60R 13/02; B60R 13/0206; B60R  
13/0243; B60R 21/0428

See application file for complete search history.

(71) Applicant: **Rivian IP Holdings, LLC**, Plymouth,  
MI (US)

(56) **References Cited**

(72) Inventor: **David McCall**, Newport Beach, CA  
(US)

U.S. PATENT DOCUMENTS

(73) Assignee: **Rivian IP Holdings, LLC**, Irvine, CA  
(US)

D615,017	S	*	5/2010	Smith	.....	D12/195
D704,613	S	*	5/2014	Nakao	.....	D12/195
D719,884	S	*	12/2014	Peltola	.....	D12/195
D763,757	S	*	8/2016	Buffery	.....	D12/195
D814,374	S	*	4/2018	Patterson	.....	D12/195
D823,208	S	*	7/2018	Boyes	.....	D12/195
D835,556	S	*	12/2018	Ray	.....	D12/195
D853,921	S	*	7/2019	Buffery	.....	D12/195
D879,690	S	*	3/2020	Buffery	.....	D12/195
D879,691	S	*	3/2020	Sandys	.....	D12/195
D880,387	S	*	4/2020	Webber	.....	D12/195

(\*\*) Term: **15 Years**

(Continued)

(21) Appl. No.: **29/756,557**

(22) Filed: **Oct. 29, 2020**

(51) **LOC (14) Cl.** ..... **12-08**

(52) **U.S. Cl.**  
USPC ..... **D12/195**

(58) **Field of Classification Search**  
USPC ... D12/1, 12, 13, 14, 15, 82, 83, 84, 85, 86,  
D12/88, 89, 90, 91, 92, 93, 94, 95, 96,  
D12/97, 98, 99, 100, 181, 184, 185, 190,  
D12/192, 195, 196, 400, 414; D21/533,  
D21/548, 552, 561; D15/10, 11, 12, 22,  
D15/23, 24, 25, 26, 28, 30, 33  
CPC ..... B60J 5/00; B60J 5/02; B60J 5/04; B60J  
5/0412; B60J 5/0413; B60J 5/0425; B60J  
5/0437; B60J 5/0441; B60J 5/0444; B60J  
5/0447; B60J 5/0452; B60J 5/0463; B60J  
5/0469; B60J 5/0476; B60J 5/0483; B60J  
5/0486; B60J 5/0487; B60J 5/049; B60J  
5/10; B60J 5/101; B60J 5/102; B60J  
5/103; B60J 5/107; B62D 25/02; B62D  
25/04; B62D 25/08; B62D 25/087; B62D  
25/10; B62D 25/105; B62D 35/00; B60P

OTHER PUBLICATIONS

Rivian Amazon EV Delivery Van, Published Oct. 9, 2020 [online],  
[retrieved on Jun. 1, 2022]. Retrieved from the Internet: <https://tfltruck.com/2020/10/the-rivian-amazon-ev-delivery-van-is-getting-closer-to-reality/> (Year: 2020).\*

*Primary Examiner* — Cary M Robinson  
*Assistant Examiner* — Adam C Mager  
(74) *Attorney, Agent, or Firm* — Clements Bernard  
Walker; Christopher L. Bernard

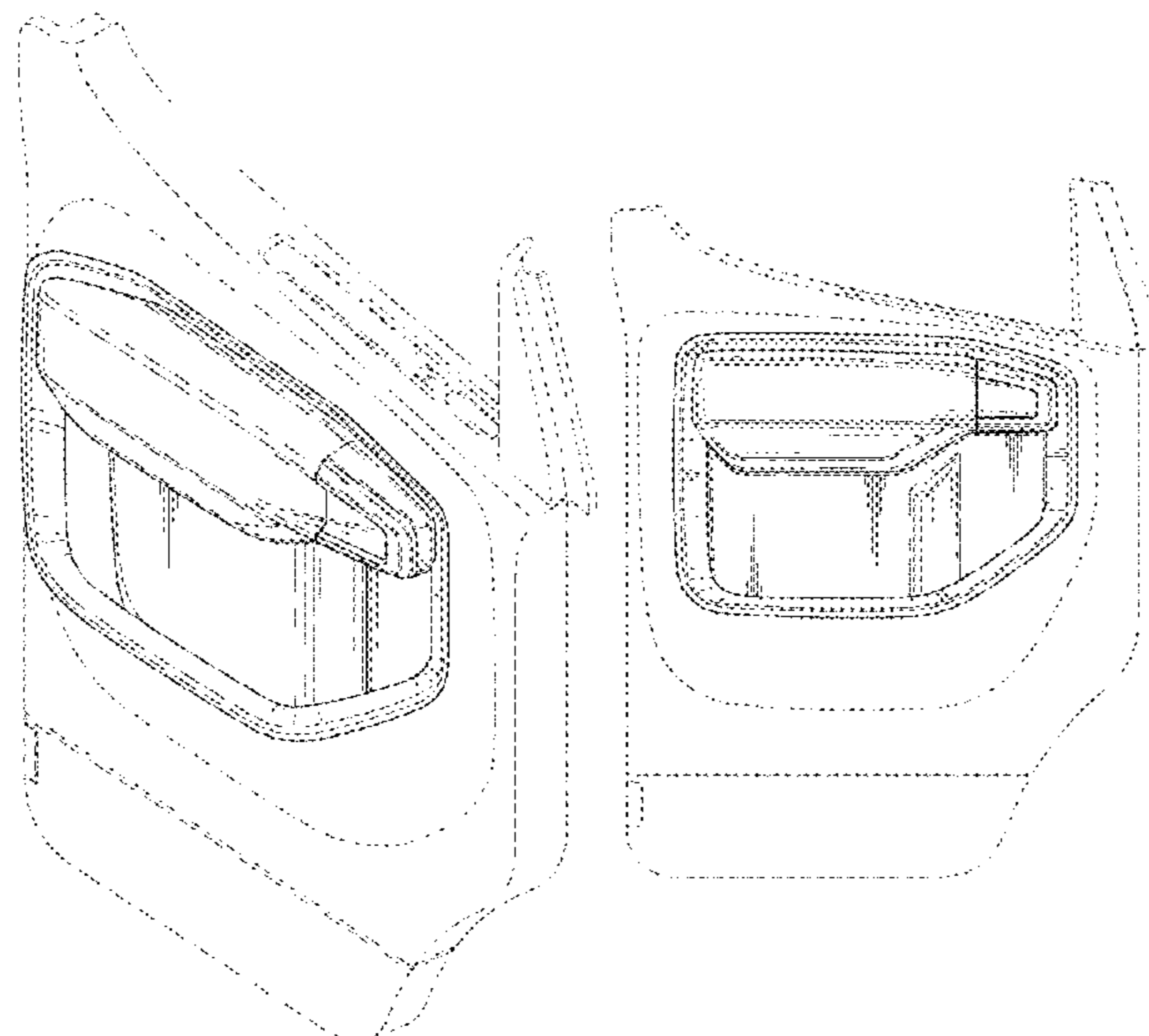
(57) **CLAIM**

I claim the ornamental design for a vehicle door, as shown  
and described.

**DESCRIPTION**

FIG. 1 is a perspective view of a left vehicle door;  
FIG. 2 is a left side elevation view thereof;  
FIG. 3 is a right side elevation view thereof;  
FIG. 4 is a rear elevation view thereof;  
FIG. 5 is a front elevation view thereof;  
FIG. 6 is a top plan view thereof; and,  
FIG. 7 is a bottom plan view thereof.  
The broken line showing is for the purpose of illustrating  
portions of the vehicle door and forms no part of the claimed  
design.

**Drawing Sheets**



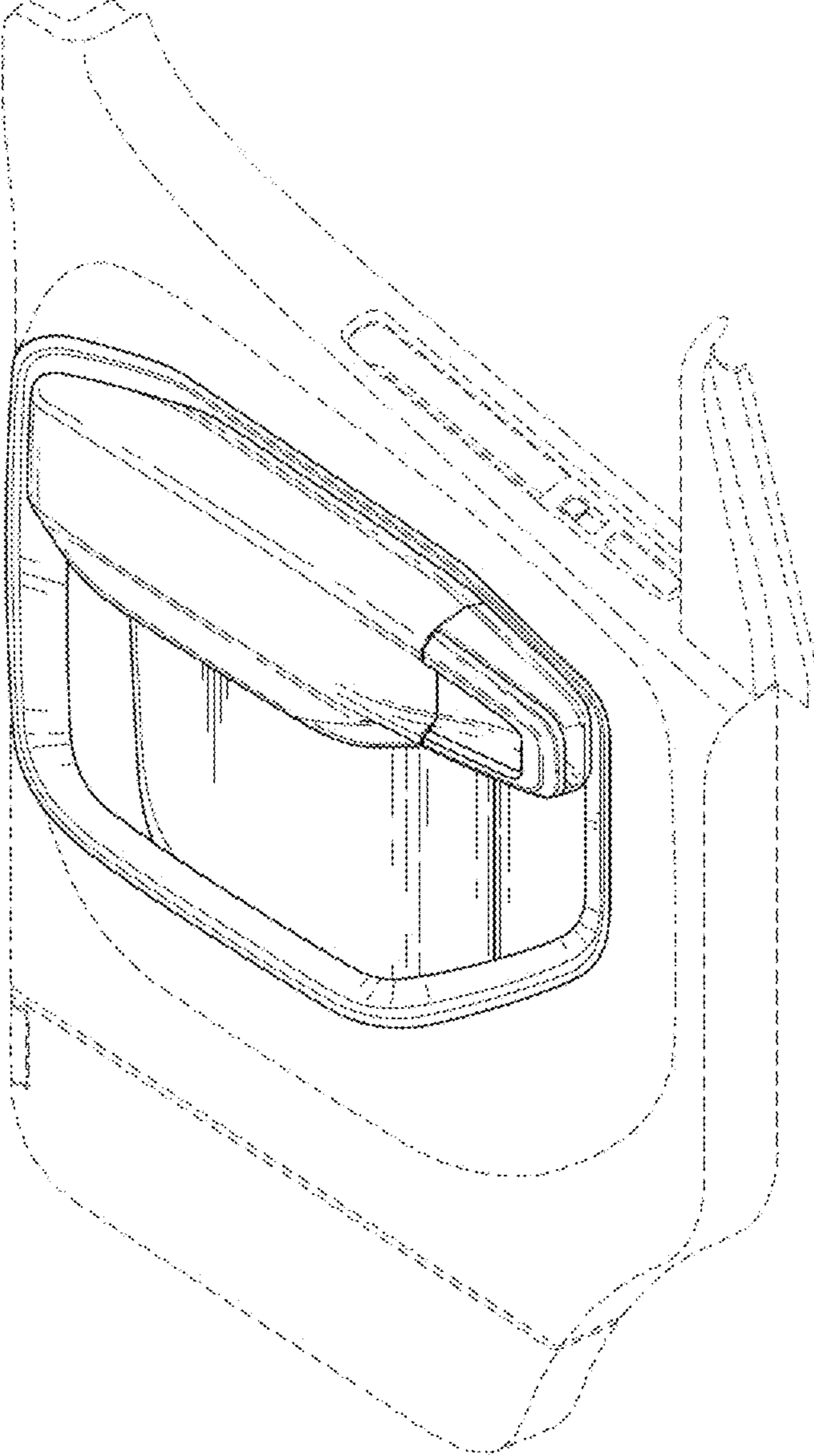
(56)

**References Cited**

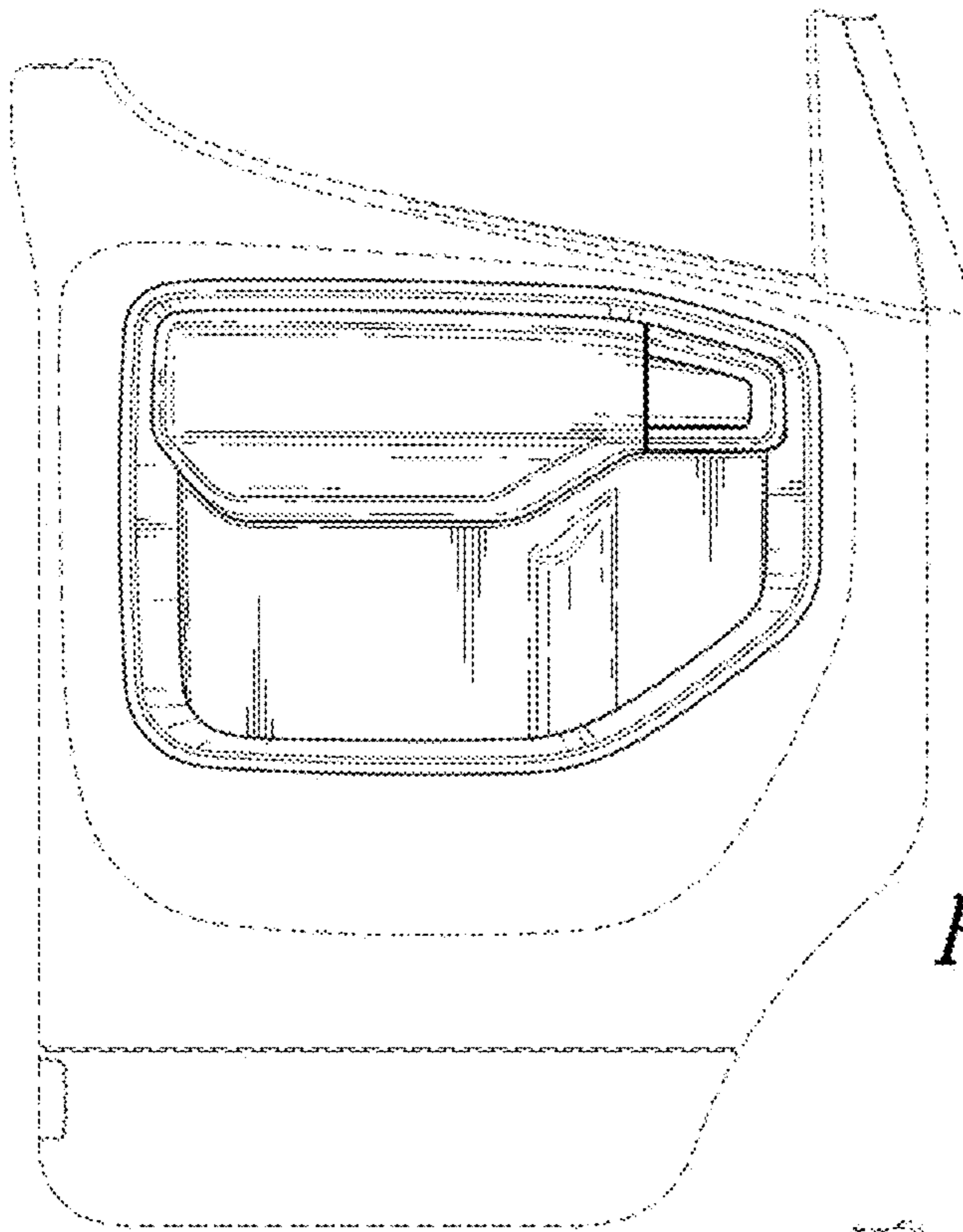
U.S. PATENT DOCUMENTS

D887,931 S \* 6/2020 Tomasson ..... D12/195  
D903,562 S \* 12/2020 Perry ..... D12/195

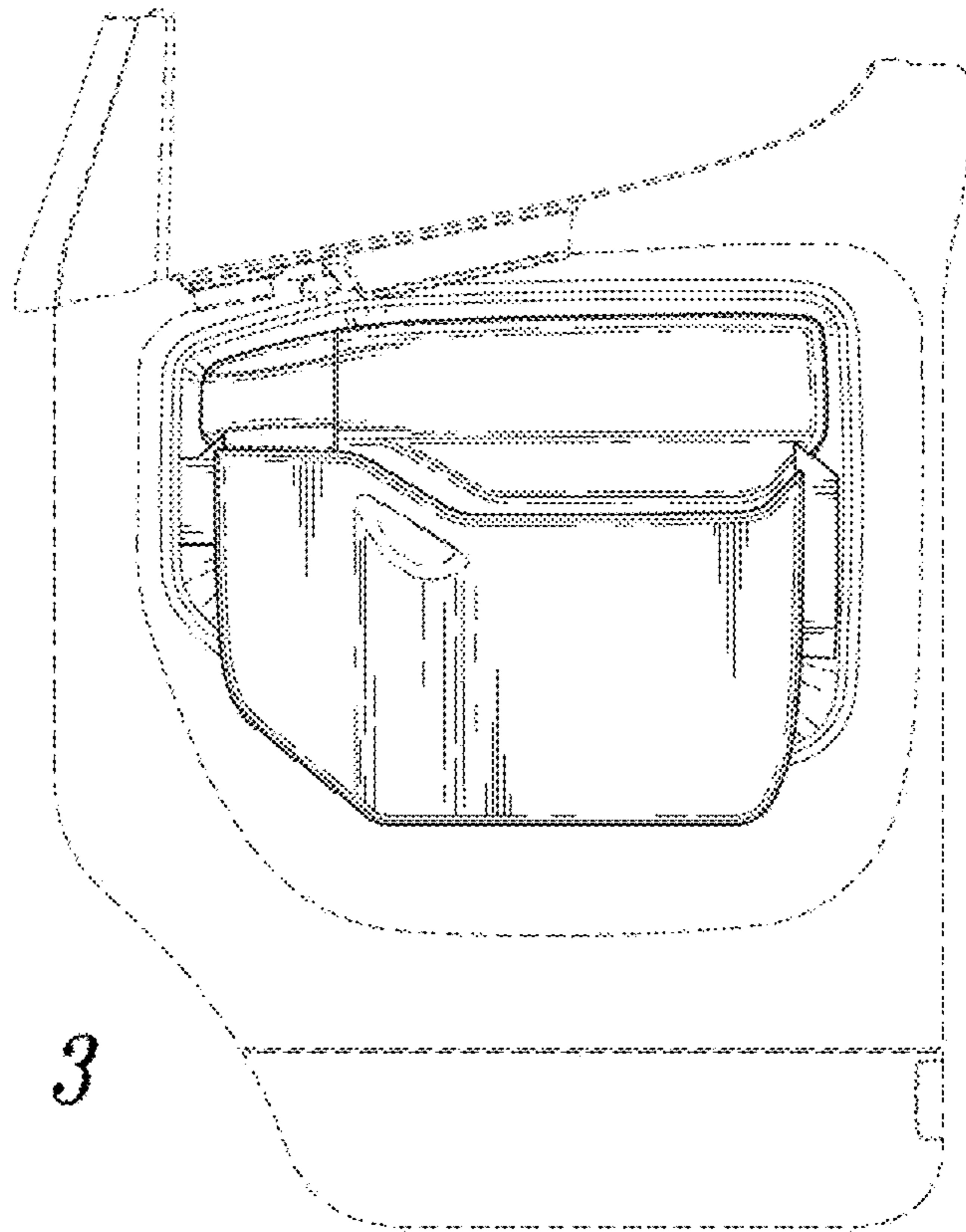
\* cited by examiner



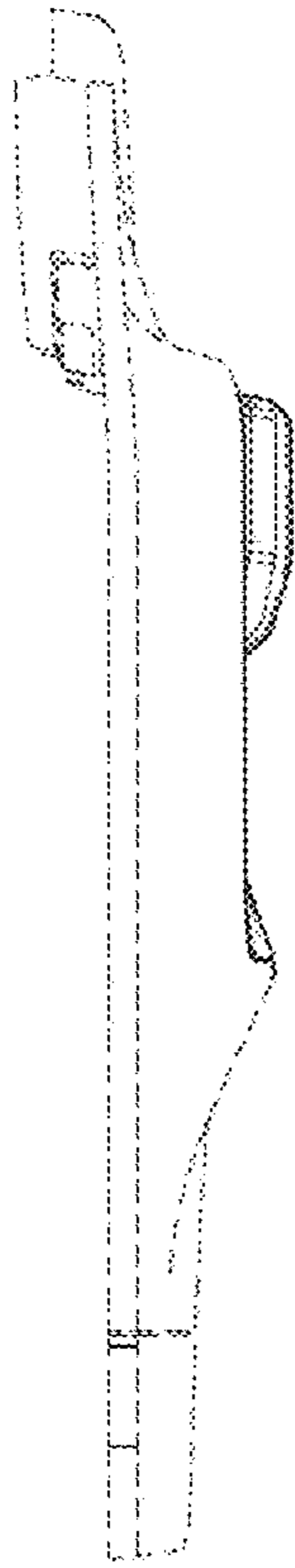
*Fig. 1*



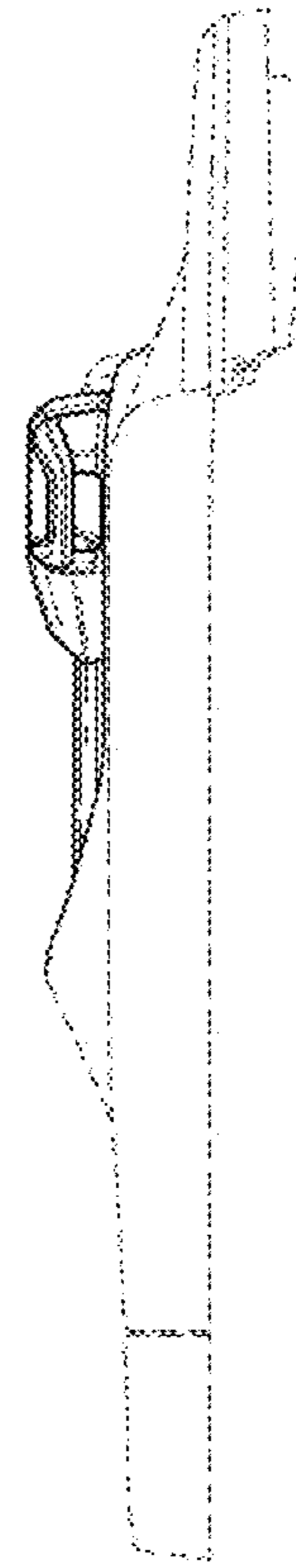
*Fig. 2*



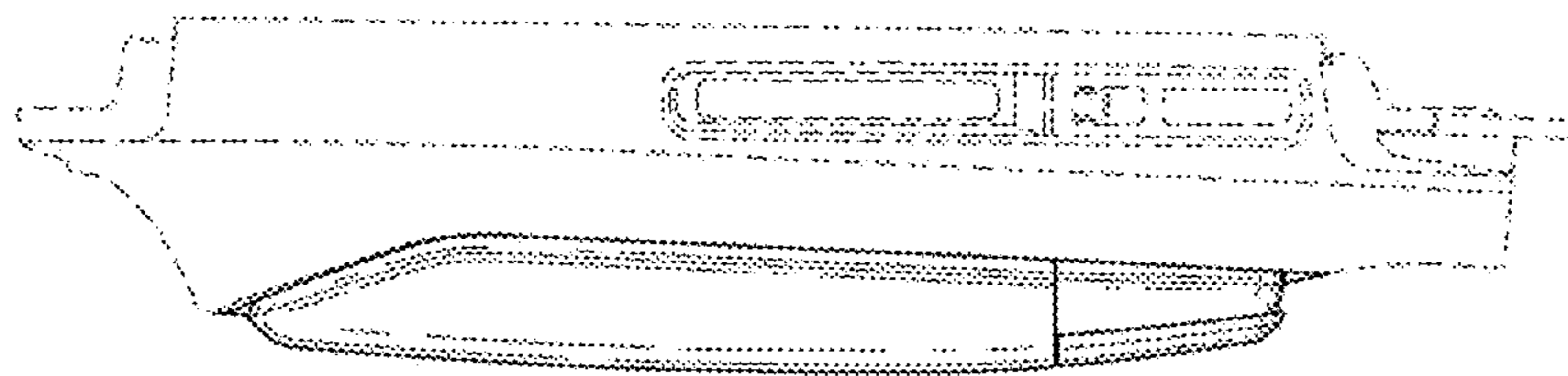
*Fig. 3*



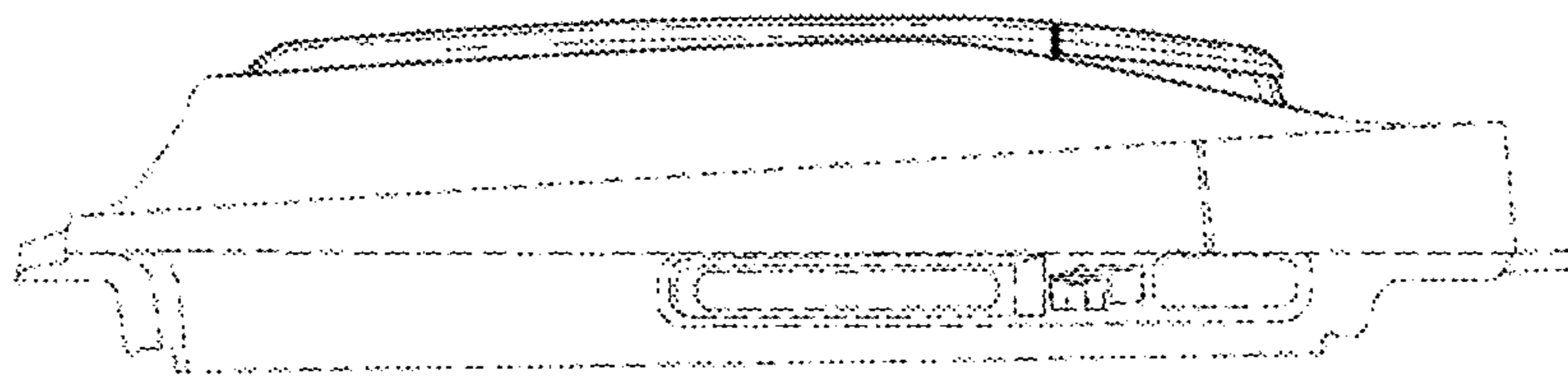
*Fig. 4*



*Fig. 5*



*Fig. 6*



*Fig. 7*