



US00D981926S

(12) **United States Design Patent** (10) **Patent No.:** **US D981,926 S**  
**Malina et al.** (45) **Date of Patent:** **\*\* Mar. 28, 2023**

(54) **LICENSE PLATE FRAME**  
(71) Applicant: **Keystone Global LLC**, Congers, NY (US)  
(72) Inventors: **Eric Malina**, Upper Saddle River, NJ (US); **Ronny Malina**, Brooklyn, NY (US)  
(73) Assignee: **KEYSTONE GLOBAL LLC**, Congers, NY (US)  
(\*\*) Term: **15 Years**  
(21) Appl. No.: **29/770,271**  
(22) Filed: **Feb. 10, 2021**  
(51) **LOC (14) Cl.** ..... **12-16**  
(52) **U.S. Cl.**  
USPC ..... **D12/193**  
(58) **Field of Classification Search**  
USPC ..... D12/193; D6/300, 301, 302, 310, 311, D6/312, 313, 314  
CPC ..... B60R 13/105; B60R 13/10; B60R 19/24; B60R 19/52  
See application file for complete search history.

D734,228 S \* 7/2015 Masanek, Jr. .... D12/193  
D753,038 S \* 4/2016 Doerr ..... D12/193  
D756,858 S 5/2016 Malina et al.  
D756,859 S 5/2016 Malina et al.  
D774,431 S \* 12/2016 Alesi ..... D12/193  
D799,387 S 10/2017 Malina et al.  
D807,247 S 1/2018 Malina et al.  
D814,368 S 4/2018 Malina et al.  
D823,759 S \* 7/2018 Spencer ..... D12/193  
D824,307 S \* 7/2018 Spencer ..... D12/193  
10,081,320 B2 9/2018 Prevor et al.  
D833,352 S \* 11/2018 Reshetnyak ..... D12/193  
D886,699 S \* 6/2020 Xu ..... D12/193  
D886,700 S \* 6/2020 Xu ..... D12/193  
D928,677 S \* 8/2021 Reshetnyak ..... B60R 13/105  
D12/193

2010/0276951 A1 11/2010 Malina et al.

\* cited by examiner

*Primary Examiner* — Susan E Krakower  
*Assistant Examiner* — Jerry Shiuhan-Hua Hsu  
(74) *Attorney, Agent, or Firm* — Faegre Drinker Biddle & Reath LLP

(57) **CLAIM**

The ornamental design for a license plate frame, as shown and described.

**DESCRIPTION**

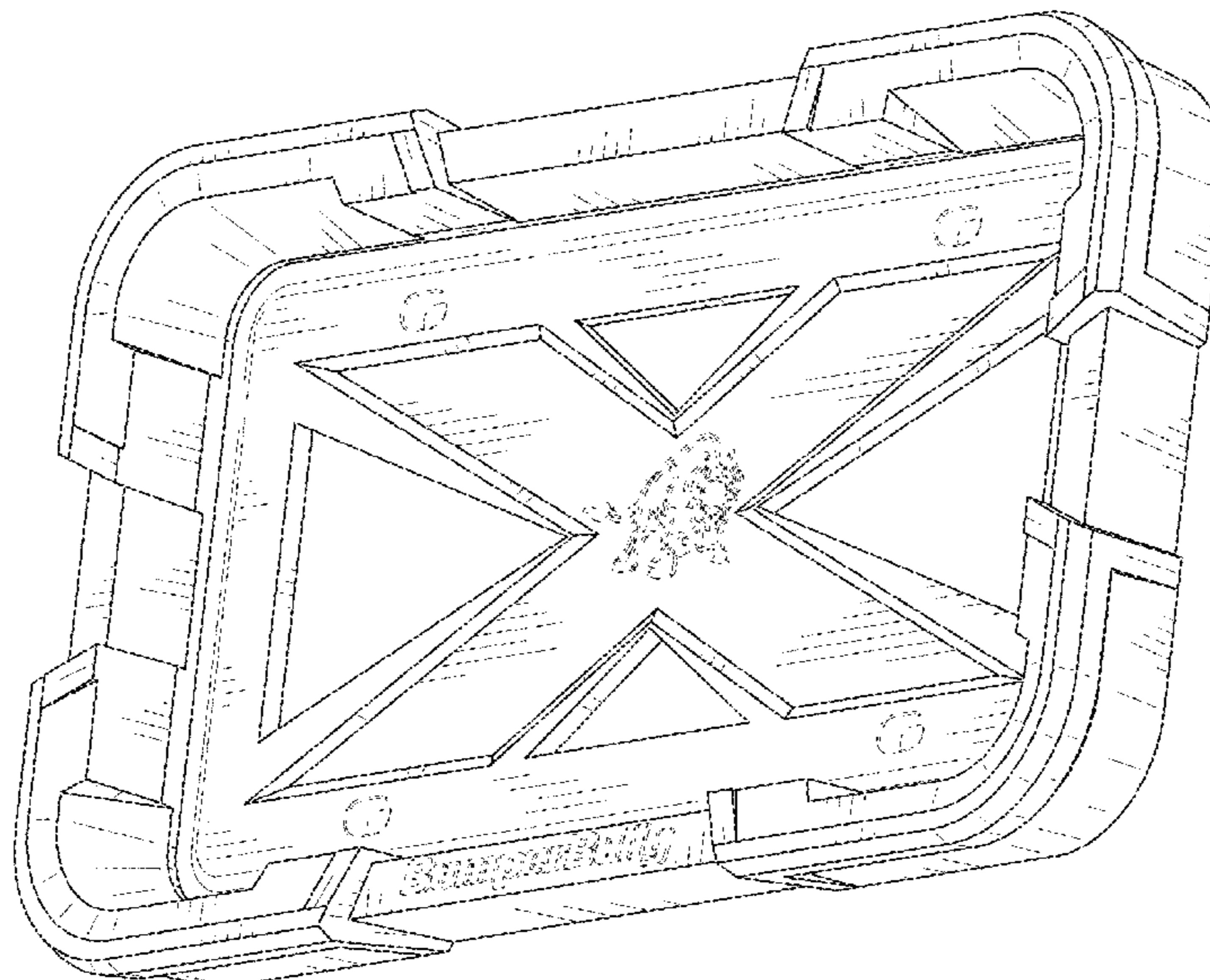
FIG. 1 is a front, bottom perspective view of a license plate frame illustrating our new design;  
FIG. 2 is a rear, top perspective view thereof;  
FIG. 3 is a front view thereof;  
FIG. 4 is a rear view thereof;  
FIG. 5 is a right side view thereof;  
FIG. 6 is a left side view thereof;  
FIG. 7 is a bottom view thereof; and,  
FIG. 8 is a top view thereof.  
The broken lines illustrate portions of the license plate frame that form no part of the claimed design.

**1 Claim, 6 Drawing Sheets**

(56) **References Cited**

**U.S. PATENT DOCUMENTS**

D566,026 S \* 4/2008 Hu ..... D12/193  
D617,259 S 6/2010 Malina et al.  
7,740,294 B2 6/2010 Malina et al.  
D625,234 S \* 10/2010 Vuletic ..... D12/193  
D630,986 S \* 1/2011 Spencer ..... D12/193  
7,866,715 B2 1/2011 Malina et al.  
8,047,601 B2 11/2011 Malina et al.  
8,393,658 B2 3/2013 Malina et al.  
D684,513 S \* 6/2013 Spencer ..... D12/193  
D709,813 S \* 7/2014 MacNeil ..... D12/193  
D712,326 S \* 9/2014 Spencer ..... D12/193  
D715,202 S \* 10/2014 Spencer ..... D12/193  
8,850,727 B2 10/2014 Malina et al.



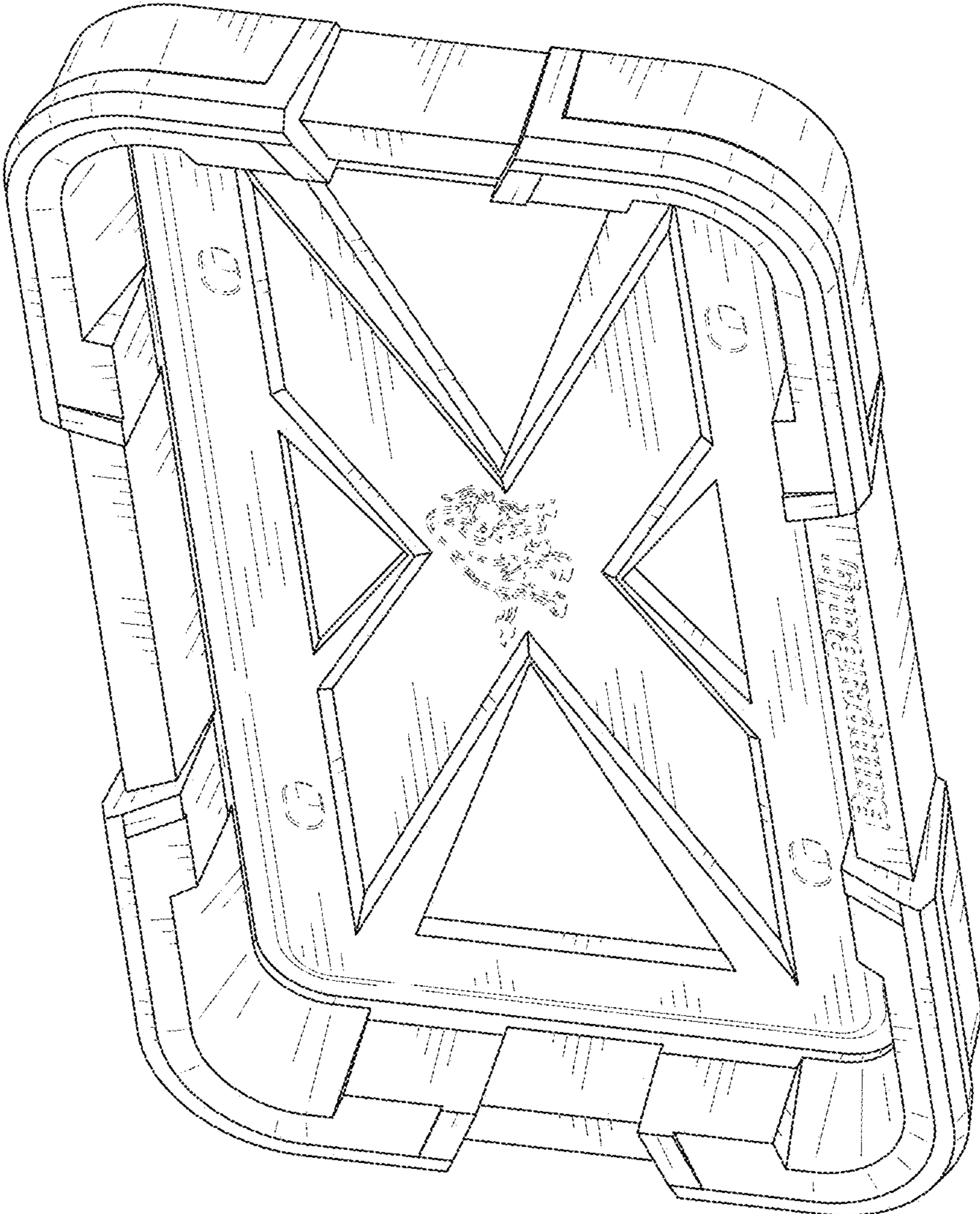


FIG. 1



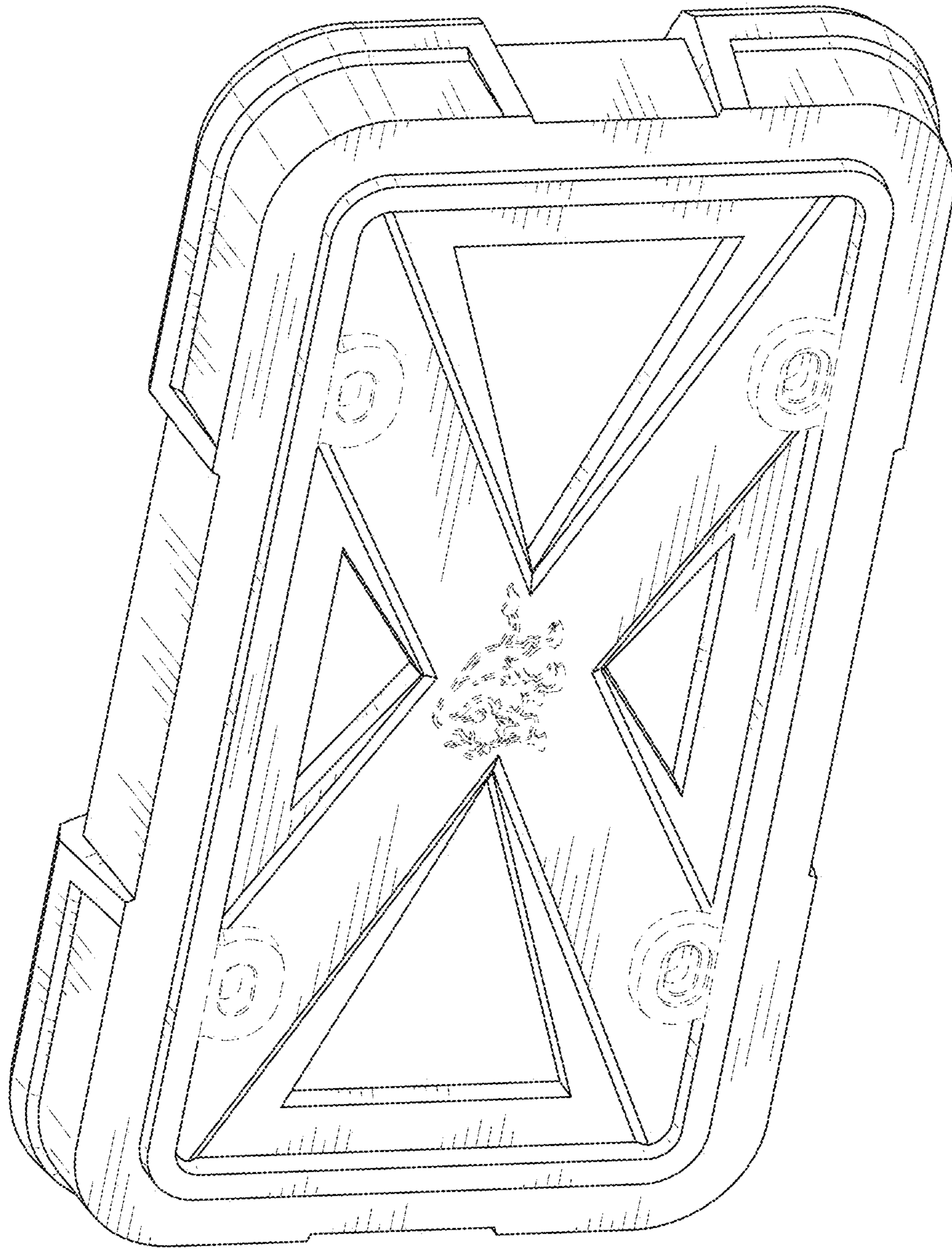


FIG. 2

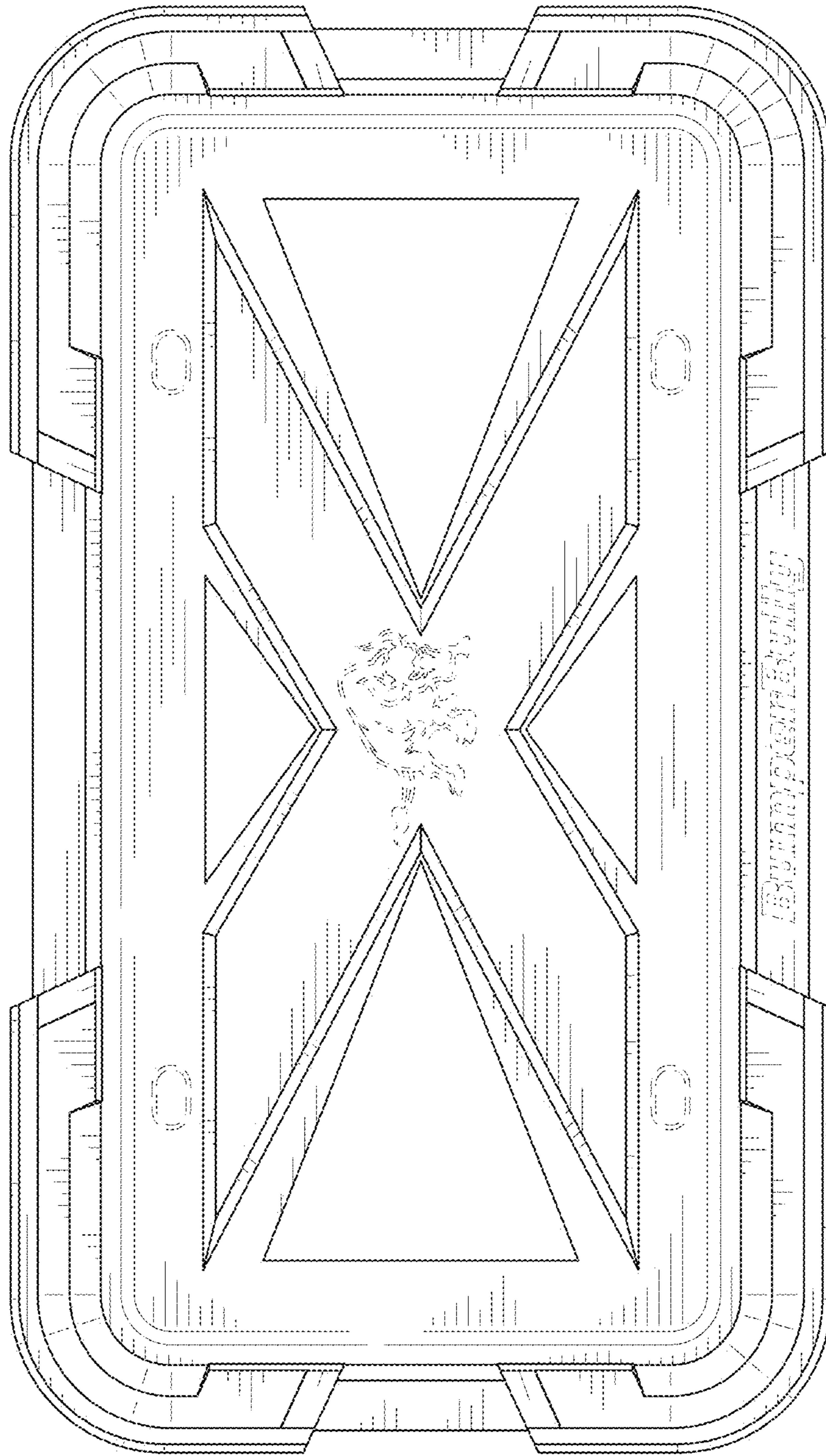


FIG. 3

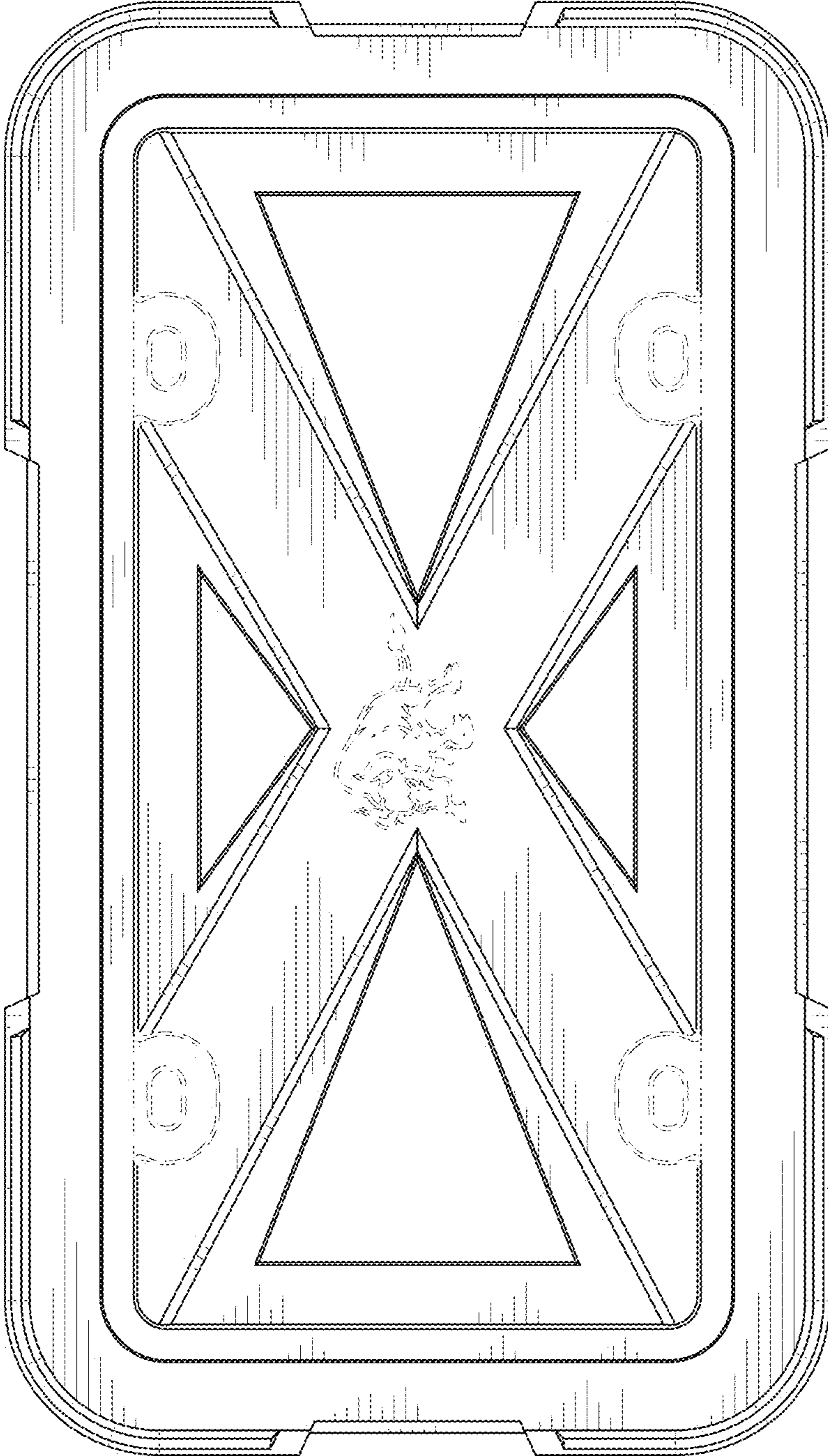


FIG. 4

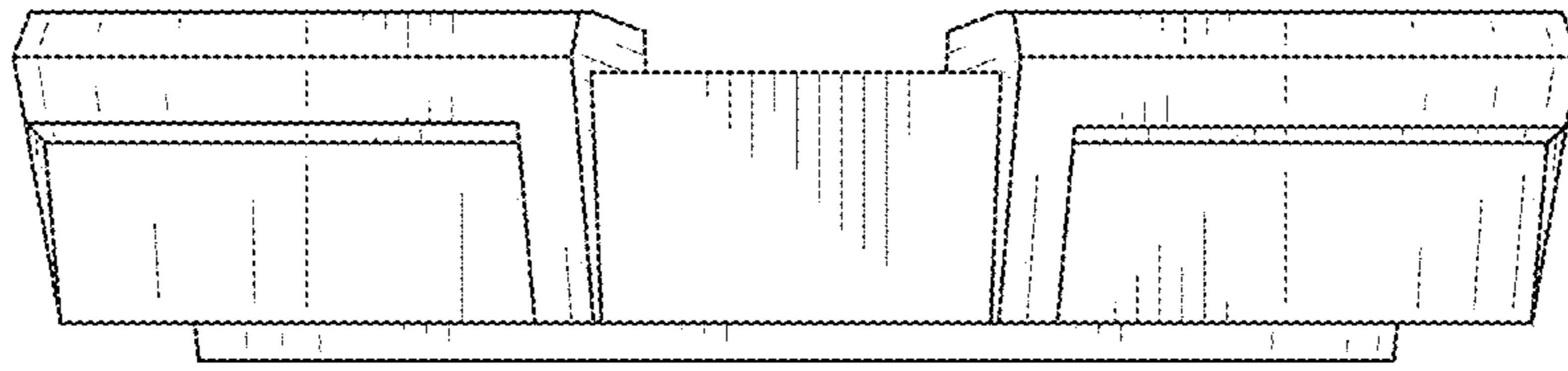


FIG. 6

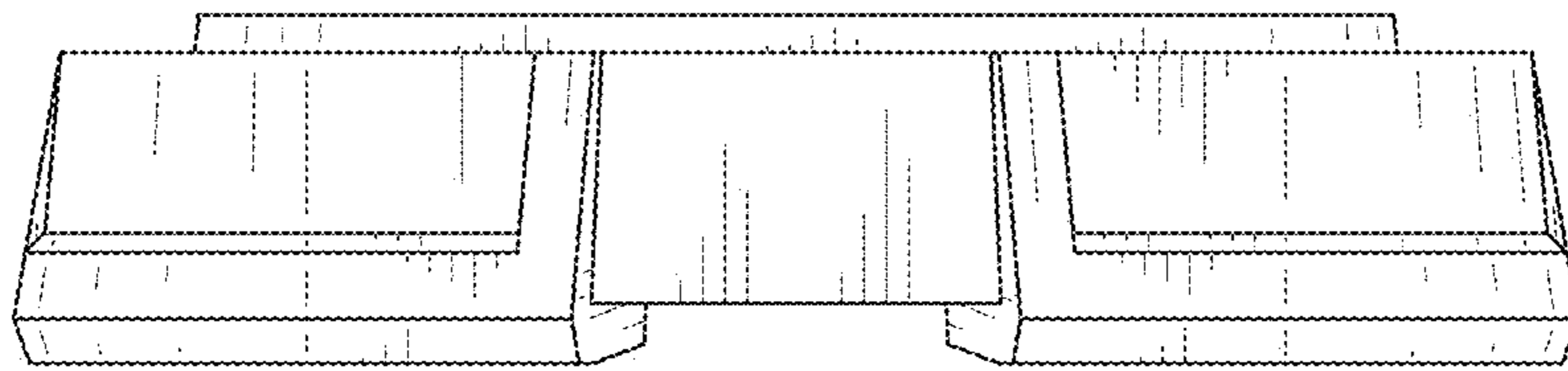


FIG. 5



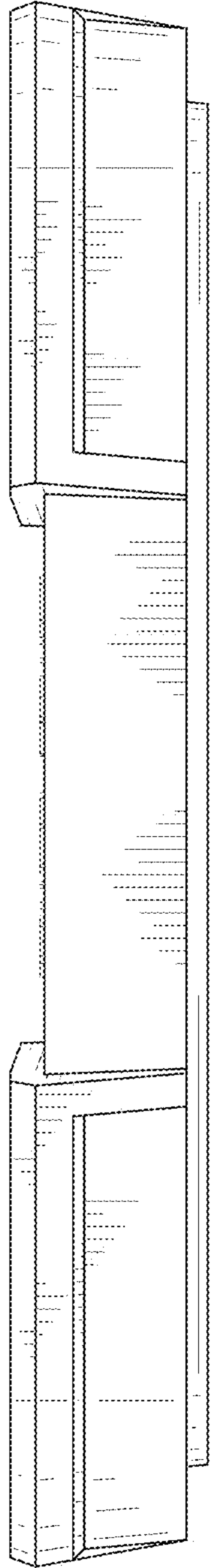


FIG. 7

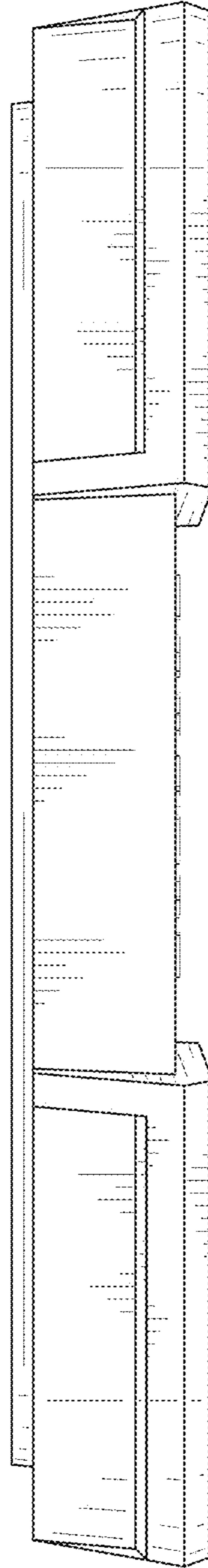


FIG. 8