



US00D981925S

(12) **United States Design Patent**  
**Motozaki**

(10) **Patent No.:** **US D981,925 S**

(45) **Date of Patent:** **\*\* Mar. 28, 2023**

- (54) **INSTRUMENT PANEL FOR AN AUTOMOBILE**
- (71) Applicant: **TOYOTA JIDOSHA KABUSHIKI KAISHA**, Toyota (JP)
- (72) Inventor: **Masaki Motozaki**, Toyota (JP)
- (73) Assignee: **TOYOTA JIDOSHA KABUSHIKI KAISHA**, Toyota (JP)

|              |         |                 |         |
|--------------|---------|-----------------|---------|
| D847,055 S * | 4/2019  | De Vienne ..... | D12/192 |
| D863,162 S * | 10/2019 | Schneider ..... | D12/192 |
| D864,066 S * | 10/2019 | Ray .....       | D12/192 |
| D872,683 S * | 1/2020  | Motozaki .....  | D12/415 |
| D877,042 S * | 3/2020  | Ray .....       | D12/415 |
| D887,954 S * | 6/2020  | Xu .....        | D12/415 |
| D889,340 S * | 7/2020  | Lun .....       | D12/192 |
| D889,381 S * | 7/2020  | Xu .....        | D12/415 |
| D940,028 S * | 1/2022  | Benjamin .....  | D12/192 |
| D940,619 S * | 1/2022  | Jimenez .....   | D12/192 |
| D955,314 S * | 6/2022  | Hirose .....    | D12/192 |

(\*\*) Term: **15 Years**

(21) Appl. No.: **29/785,845**

(22) Filed: **May 27, 2021**

(30) **Foreign Application Priority Data**

Nov. 30, 2020 (JP) ..... 2020-025694 D

(51) **LOC (14) Cl.** ..... **12-16**

(52) **U.S. Cl.**  
USPC ..... **D12/192**

(58) **Field of Classification Search**  
USPC ..... D12/192, 415, 114, 345; D10/49, 98,  
D10/102, 103, 122-127; D23/324  
CPC ..... B60H 1/34; B60H 1/3407; B60H 1/3414;  
B60H 1/3435; B60H 1/3428; B60H  
1/345; B60H 1/3457  
See application file for complete search history.

(56) **References Cited**

**U.S. PATENT DOCUMENTS**

|              |        |                 |         |
|--------------|--------|-----------------|---------|
| D727,231 S * | 4/2015 | Narita .....    | D12/192 |
| D727,816 S * | 4/2015 | Takagi .....    | D12/192 |
| D786,758 S * | 5/2017 | Chang .....     | D12/192 |
| D795,145 S * | 8/2017 | Miyashita ..... | D12/192 |
| D828,259 S * | 9/2018 | Takagi .....    | D12/192 |
| D844,515 S * | 4/2019 | Webber .....    | D12/192 |
| D847,054 S * | 4/2019 | Yamada .....    | D12/192 |

**OTHER PUBLICATIONS**

netcarshow.com, Lexus NX (2018), <<https://www.netcarshow.com/lexus/2018-nx/>>, available as early as Mar. 26, 2020.

(Continued)

*Primary Examiner* — Susan E Krakower

*Assistant Examiner* — Jerry Shiuan-Hua Hsu

(74) *Attorney, Agent, or Firm* — Saidman DesignLaw Group, LLC

(57) **CLAIM**

The ornamental design for an instrument panel for an automobile, as shown and described.

**DESCRIPTION**

FIG. 1 is a perspective view of an instrument panel for an automobile showing my new design; FIG. 2 is a front view thereof; FIG. 3 is a rear view thereof; FIG. 4 is a right side view thereof; FIG. 5 is a left side view thereof; FIG. 6 is a top view thereof; and, FIG. 7 is a bottom view thereof.

The broken lines and the deemphasized portions within illustrate portions of the instrument panel for an automobile which form no part of the claimed design.

**1 Claim, 7 Drawing Sheets**



(56)

**References Cited**

OTHER PUBLICATIONS

netcarshow.com, Volkswagen Golf (2020), <<https://www.netcarshow.com/volkswagen/2020-golf/>>, available as early as Mar. 26, 2020.  
netcarshow.com, Volkswagen Touareg (2019), <<https://www.netcarshow.com/volkswagen/2019-touareg/>>, available as early as Mar. 26, 2020.

\* cited by examiner

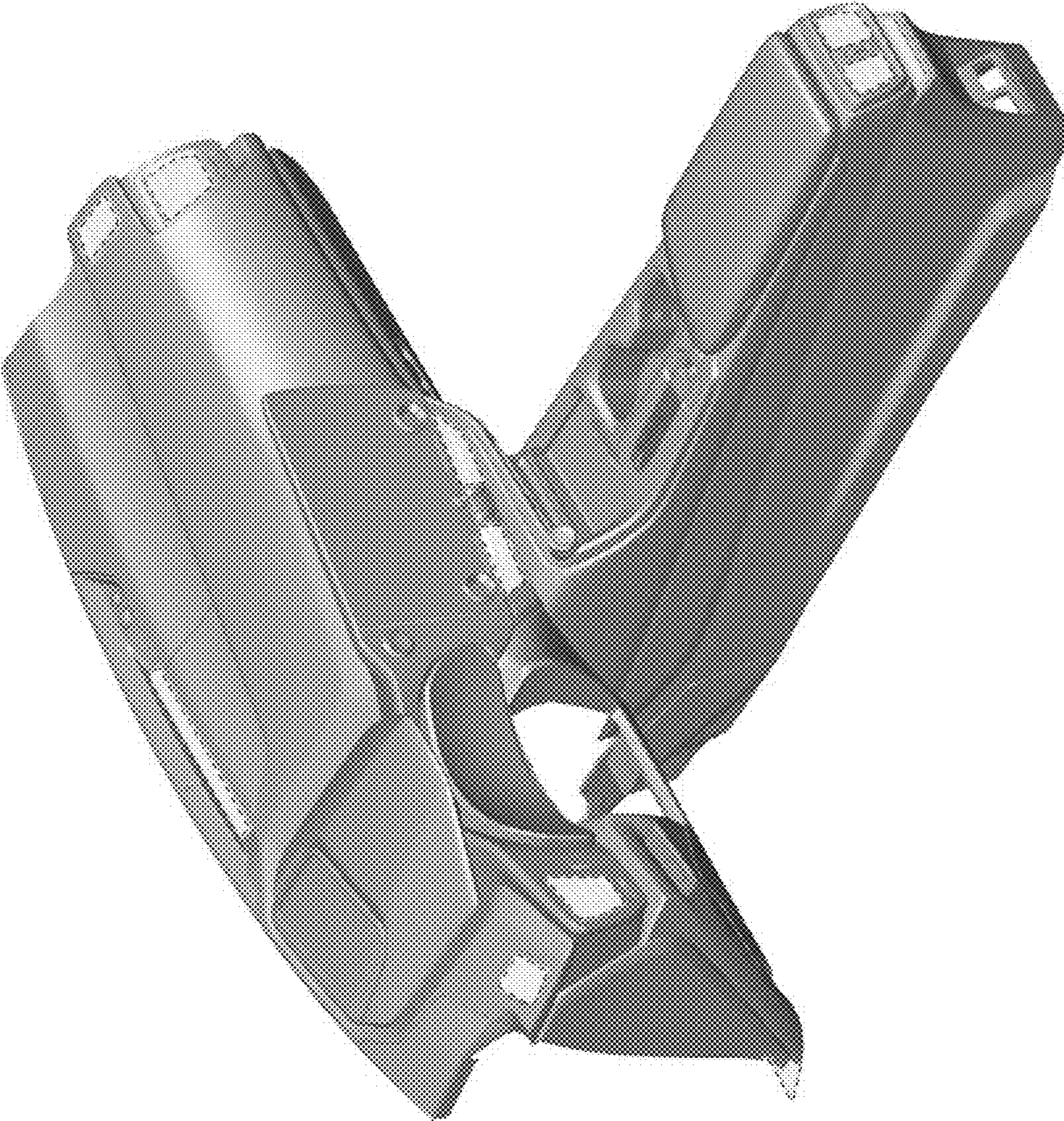


FIG. 1



FIG. 2

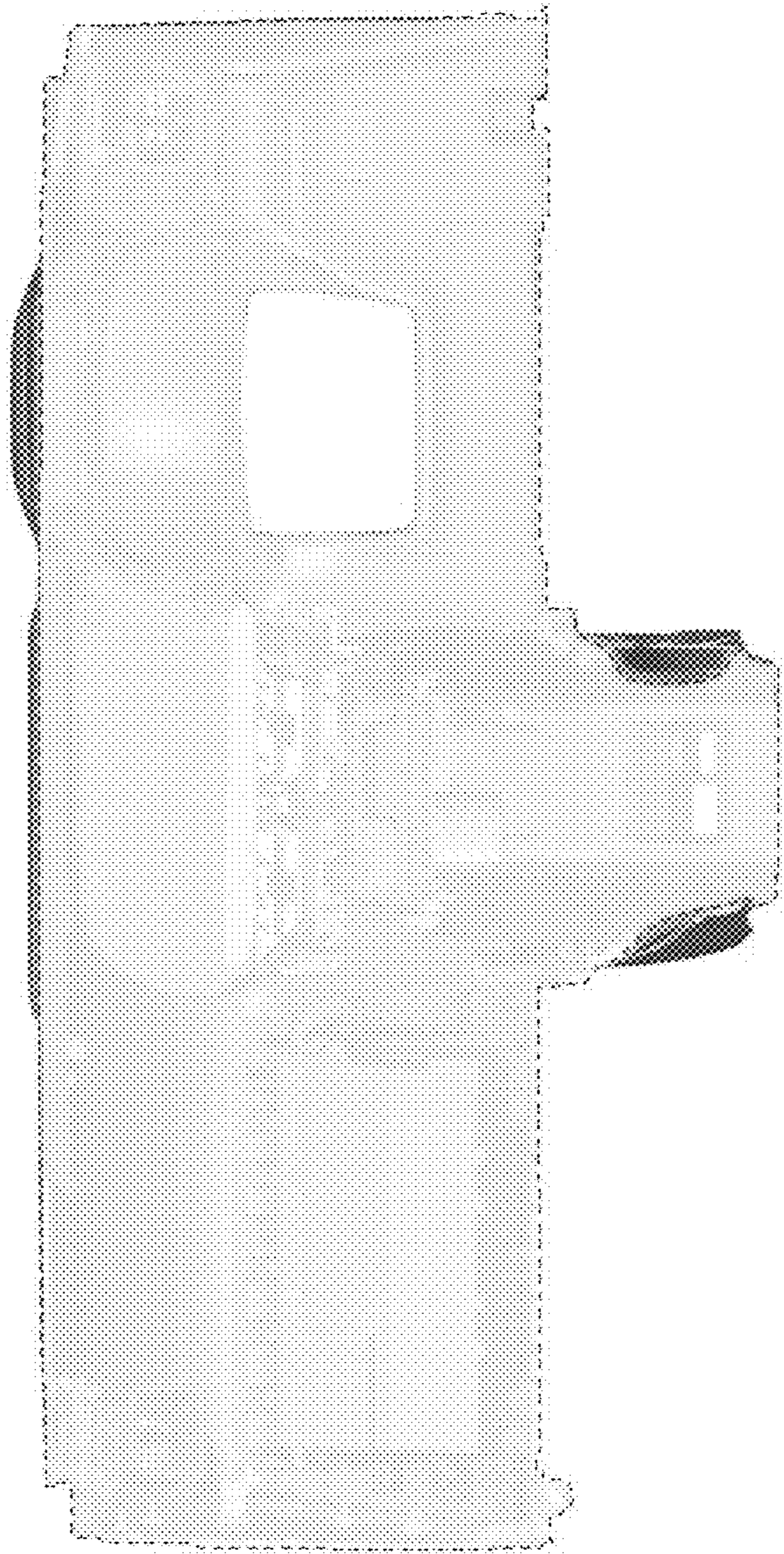


FIG. 3

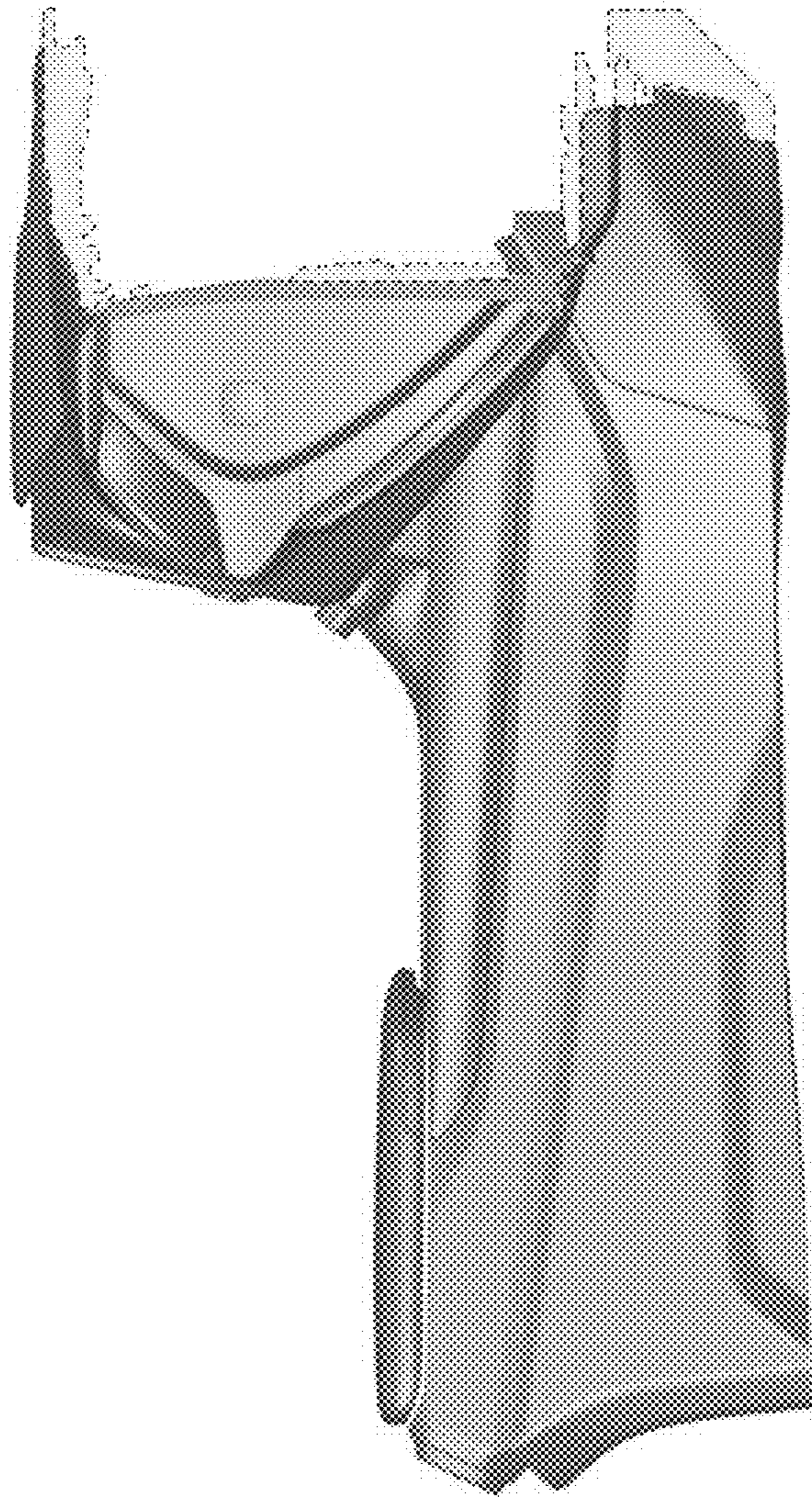


FIG. 4

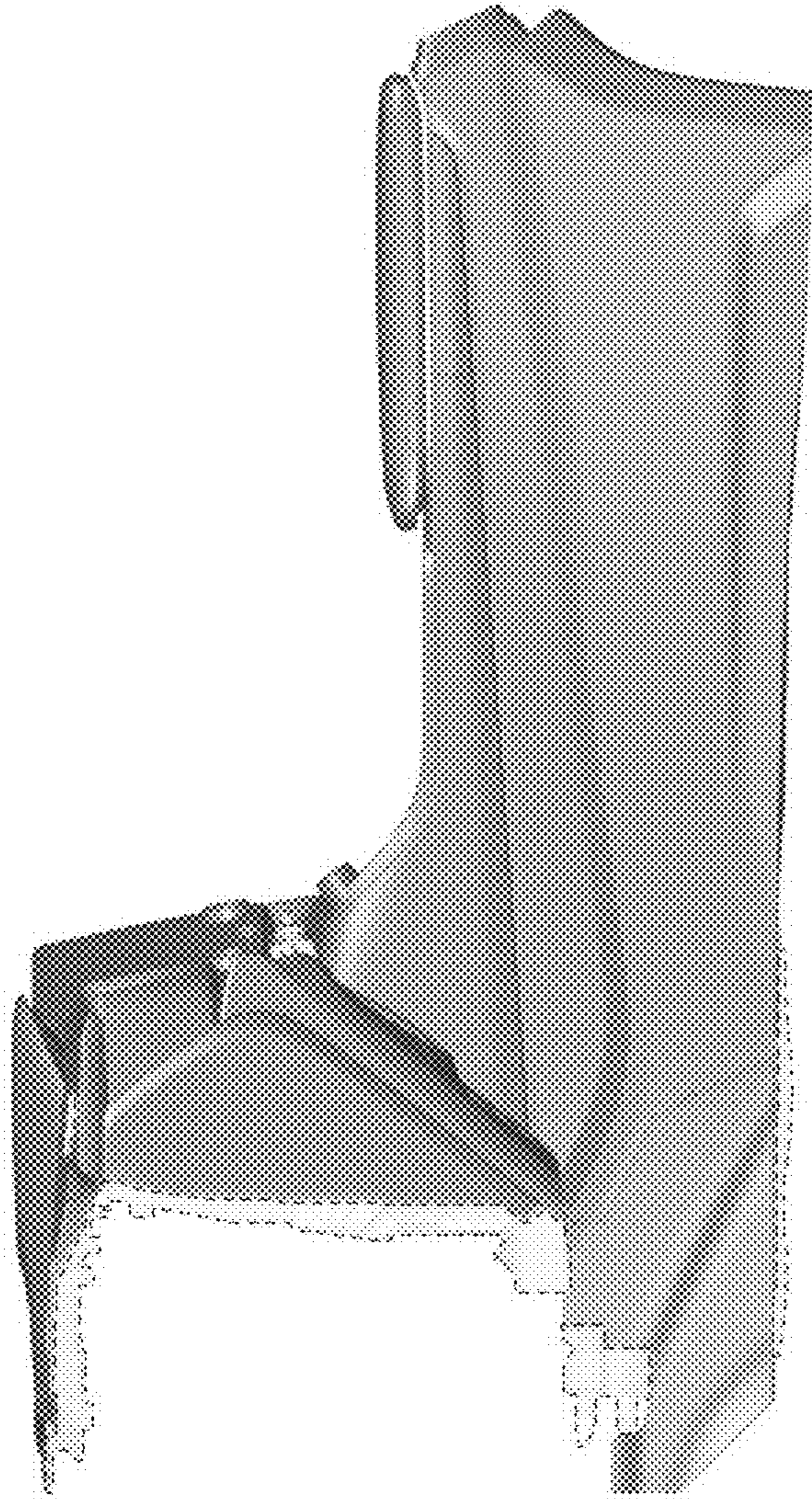


FIG. 5

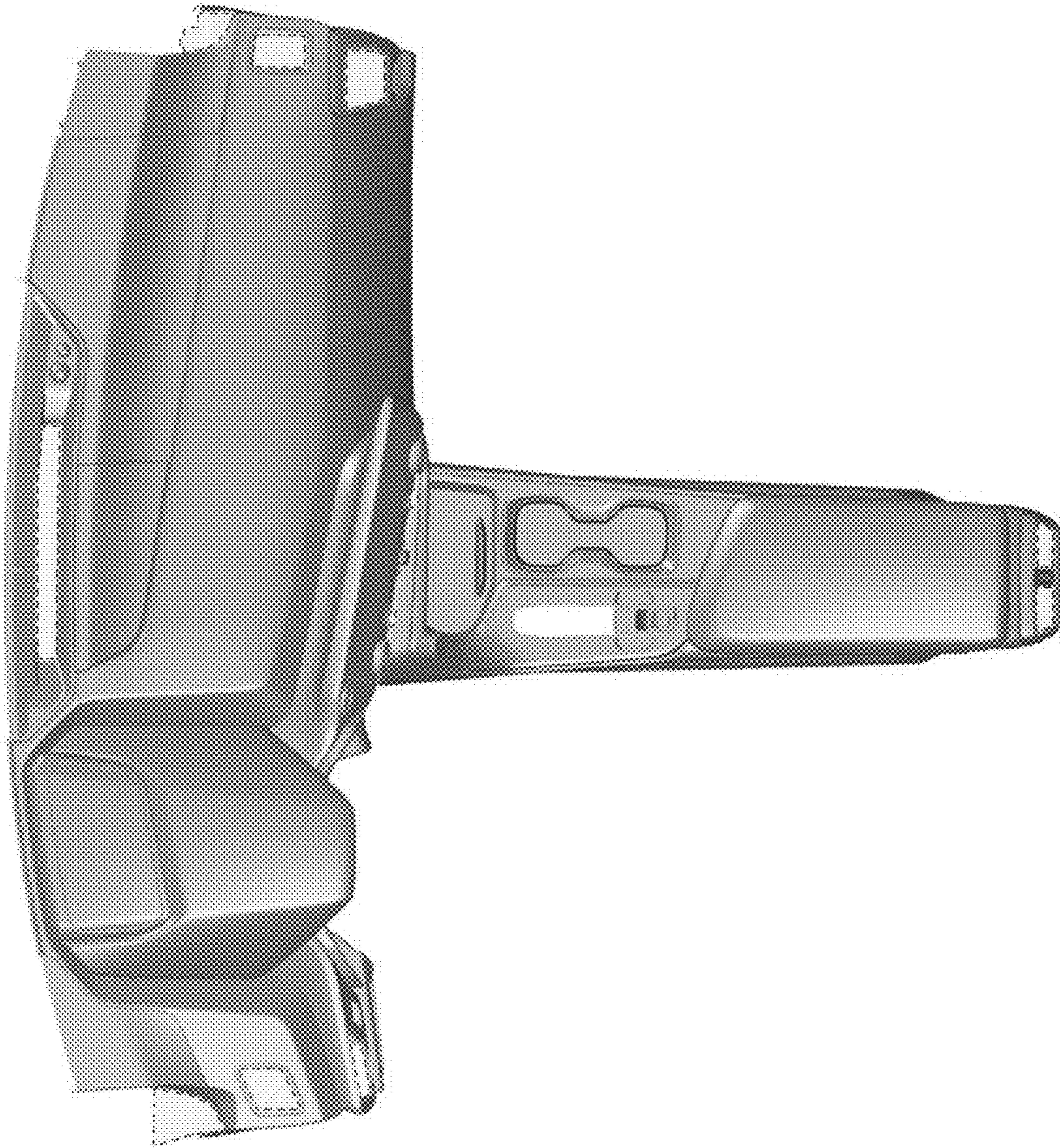


FIG. 6



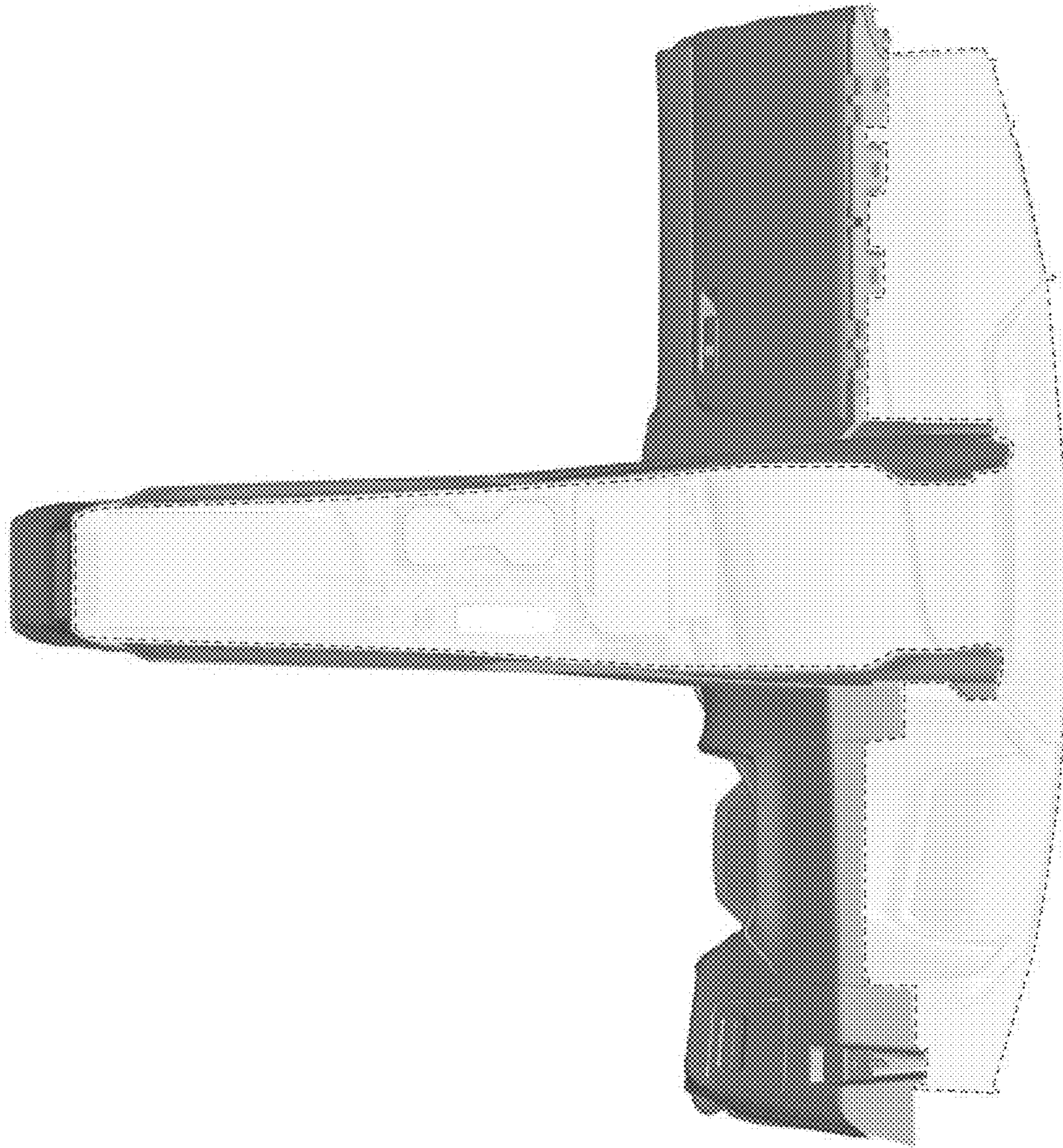


FIG. 7