



US00D981920S

(12) **United States Design Patent**
Arguden et al.

(10) **Patent No.:** **US D981,920 S**
(45) **Date of Patent:** **** Mar. 28, 2023**

(54) **VEHICLE FRONT LOWER BUMPER COVER**

(71) Applicant: **Ford Global Technologies, LLC,**
Dearborn, MI (US)

(72) Inventors: **Ege Arguden,** Detroit, MI (US); **Dong H. Park,** Canton, MI (US); **Paul Wraith,** West Bloomfield, MI (US); **William Mangan,** Ypsilanti, MI (US); **Damon G. DePeyster,** Northville, MI (US); **Heath W. Hillard,** Detroit, MI (US)

(73) Assignee: **Ford Global Technologies, LLC,**
Dearborn, MI (US)

(**) Term: **15 Years**

(21) Appl. No.: **29/781,623**

(22) Filed: **Apr. 30, 2021**

(51) **LOC (14) Cl.** **12-16**

(52) **U.S. Cl.**
USPC **D12/169**

(58) **Field of Classification Search**
USPC D12/169, 196, 86, 90-92, 163, 190, 98,
D12/164; 293/102, 113, 115, 117, 120,
293/193.11; 296/180.1, 180.2
CPC B60R 19/02; B60R 19/04; B62D 25/08
See application file for complete search history.

(56) **References Cited**

U.S. PATENT DOCUMENTS

D610,502 S 2/2010 Bucher et al.
D748,020 S 1/2016 Behmer et al.

D811,285 S * 2/2018 Ishii D12/169
D874,992 S 2/2020 Park et al.
D874,993 S 2/2020 Park et al.
D875,622 S 2/2020 Park et al.
D935,959 S * 11/2021 Koo D12/169
D950,436 S * 5/2022 Chen D12/169
D970,399 S * 11/2022 Ruiz D12/169

FOREIGN PATENT DOCUMENTS

CN 2020301244067 12/2020

* cited by examiner

Primary Examiner — Melody N Brown

(74) *Attorney, Agent, or Firm* — Vichit Chea

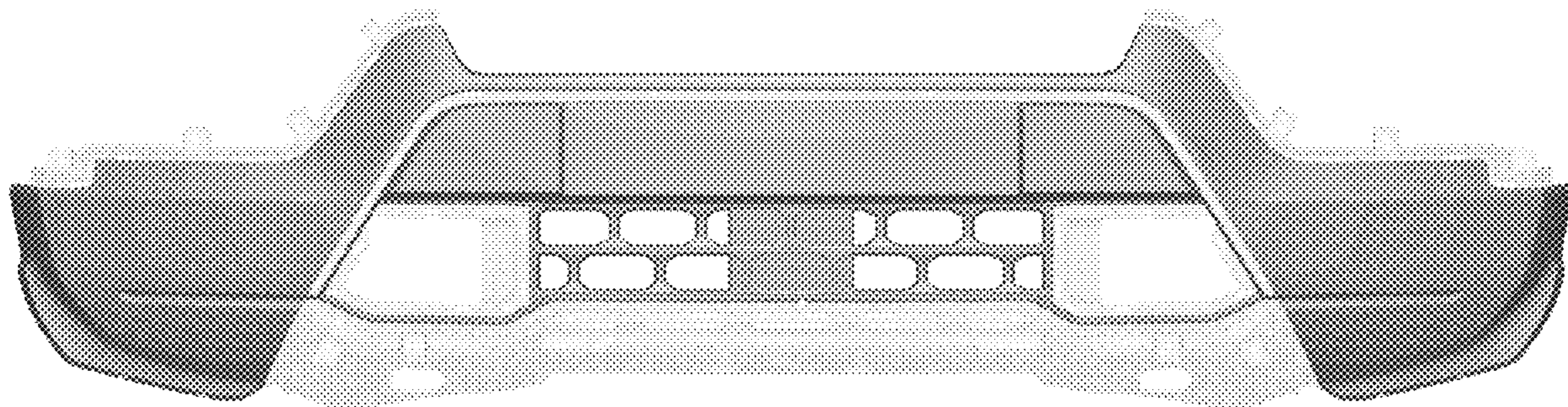
(57) **CLAIM**

The ornamental design for a vehicle front lower bumper cover, as shown and described.

DESCRIPTION

FIG. 1 is a front elevational view of a vehicle front lower bumper cover, showing our new design;
FIG. 2 is a left side elevational view thereof;
FIG. 3 is a right side elevational view thereof;
FIG. 4 is a top plan view thereof;
FIG. 5 is a bottom plan view thereof;
FIG. 6 is a bottom, front and left side perspective view thereof; and,
FIG. 7 is a top, front and left side perspective view thereof.
The claimed design is indicated by the relatively dark portions in the figures. The de-emphasized and relatively light portions form no part of the claimed design.

1 Claim, 7 Drawing Sheets



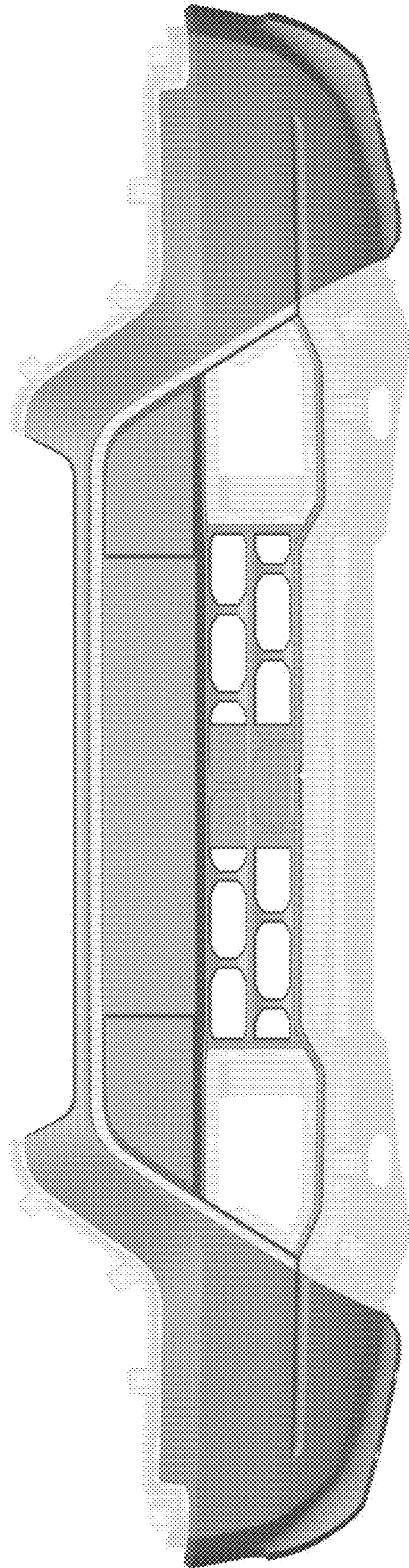


Fig. 1

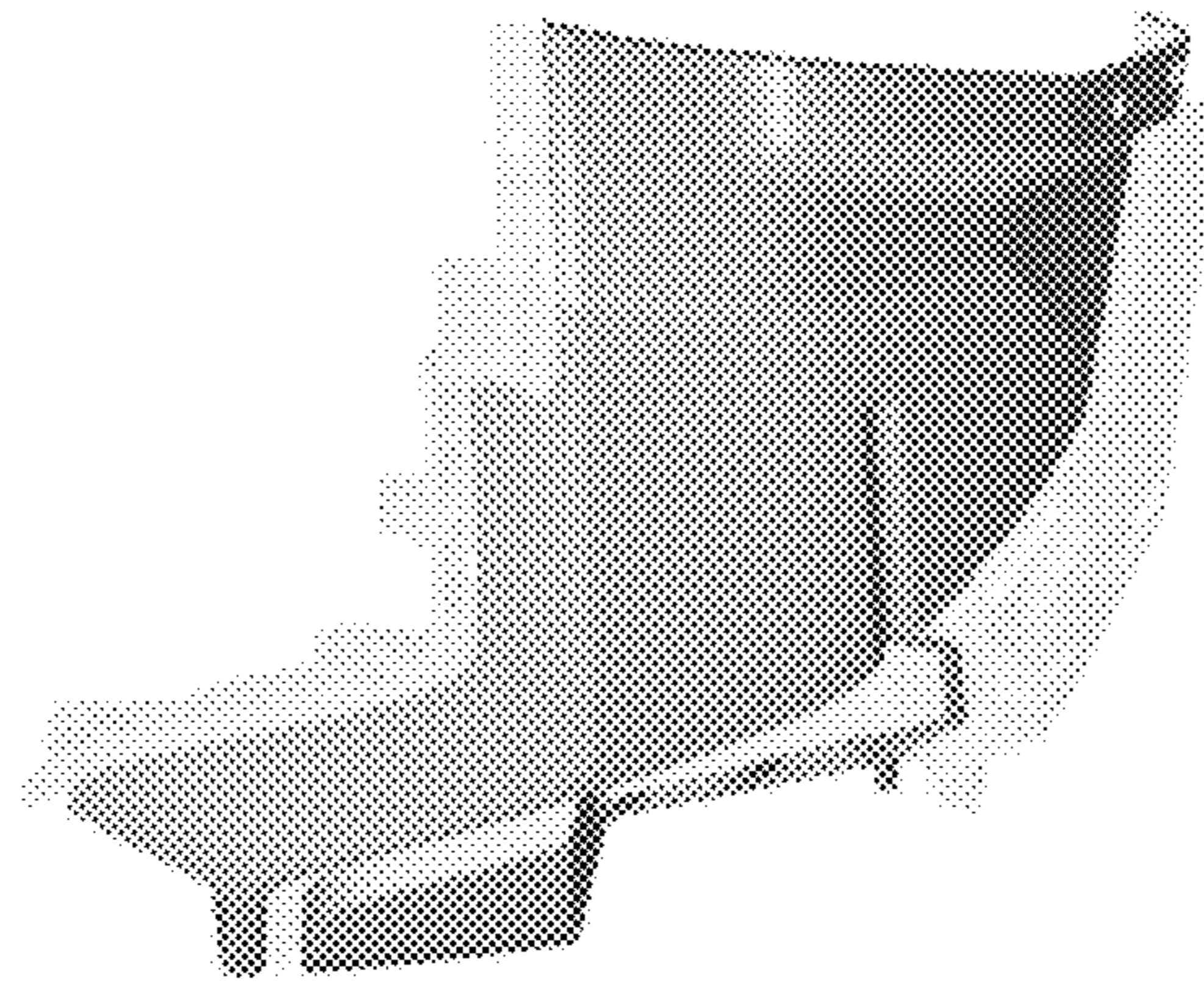


Fig. 2

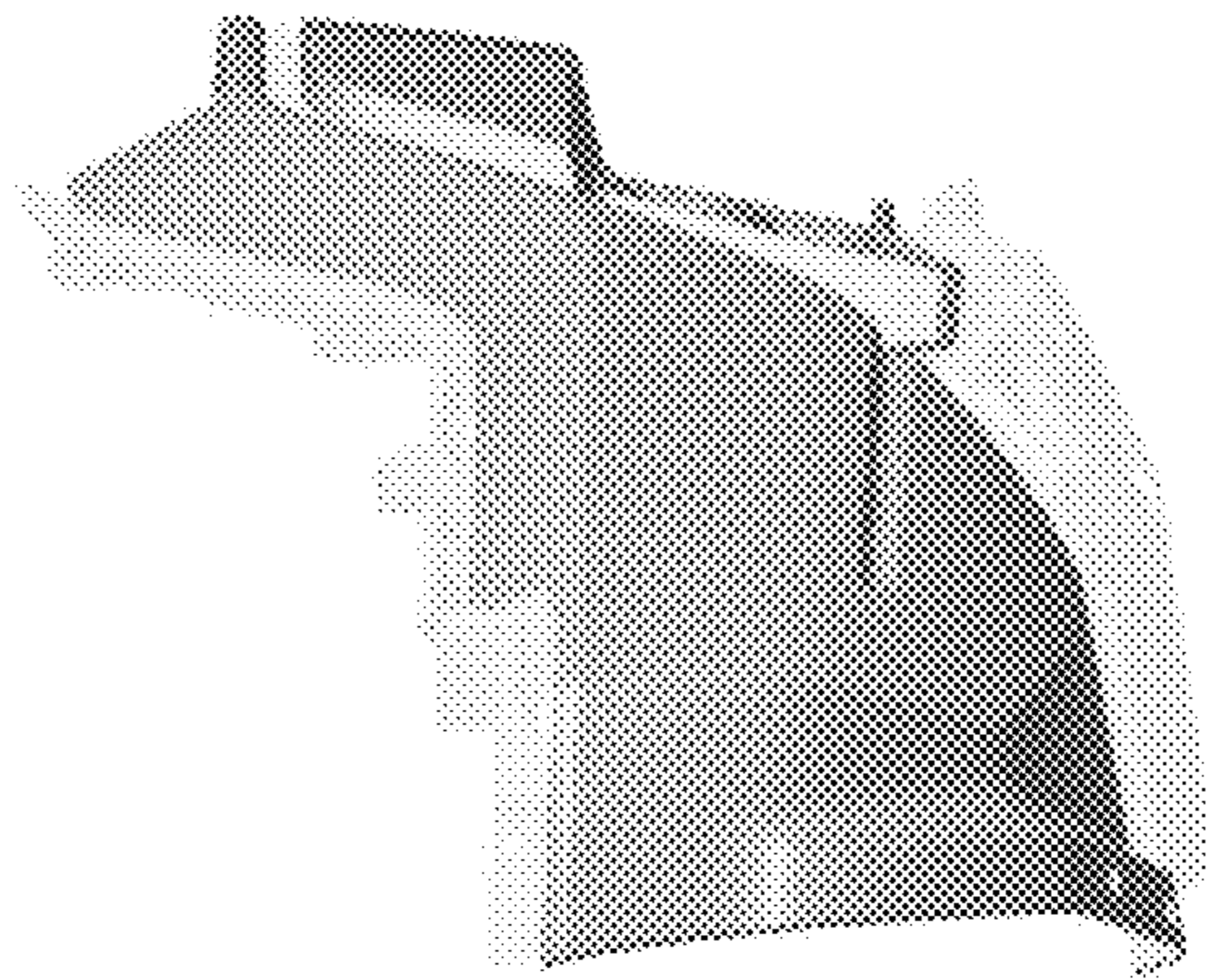


Fig. 3

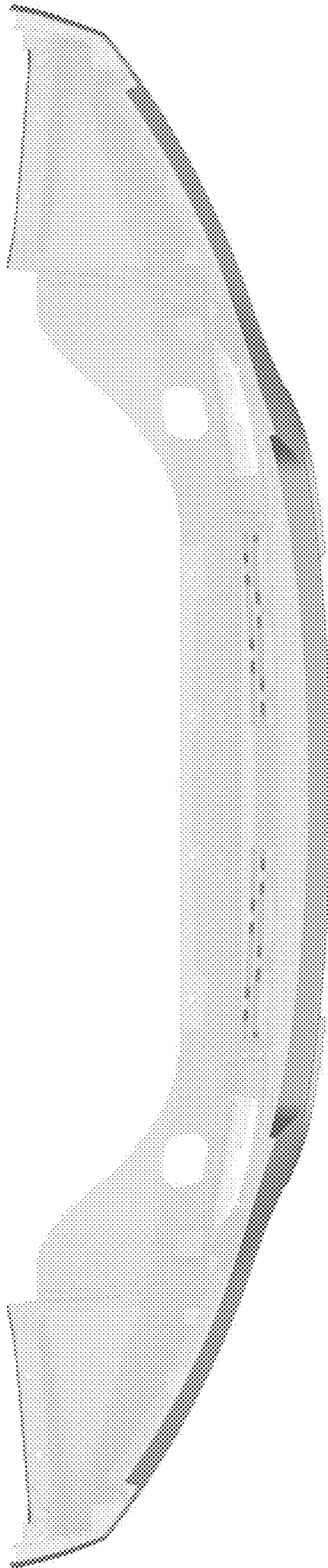


Fig.4

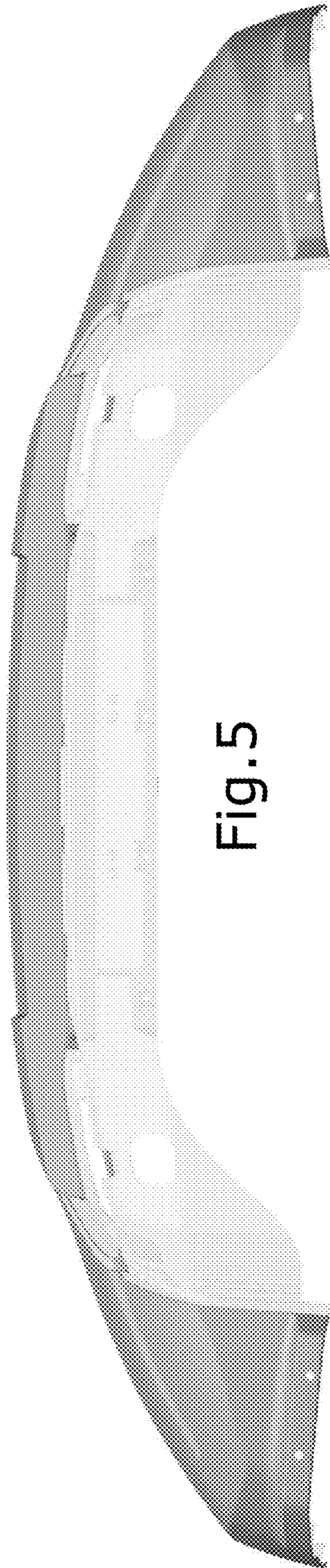


Fig. 5

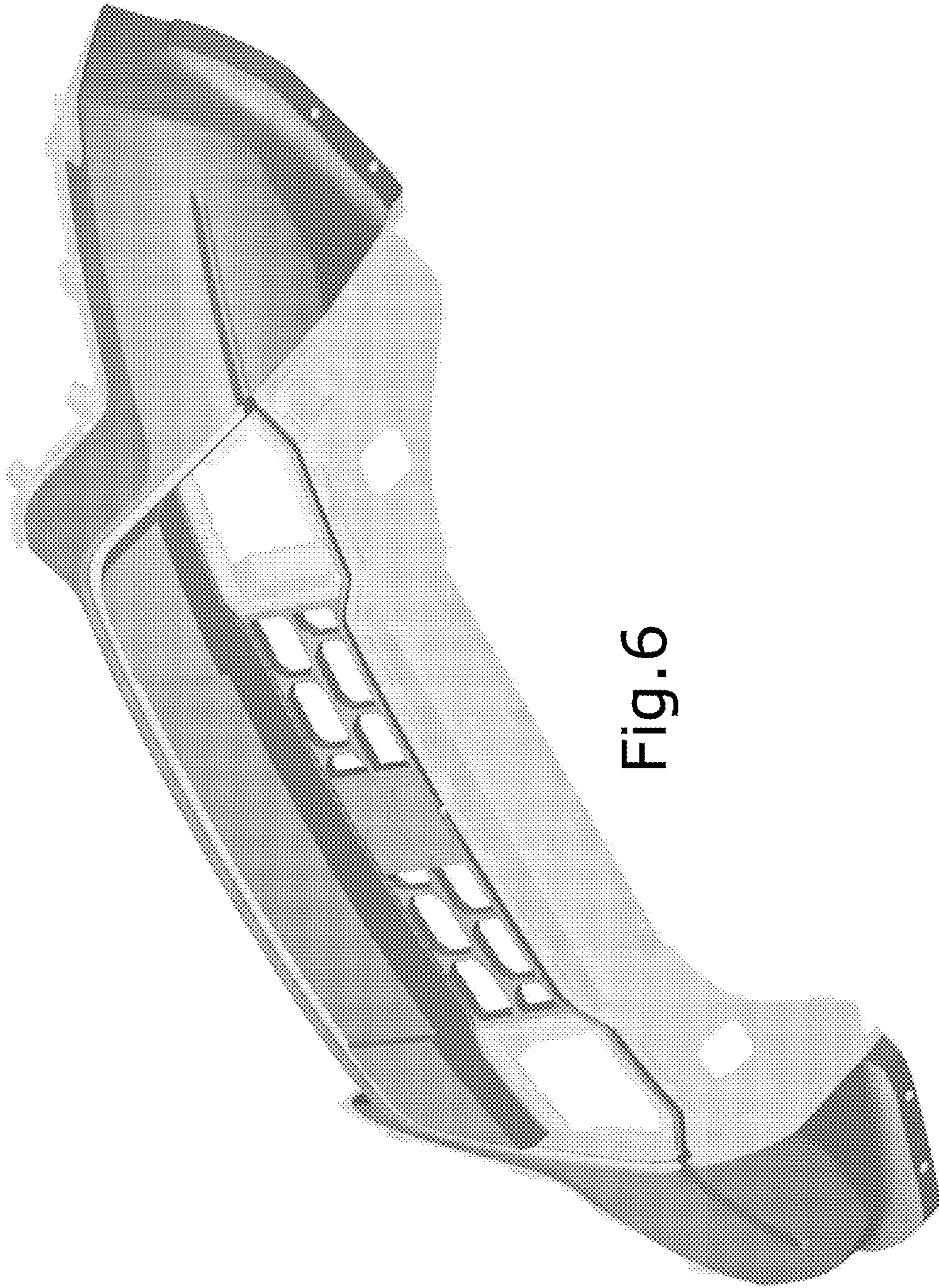


Fig. 6

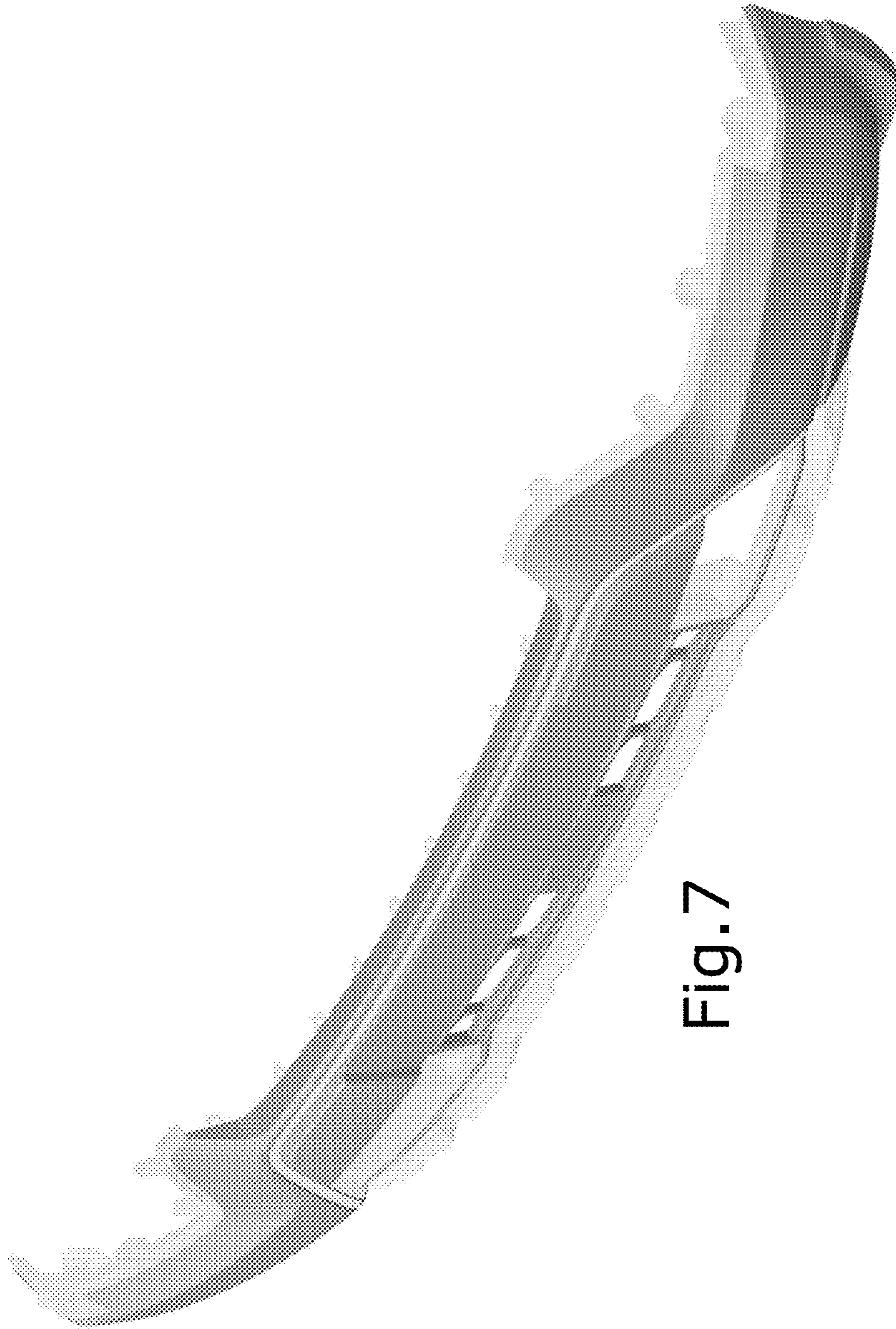


Fig. 7