



US00D981918S

(12) **United States Design Patent** (10) **Patent No.:** **US D981,918 S**
Arguden et al. (45) **Date of Patent:** **** Mar. 28, 2023**

(54) **VEHICLE FRONT UPPER GRILLE**
(71) Applicant: **Ford Global Technologies, LLC**,
Dearborn, MI (US)
(72) Inventors: **Ege Arguden**, Detroit, MI (US); **Dong H. Park**, Canton, MI (US); **Paul Wraith**, West Bloomfield, MI (US); **William Mangan**, Ypsilanti, MI (US); **Damon G. DePeyster**, Northville, MI (US); **Heath W. Hillard**, Detroit, MI (US)

D805,965 S * 12/2017 Davis D12/163
D817,233 S * 5/2018 Bucher D12/163
D830,243 S * 10/2018 Gueler D12/163
D874,900 S 2/2020 Kim et al.
D874,989 S * 2/2020 Utsunomiya D12/163
D886,690 S * 6/2020 Hamilton D12/163
D886,691 S * 6/2020 Zhang D12/163
D891,315 S * 7/2020 Metros D12/163
D902,092 S 11/2020 Park et al.
D902,093 S * 11/2020 Behmer D12/163
D903,542 S * 12/2020 Kim D12/163
D922,916 S * 6/2021 Koo D12/163

(Continued)

(73) Assignee: **Ford Global Technologies, LLC**,
Dearborn, MI (US)

(**) Term: **15 Years**

(21) Appl. No.: **29/781,630**

(22) Filed: **Apr. 30, 2021**

(51) **LOC (14) Cl.** **12-16**

(52) **U.S. Cl.**
USPC **D12/163**

(58) **Field of Classification Search**
USPC D12/163, 196, 86, 90-92, 169, 190, 98,
D12/164; 293/193.11; 180/68.1, 68.6
CPC B62B 9/16; B60K 11/08; B62D 25/08;
B60R 19/52
See application file for complete search history.

(56) **References Cited**

U.S. PATENT DOCUMENTS

D610,495 S 2/2010 Bucher et al.
D691,929 S 10/2013 Betancourt et al.
D727,220 S * 4/2015 Rugar D12/163
D753,555 S 4/2016 Behmer et al.
D754,038 S 4/2016 Bermer et al.
D758,926 S * 6/2016 Rugar D12/163
D758,928 S * 6/2016 Messale D12/163
D805,005 S * 12/2017 Tomita D12/163

FOREIGN PATENT DOCUMENTS

CN 202030124400X 9/2020
CN 2020301244118 9/2020
CN 2020301248725 9/2020

Primary Examiner — Melody N Brown

(74) *Attorney, Agent, or Firm* — Vichit Chea

(57) **CLAIM**

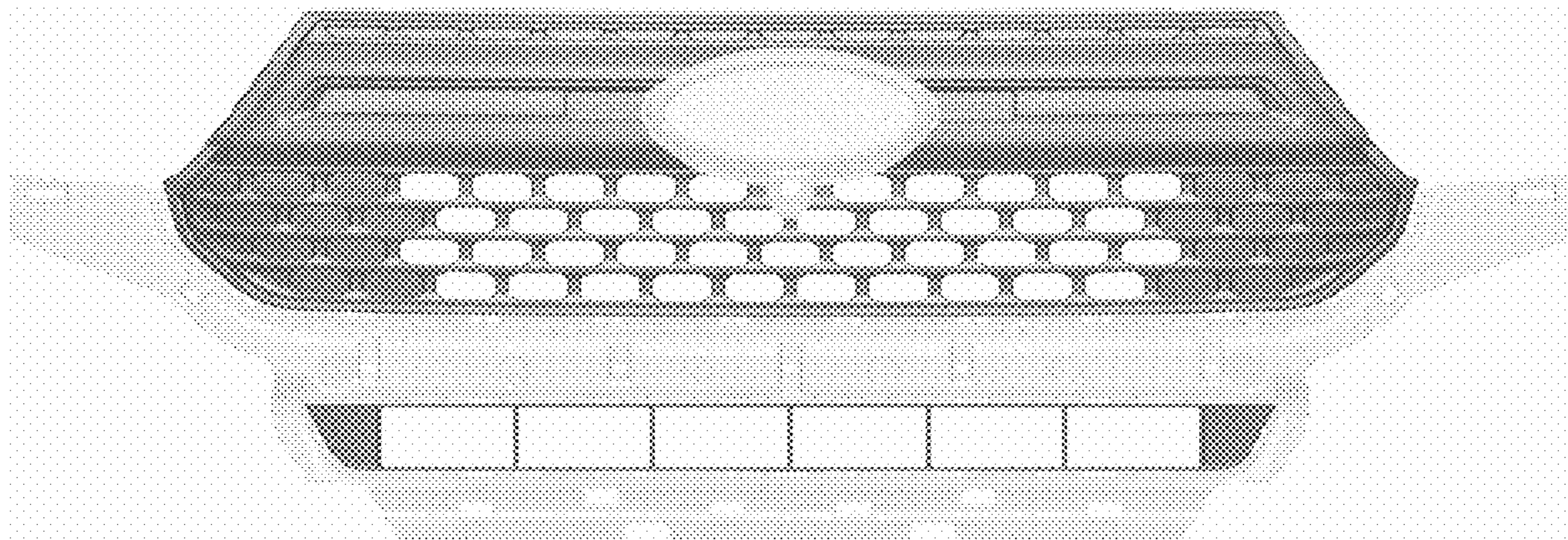
The ornamental design for a vehicle front upper grille, as shown and described.

DESCRIPTION

FIG. 1 is a front elevational view of a vehicle front upper grille, showing our new design;
FIG. 2 is a left side elevational view thereof;
FIG. 3 is a right side elevational view thereof;
FIG. 4 is a top plan view thereof;
FIG. 5 is a bottom plan view thereof;
FIG. 6 is a top, front and left side perspective view thereof;
and,
FIG. 7 is a bottom, front and left side perspective view thereof.

The claimed design is indicated by the relatively dark portions in the figures. The de-emphasized and relatively light portions form no part of the claimed design.

1 Claim, 7 Drawing Sheets



(56)

References Cited

U.S. PATENT DOCUMENTS

D962,834 S * 9/2022 Kobayashi D12/163
D965,482 S * 10/2022 Zhu D12/163

* cited by examiner

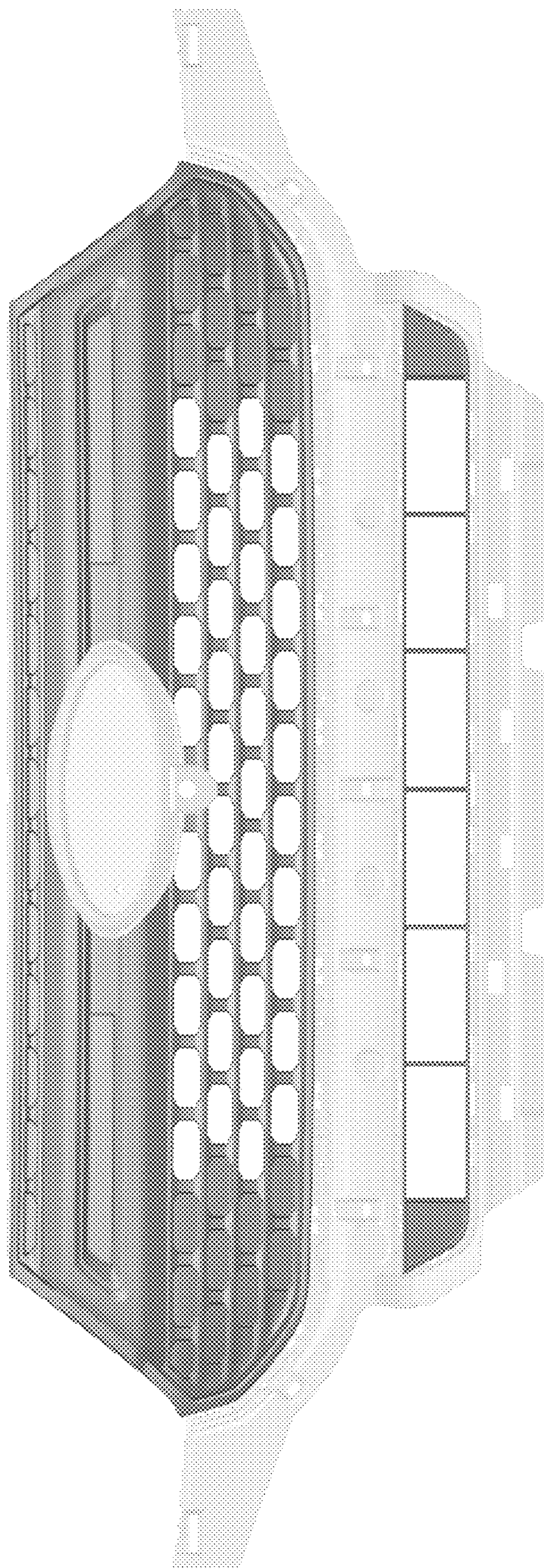


Fig.1

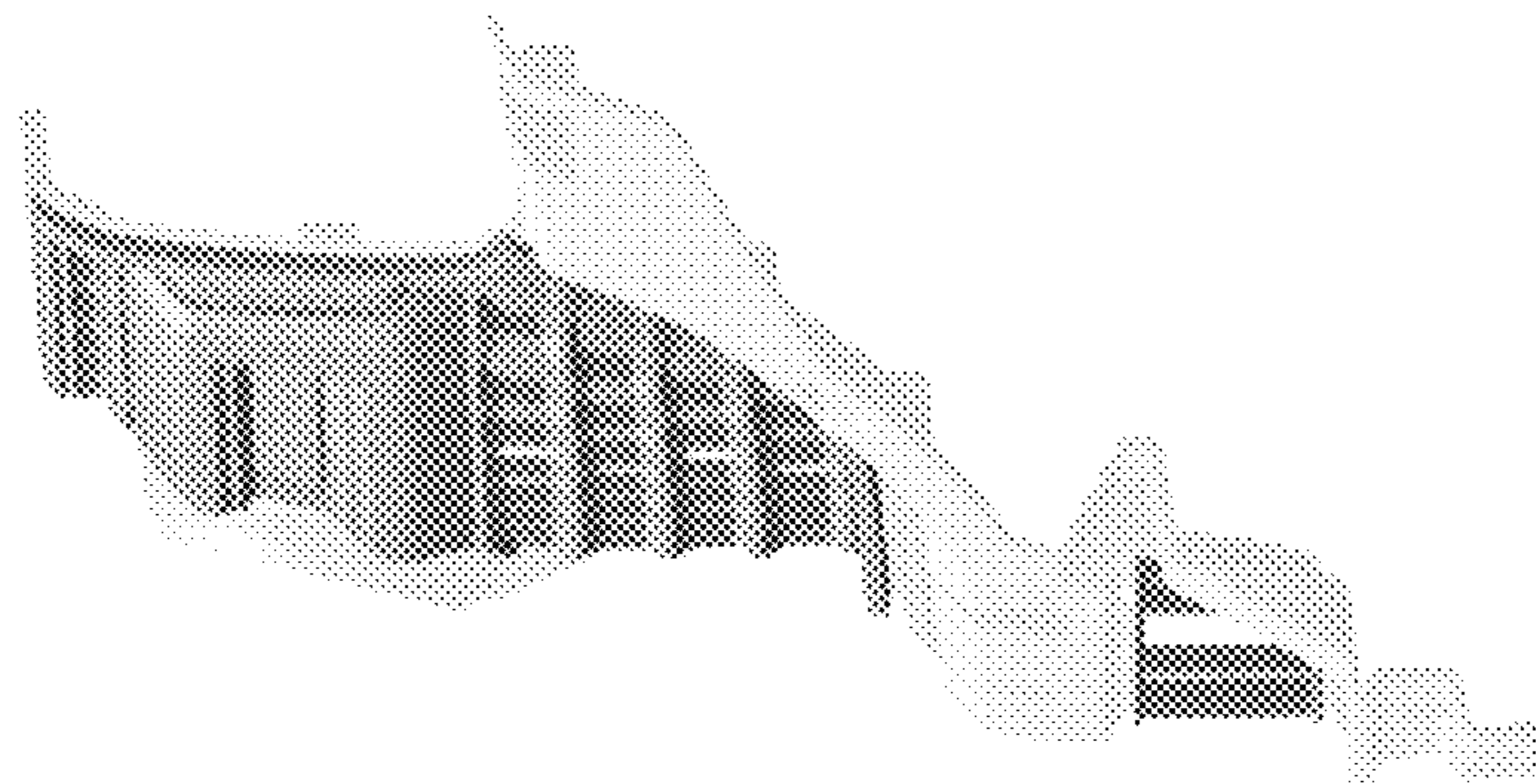


Fig. 2

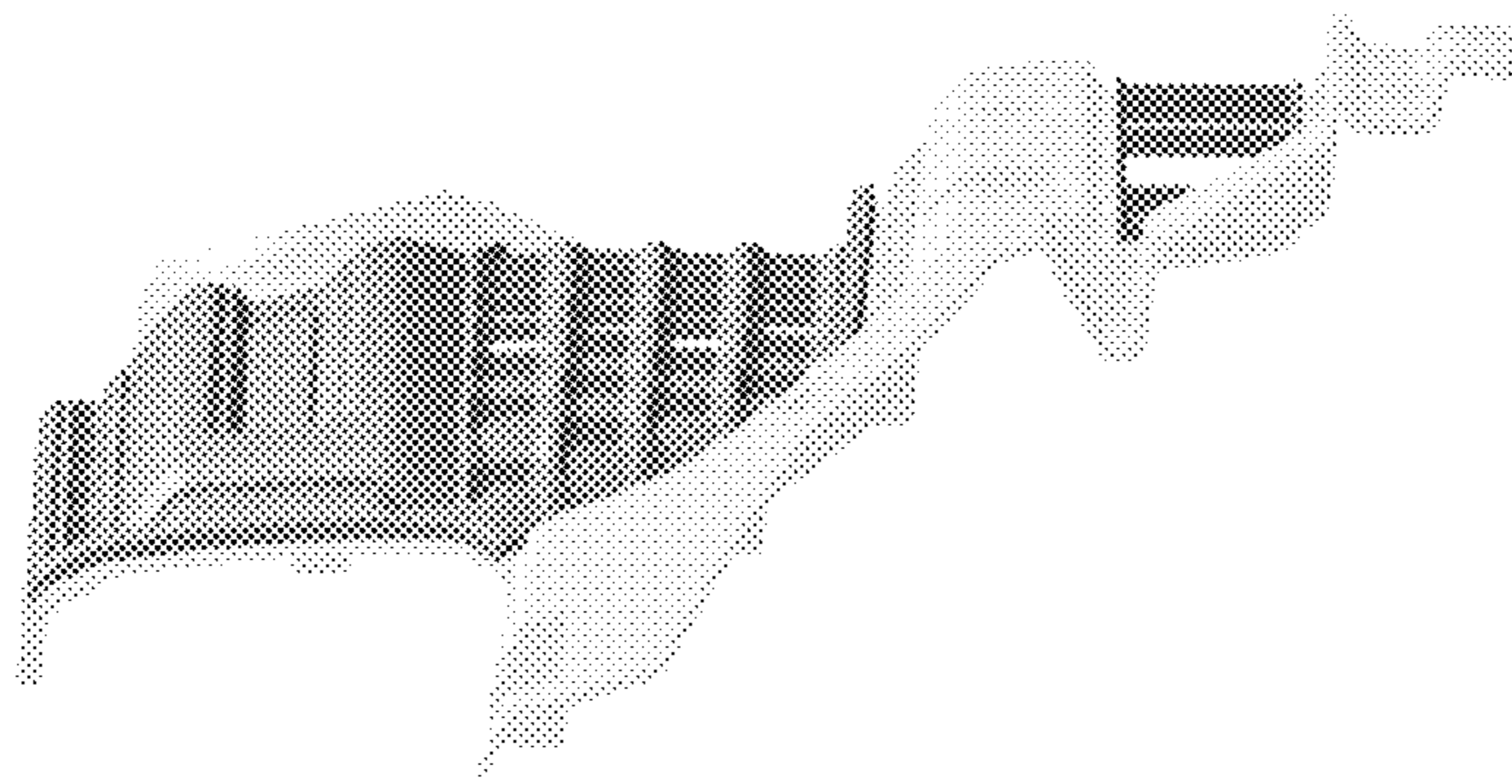


Fig. 3

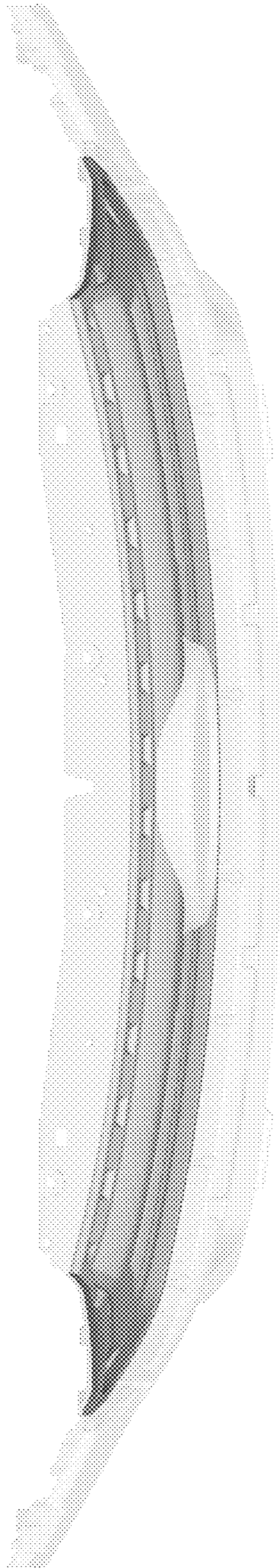


Fig.4

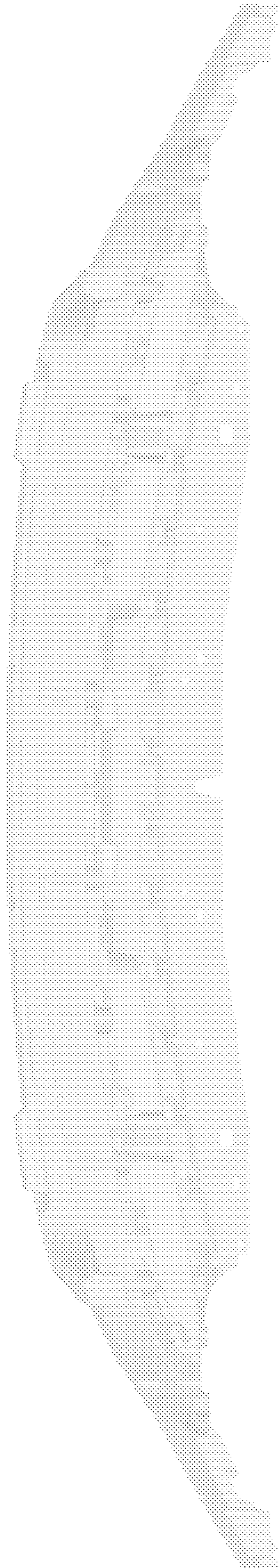


Fig. 5

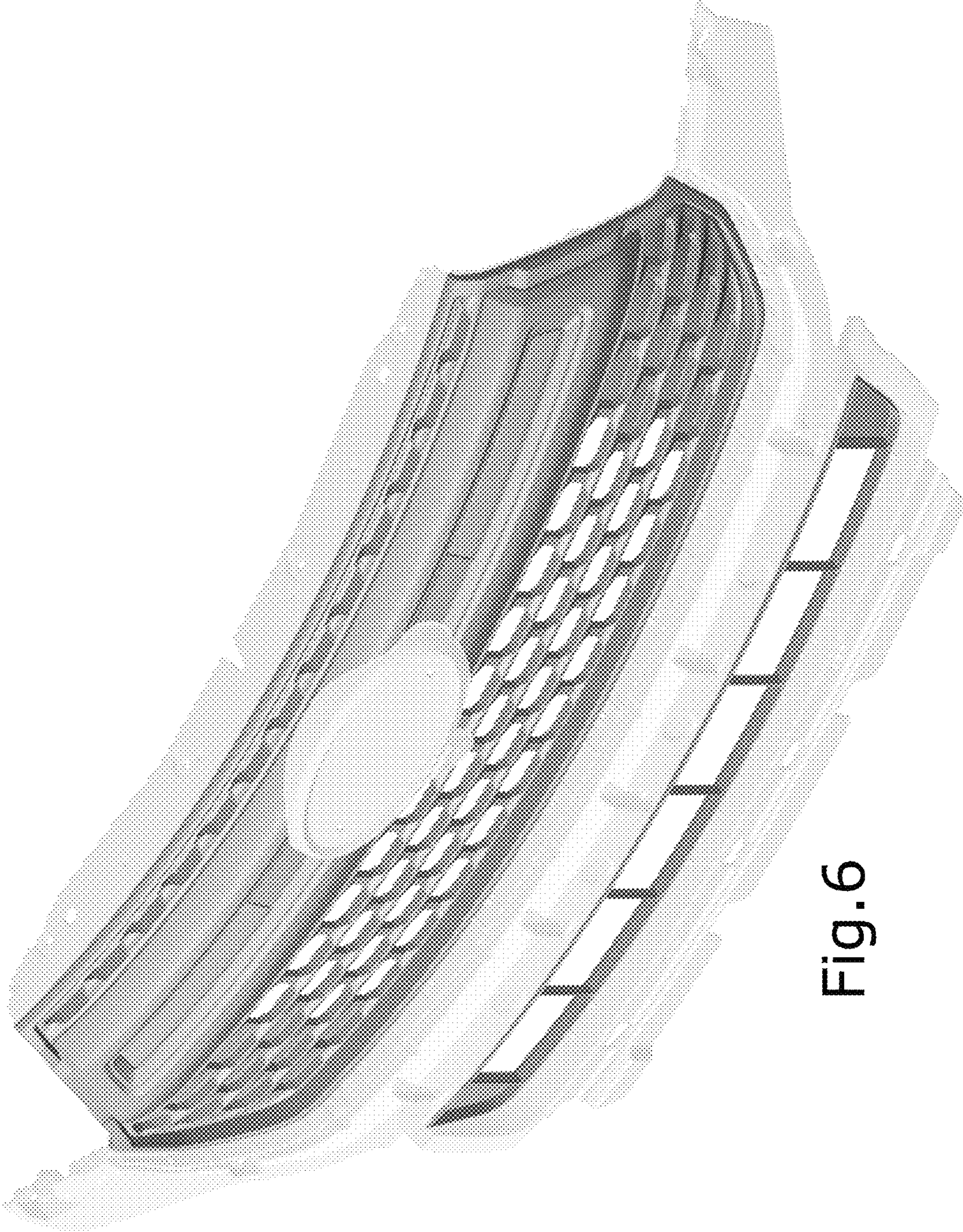


Fig.6

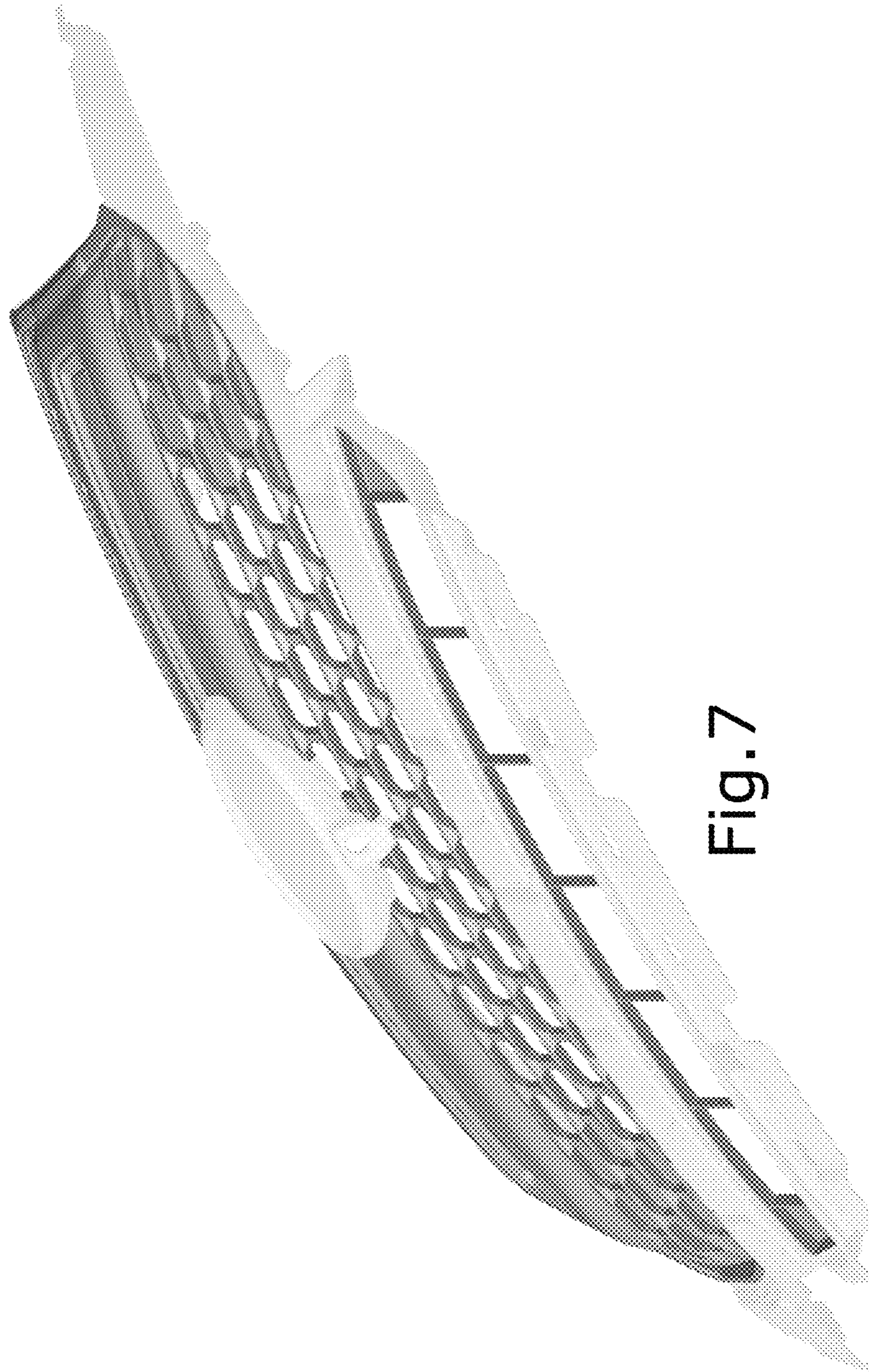


Fig. 7