



US00D981917S

(12) **United States Design Patent**
Lin

(10) **Patent No.:** **US D981,917 S**
(45) **Date of Patent:** **** *Mar. 28, 2023**

(54) **ELECTRIC SCOOTER**

(71) Applicant: **Zenghui Lin**, Taizhou (CN)

(72) Inventor: **Zenghui Lin**, Taizhou (CN)

(*) Notice: This patent is subject to a terminal disclaimer.

(**) Term: **15 Years**

D457,466 S *	5/2002	Cheng	D12/85
D460,028 S *	7/2002	Wu	D12/128
D479,496 S *	9/2003	Tsai	D12/128
D488,409 S *	4/2004	Tsai	D12/128
D490,753 S *	6/2004	Tsai	D12/128
D511,720 S *	11/2005	Chen	D12/128
D530,650 S *	10/2006	Azuma	D12/131
D561,651 S *	2/2008	Yamagishi	D12/131
D571,264 S *	6/2008	Yang	D12/131
D590,751 S *	4/2009	Yang	D12/128
D720,660 S *	1/2015	Siao	D12/131
D874,348 S *	2/2020	Abe	D12/128

(21) Appl. No.: **29/747,122**

(22) Filed: **Aug. 20, 2020**

(51) **LOC (14) Cl.** **12-12**

(52) **U.S. Cl.**
USPC **D12/131**

(58) **Field of Classification Search**
USPC D12/110, 111, 117, 128, 129, 130, 131,
D12/132, 133; D21/432, 538, 686, 687,
D21/689, 690, 691
CPC . A61G 5/00; A61G 5/02; A61G 5/021; A61G
5/022; A61G 5/04; A61G 5/041; A61G
5/042; A61G 5/043; A61G 5/045; A61G
5/046; A61G 5/047; A61G 5/048; A61G
5/10; A61G 5/128; B62K 11/00; B62K
11/02; B62K 11/04; B62K 11/10; B62K
17/00; B62K 19/00

See application file for complete search history.

(56) **References Cited**

U.S. PATENT DOCUMENTS

D322,050 S *	12/1991	Kataoka	D12/1
D322,051 S *	12/1991	Kataoka	D12/1
D382,838 S *	8/1997	Black	D12/131
D403,279 S *	12/1998	Wu	D12/131
D409,121 S *	5/1999	Imai	D12/131
D444,421 S *	7/2001	Cheng	D12/128
D454,814 S *	3/2002	Ou	D12/128

OTHER PUBLICATIONS

LuxuryTon X-1000, Published date unavailable [online], [retrieved on Nov. 7, 2021]. Retrieved from the Internet: <https://mobility4less.com/product/luxuryton-x-1000-4-wheels-electric-mobility-scooter/> (Year: 2021).*

* cited by examiner

Primary Examiner — Cary M Robinson
Assistant Examiner — Adam C Mager

(57) **CLAIM**

The ornamental design for an electric scooter, as shown and described.

DESCRIPTION

FIG. 1 is a perspective view of the electric scooter showing my new design;

FIG. 2 is a Front view thereof;

FIG. 3 is a Rear view thereof;

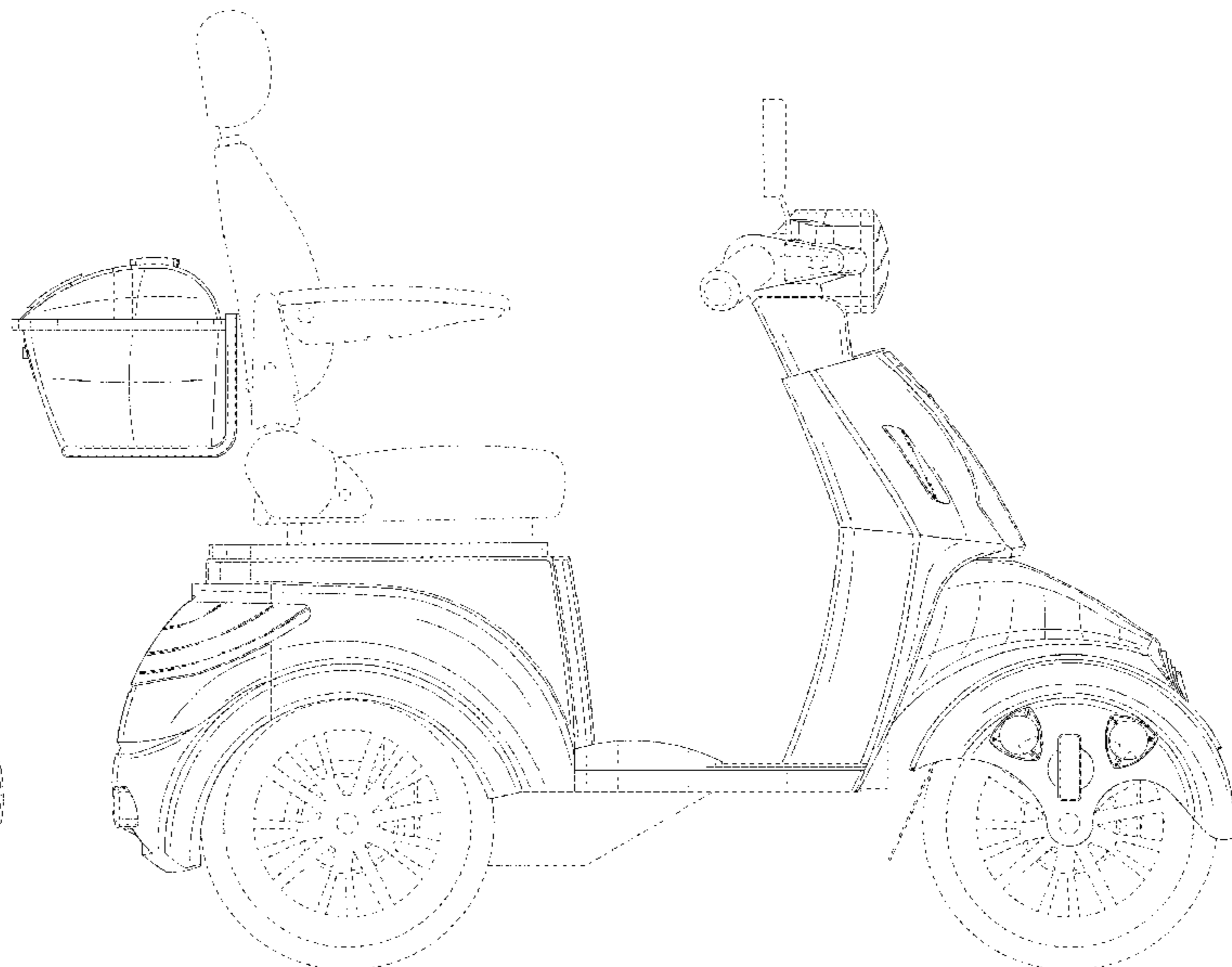
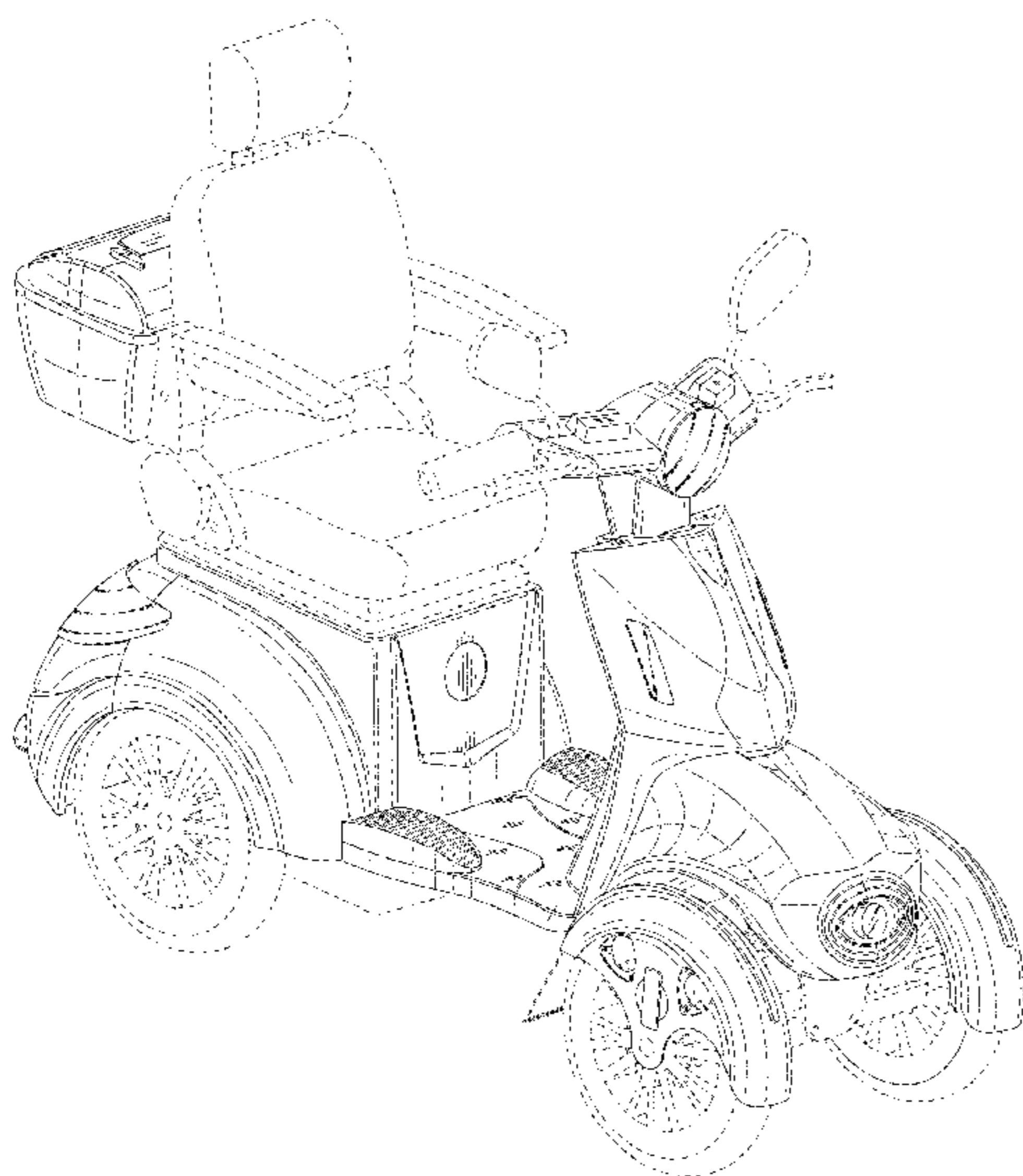
FIG. 4 is a right view thereof;

FIG. 5 is a left view thereof; and,

FIG. 6 is a top view thereof.

The broken lines illustrate portions of the electric scooter that form no part of the claimed design.

1 Claim, 6 Drawing Sheets



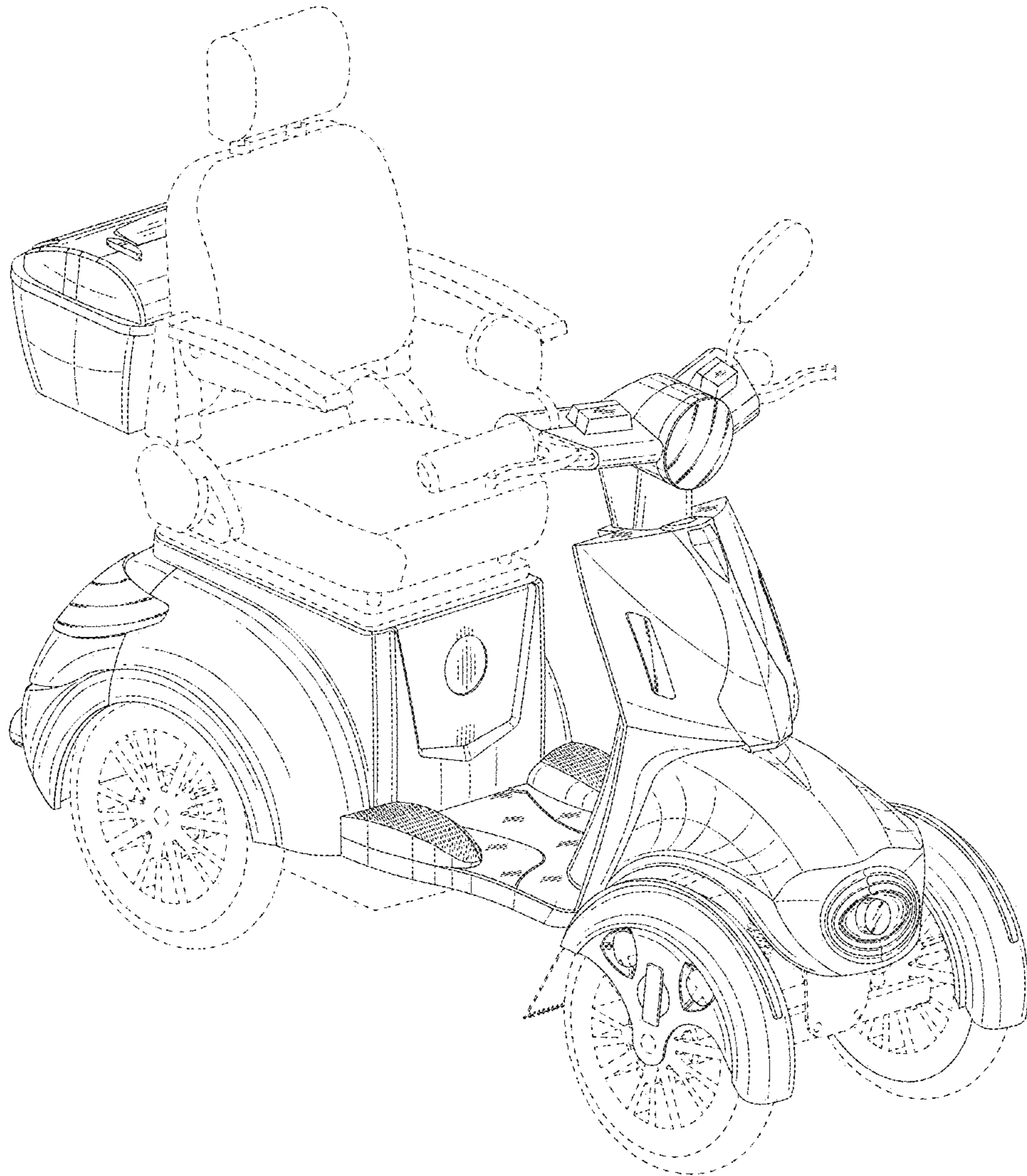


FIG. 1

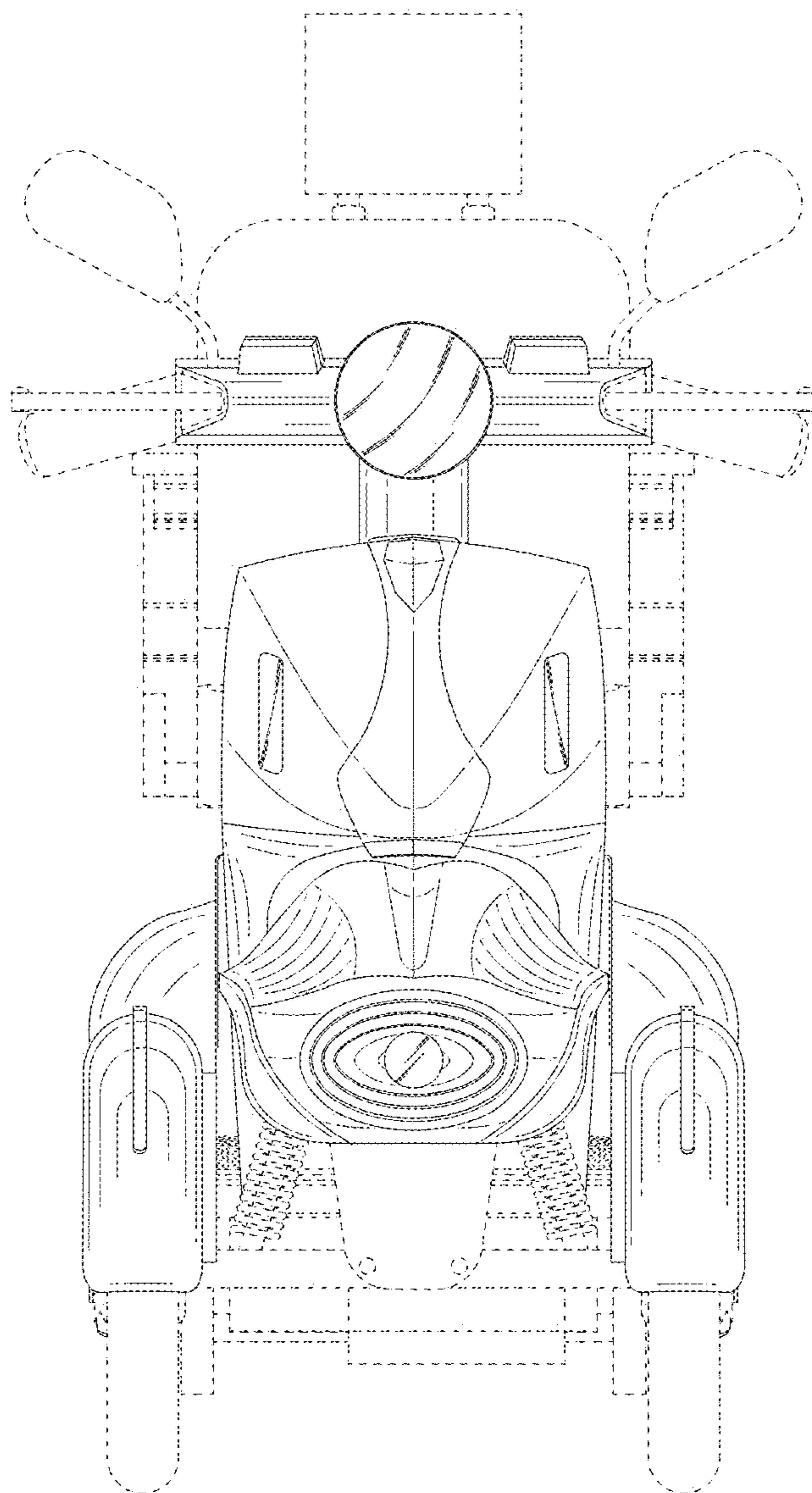


FIG. 2

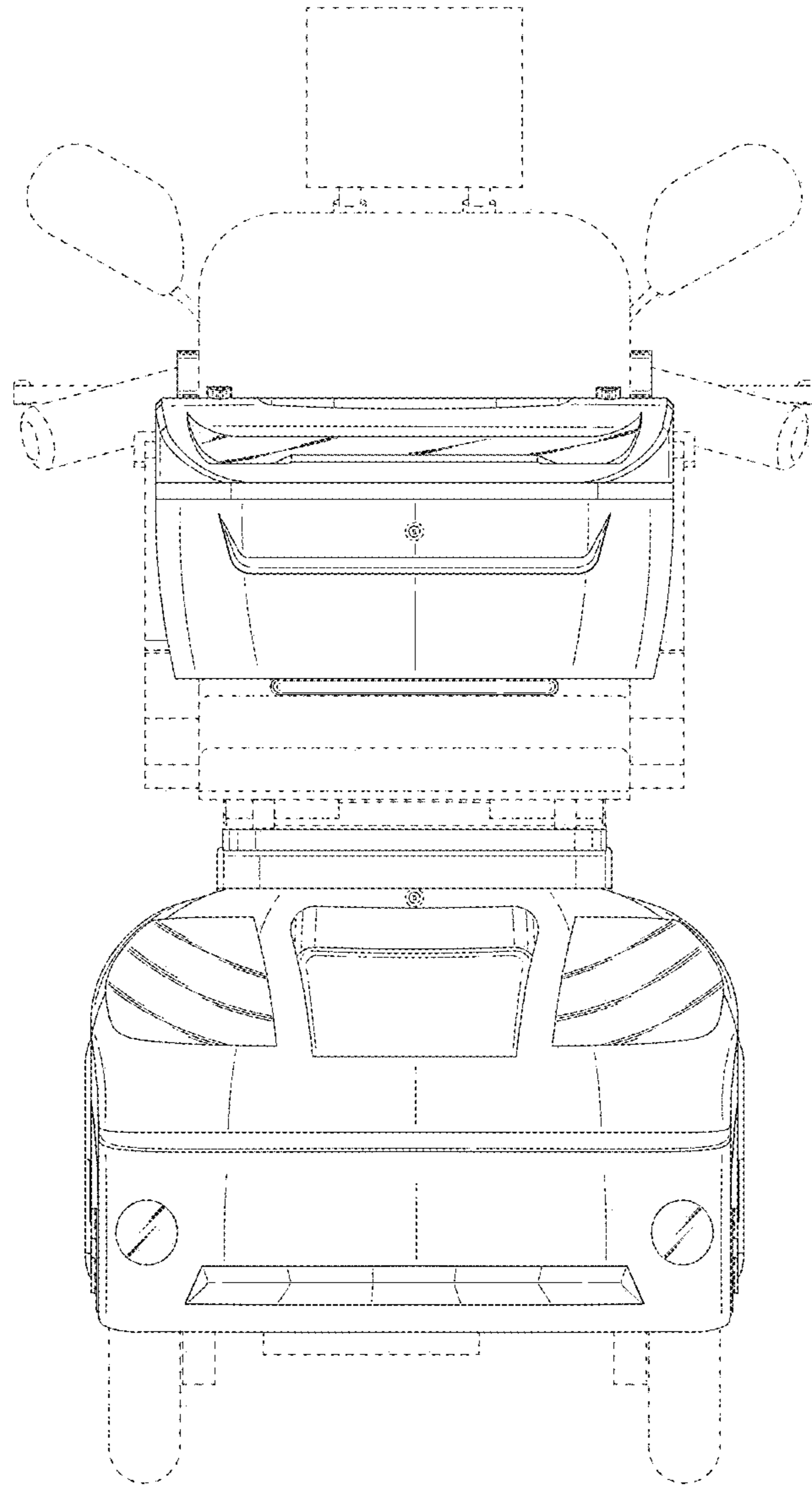


FIG. 3

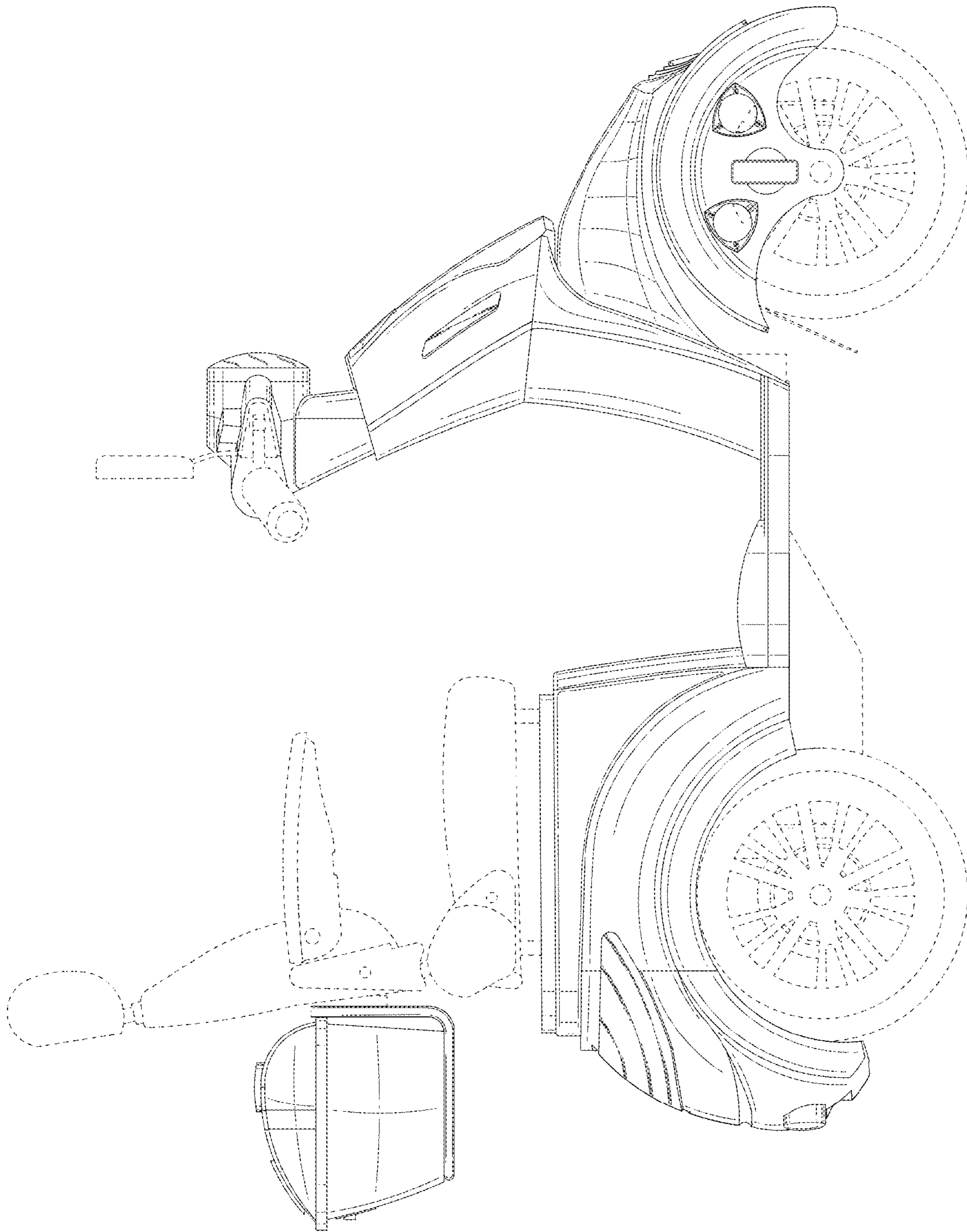


FIG. 4

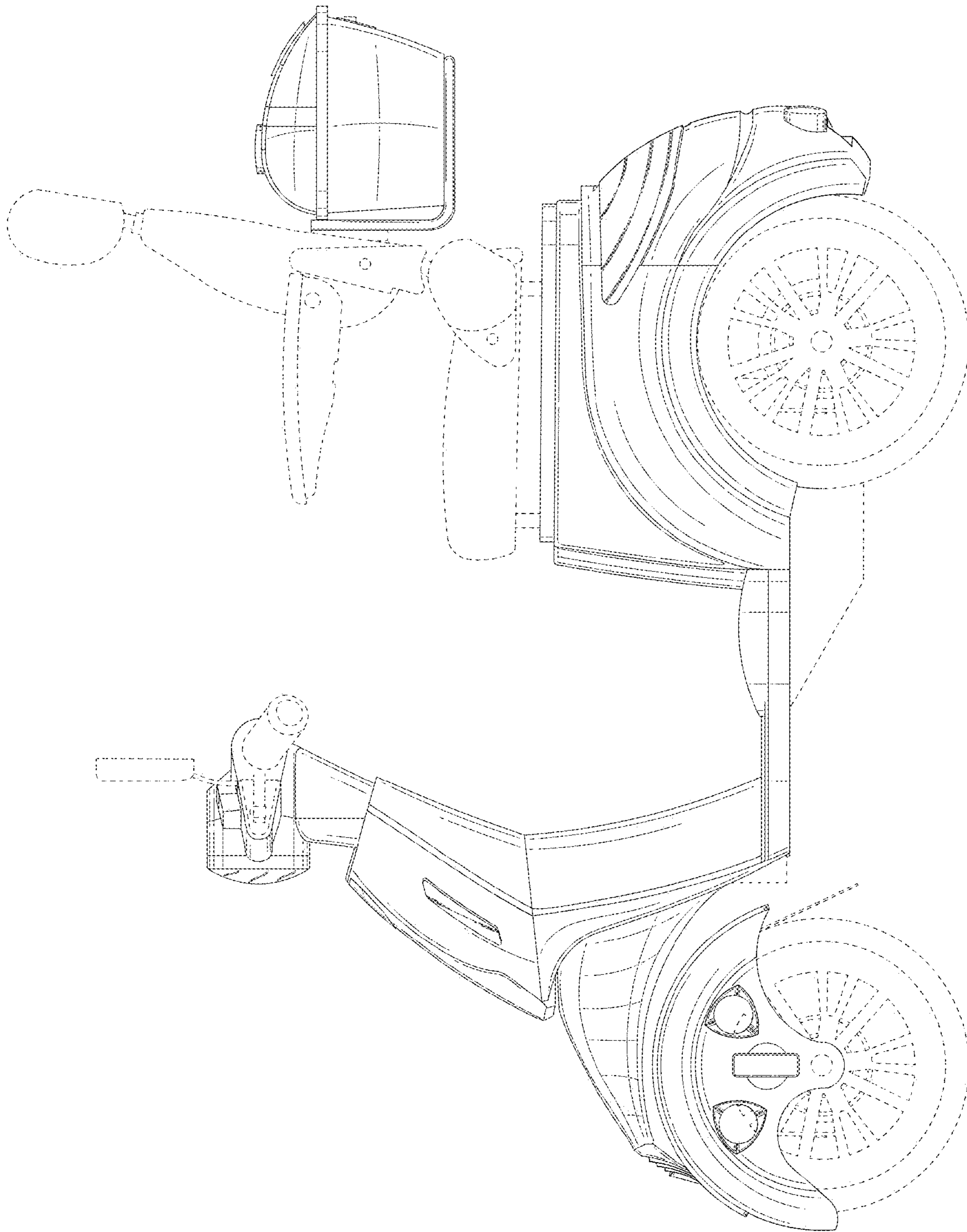


FIG. 5

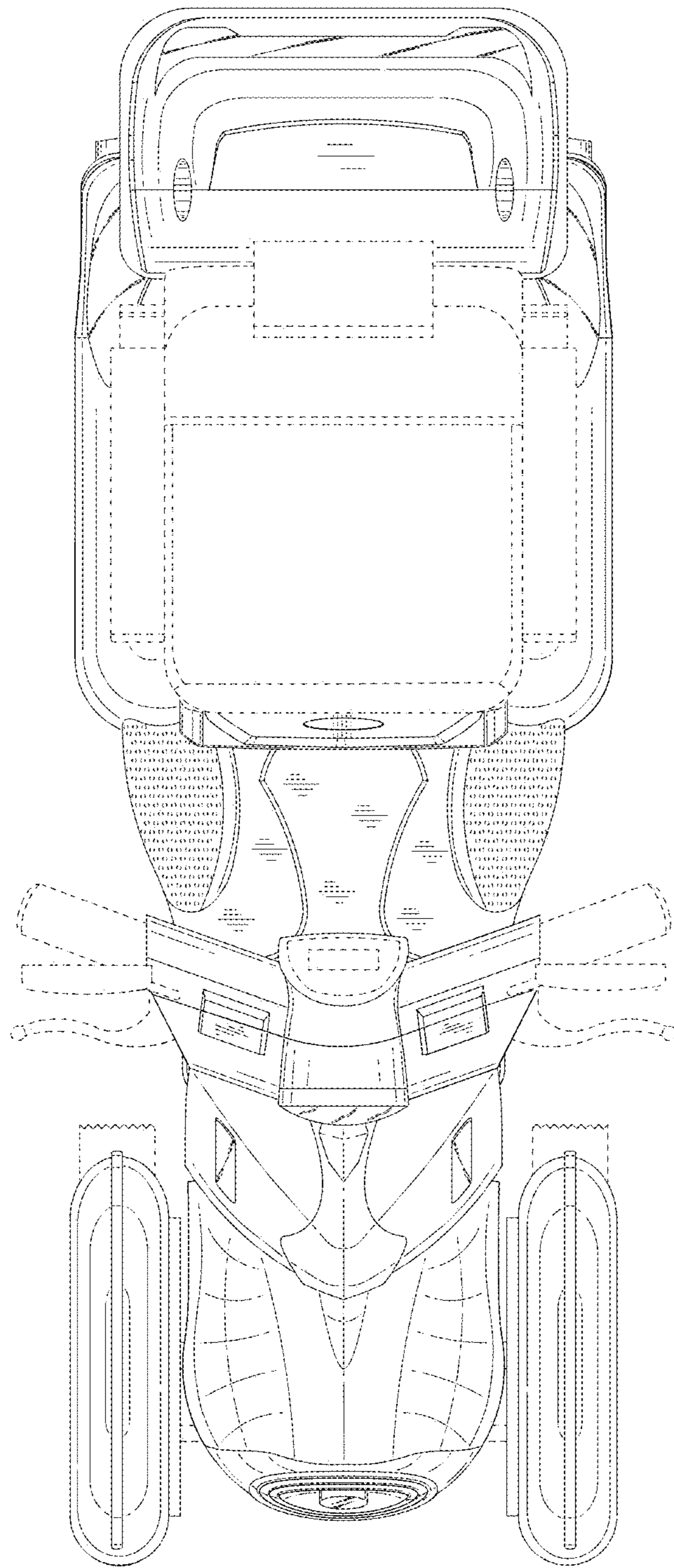


FIG. 6