



US00D981916S

(12) **United States Design Patent**  
**Lindholm**

(10) **Patent No.:** **US D981,916 S**

(45) **Date of Patent:** **\*\* Mar. 28, 2023**

(54) **FRONT FORK**

(71) Applicant: **Trike Shop of Minnesota, Inc.**, Gem Lake, MN (US)

(72) Inventor: **Douglas A. Lindholm**, Lake Elmo, MN (US)

(73) Assignee: **Trike Shop of Minnesota, Inc.**, Gem Lake, MN (US)

(\*\*) Term: **15 Years**

(21) Appl. No.: **29/768,940**

(22) Filed: **Feb. 2, 2021**

**Related U.S. Application Data**

(63) Continuation of application No. 29/668,405, filed on Oct. 30, 2018, now Pat. No. Des. 912,582.

(51) **LOC (14) Cl.** ..... **12-11**

(52) **U.S. Cl.**  
USPC ..... **D12/118**

(58) **Field of Classification Search**  
USPC ..... D12/111, 117, 118  
CPC ..... B62K 21/02; B62K 21/18; B62K 25/02  
See application file for complete search history.

(56) **References Cited**

**U.S. PATENT DOCUMENTS**

D278,044 S	3/1985	Ohba	
4,662,645 A *	5/1987	McMurtrey	B62K 21/02 280/279
D295,844 S *	5/1988	Levine	D12/118
D317,736 S *	6/1991	Kastan	D12/118
D340,434 S *	10/1993	Hammer	D12/118
D344,253 S	2/1994	Bishop et al.	
D368,054 S	3/1996	Behrens et al.	
D372,214 S	7/1996	Vaillancourt	
D401,537 S	11/1998	Turner	
D411,147 S	6/1999	Tsai	

D414,141 S	9/1999	Tsai	
D415,449 S	10/1999	Tsai	
D427,947 S *	7/2000	Carpinelli	D12/118
6,352,276 B1 *	3/2002	Hill	B62K 21/02 280/279

D464,003 S	10/2002	Chen	
D470,440 S	2/2003	Rose et al.	
6,517,095 B1	2/2003	Lansac et al.	
D494,108 S *	8/2004	Liao	D12/118
D506,708 S	6/2005	Conte	
6,916,033 B2	7/2005	Yih	

(Continued)

**OTHER PUBLICATIONS**

Prosecution history from corresponding U.S. Appl. No. 29/668,405, filed Oct. 30, 2018 including: Notice of Allowance and Fee(s) Due dated Jan. 22, 2021; Non-Final Rejection dated Jul. 9, 2020; and Requirement for Restriction/Election dated Jun. 18, 2020.

*Primary Examiner* — Darlington Ly

(74) *Attorney, Agent, or Firm* — Peter J. Ims; Westman, Champlin & Koehler, P.A.

(57) **CLAIM**

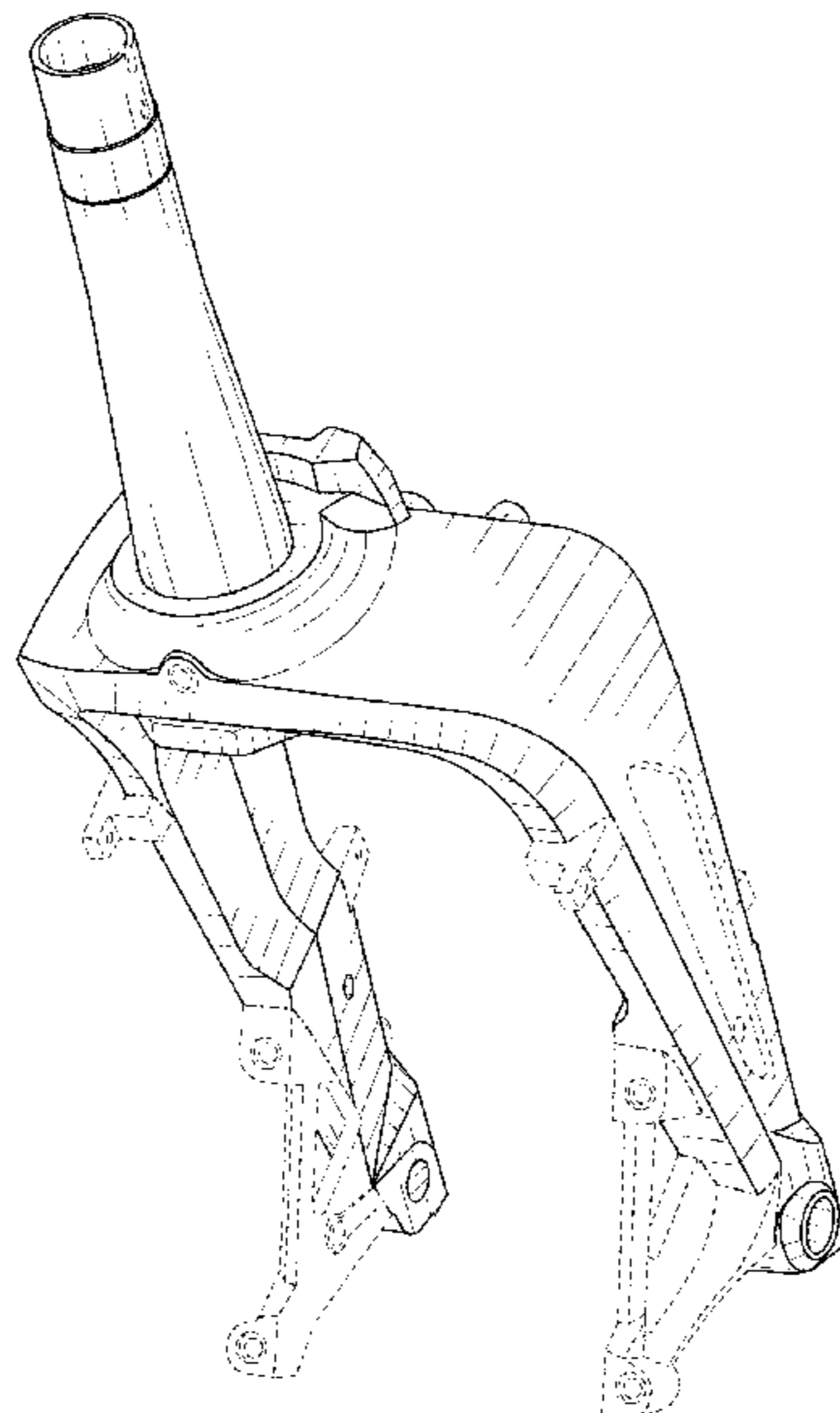
The ornamental design for a front fork, as shown and described.

**DESCRIPTION**

FIG. 1 is a top, rear, and right side perspective view of a front fork embodying my new design; FIG. 2 is a front elevation view thereof; FIG. 3 is a rear elevation view thereof; FIG. 4 is a right side elevation view thereof; FIG. 5 is a left side elevation view thereof; FIG. 6 is a top plan view thereof; and, FIG. 7 is a bottom plan view thereof.

The broken lines in the drawings are included for purposes of illustrating portions of the front fork and form no part of the claimed design.

**1 Claim, 5 Drawing Sheets**



(56)

**References Cited**

U.S. PATENT DOCUMENTS

D514,477	S	2/2006	Doll	
D521,420	S *	5/2006	Cobb	..... D12/118
D542,718	S	5/2007	Costa	
7,591,474	B1 *	9/2009	French	..... B62K 21/18 280/279
D675,132	S	1/2013	Colp	
D774,986	S	12/2016	Salvioli Mariani et al.	
9,598,137	B2	3/2017	Tsai et al.	
9,688,344	B2	6/2017	Rae	
9,981,713	B2	5/2018	Tsai	
D860,061	S	9/2019	Weagle et al.	
D902,086	S	11/2020	Tan	
2004/0026890	A1 *	2/2004	Cobb	..... B62K 21/02 280/276
2007/0257466	A1 *	11/2007	Murphy	..... B62K 21/02 280/276
2011/0316249	A1 *	12/2011	Thoma	..... B62K 25/02 280/279
2015/0274250	A1	10/2015	Kuwabara et al.	
2019/0127012	A1	5/2019	Lindholm	

\* cited by examiner

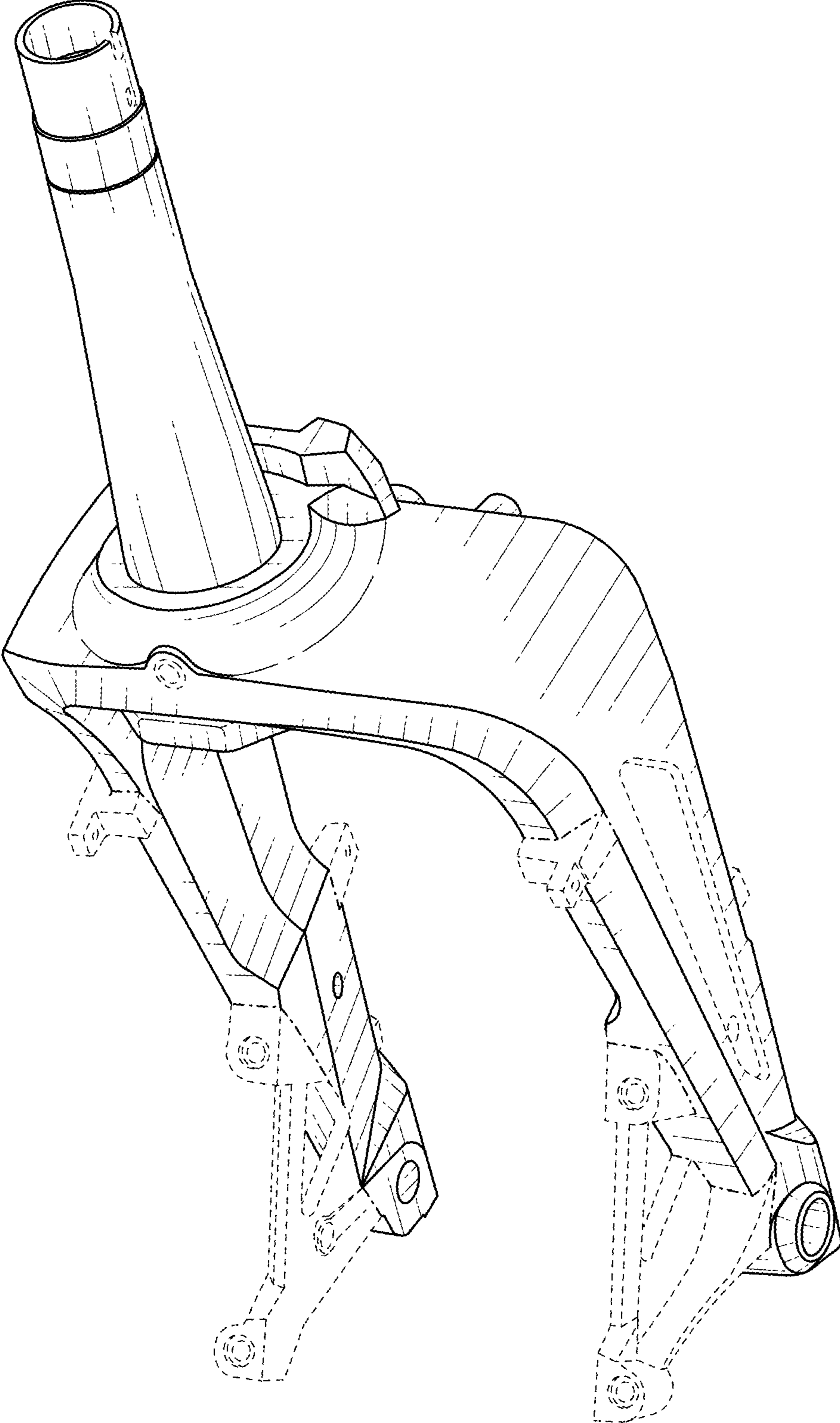


FIG. 1

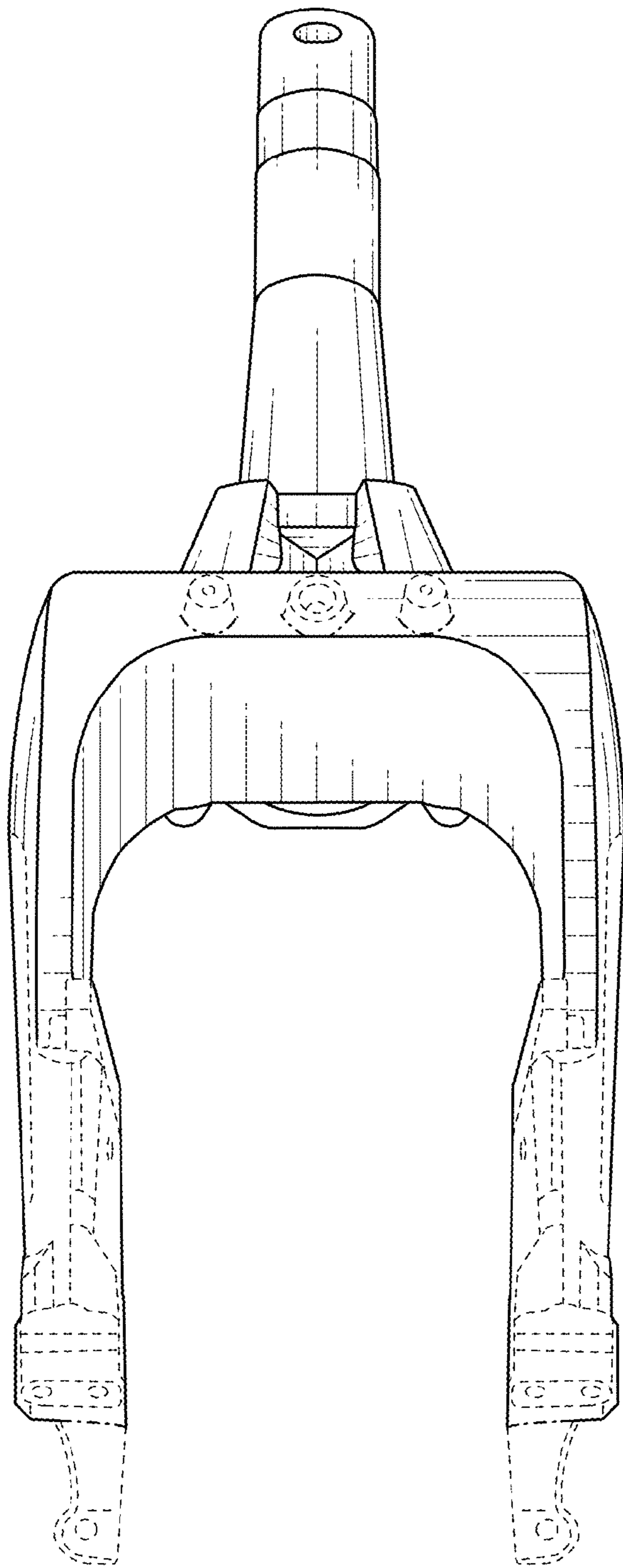


FIG. 2

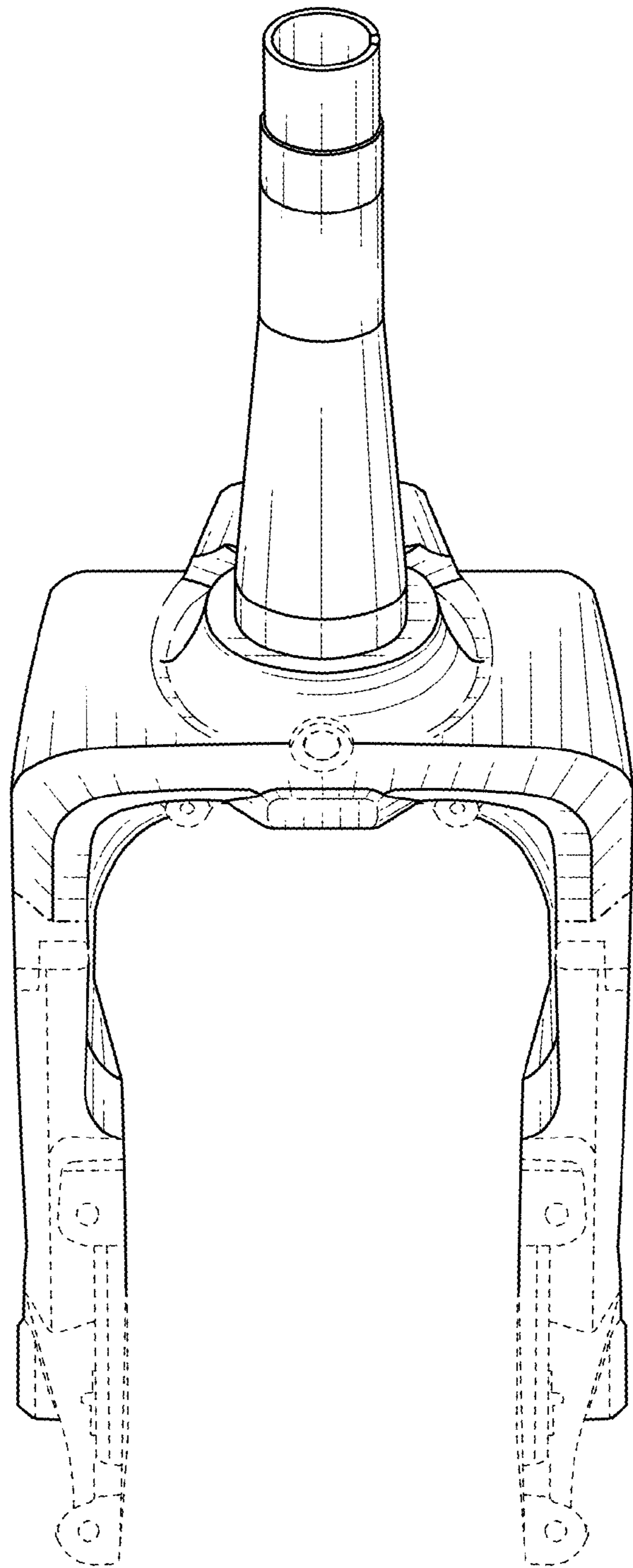


FIG. 3

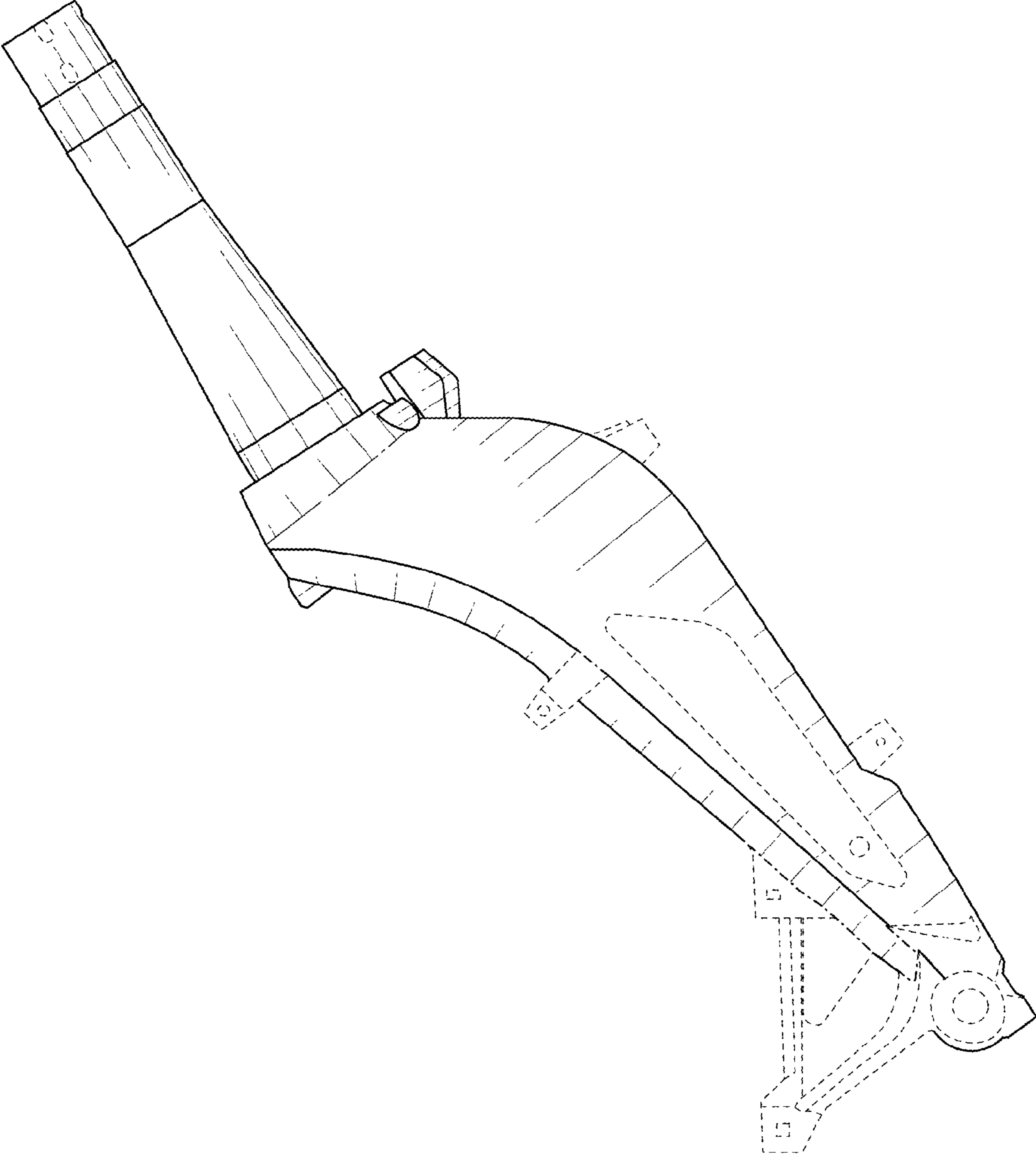


FIG. 4

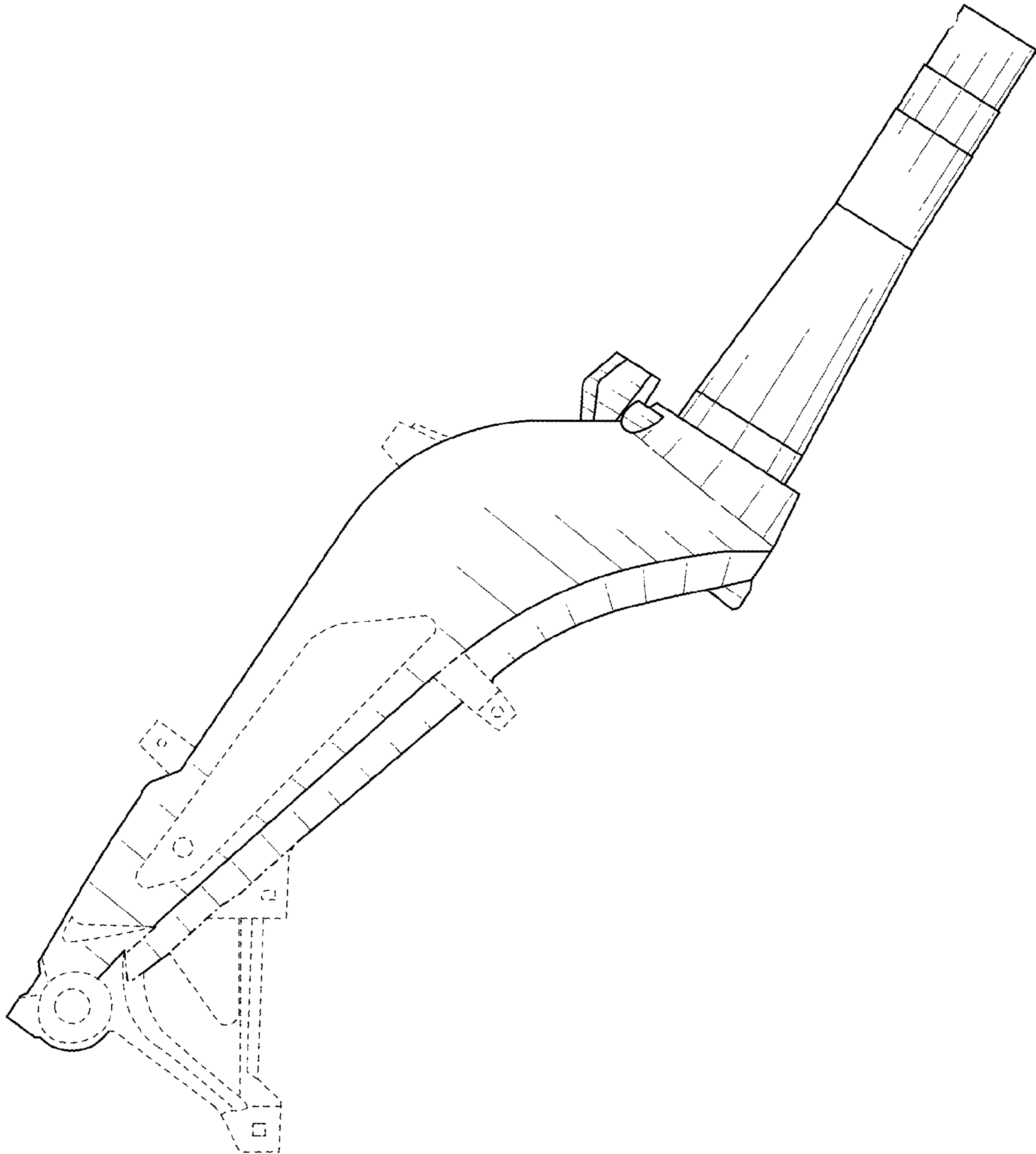


FIG. 5

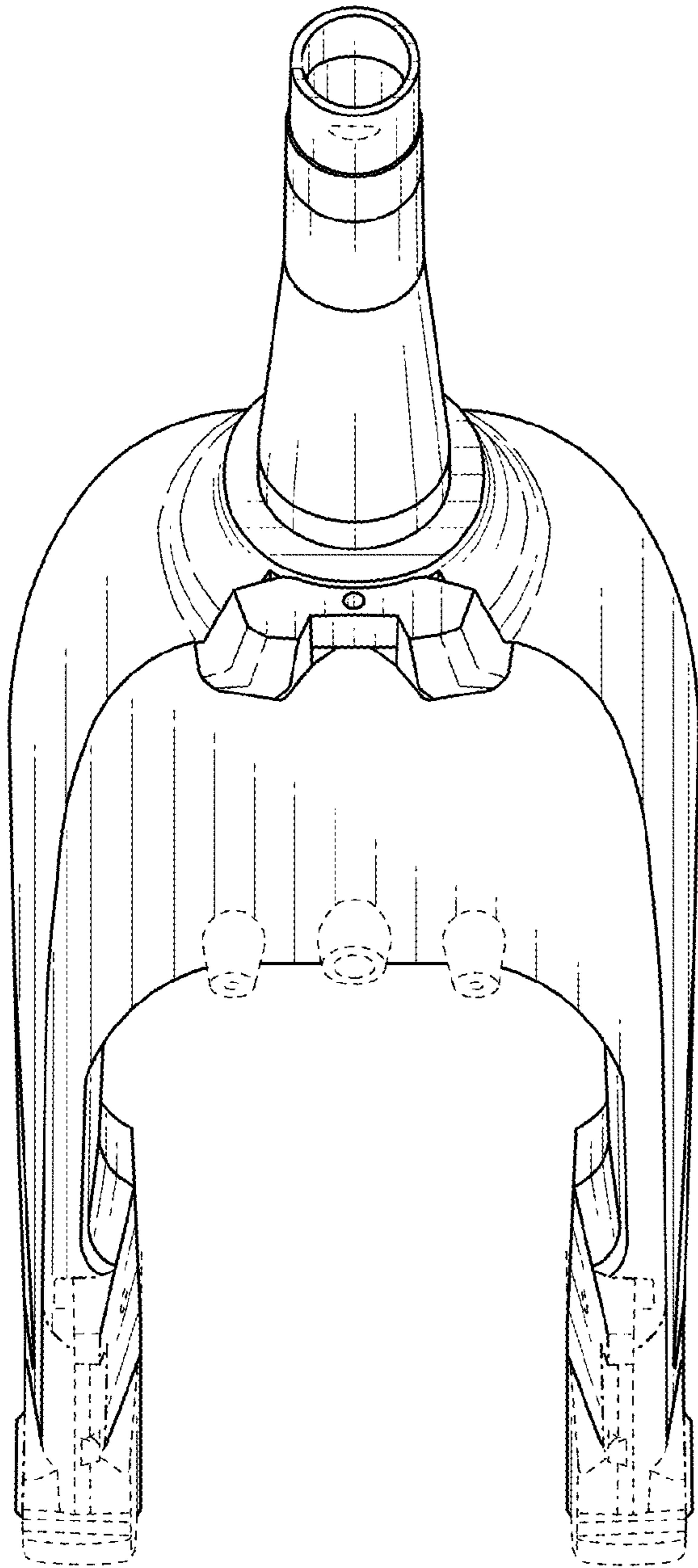


FIG. 6

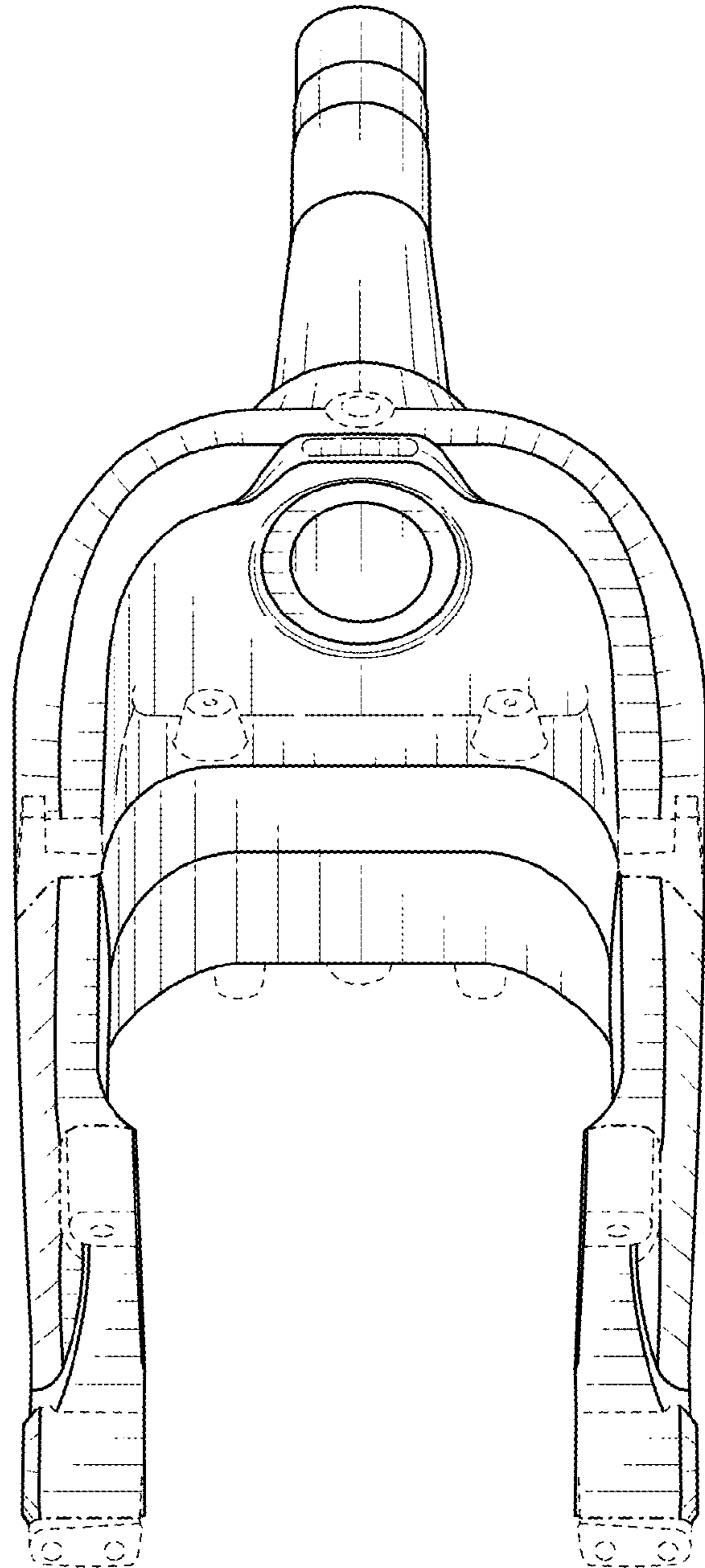


FIG. 7