



US00D981915S

(12) **United States Design Patent**
Xu

(10) **Patent No.:** **US D981,915 S**
(45) **Date of Patent:** **** Mar. 28, 2023**

(54) **ELECTRIC BICYCLE**

(71) Applicant: **Shenzhen Jueying Smart Travel Technology Co., Ltd.**, Guangdong (CN)

(72) Inventor: **Liang Xu**, Guangdong (CN)

(73) Assignee: **Shenzhen Jueying Smart Travel Technology Co., Ltd.**, Guangdong (CN)

(**) Term: **15 Years**

(21) Appl. No.: **29/860,370**

(22) Filed: **Nov. 18, 2022**

(51) **LOC (14) Cl.** **12-03**

(52) **U.S. Cl.**
USPC **D12/111**

(58) **Field of Classification Search**

USPC D12/110, 111; D21/412, 414, 419, 423, D21/424, 425, 426, 427, 428, 431, 432, D21/433, 434, 435

CPC B62K 25/286; B62K 25/08; B62K 23/06; B62K 25/04; B62K 21/12; B62K 2025/048; B62K 3/02; B62K 3/002; B62K 25/30; B62K 2204/00; B62K 25/02; B62K 19/36; B62K 21/02; B62K 23/02; B62K 15/006; B62K 25/28; B62K 19/40; B62K 19/30; B62K 15/008; B62K 2025/044; B62K 21/26; B62K 19/16; B62K 2206/00; B62K 13/00; B62K 21/125; B62K 19/34; B62K 3/04; B62K 3/005; B62K 21/16; B62K 15/00; B62K 11/04; B62K 5/027; B62K 5/05; B62K 19/18; B62K 2025/047; B62K 21/18; B62K 19/32; B62K 2202/00; B62K 5/08; B62K 2025/045; B62K 5/10; B62K 11/14; B62K 21/00; B62K 2015/001; B62K 11/00; B62K 19/06; B62K 25/283; B62K 19/02; B62K 27/12; B62K 2201/08; B62K 9/00; B62K 27/003; B62K 23/04; B62K 25/26; B62K 3/00;

B62K 25/24; B62K 25/06; B62K 3/10; B62K 21/04; B62K 2025/025; B62K 21/22; B62K 11/02; B62K 5/06; B62K 19/00; B62K 2025/041; B62K
(Continued)

(56) **References Cited**

U.S. PATENT DOCUMENTS

D614,084 S 4/2010 Tanaka et al.
D650,724 S 12/2011 Chiang
(Continued)

Primary Examiner — Khawaja Anwar

(74) *Attorney, Agent, or Firm* — ScienBiziP, P.C.

(57) **CLAIM**

The ornamental design for an electric bicycle, as shown and described.

DESCRIPTION

FIG. 1 is a front, right and top perspective view of an electric bicycle, showing my design.

FIG. 2 is a rear, left and bottom perspective view thereof.

FIG. 3 is a front elevation view thereof.

FIG. 4 is a rear elevation view thereof.

FIG. 5 is a left side elevation view thereof.

FIG. 6 is a right side elevation view thereof.

FIG. 7 is a top plan view thereof.

FIG. 8 is a bottom plan view thereof.

FIG. 9 is an enlarged view of detail 9 in FIG. 1.

FIG. 10 is an enlarged view of detail 10 in FIG. 1.

FIG. 11 is an enlarged view of detail 11 in FIG. 1.

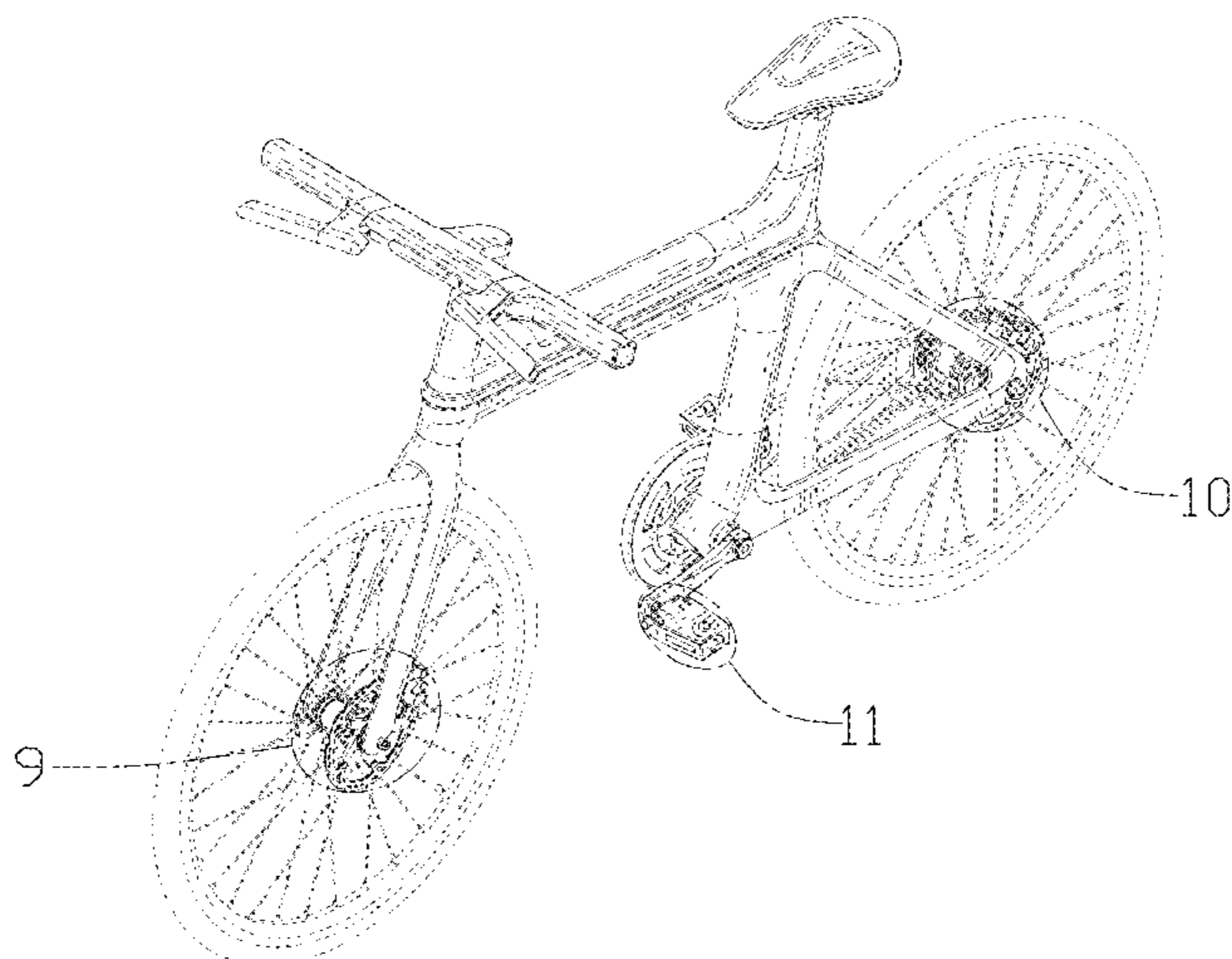
FIG. 12 is an enlarged view of detail 12 in FIG. 2.

FIG. 13 is an enlarged view of detail 13 in FIG. 2; and,

FIG. 14 is an enlarged view of detail 14 in FIG. 2.

The broken lines depict portions of the electric bicycle that form no part of the claimed design. In addition, the dot-dash broken lines in FIGS. 1, 2, and 9-14 depict the boundaries of the enlargements that form no part of the claimed design.

1 Claim, 14 Drawing Sheets



(58) **Field of Classification Search**

CPC . 5/01; B62K 5/02; B62K 17/00; B62K 25/20;
B62K 13/08; B62K 2015/003; B62K
21/20; B62K 25/00; B62K 2005/001;
B62K 2015/005; B62K 21/06; B62K
11/007; B62K 9/02; B62K 1/00; B62K
19/38; B62K 13/04; B62K 2201/02;
B62K 21/08; B62K 2201/04; B62K
21/24; B62K 3/06; B62K 5/00; B62K
25/10; B62K 21/14; B62K 11/10; B62K
27/02; B62K 7/04; B62K 19/46; B62K
25/005; B62K 23/00; B62K 19/24; B62K
19/08; B62K 13/02; B62K 2025/042;
B62K 3/16; B62K 19/20; B62K 13/06;
B62K 21/10; B62K 19/04; B62K 21/005;
B62K 25/16; B62K 7/02; B62K 2201/06;
B62K 19/48; B62K 3/12; B62K 3/14;
B62K 19/10; B62K 7/00; B62K 23/08;
B62K 27/006; B62K 19/28; B62K 19/42;
B62K 25/12; B62K 27/14; B62K 5/003;
B62K 19/44; B62K 27/00; B62K 19/22;

B62K 25/22; B62K 5/023; B62K 19/14;
B62K 11/08; B62K 11/06; B62K 19/12;
B62K 2201/00; B62K 27/06; B62K 5/025
See application file for complete search history.

(56)

References Cited

U.S. PATENT DOCUMENTS

D774,972	S	*	12/2016	Lambri	D12/111
D847,032	S	*	4/2019	Yan	D12/111
D863,114	S	*	10/2019	Hu	D12/111
D902,788	S	*	11/2020	Song	D12/111
D917,349	S	*	4/2021	Fan	D12/111
D925,406	S	*	7/2021	Lin	D12/111
D937,135	S	*	11/2021	Hu	12/111
D952,520	S	*	5/2022	Liu	D12/111
D960,053	S	*	8/2022	Chen	D12/111
D962,828	S	*	9/2022	Chen	D12/111
D964,218	S	*	9/2022	Piszkin	D12/111
D965,477	S	*	10/2022	Zhang	D12/111
D975,598	S	*	1/2023	Gray	D12/111

* cited by examiner

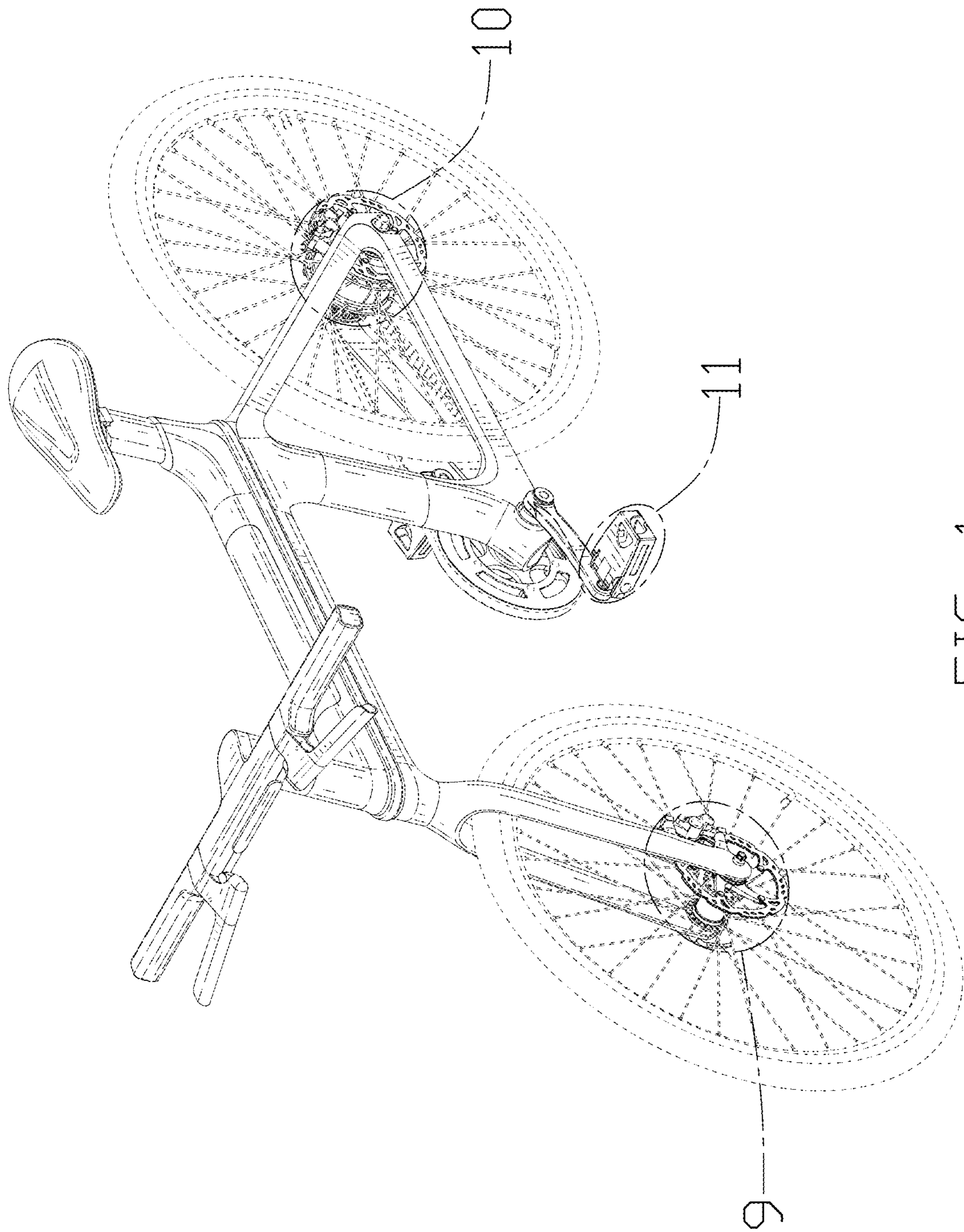


FIG. 1

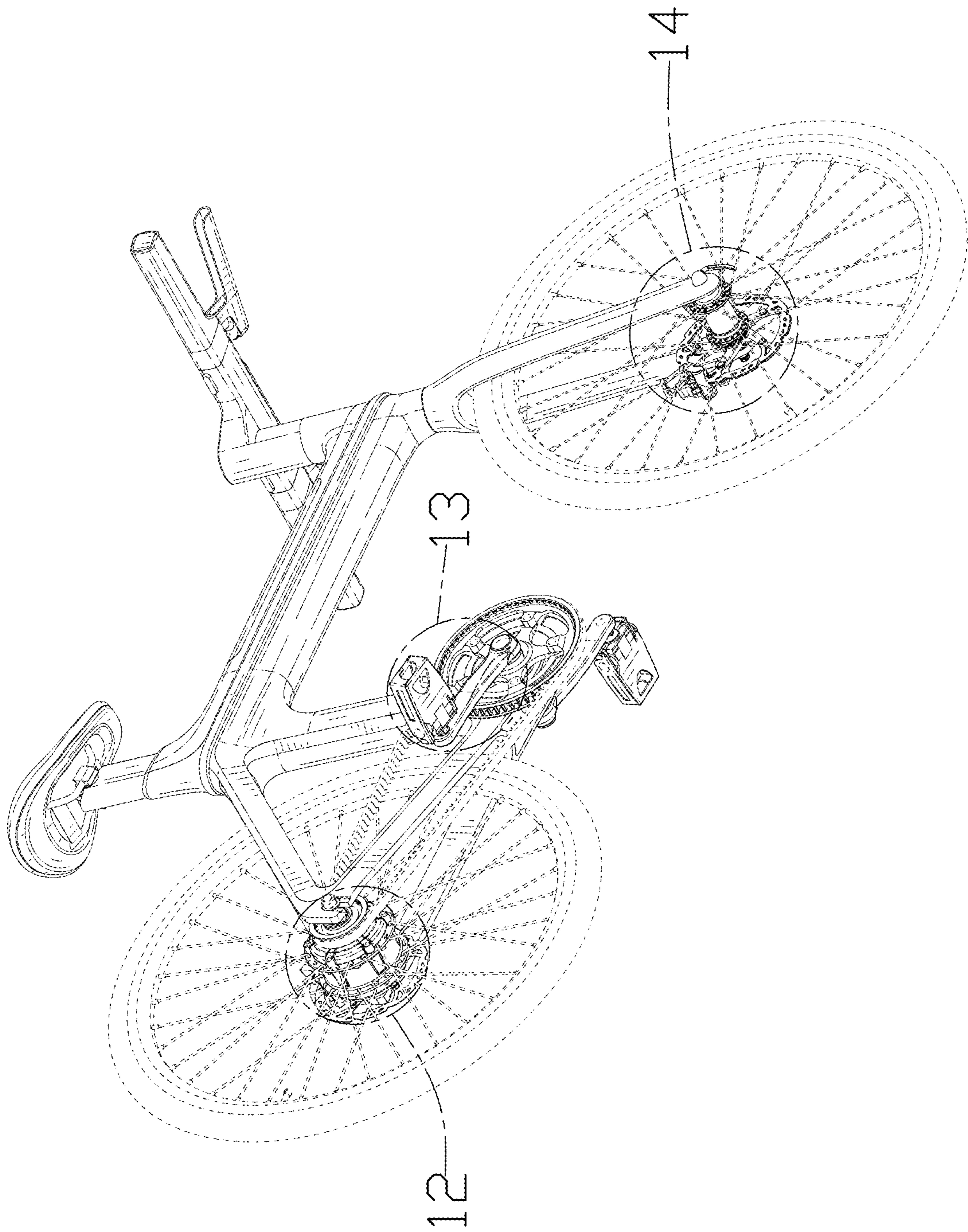


FIG. 2

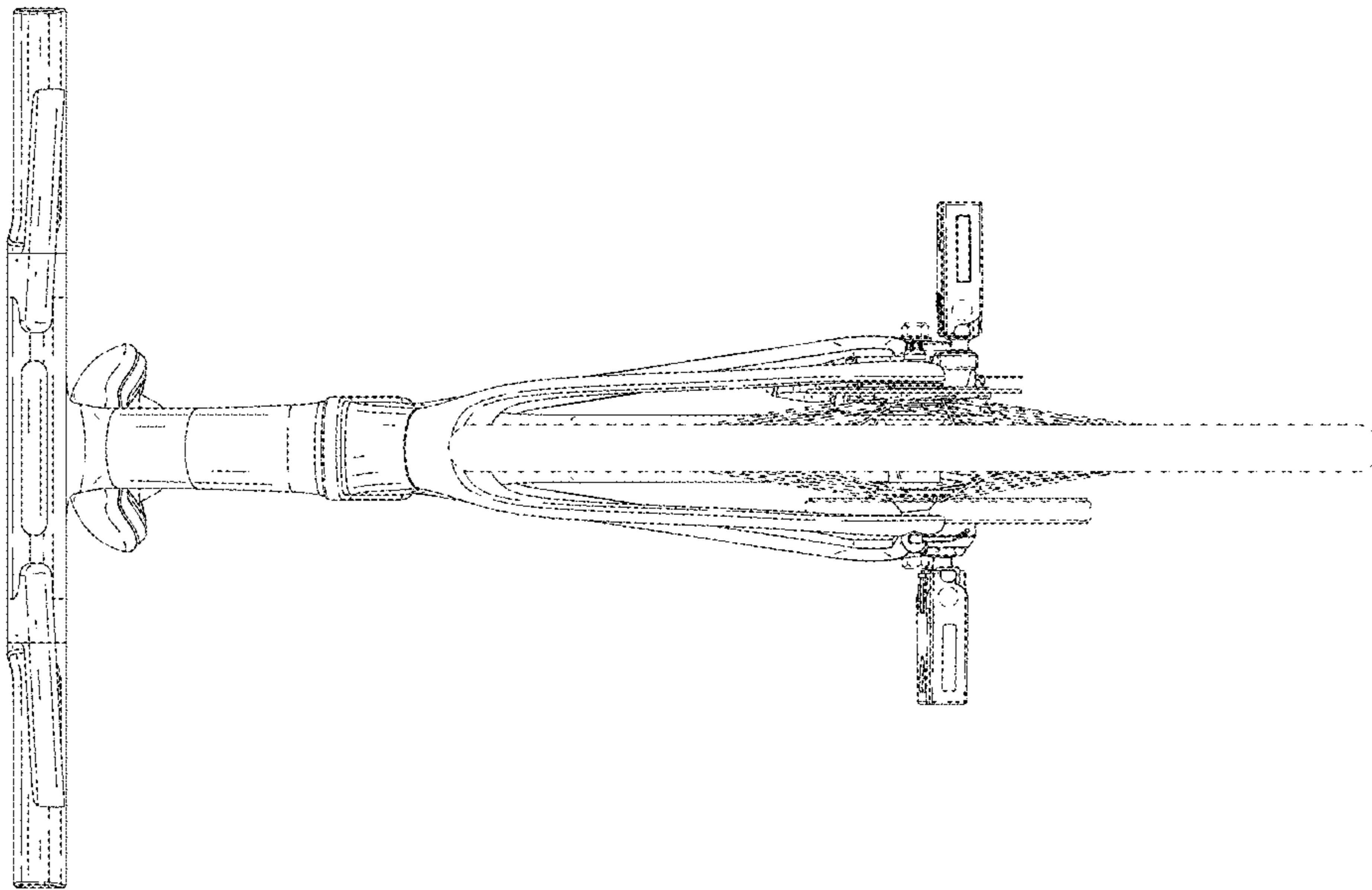


FIG. 3

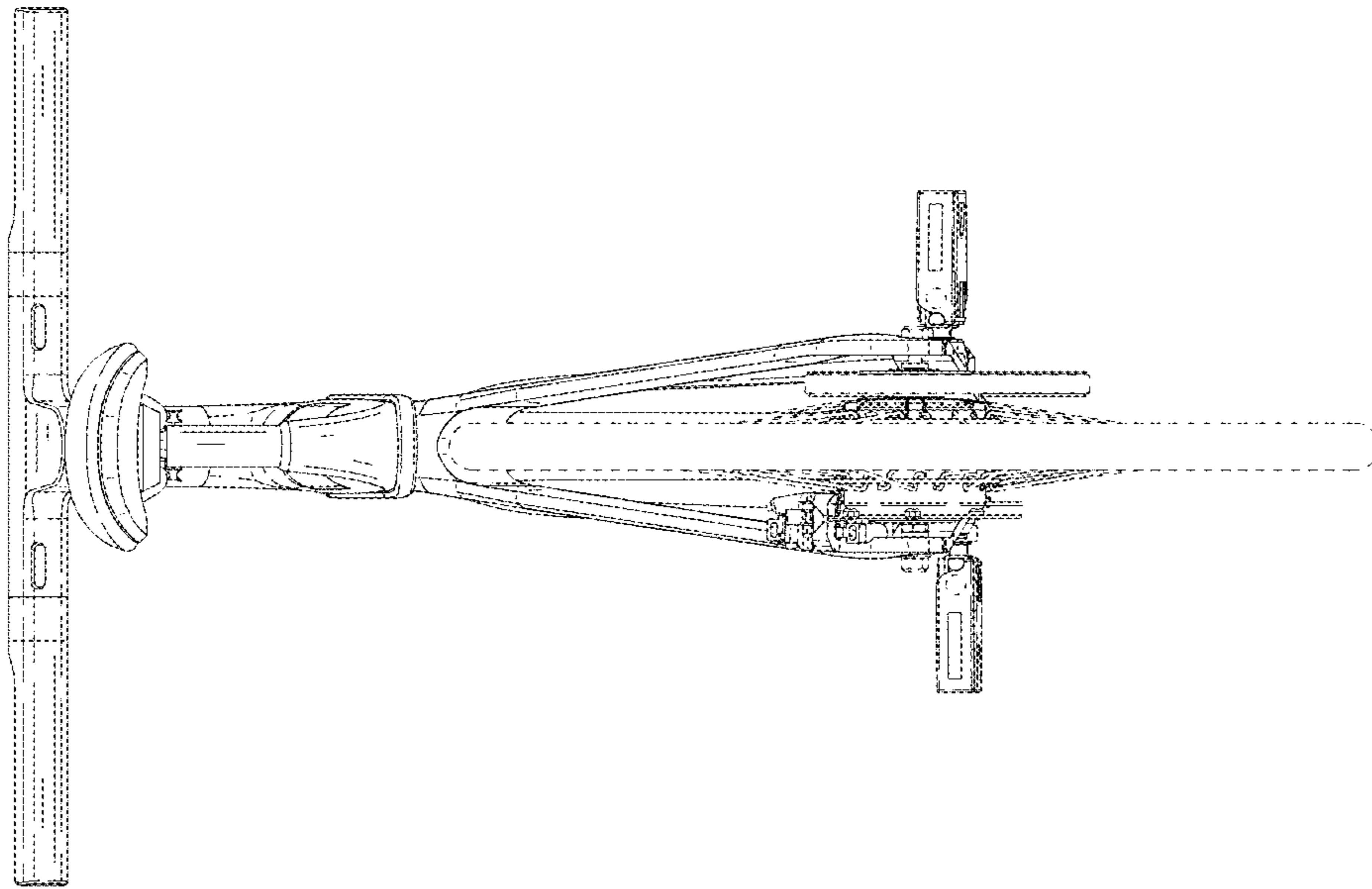


FIG. 4

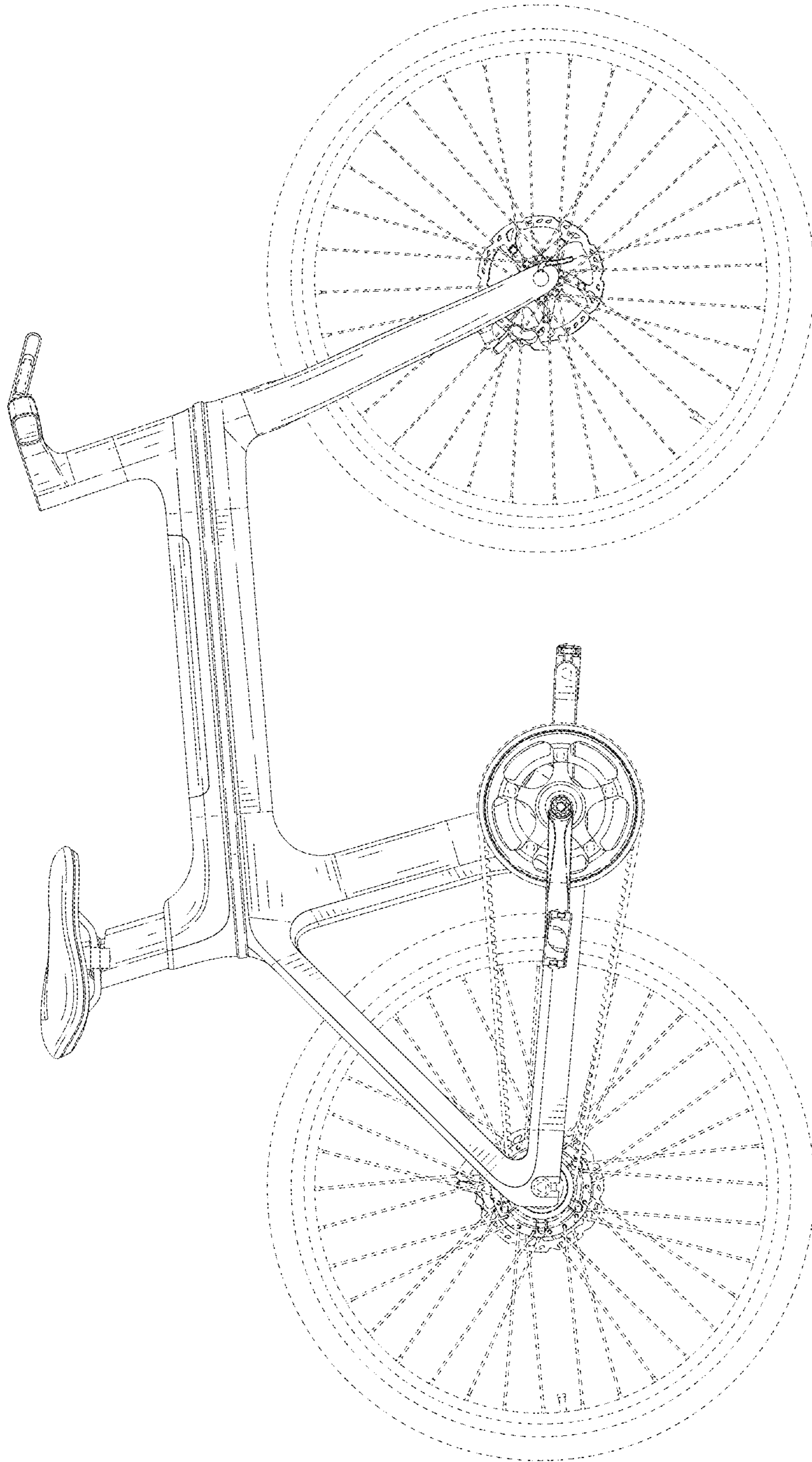


FIG. 5

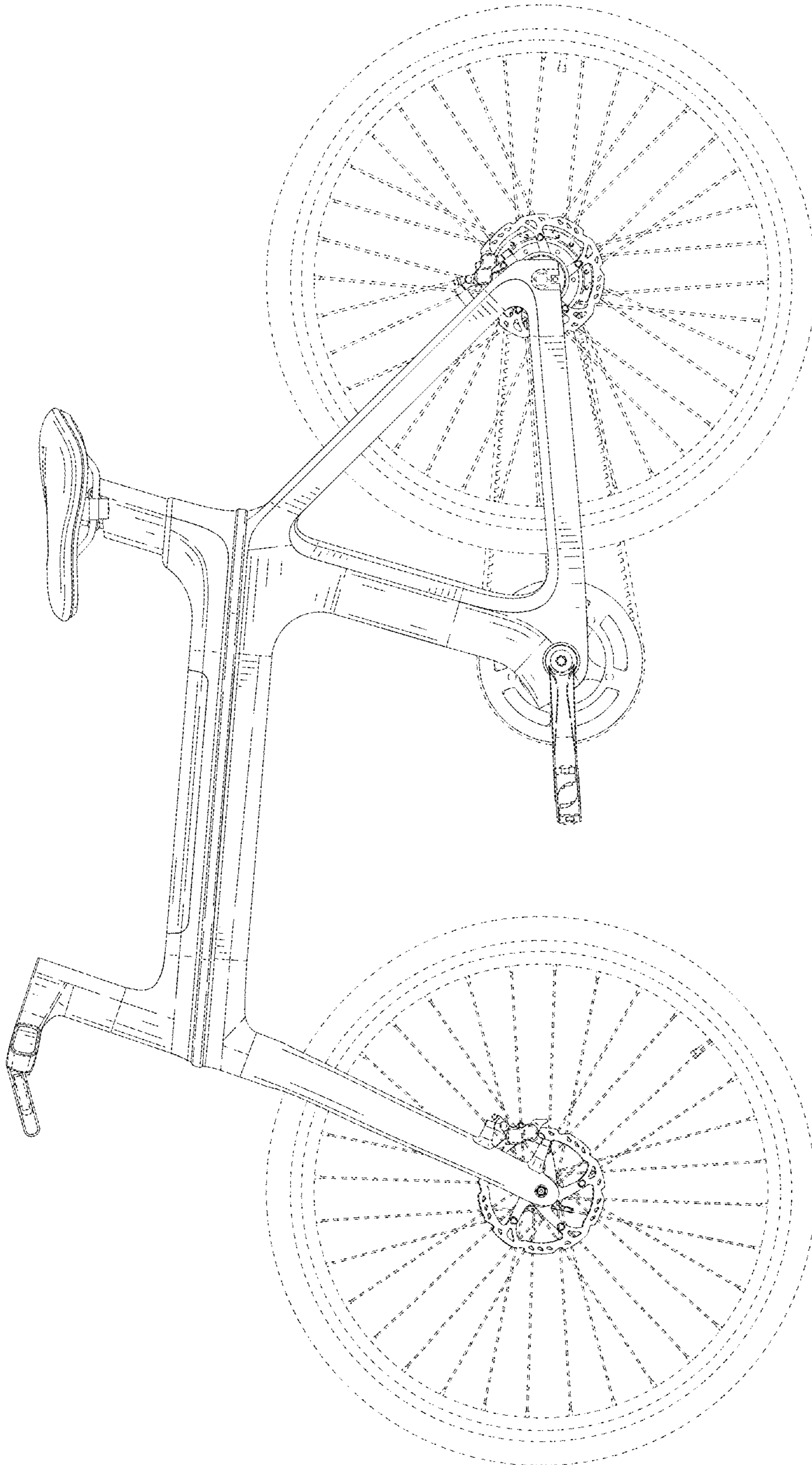


FIG. 6

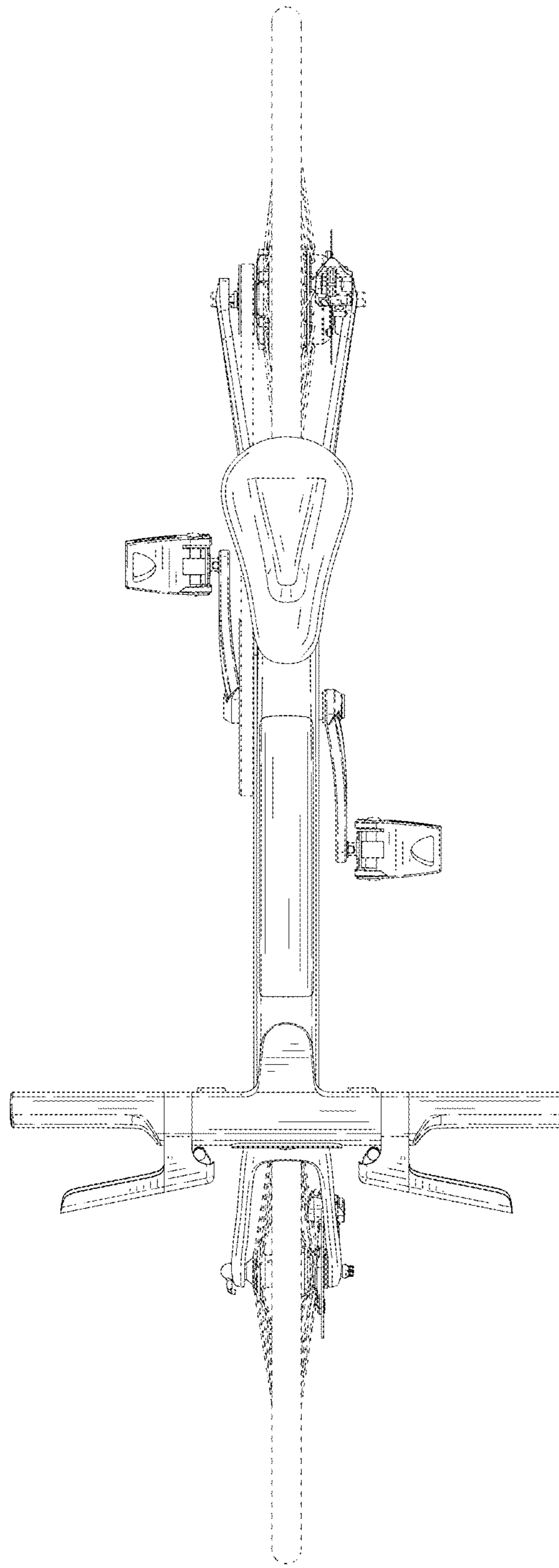


FIG. 7

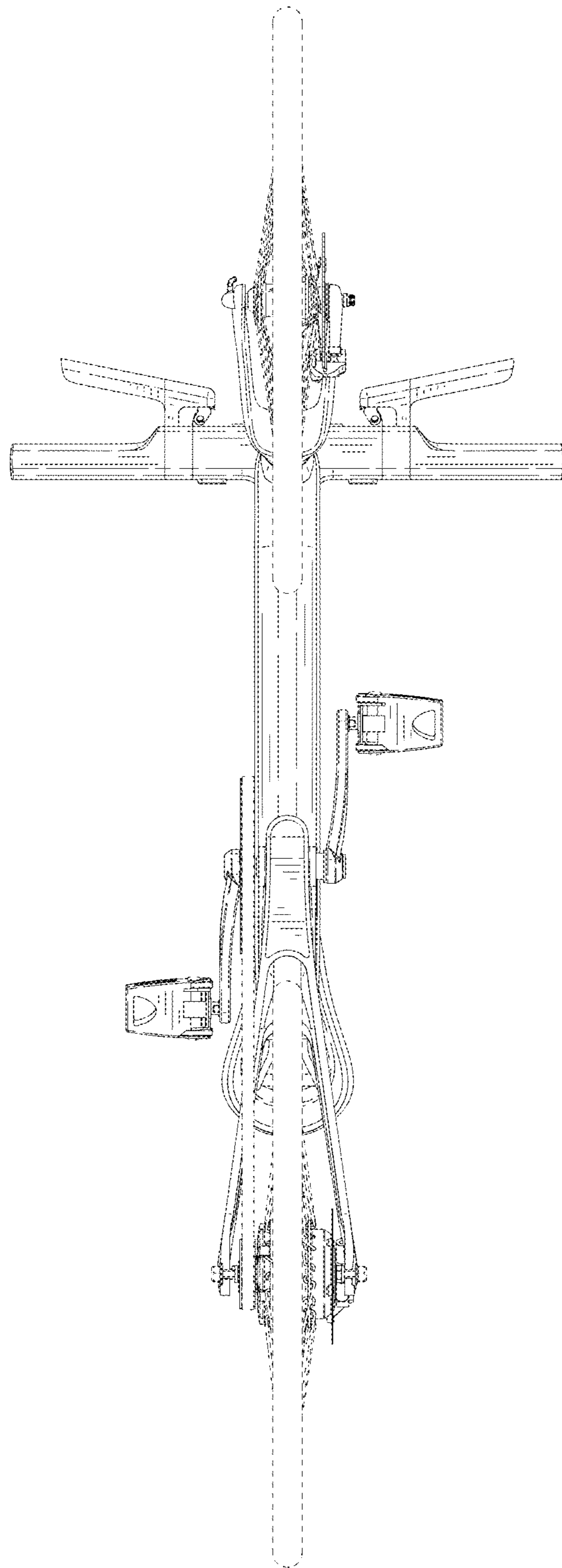


FIG. 8

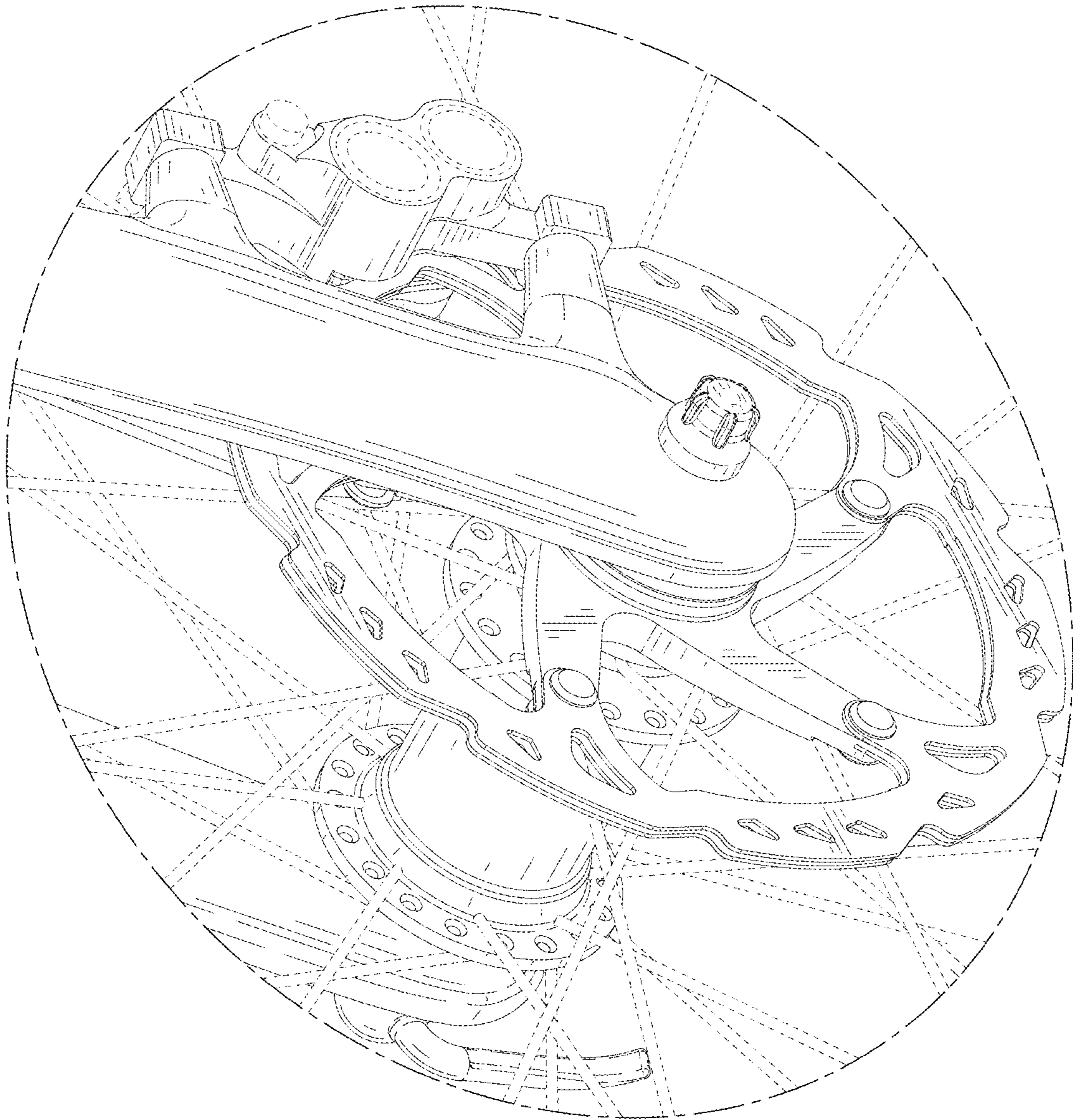


FIG. 9



FIG. 10

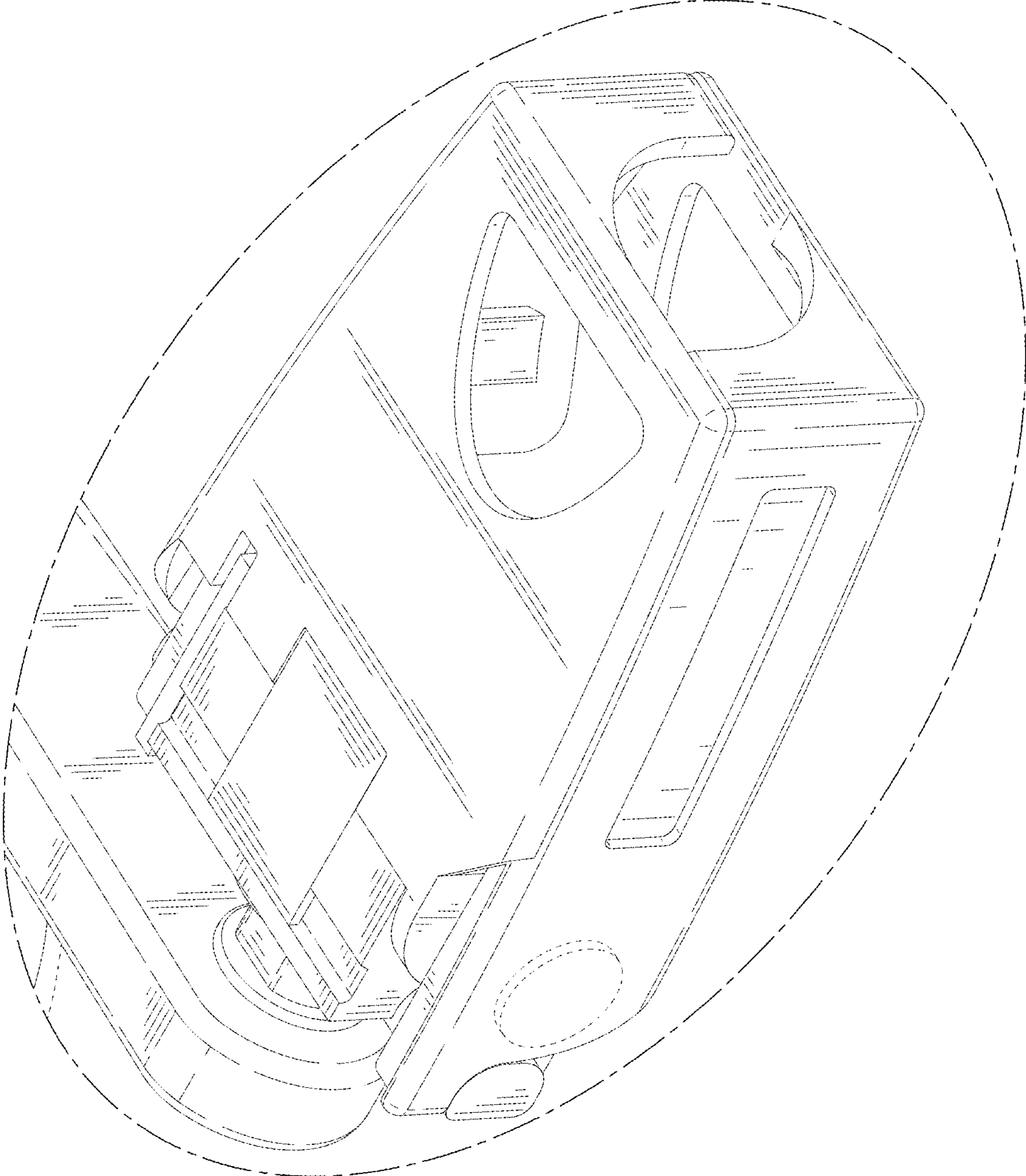


FIG. 11



FIG. 12

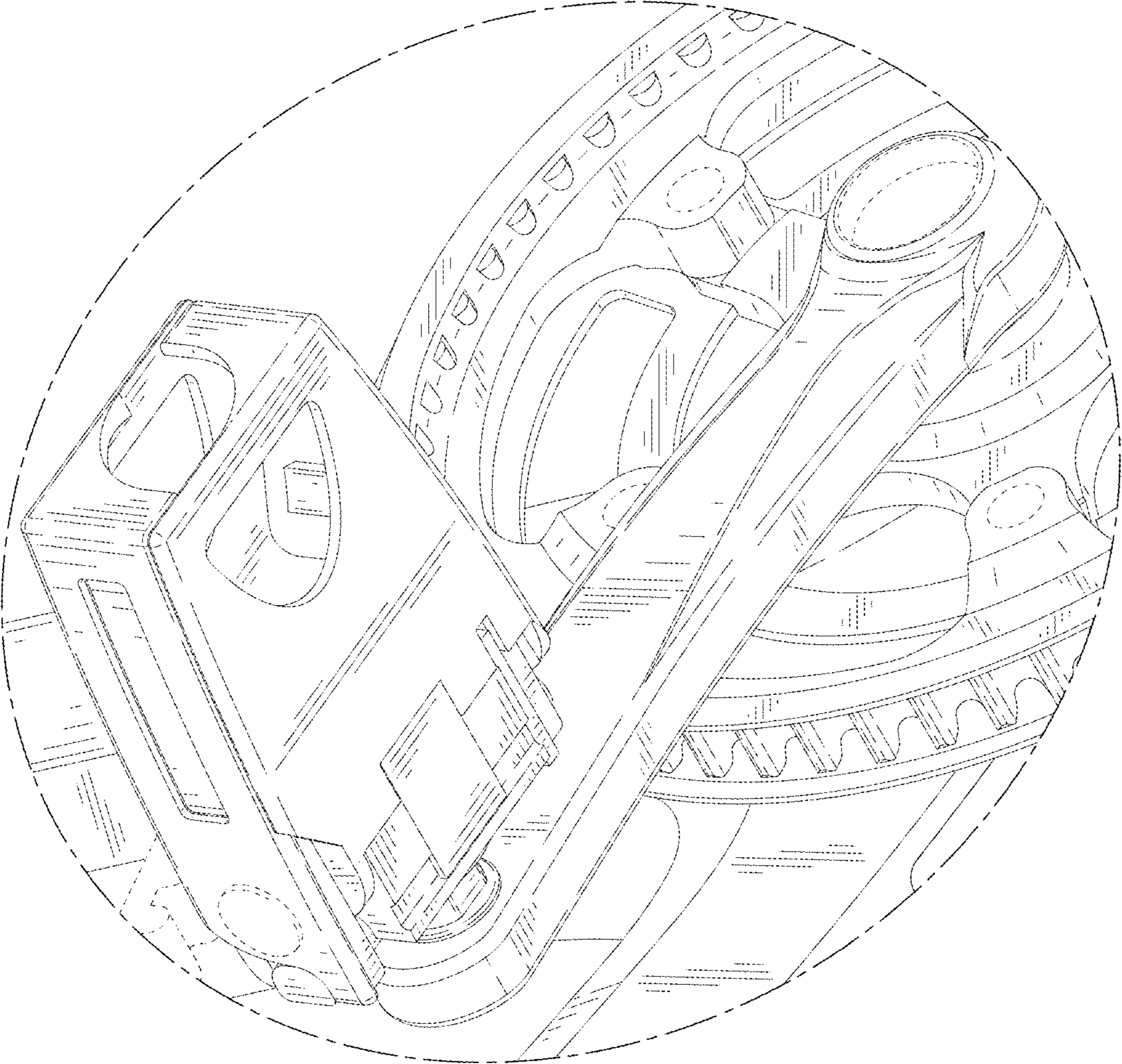


FIG. 13

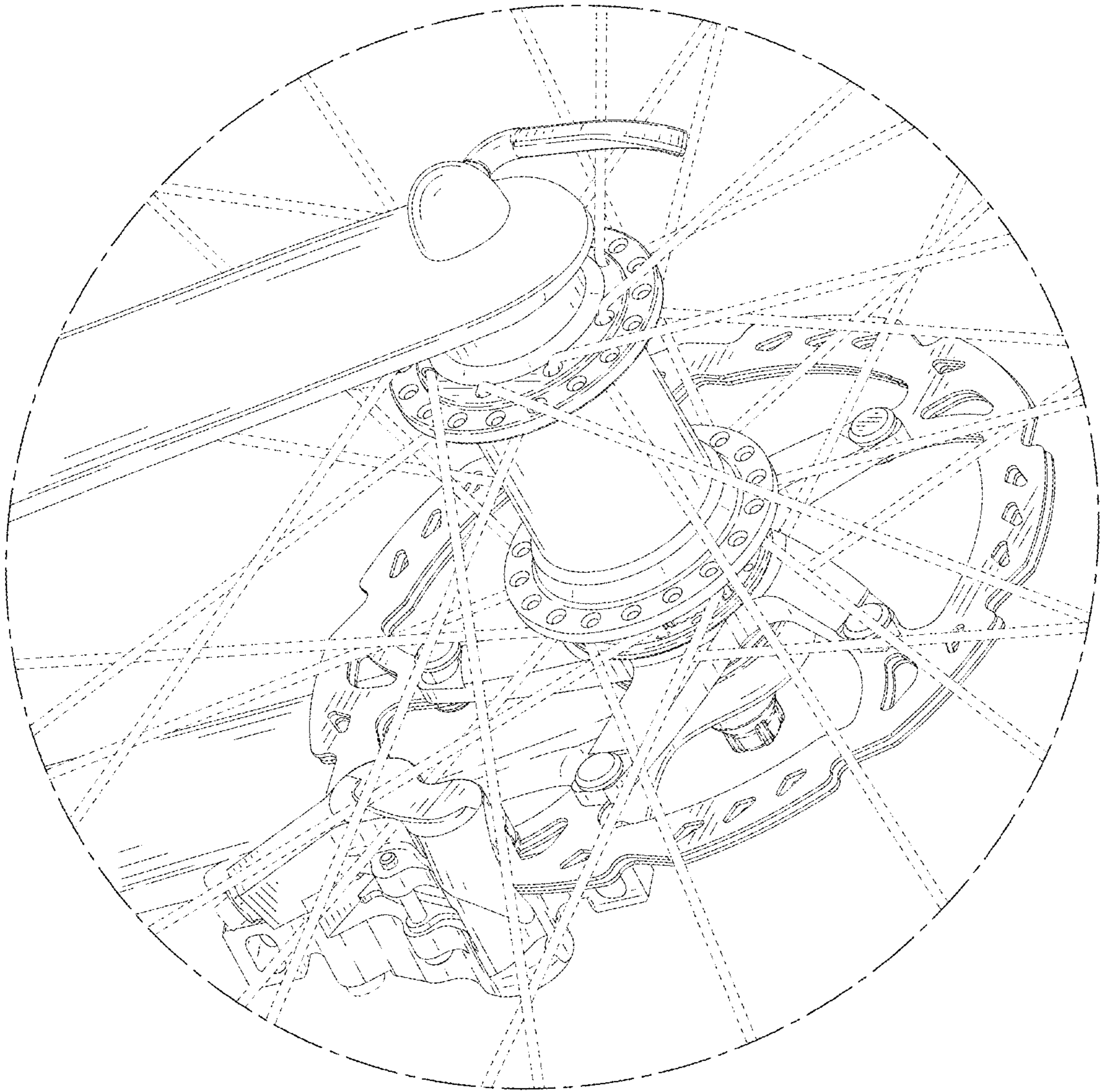


FIG. 14