



US00D981914S

(12) **United States Design Patent** (10) **Patent No.:** **US D981,914 S**
Xiong (45) **Date of Patent:** **** Mar. 28, 2023**

(54) **ELECTRIC BICYCLE**
(71) Applicant: **Hao Xiong**, Hong Kong (CN)
(72) Inventor: **Hao Xiong**, Hong Kong (CN)
(73) Assignee: **ENGWE INTELLIGENT TECHNOLOGY CO., LIMITED**, Hong Kong (CN)
(**) Term: **15 Years**
(21) Appl. No.: **29/806,067**
(22) Filed: **Aug. 31, 2021**
(51) **LOC (14) Cl.** **12-11**
(52) **U.S. Cl.**
USPC **D12/111**
(58) **Field of Classification Search**
USPC D12/111, 117; D21/412, 414, 419, D21/423-428, 431-435
CPC ... B62K 3/00; B62K 3/02; B62K 3/06; B62K 11/00; B62K 11/02; B62K 11/04; B62K 11/10; B62K 17/00; B62K 19/00; B62K 2202/00
See application file for complete search history.

(56) **References Cited**
U.S. PATENT DOCUMENTS
D465,437 S * 11/2002 van der Veer D12/111
D473,495 S * 4/2003 Niitsu D12/111
6,623,023 B2 * 9/2003 Niitsu B62K 15/008
280/278
D498,438 S * 11/2004 Ying D12/111
D833,916 S * 11/2018 Yu D12/111
D903,532 S * 12/2020 Ma D12/111
D925,404 S * 7/2021 Lin D12/111
D925,405 S * 7/2021 Lin D12/111
D945,934 S * 3/2022 Ischepp D12/111
D957,291 S * 7/2022 Deng D12/111
D958,008 S * 7/2022 Zeng D12/111
D960,052 S * 8/2022 Chen D12/111
D960,769 S * 8/2022 Chen D12/111

D967,735 S * 10/2022 Zhang D12/111
D971,084 S * 11/2022 Peng D12/111
2022/0332389 A1 * 10/2022 Braedt B62M 6/55
2023/0002005 A1 * 1/2023 Duggan B62M 9/06

OTHER PUBLICATIONS

“XP™ 3.0 Black.” Lectric Bikes., Nov. 1, 2022 [online], [retrieved on Feb. 12, 2023]. Retrieved from the Internet <URL: https://lectricebikes.com/products/xp-black>.*
“Lectric XP 3.0 Review | Electric Folding Fat Bike (2022).” YouTube., Dec. 2, 2022 [online], [retrieved on Feb. 12, 2023]. Retrieved from the Internet <URL: https://www.youtube.com/watch?v=w-ichydFHFU>.*
“Mars—Best Folding Ebike For All Terrain.” Heybike., Dec. 8, 2022 [online], [retrieved on Feb. 12, 2023]. Retrieved from the Internet <URL: https://www.heybike.com/products/heybike-mars-electric-bike>.*
“2023 Green Bike Electric Motion Classic HS 20” 36V Folding Electric Bike.” Upzy., Aug. 19, 2022 [online], [retrieved on Feb. 12, 2023]. Retrieved from the Internet <URL: https://www.upzy.com/products/green-bike-electric-motion-classic-hs-20-36v-folding-electric-bike>.*

* cited by examiner

Primary Examiner — Darlington Ly

(57) **CLAIM**
The ornamental design for an electric bicycle, as shown and described.

DESCRIPTION

FIG. 1 is a front, top perspective view of an electric bicycle showing my new design;
FIG. 2 is a rear, bottom perspective view thereof;
FIG. 3 is a front elevation view thereof;
FIG. 4 is a rear elevation view thereof;
FIG. 5 is a left side elevation view thereof;
FIG. 6 is a right side elevation view thereof;
FIG. 7 is a top plan view thereof; and,
FIG. 8 is a bottom plan view thereof.

1 Claim, 8 Drawing Sheets





FIG. 1



FIG. 2

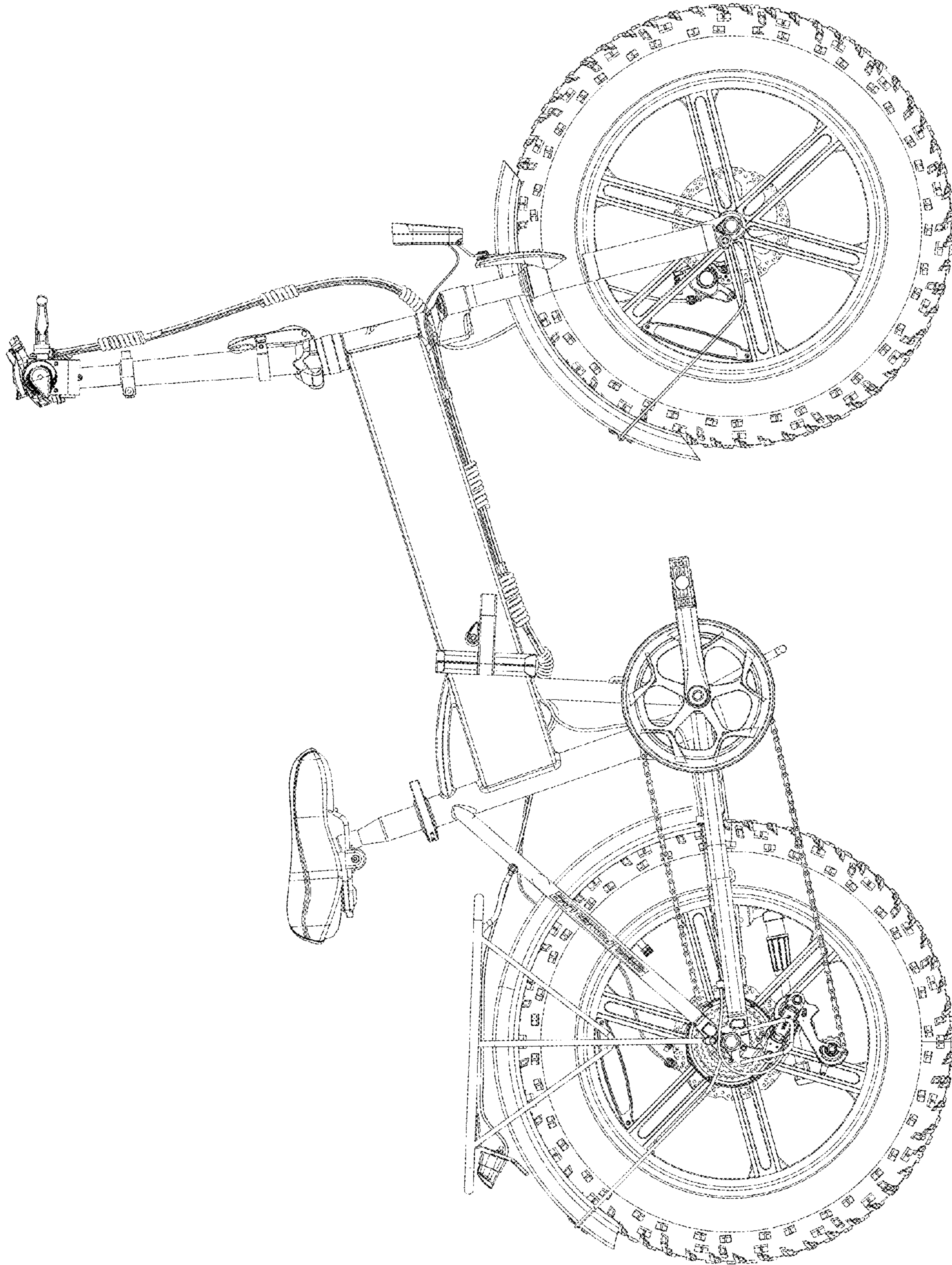


FIG. 3

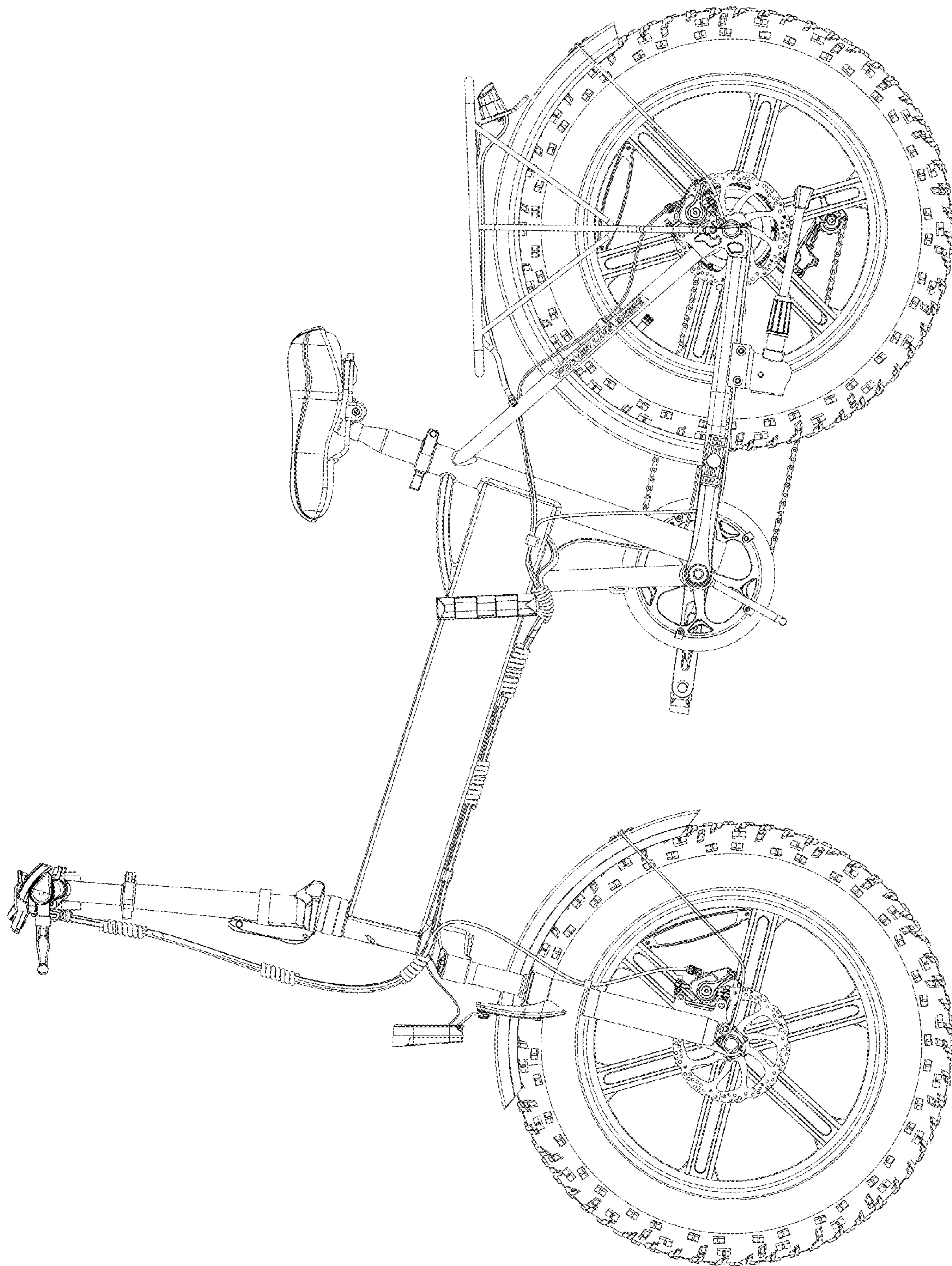


FIG. 4

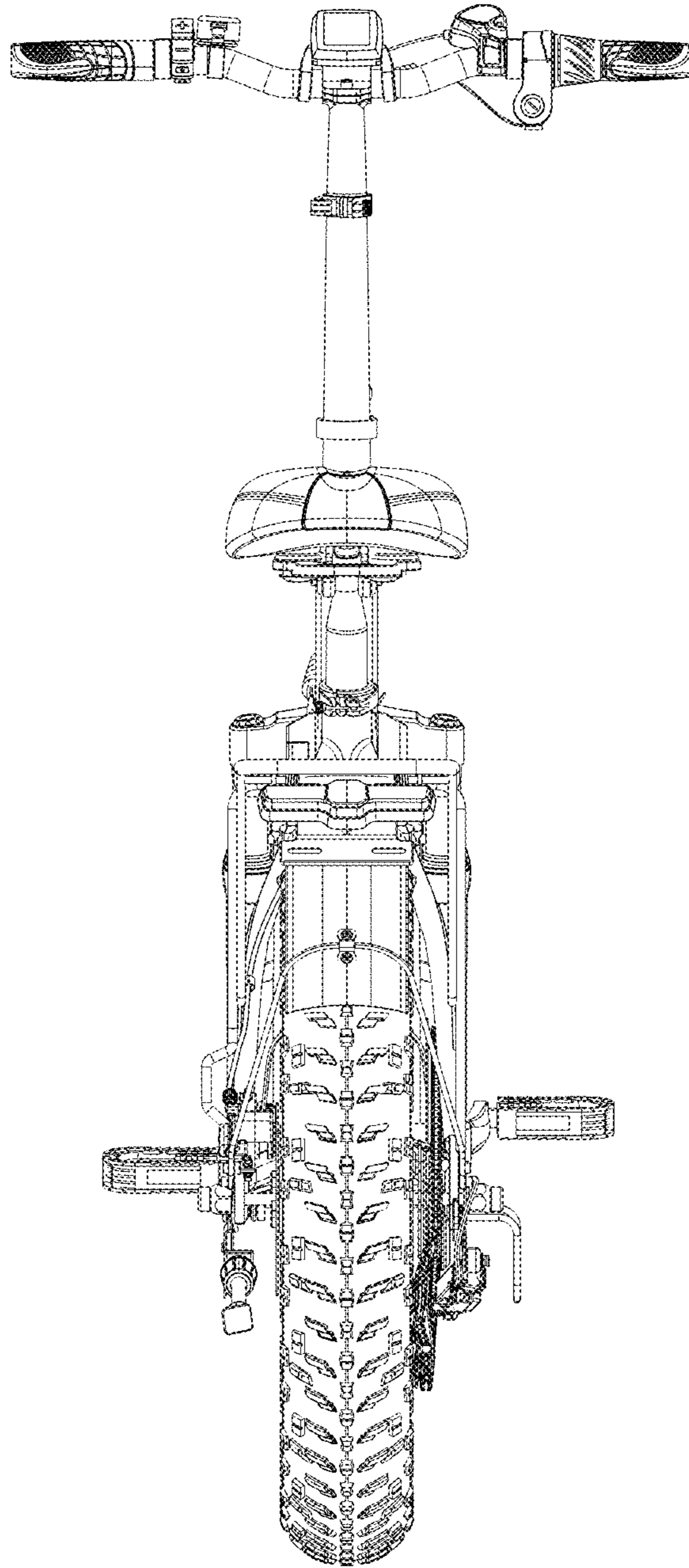


FIG. 5

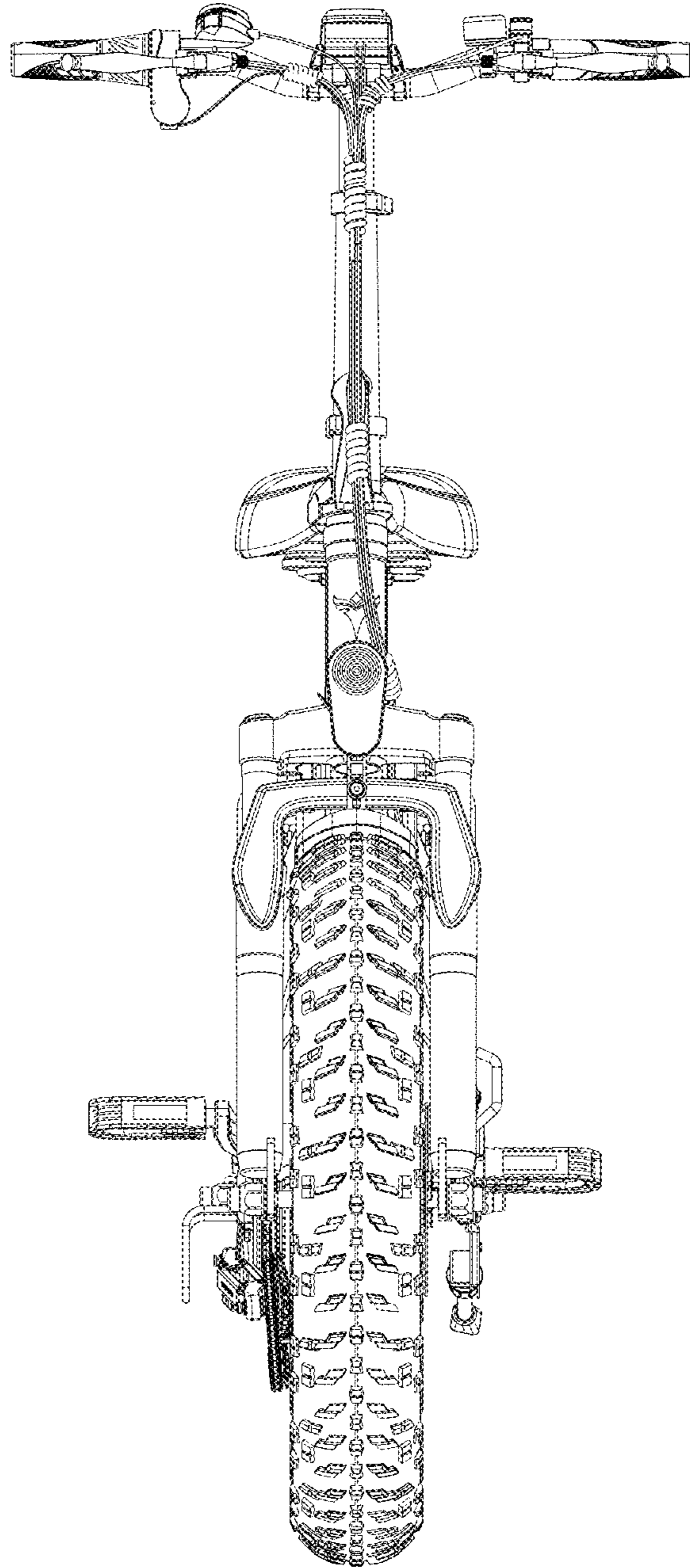


FIG. 6

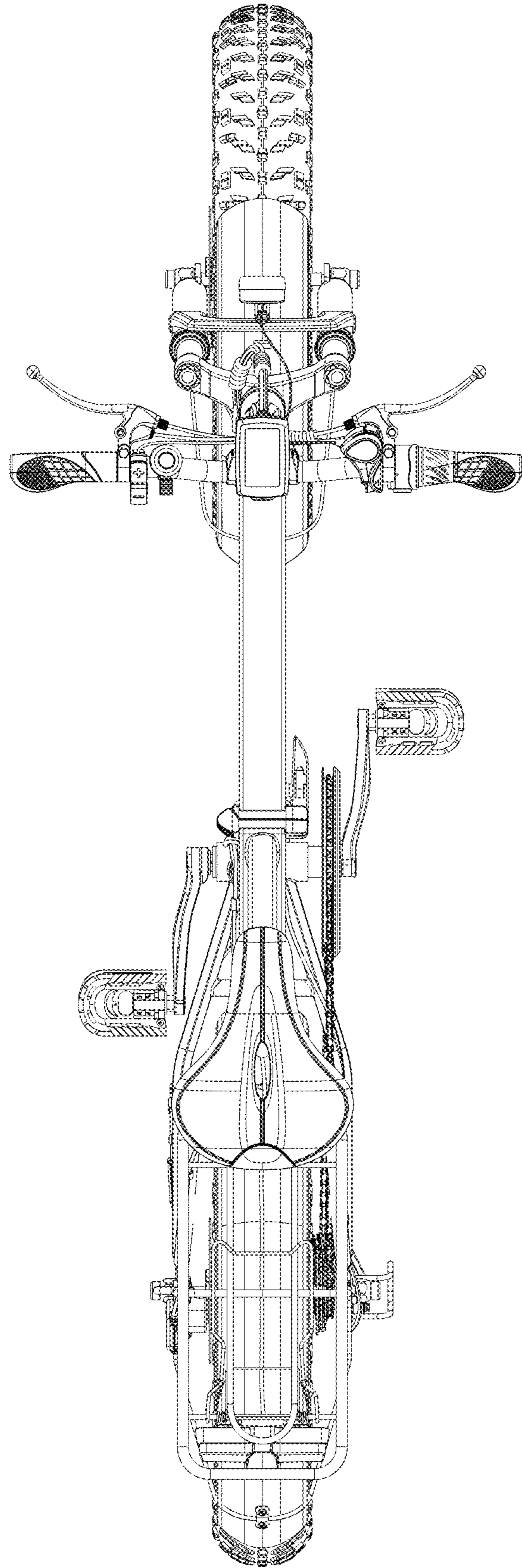


FIG. 7

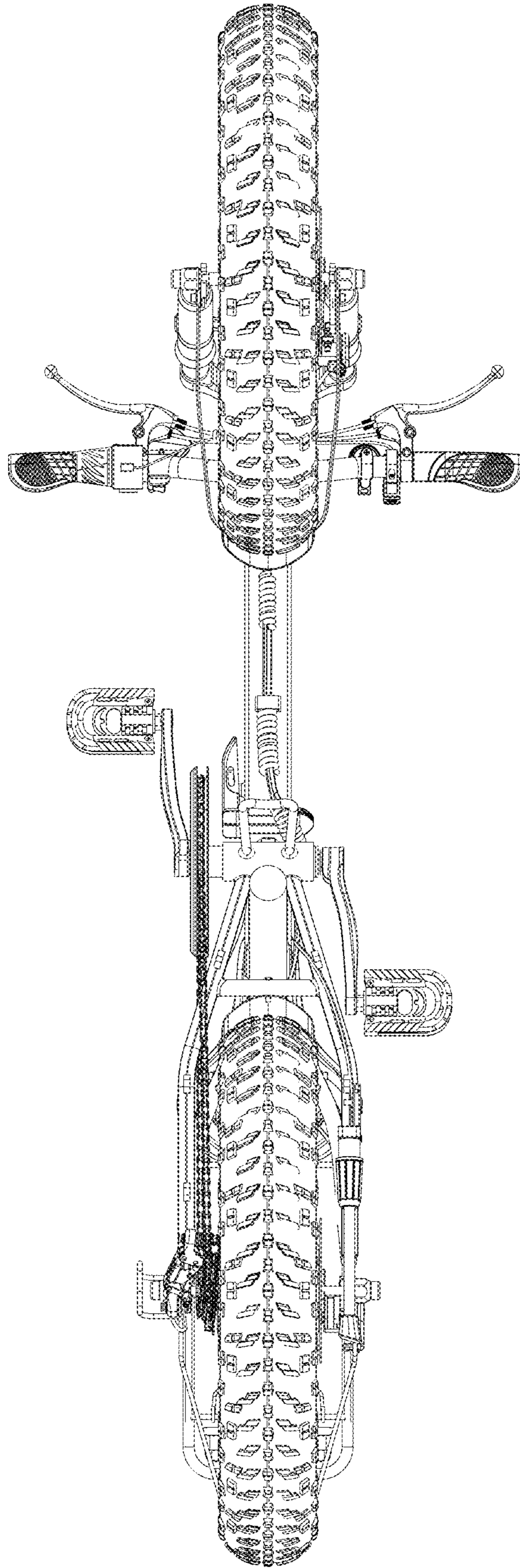


FIG. 8