



US00D981913S

(12) **United States Design Patent**
Panwar

(10) **Patent No.:** **US D981,913 S**

(45) **Date of Patent:** **** Mar. 28, 2023**

(54) **MOTORCYCLE**

(71) Applicants: **DEVOT LIMITED**, London (GB);
DEVOT MOTORS PRIVATE LIMITED, Jodhpur (IN)

(72) Inventor: **Varun Deo Panwar**, Basingstoke (GB)

(**) Term: **15 Years**

(21) Appl. No.: **35/513,707**

(22) Filed: **Jun. 29, 2021**

(80) **Hague Agreement Data**

Int. Filing Date: **Jun. 29, 2021**
Int. Reg. No.: **DM/218979**
Int. Reg. Date: **Jun. 29, 2021**
Int. Reg. Pub. Date: **Feb. 25, 2022**

(51) **LOC (14) Cl.** **12-11**

(52) **U.S. Cl.**
USPC **D12/110**

(58) **Field of Classification Search**
USPC D12/110, 111, 117; D21/432, 538
CPC B62K 11/00; B62K 11/02; B62K 11/04;
B62K 11/10; B62K 17/00; B62K 19/00;
B62K 2202/00
See application file for complete search history.

(56) **References Cited**

U.S. PATENT DOCUMENTS

D606,906 S	*	12/2009	Chosa	D12/110
D611,881 S	*	3/2010	Toriyama	D12/110
D643,341 S	*	8/2011	Uchiyama	D12/110
D647,825 S	*	11/2011	Shibuta	D12/110
D670,204 S	*	11/2012	Yasuhara	D12/110
D686,538 S	*	7/2013	Nagao	D12/110
D688,982 S	*	9/2013	Oyanagi	D12/110
D689,406 S	*	9/2013	Yasuhara	D12/110
D755,084 S	*	5/2016	Sakata	D12/110
D755,680 S	*	5/2016	Yashuhara	D12/110
D755,681 S	*	5/2016	Martin	D12/110
D755,682 S	*	5/2016	Hahn-Woernle	D12/110

D756,268 S	*	5/2016	Yamada	D12/110
D758,923 S	*	6/2016	Yamada	D12/110
D758,924 S	*	6/2016	Tamura	D12/110
D782,368 S	*	3/2017	Fujimoto	D12/110
D795,746 S	*	8/2017	Akita	D12/110
D797,002 S	*	9/2017	Toyama	D12/110
D797,608 S	*	9/2017	Tachibana	D12/110

(Continued)

OTHER PUBLICATIONS

“2022 Yamaha Tracer G GT.” Yamaha., Nov. 21, 2021 [online], [retrieved on Apr. 5, 2022]. Retrieved from the Internet <URL: https://cdn2.yamaha-motor.eu/prod/product-assets/2021/MT09TRGT/Factsheets/2021-MT09TRGT_en.pdf>.*

(Continued)

Primary Examiner — Darlington Ly

(57) **CLAIM**

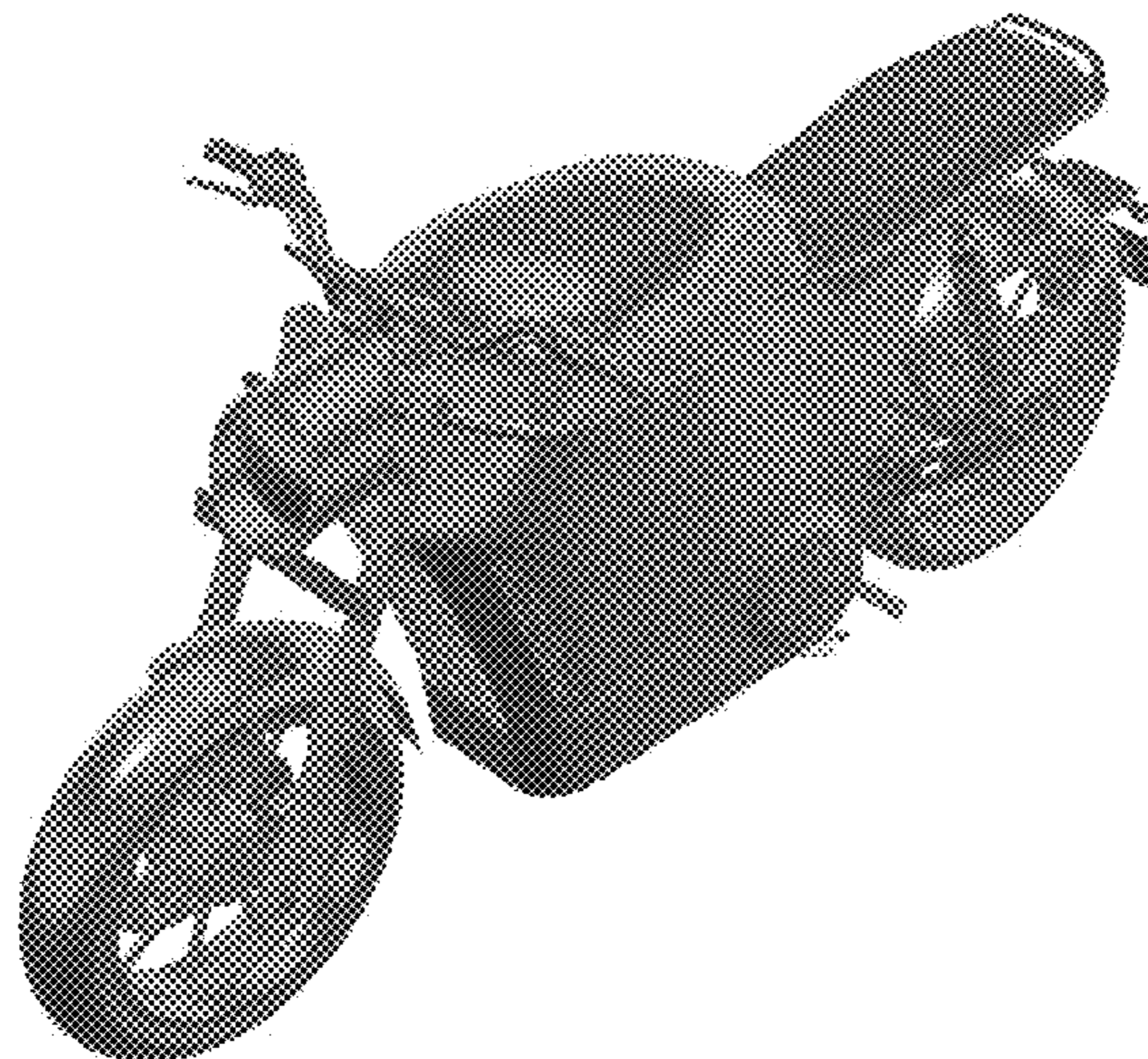
The ornamental design for a motorcycle, as shown and described.

DESCRIPTION

The patent or application file contains at least one drawing executed in color. Copies of this patent or patent application publication with color drawing(s) will be provided by the Office upon request and payment of the necessary fee.

1. Motorcycle
- 1.1 is a left side elevation view of a motorcycle embodying our new design;
- 1.2 is a right side elevation view thereof;
- 1.3 is a rear elevation view thereof;
- 1.4 is a front elevation view thereof;
- 1.5 is a top, front, and left side perspective view thereof;
- 1.6 is a top, front, and right side perspective view thereof;
- 1.7 is a top, rear, and left side perspective view thereof;
- 1.8 is a top, rear, and right side perspective view thereof;
- 1.9 is a top plan view thereof; and
- 1.10 is a bottom plan view thereof.

1 Claim, 10 Drawing Sheets
(10 of 10 Drawing Sheet(s) Filed in Color)



(56)

References Cited

U.S. PATENT DOCUMENTS

D801,230	S	*	10/2017	Endo	D12/110
D807,231	S	*	1/2018	Petersson	D12/110
D815,566	S	*	4/2018	Oyanagi	D12/110
D817,230	S	*	5/2018	Tamura	D12/110
D821,269	S	*	6/2018	Sasanami	D12/110
D847,031	S	*	4/2019	Kobayashi	D12/110
D849,602	S	*	5/2019	Oyanagi	D12/110
D871,976	S	*	1/2020	Martin	D12/110
D874,985	S	*	2/2020	Shigihara	D12/110
D875,615	S	*	2/2020	Martin	D12/110
D875,616	S	*	2/2020	Martin	D12/110
D875,617	S	*	2/2020	Nagase	D12/110
D876,990	S	*	3/2020	Yoshitomi	D12/110
D884,562	S	*	5/2020	Usami	D12/110
D902,083	S	*	11/2020	Arru	D12/110
D911,223	S	*	2/2021	Kinoshita	D12/110

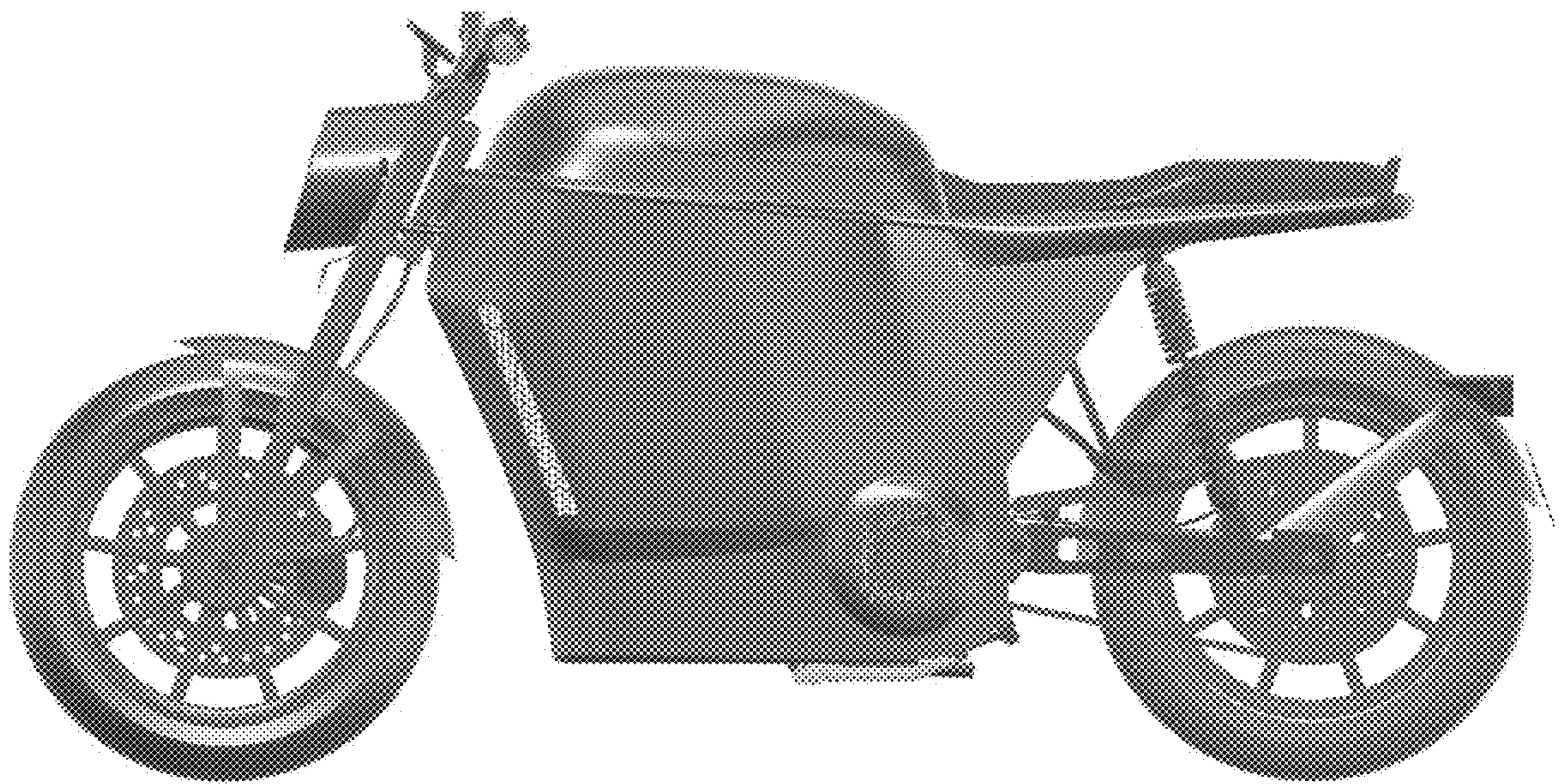
OTHER PUBLICATIONS

Jensen Beeler. "The 2021 Kawasaki Ninja ZX-10RR—\$29,000 & Only 500 Will Be Made." *Asphalt & Rubber*, Nov. 23, 2020 [online], [retrieved on Apr. 5, 2022]. Retrieved from the Internet <URL: <https://www.asphaltandrubber.com/bikes/2021-kawasaki-ninja-zx-10rr/>>.*

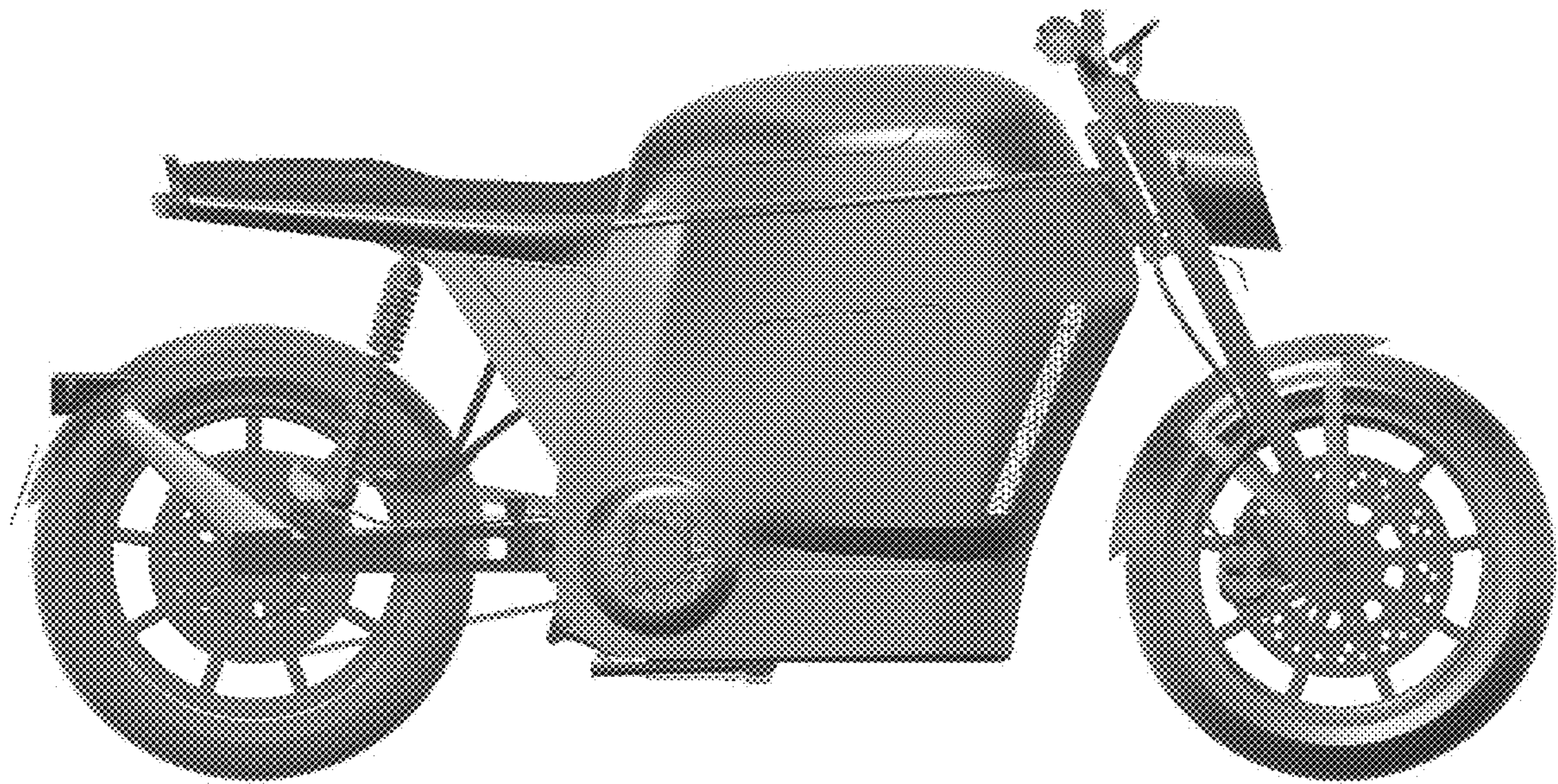
Greg Drevenstedt. "2021 Yamaha Tracer 9 GT | Road Test Review." *Rider Motorcycling at its best*, Jan. 5, 2022 [online], [retrieved on Apr. 5, 2022]. Retrieved from the Internet <URL: <https://ridermagazine.com/2022/01/05/2021-yamaha-tracer-9-gt-road-test-review/>>.*

* cited by examiner

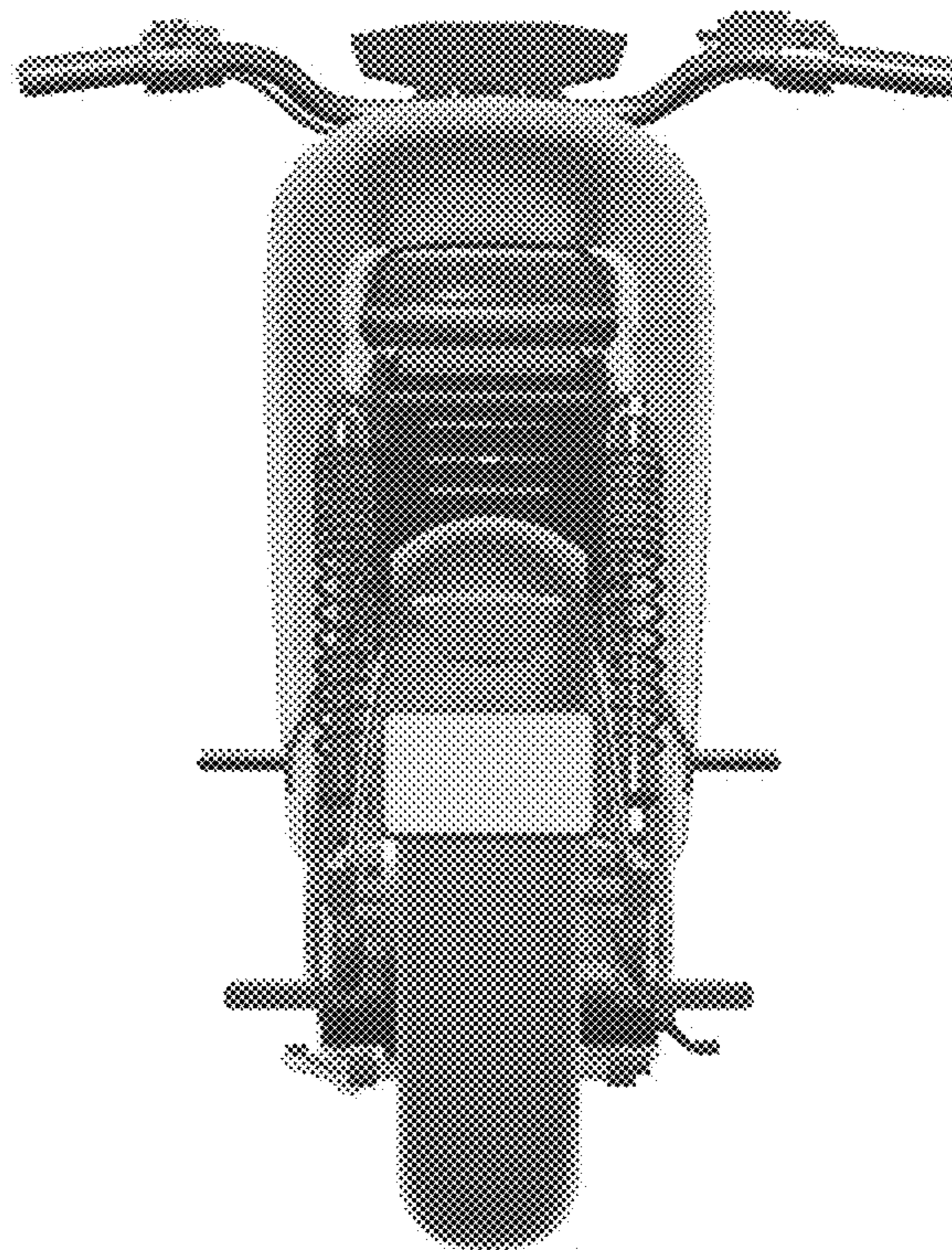
1.1



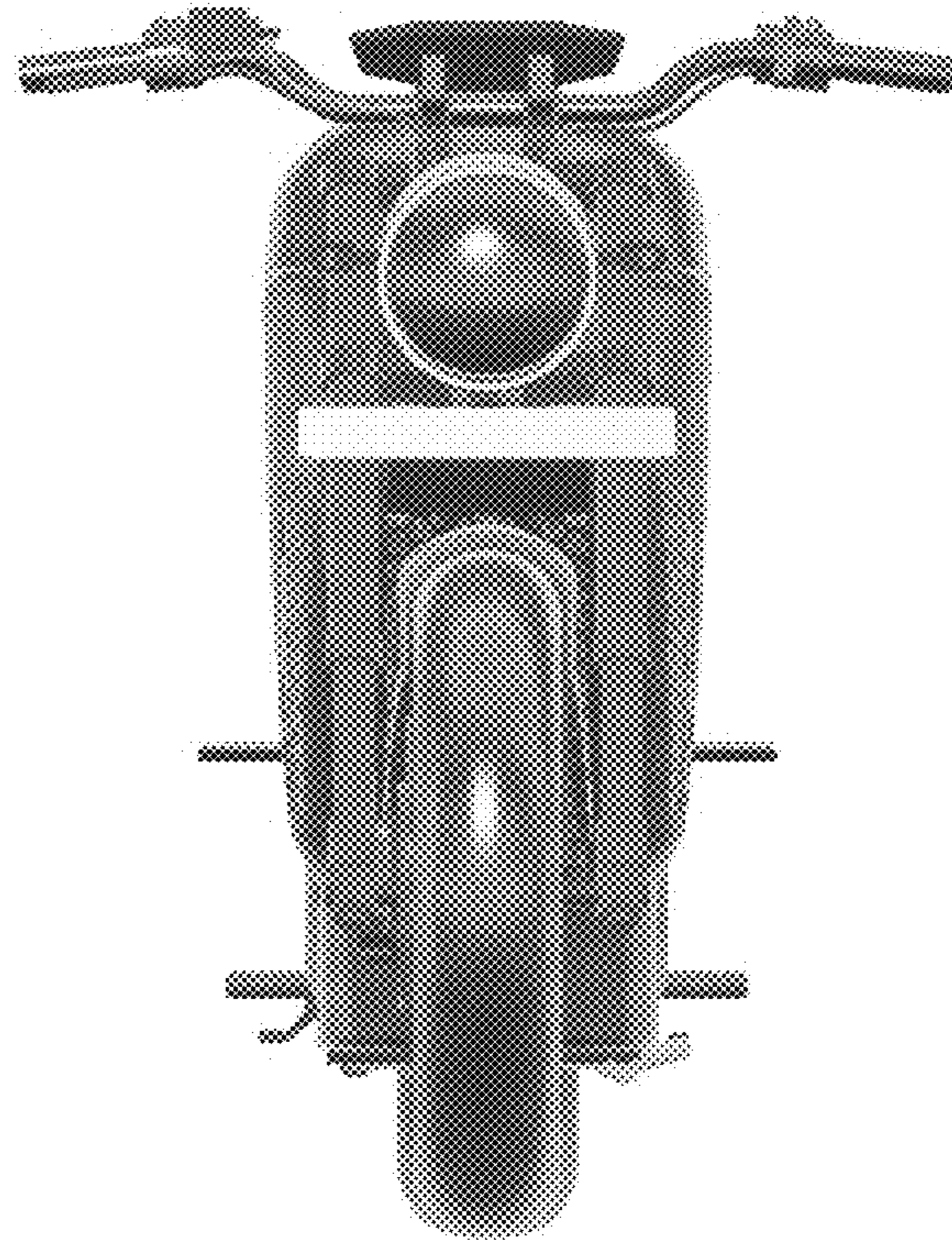
1.2



1.3



1.4



1.5



1.6



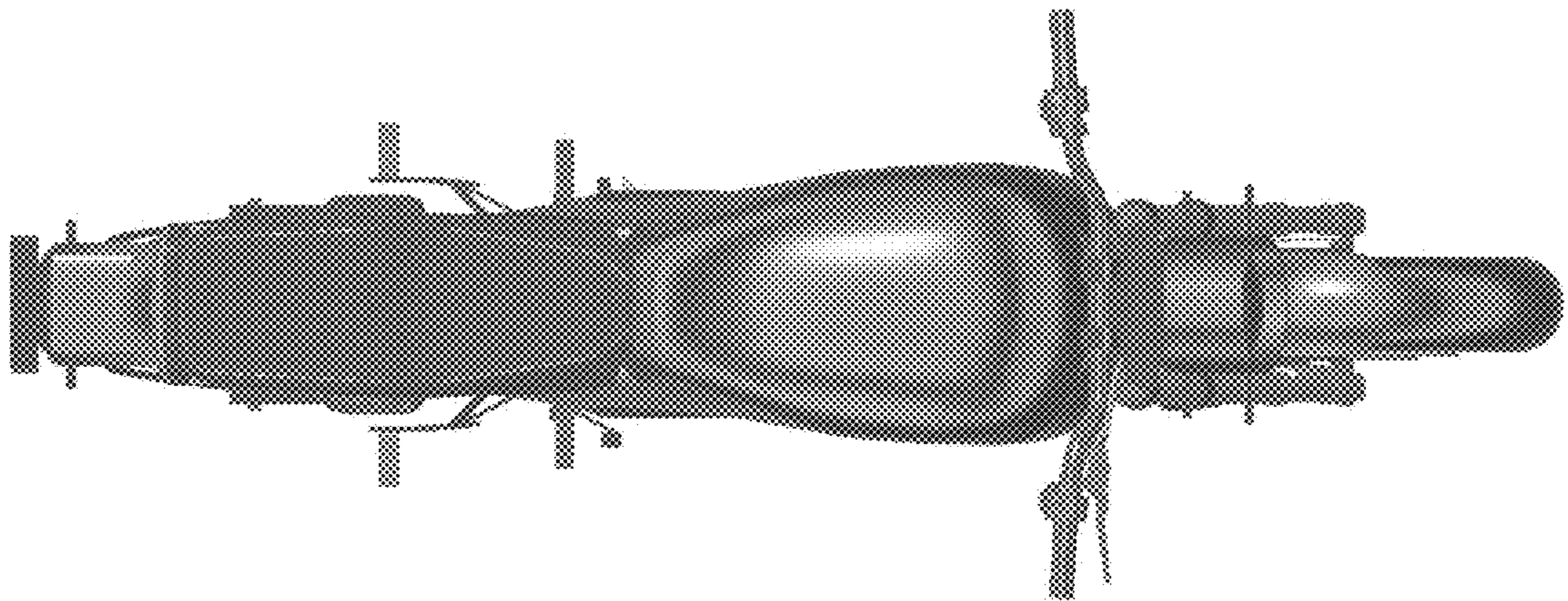
1.7



1.8



1.9



1.10

