



US00D981908S

(12) **United States Design Patent** (10) **Patent No.:** **US D981,908 S**
Wu (45) **Date of Patent:** **** Mar. 28, 2023**

(54) **DRONE**

FOREIGN PATENT DOCUMENTS

(71) Applicant: **Yuqin Wu**, Guangdong (CN)

WO WO-2015135951 A1 * 9/2015 A63H 27/12

(72) Inventor: **Yuqin Wu**, Guangdong (CN)

OTHER PUBLICATIONS

(73) Assignee: **Shantou Flying Technology Inc.**,
Guangdong (CN)

“The Drone Zone Mini LED Voyager Explorer Quadcopter Night Flyer For Beginners—Blue” walmart.com, post Published (unavailable). Retrieved Oct. 21, 2022. Available online at URL:https://www.walmart.com/ip/The-Drone-Zone-Mini-LED-Voyager-Explorer-Quadcopter-Night-Flyer-For-Beginners-Blue/9852 (Year: 2022).*
“TEMI UFO LED Mini Drone for Kids—Remote Control Drone, 360 Flips, 3 Speeds, Propeller Full Protect and 2” amazon.com, post Published Oct. 18, 2021. Retrieved Oct. 21, 2022. Available online at URL:https://www.amazon.com/TEMI-UFO-Mini-Drone-Kids/dp/B09JPKJLFN/ref=pd_lpo_2?pd_ (Year: 2021).*

(**) Term: **15 Years**

* cited by examiner

(21) Appl. No.: **29/752,102**

(22) Filed: **Sep. 24, 2020**

(51) **LOC (14) Cl.** **12-06**

(52) **U.S. Cl.**
USPC **D12/16.1; D21/443; D21/444**

(58) **Field of Classification Search**
USPC **D12/16.1, 1-4, 345, 326, 319; D21/443, D21/444, 446-454**
CPC **B64C 27/22; B64C 29/00**
See application file for complete search history.

Primary Examiner — Christian P. McLean
Assistant Examiner — Jessica Lynn Devilbiss

(56) **References Cited**

(57) **CLAIM**

U.S. PATENT DOCUMENTS

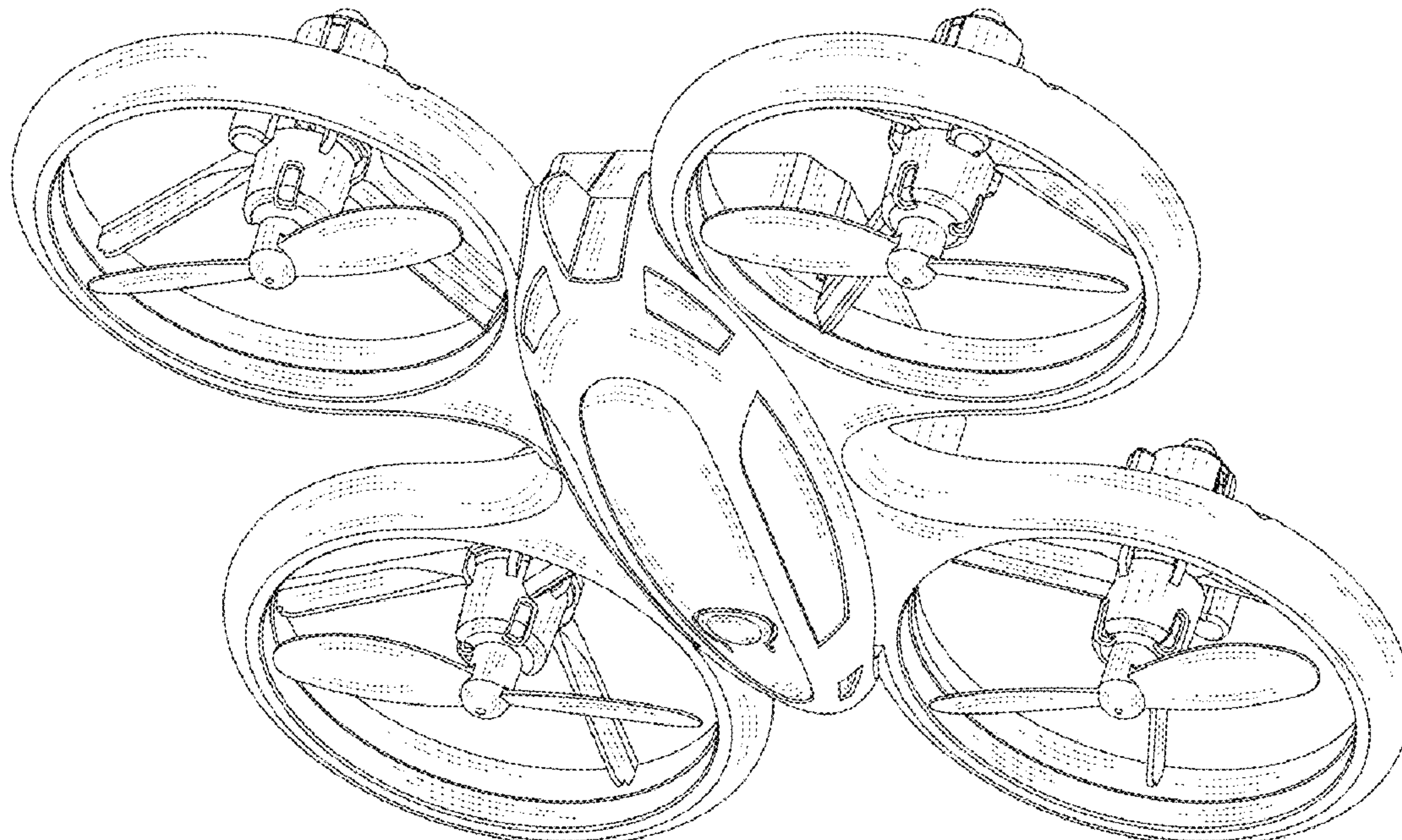
The ornamental design for a drone, as shown and described.

D648,809 S *	11/2011	Seydoux	D21/441
D659,771 S *	5/2012	Seydoux	D21/441
D708,272 S *	7/2014	Schmelter	D12/330
D779,595 S *	2/2017	Xiao	D21/441
D789,248 S *	6/2017	Ketcher	D12/16.1
D816,581 S *	5/2018	Zhao	D12/328
D867,470 S *	11/2019	Haley	D12/328
D875,023 S *	2/2020	Lee	D12/328
D894,790 S *	9/2020	Chen	D12/16.1
D938,860 S *	12/2021	Bao	D12/16.1
2019/0351999 A1 *	11/2019	Stamps	B64D 27/10
2020/0023701 A1 *	1/2020	Salem	B60F 5/02
2020/0407053 A1 *	12/2020	Song	B64C 1/34
2021/0053676 A1 *	2/2021	Brand	B64F 3/02

DESCRIPTION

FIG. 1 is a perspective view of a drone showing my new design;
FIG. 2 is a front elevational view thereof;
FIG. 3 is a rear elevational view thereof;
FIG. 4 is a left side elevational view thereof;
FIG. 5 is a right side elevational view thereof;
FIG. 6 is a top plan view thereof; and,
FIG. 7 is a bottom plan view thereof.

1 Claim, 7 Drawing Sheets



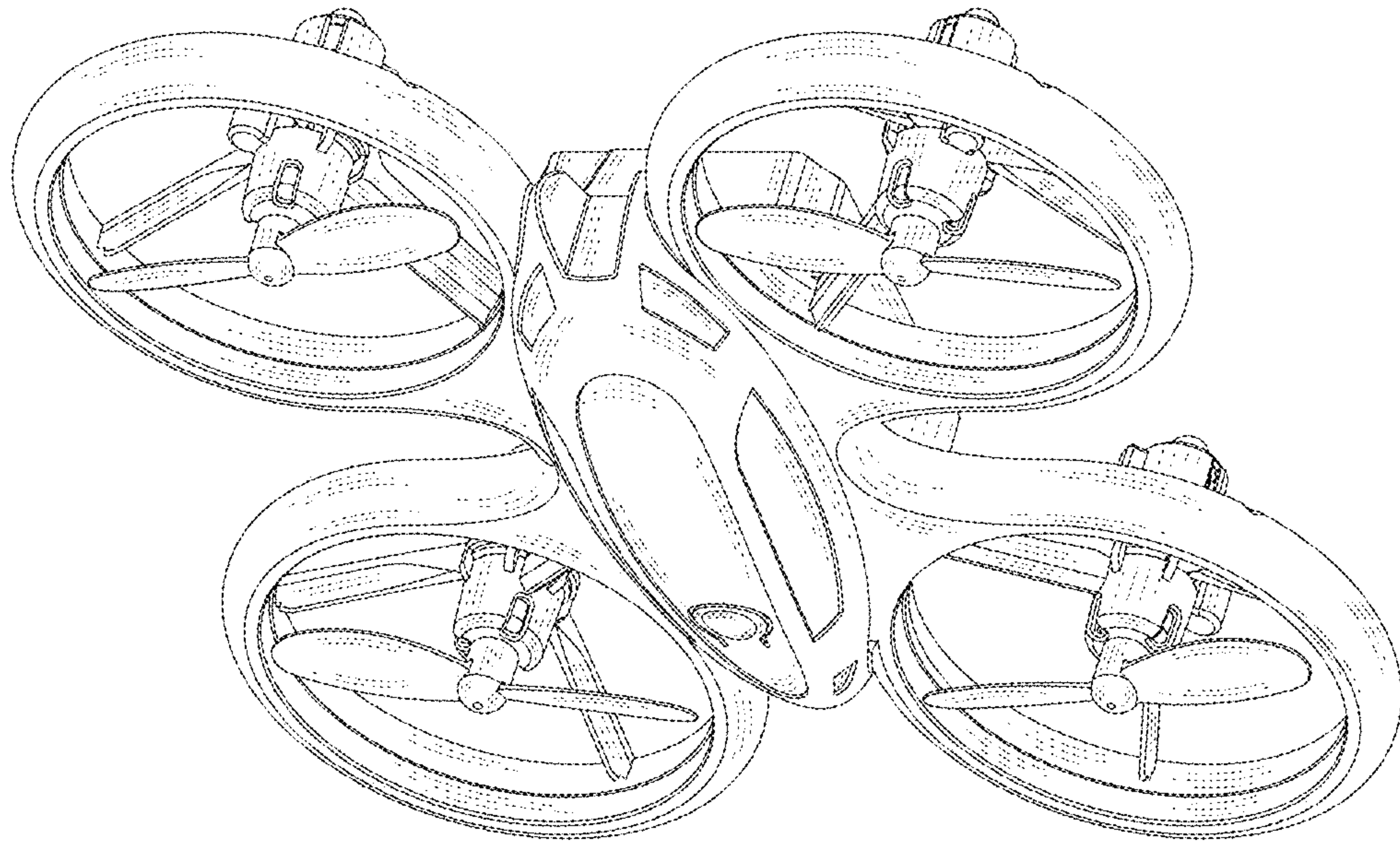


FIG. 1

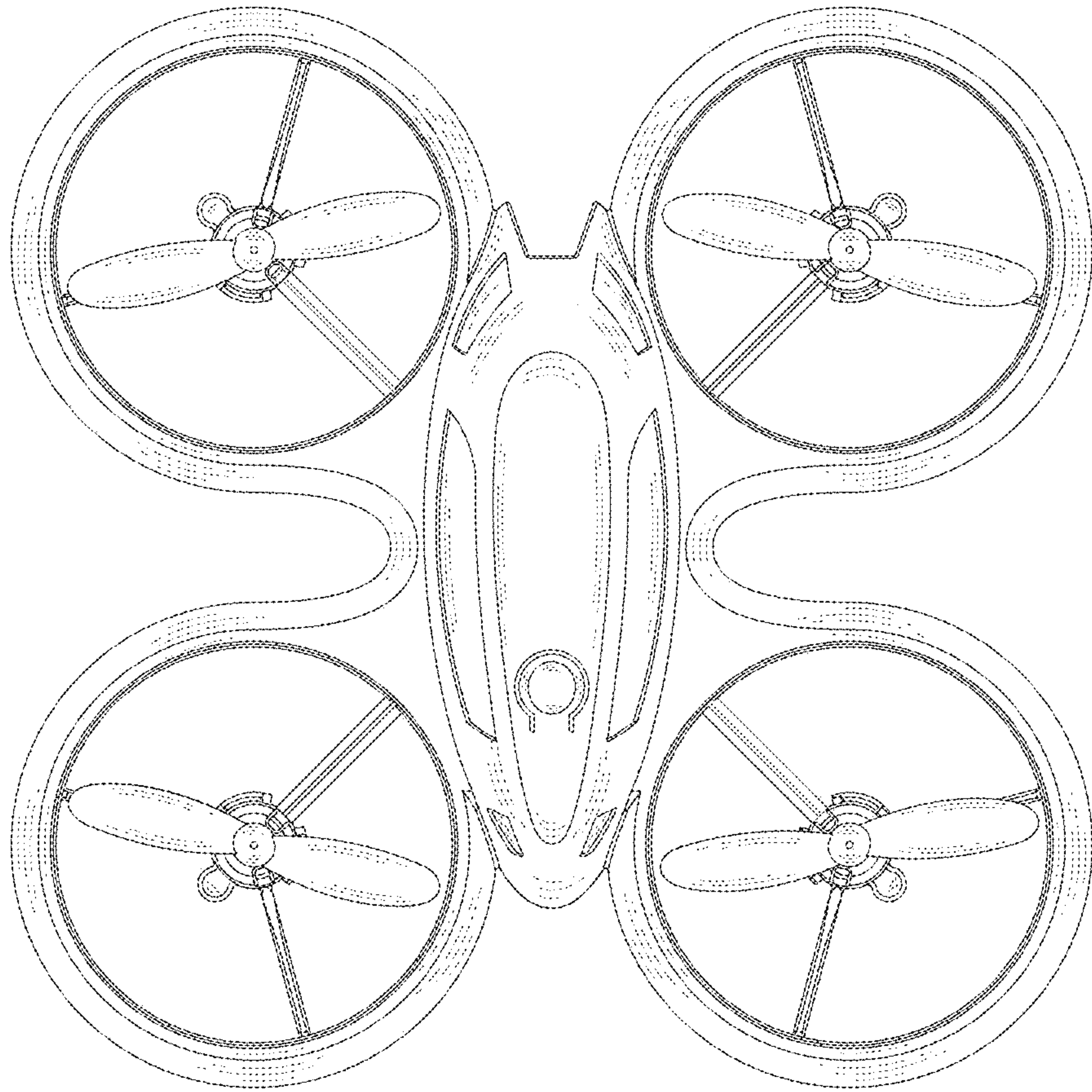


FIG. 2

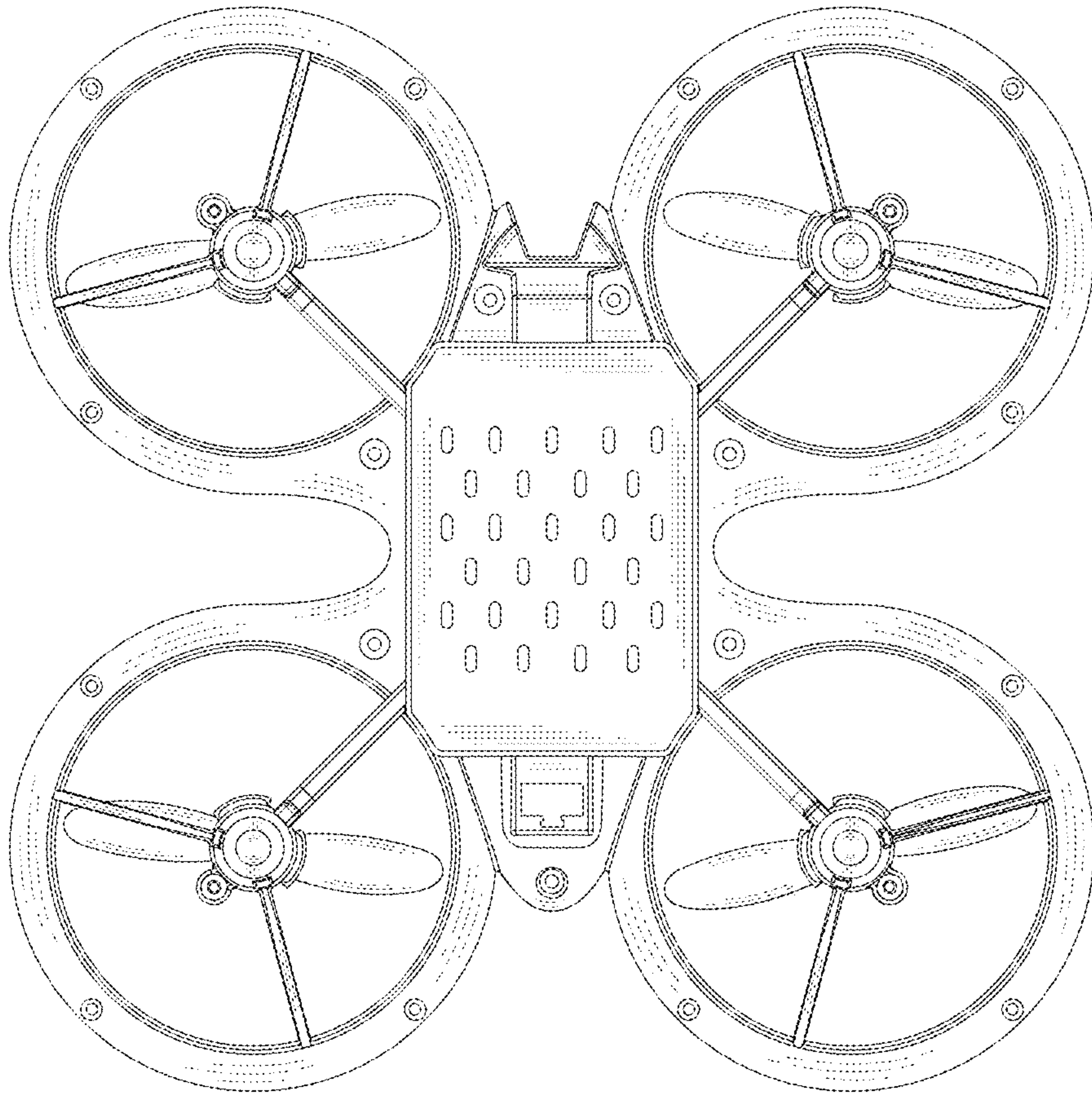


FIG. 3

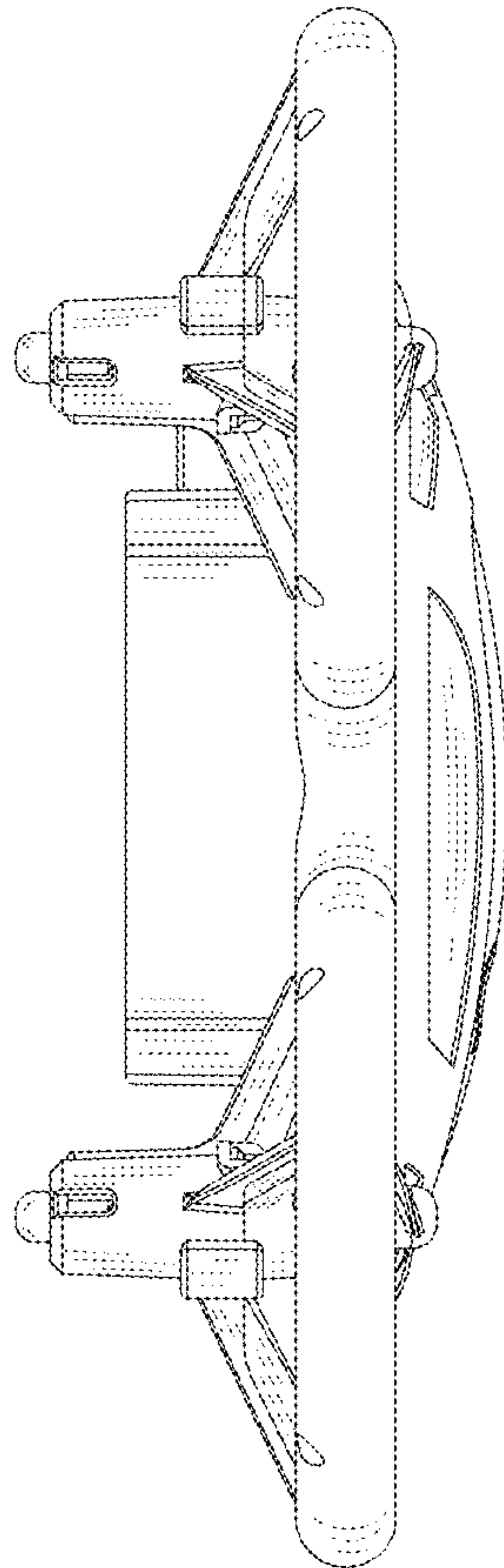


FIG. 4

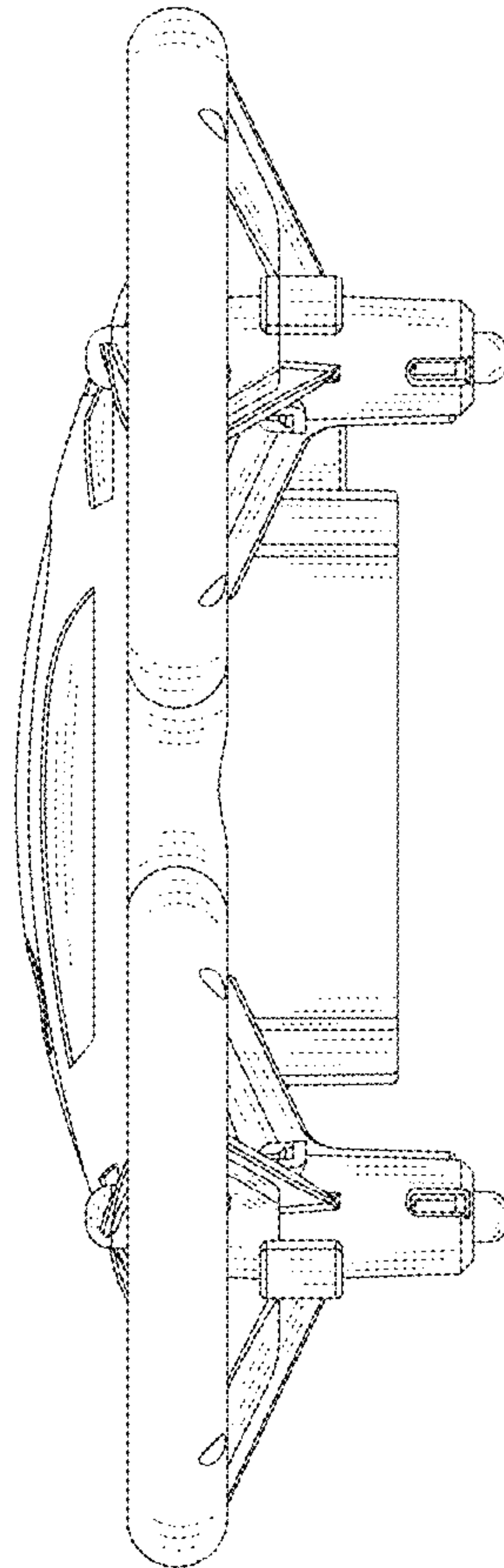


FIG. 5

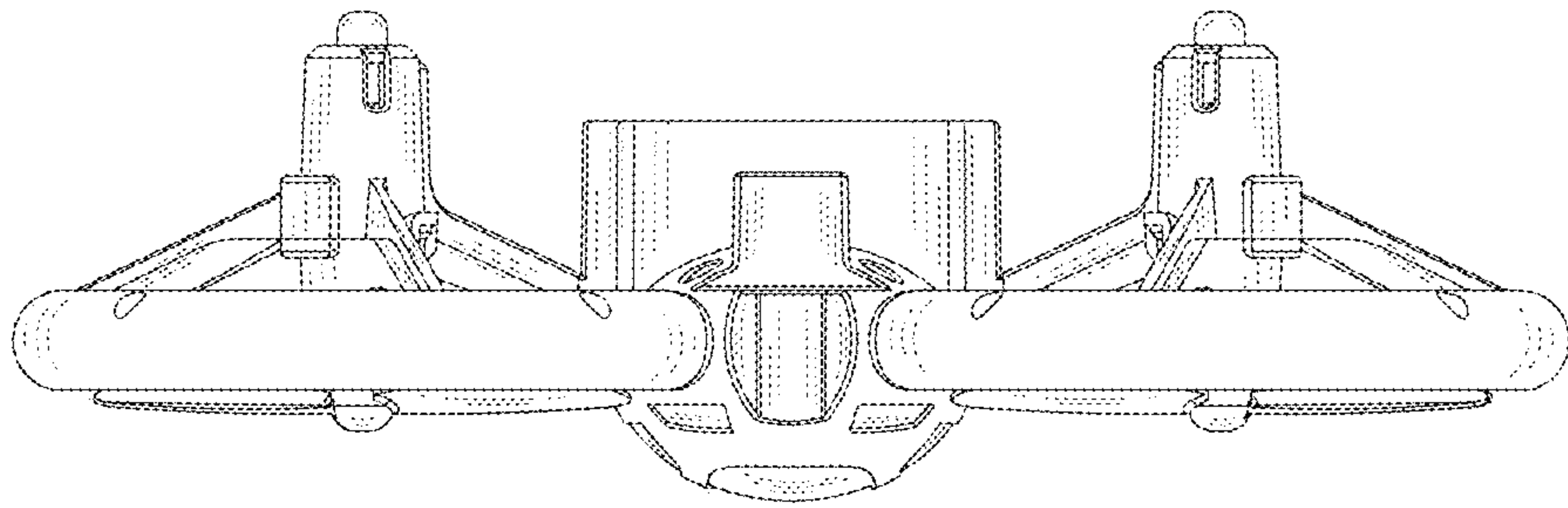


FIG. 6

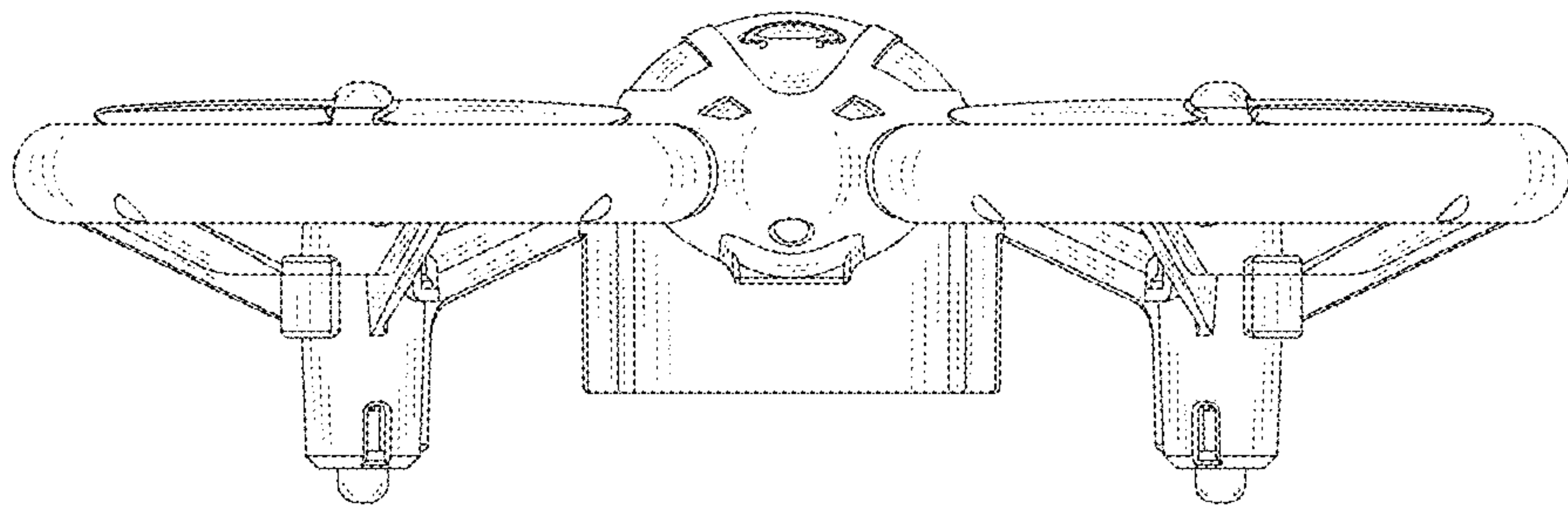


FIG. 7