



US00D981905S

(12) **United States Design Patent**
Stout et al.

(10) **Patent No.:** **US D981,905 S**
(45) **Date of Patent:** **** Mar. 28, 2023**

(54) **INCENSE HOLDER**

(71) Applicant: **Paddywax, LLC**, Nashville, TN (US)

(72) Inventors: **Cartter Stout**, Nashville, TN (US);
Andalyn Warren, Nashville, TN (US);
Samuel Joseph Moore, Nashville, TN (US)

(73) Assignee: **Paddywax, LLC**, Nashville, TN (US)

(**) Term: **15 Years**

(21) Appl. No.: **29/755,210**

(22) Filed: **Oct. 19, 2020**

(51) **LOC (14) Cl.** **11-02**

(52) **U.S. Cl.**
USPC **D11/131.1**

(58) **Field of Classification Search**
USPC D7/509, 510; D9/425, 558, 428, 436;
D11/131, 131.1, 143, 144, 152, 153, 154;
D23/201, 207-208, 213, 336, 352,
D23/355-356, 362, 364, 366, 388;
D26/37, 40, 49

CPC A47F 7/0021; A61L 9/03
See application file for complete search history.

(56) **References Cited**

U.S. PATENT DOCUMENTS

D122,765 S * 10/1940 Carlson D11/146
2,532,429 A * 12/1950 Sparkman B60S 1/48
401/266
2,554,489 A * 5/1951 Crane A45D 33/005
137/454.2
D356,523 S * 3/1995 Rahr A45D 33/005
D11/143
D419,637 S * 1/2000 Lavon B60S 1/48
D23/201
D468,044 S * 12/2002 Lam D26/104
D565,226 S * 3/2008 Gou D26/40

D569,688 S * 5/2008 Despres D7/510
7,530,899 B2 * 5/2009 Shojiro A63B 69/3688
473/165
D652,131 S * 1/2012 Ritzenhoff D23/366
(Continued)

FOREIGN PATENT DOCUMENTS

CN 201630199332 * 11/2016
CN 202230533893.1 * 8/2022
(Continued)

OTHER PUBLICATIONS

Duftbrunnen fountain, published on (Dec. 2, 2013) on tineye.com, retrieved from internet (Jan. 4, 2023). <URL: https://tineye.com/search/a87d6ec9c199dc09e52d23edf1fc55be93885cd3?sort=crawl_date&order=asc&page=1> (Year: 2013).*
(Continued)

Primary Examiner — Joseph Kukella
Assistant Examiner — Heather Ann Laaveg Wencil
(74) *Attorney, Agent, or Firm* — United IP Counselors, LLC

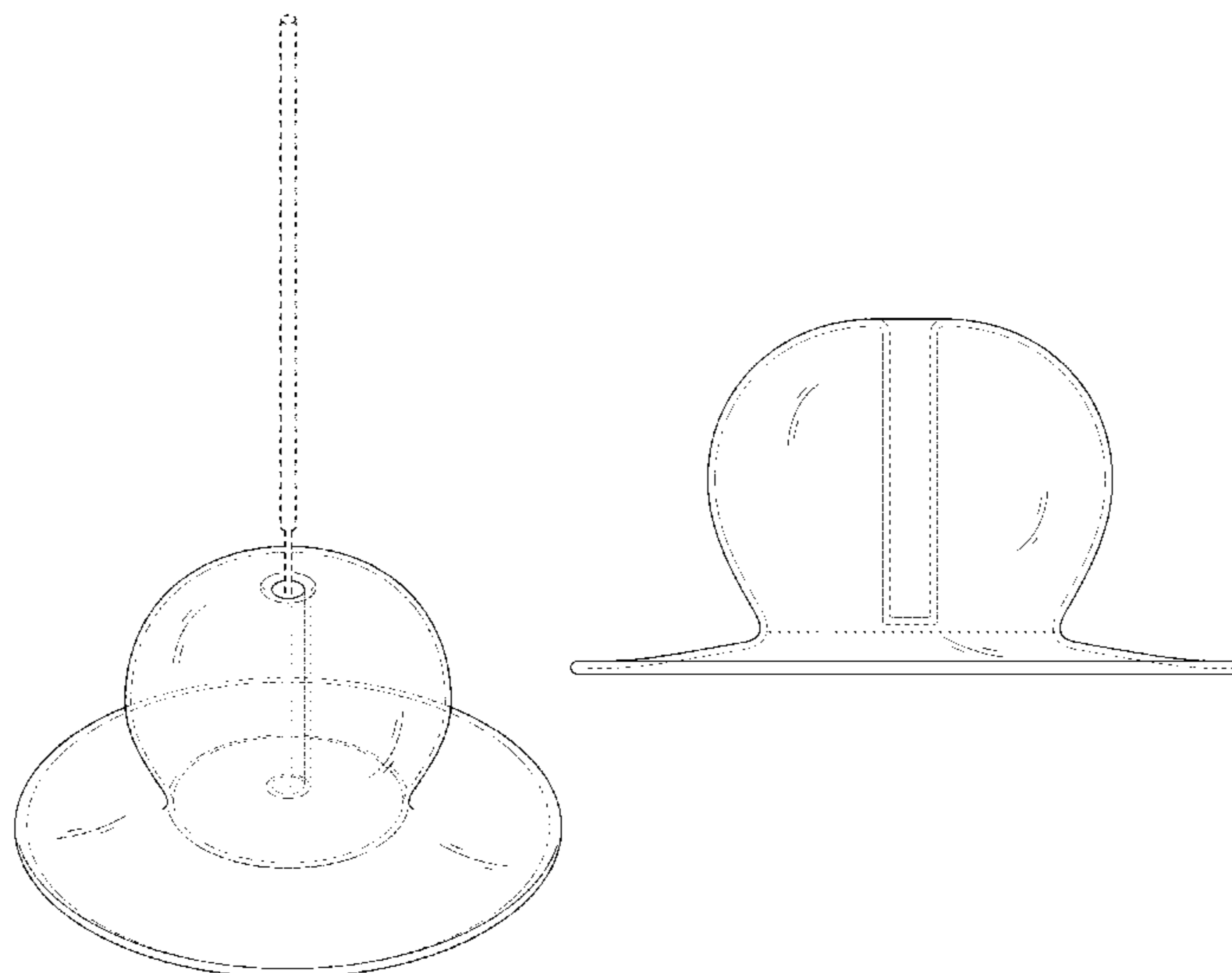
(57) **CLAIM**

The ornamental design for an incense holder, as shown and described.

DESCRIPTION

FIG. 1 is a perspective view of an incense holder, illustrating our new design;
FIG. 2 is a front elevational view of the incense holder of FIG. 1, the incense holder being symmetrical such that the rear, left, and right sides are mirror images of the front;
FIG. 3 is a top plan view of the incense holder of FIG. 1; and
FIG. 4 is a bottom plan view of the incense holder of FIG. 1.
The structure illustrated in FIG. 1 with broken lines is environmental structure that forms no part of the claim.

1 Claim, 4 Drawing Sheets



(56)

References Cited

U.S. PATENT DOCUMENTS

10,334,827 B2 * 7/2019 Chattin A01K 63/003
2006/0210940 A1 * 9/2006 Greiner A61L 9/03
431/289

FOREIGN PATENT DOCUMENTS

GB 2051814 * 3/1996
GB 6096274 * 7/2020
GB 6107936 * 11/2020
JP D2000-24553 * 1/2003
WO WOD060918-001 * 9/2002

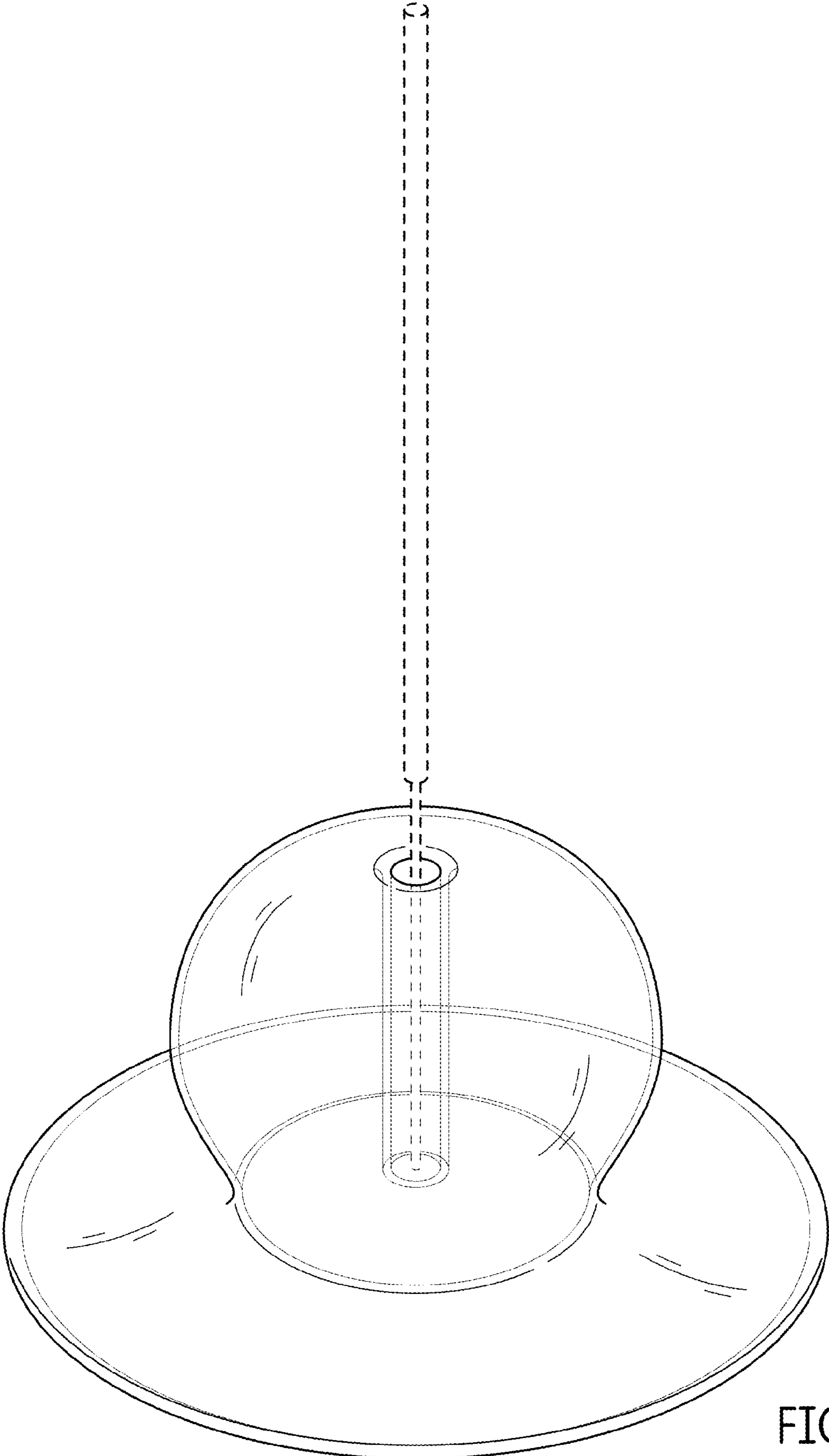
OTHER PUBLICATIONS

Lunax Oil Lamp, published on (Nov. 23, 2015) on amazon.co.jp, retrieved from internet (Jan. 3, 2023). <URL: <https://www.amazon.co.jp/-/en/Lamp-Lunax-Cool-Clear-OLC-04/dp/B018E7W3GY>> (Year: 2015).*

Table Lamp, published on (Jan. 20, 2016) on tineye.com, retrieved from internet (Jan. 3, 2023). <URL: <https://tineye.com/search/8b5e63f3f4316d7b4b4bdfcf402eb751bb6b17ab>> (Year: 2016).*

Little Cabin Incense Burner, published on (Mar. 14, 2021) on tineye.com, retrieved from internet (Jan. 3, 2023). <URL: <https://tineye.com/search/cbe734f76998ed94cfa125f58bec12a37900e4ab>> (Year: 2021).*

* cited by examiner



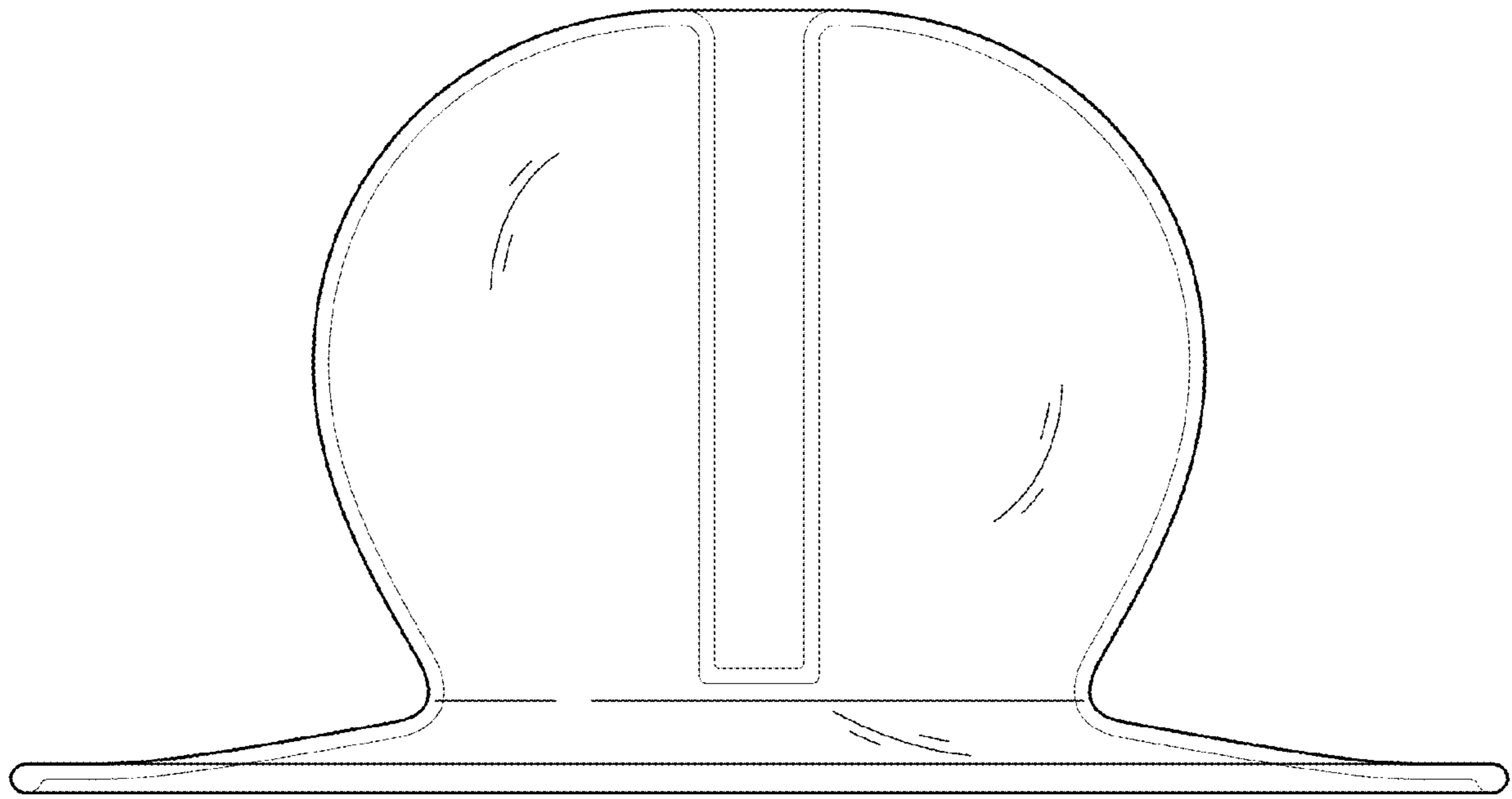


FIG. 2

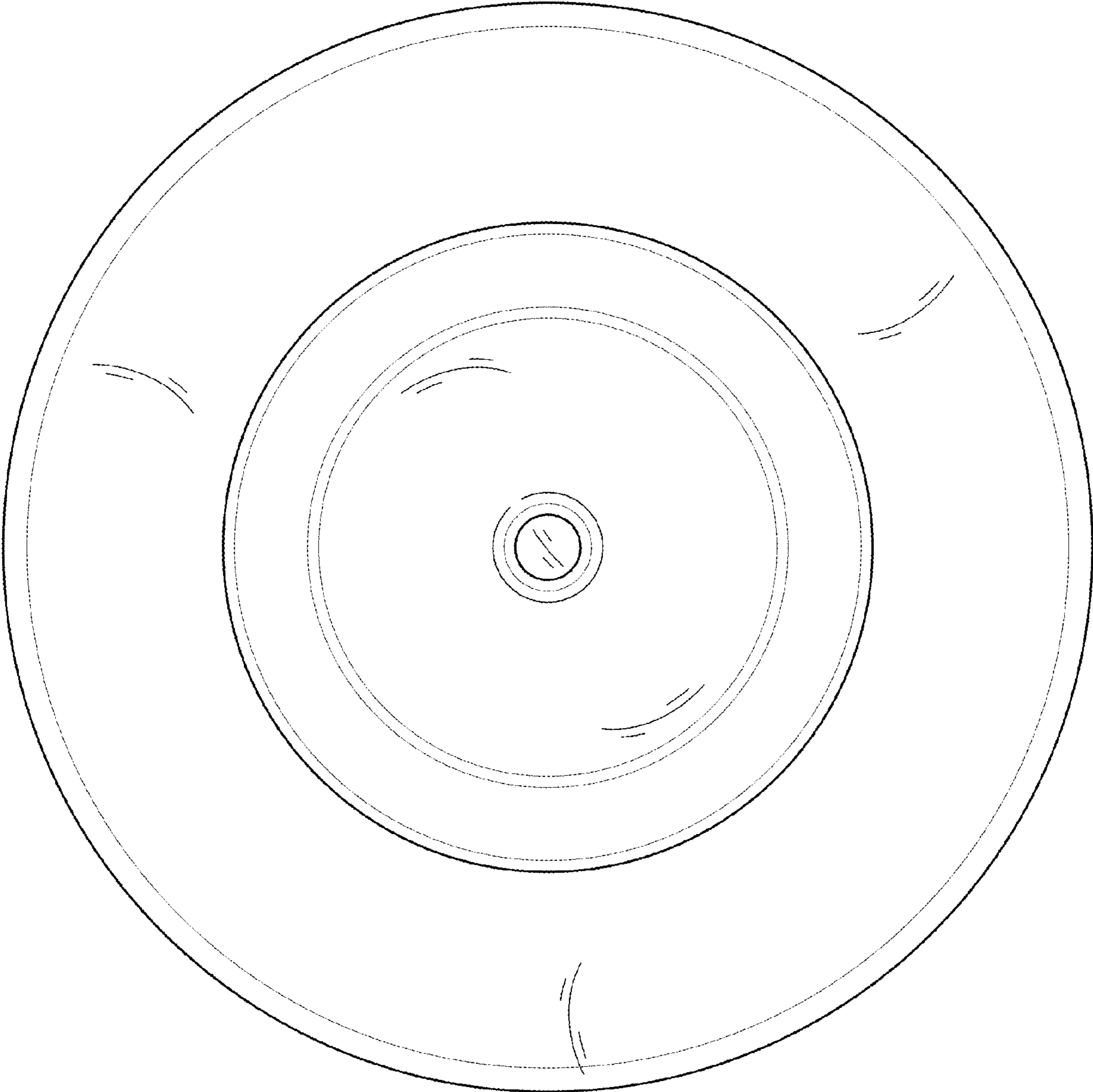


FIG. 3

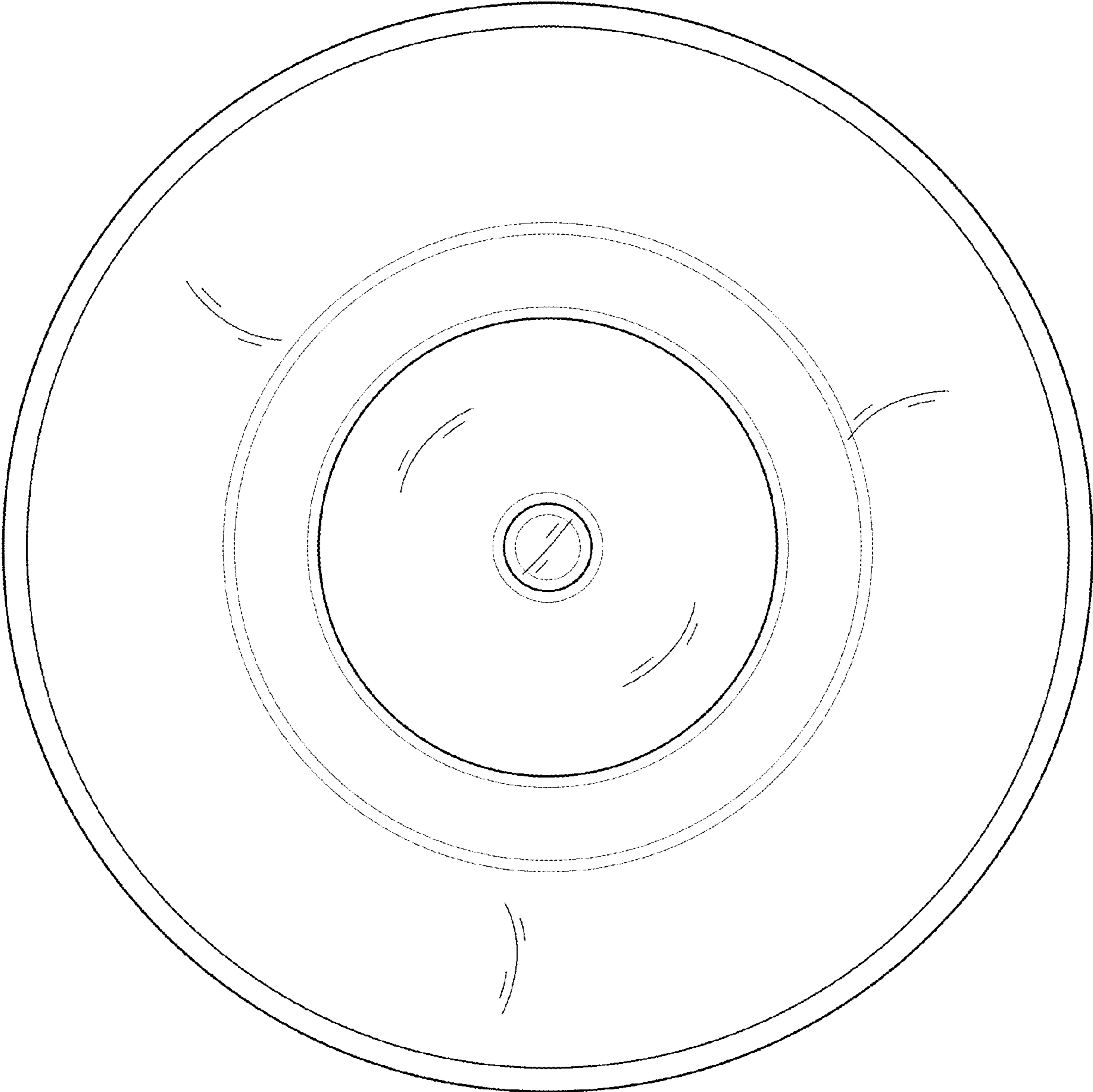


FIG. 4