



US00D981902S

(12) **United States Design Patent**
Li

(10) **Patent No.:** **US D981,902 S**
(45) **Date of Patent:** **** Mar. 28, 2023**

(54) **WATCH STRAP CONNECTOR**
(71) Applicant: **Yin Yan Li**, Dongguan (CN)
(72) Inventor: **Yin Yan Li**, Dongguan (CN)
(**) Term: **15 Years**

D894,781 S * 9/2020 Zhang D11/13
D904,919 S * 12/2020 Barczak G04B 37/1486
D11/3
D909,226 S * 2/2021 Riot A44C 5/14
D11/3

(Continued)

(21) Appl. No.: **29/803,883**

CN 305800307 * 5/2020

(22) Filed: **Aug. 17, 2021**

FOREIGN PATENT DOCUMENTS

(51) **LOC (14) Cl.** **11-01**

(52) **U.S. Cl.**

USPC **D11/94**

(58) **Field of Classification Search**

USPC D11/86, 87, 93, 94, 200, 201, 216, 218;
D10/32; D14/344
CPC G04B 37/00; G04B 37/1486; G04B 37/16;
A44C 5/02; A44C 5/14; A44C 5/18;
A44C 5/2085; A44C 15/0025; Y10T
24/2155; Y10T 24/4736; Y10T 24/4782;
Y10T 24/45241; Y10T 24/45602

See application file for complete search history.

OTHER PUBLICATIONS

PINHEN Reversible Strap. Online [website]. Amazon, Nov. 21, 2021, [retrieved on Dec. 16, 2022]. Retrieved from the internet: <<https://www.amazon.com/PINHEN-Compatible-Reversible-Replacement-Wristband/dp/B09MD2NPBK/>>. (Year: 2021).*

Primary Examiner — Tracey J Bell

Assistant Examiner — Grace Doyle

(57) **CLAIM**

The ornamental design for a watch strap connector, as shown and described.

DESCRIPTION

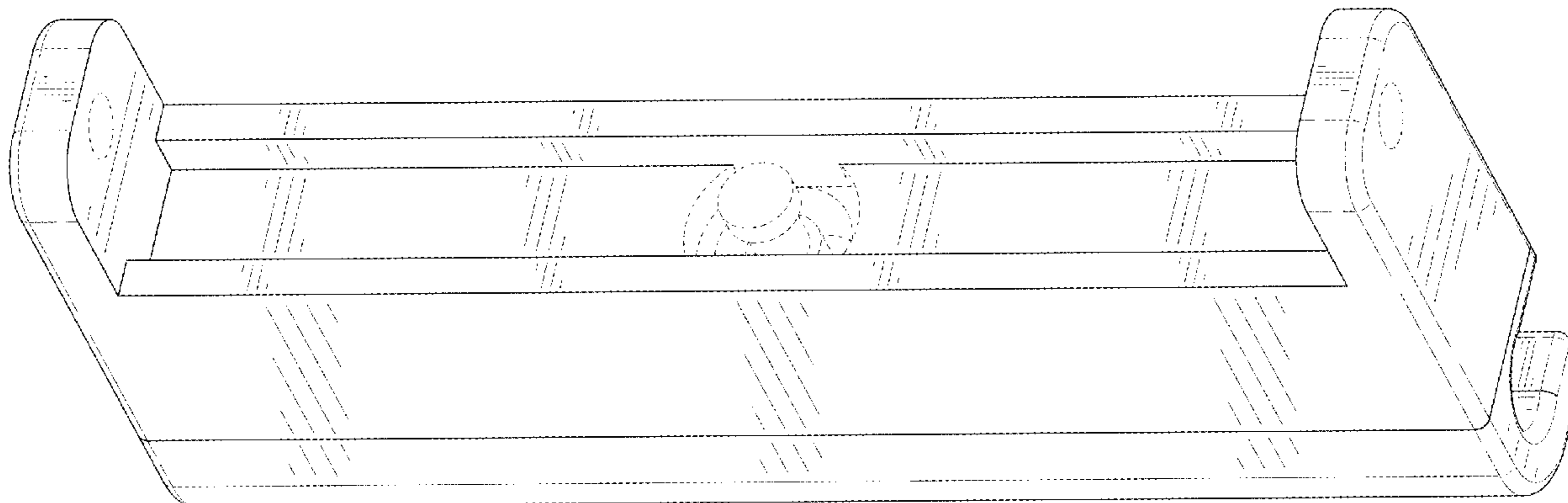
FIG. 1 is a perspective view of a watch strap connector showing my new design;
FIG. 2 is another perspective view thereof;
FIG. 3 is a front elevational view thereof;
FIG. 4 is a rear elevational view thereof;
FIG. 5 is a left side elevational view thereof;
FIG. 6 is a right side elevational view thereof;
FIG. 7 is a top plan view thereof;
FIG. 8 is a bottom plan view thereof; and,
FIG. 9 is a perspective view of the watch strap connector where the watch strap connector is in a configuration of use. The dash-dash broken lines in the drawings depict portions of the watch strap connector that form no part of the claimed design.

(56) **References Cited**

U.S. PATENT DOCUMENTS

2,810,179 A * 10/1957 Brownawell G04B 37/1486
968/359
D273,269 S * 4/1984 Stolarz D8/321
4,597,138 A * 7/1986 Hirsch G04B 37/1486
24/593.1
D333,804 S * 3/1993 Franklin D11/218
D643,772 S * 8/2011 Mikkelsen D11/93
D742,780 S * 11/2015 Barnes D11/87
D752,996 S * 4/2016 Ebersold D14/344
D798,189 S * 9/2017 Nielsen D11/94
D799,368 S * 10/2017 Turvold D11/200
D826,745 S * 8/2018 Liu D11/86
D879,645 S * 3/2020 Lin A44B 11/2596
D11/3
D882,454 S * 4/2020 Chen A44C 5/14
D11/87

1 Claim, 9 Drawing Sheets



(56)

References Cited

U.S. PATENT DOCUMENTS

D945,301 S * 3/2022 Chen G04B 37/1486
D11/3
D949,848 S * 4/2022 Akana D14/344
2014/0098649 A1* 4/2014 Tschumi G04B 37/1486
368/282
2015/0055440 A1* 2/2015 Hembo A44C 5/14
368/276
2016/0040698 A1* 2/2016 Perkins A44B 11/2596
24/664
2018/0294554 A1* 10/2018 Xu G04G 17/04
2020/0329833 A1* 10/2020 Matsunaga A44C 5/14

* cited by examiner

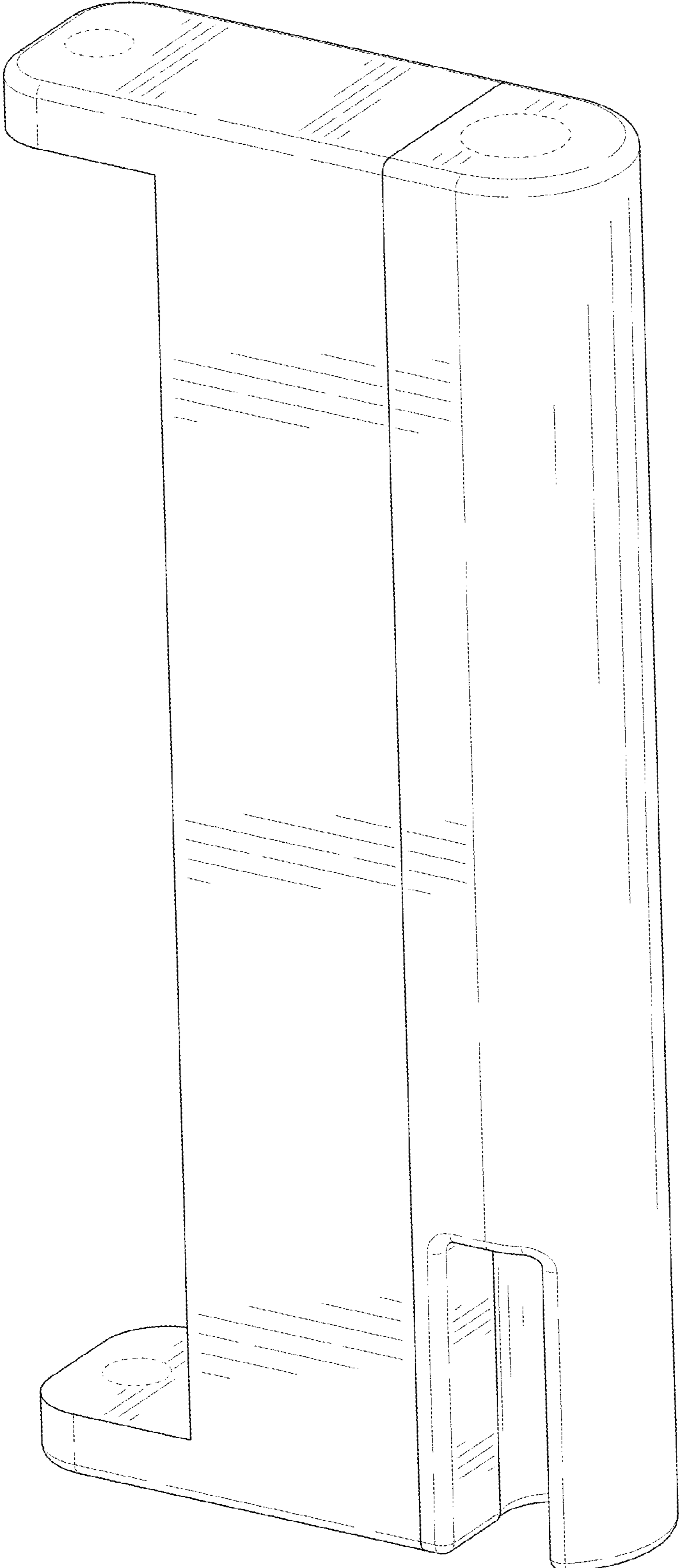


FIG. 1

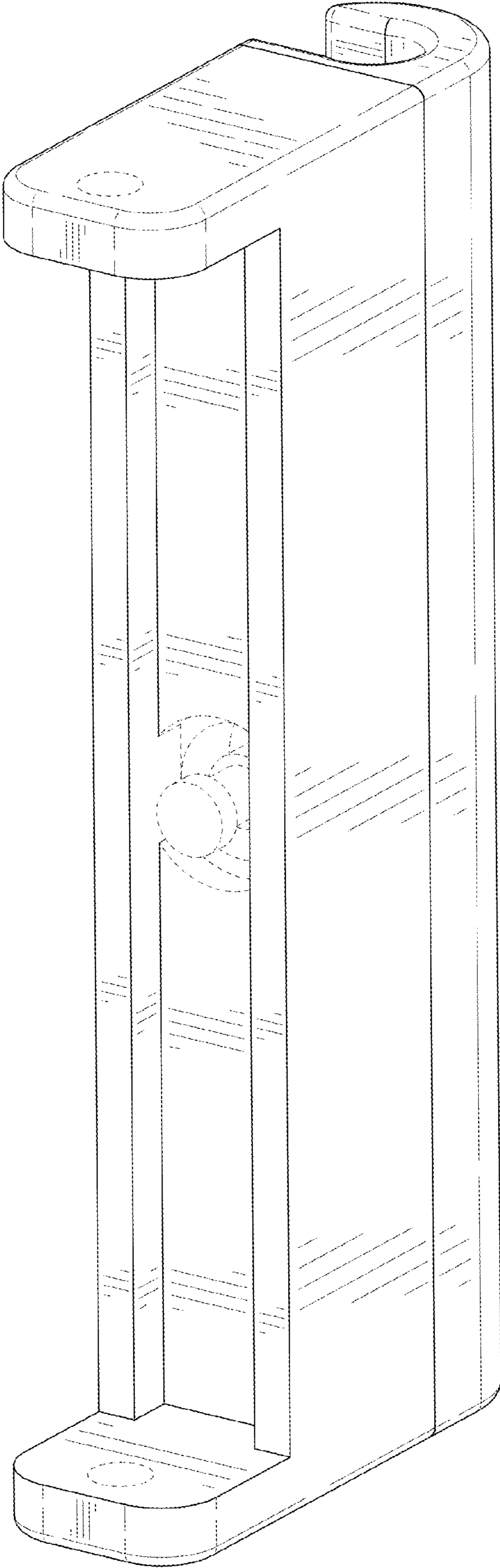


FIG. 2

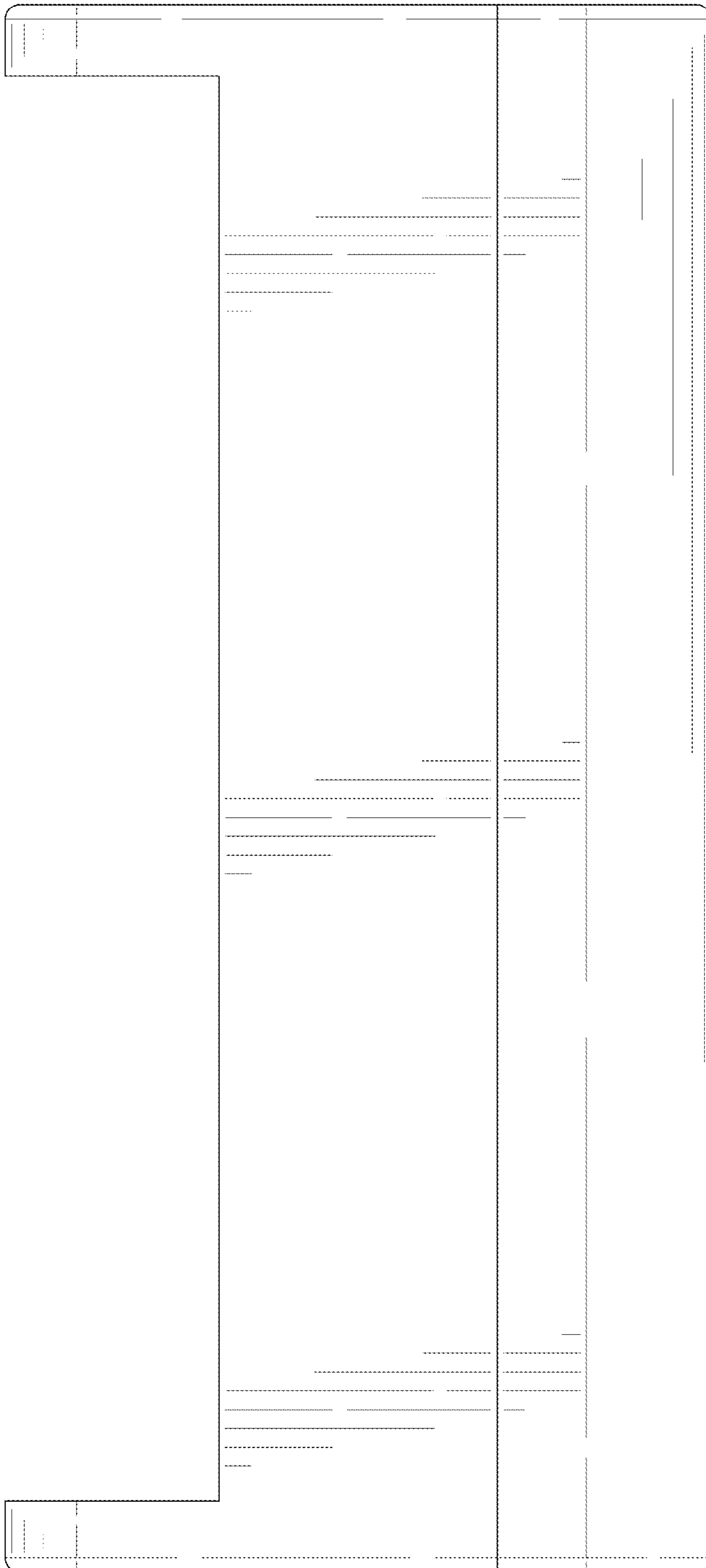


FIG. 3

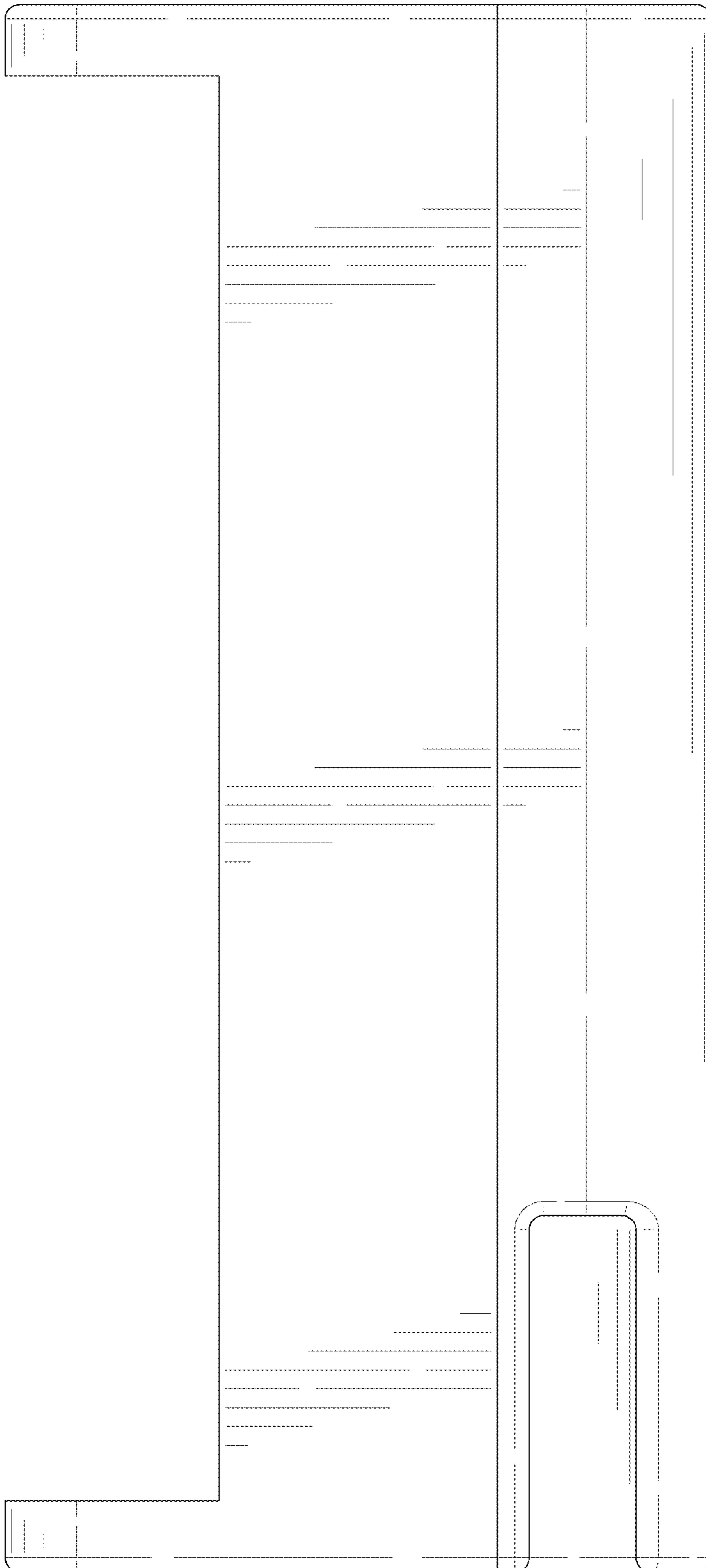


FIG. 4

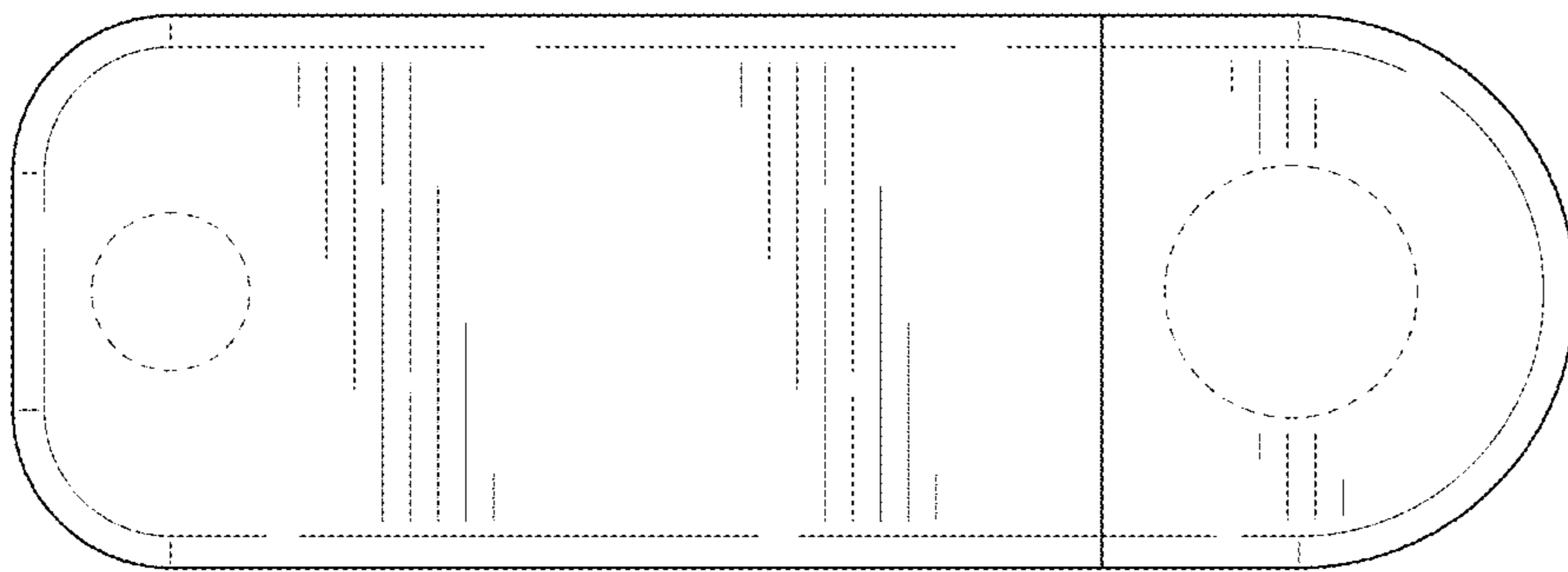


FIG. 5

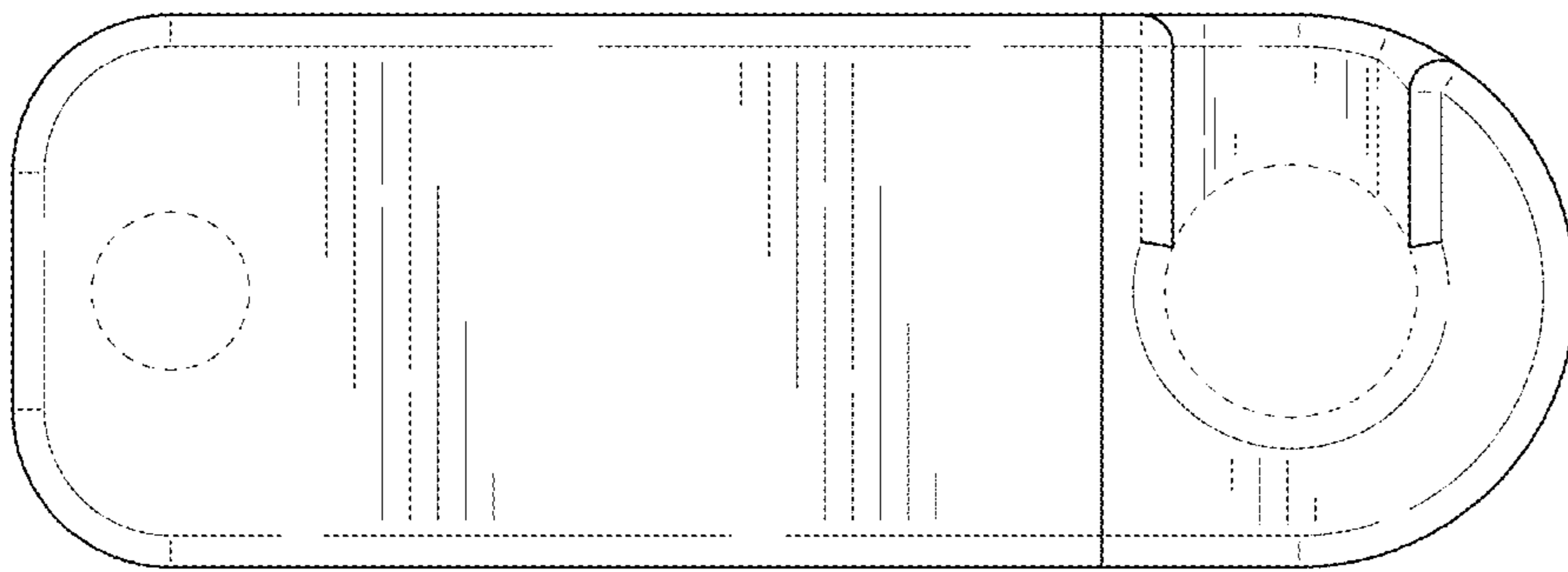


FIG. 6

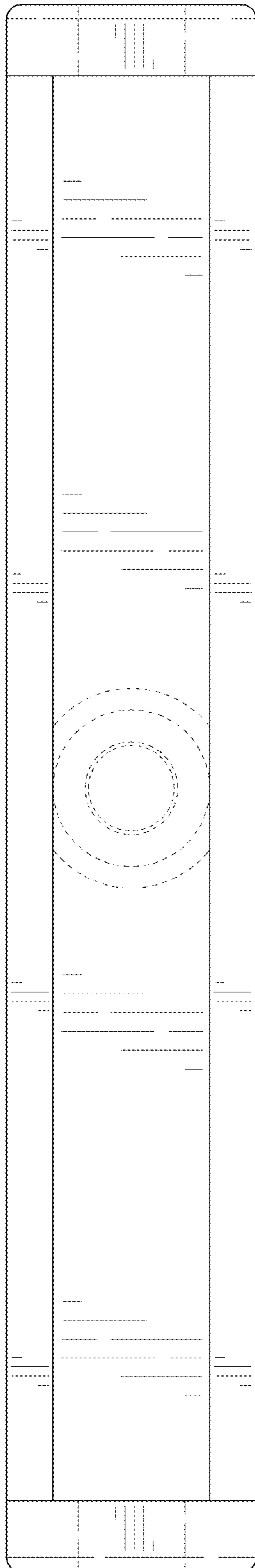


FIG. 7

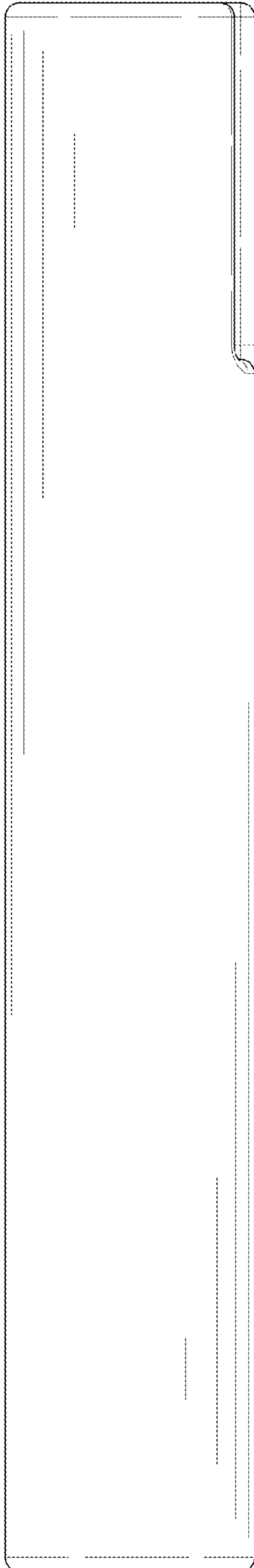


FIG. 8

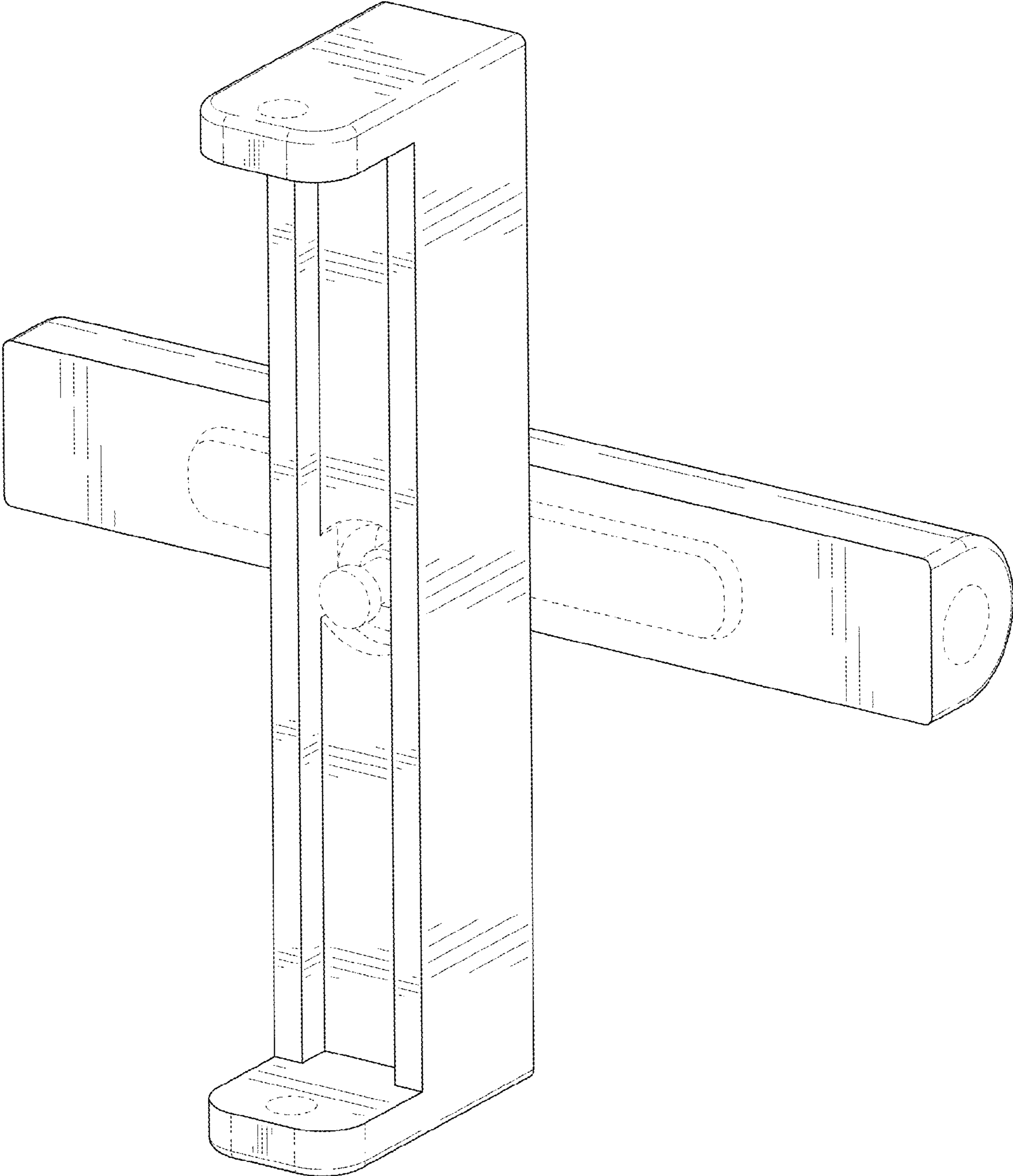


FIG. 9