



US00D981901S

(12) **United States Design Patent**
Dholakiya

(10) **Patent No.:** **US D981,901 S**
(45) **Date of Patent:** **** Mar. 28, 2023**

(54) **PRECIOUS STONE JEWELRY SETTING**

(71) Applicant: **H. K. Designs Inc.**, New York, NY (US)

(72) Inventor: **Hasu Dholakiya**, New York, NY (US)

(73) Assignee: **H. K. DESIGNS INC.**, New York, NY (US)

(**) Term: **15 Years**

(21) Appl. No.: **29/751,111**

(22) Filed: **Sep. 18, 2020**

Related U.S. Application Data

(62) Division of application No. 29/604,860, filed on May 22, 2017, now Pat. No. Des. 899,964.

(51) **LOC (14) Cl.** **11-01**

(52) **U.S. Cl.**
USPC **D11/91**

(58) **Field of Classification Search**
USPC D11/1, 2, 26-31, 34-36, 79, 91-92, D11/35-40
CPC . A44C 17/02; A44C 17/0275; A44C 17/0283; A44C 17/0291; A44C 25/001; A44C 25/007

See application file for complete search history.

(56) **References Cited**

U.S. PATENT DOCUMENTS

- 795,109 A * 7/1905 Dover A44C 17/02 63/26
- 4,435,963 A * 3/1984 Shigeru A44C 3/00 220/319
- D306,707 S * 3/1990 Henry De Frahan D11/75
- D311,356 S * 10/1990 De Frahan D11/79
- D311,504 S * 10/1990 De Frahan D11/79
- 6,389,846 B1 5/2002 Siebenberg

- 6,442,971 B1 9/2002 Gurevich
- D473,812 S 4/2003 Itzkowitz
- D561,637 S 2/2008 Barin
- D676,349 S 2/2013 Papadimitriou
- D676,781 S 2/2013 Papadimitriou
- D684,085 S 6/2013 Papadimitriou
- D766,123 S 9/2016 Wachtmeister
- D860,036 S * 9/2019 Dholakiya D11/91
- 10,602,814 B1 * 3/2020 Dholakiya A44C 17/02
- D891,977 S * 8/2020 Dholakiya D11/91
- D893,340 S * 8/2020 Zheng D11/42
- D899,964 S * 10/2020 Dholakiya D11/92
- D941,700 S * 1/2022 Dholakiya D11/91
- 2001/0017040 A1 * 8/2001 Tseng A44C 25/001 63/1.11

2003/0221453 A1 12/2003 Turpanjian
(Continued)

Primary Examiner — Llorellys Martinez

(74) *Attorney, Agent, or Firm* — Ostrolenk Faber LLP

(57) **CLAIM**

The ornamental design for a precious stone jewelry setting, as shown and described.

DESCRIPTION

FIG. 1 is a top view of the precious stone jewelry setting showing my new design.

FIG. 2 is a perspective view of the precious stone jewelry setting of FIG. 1, with the transparent cover removed.

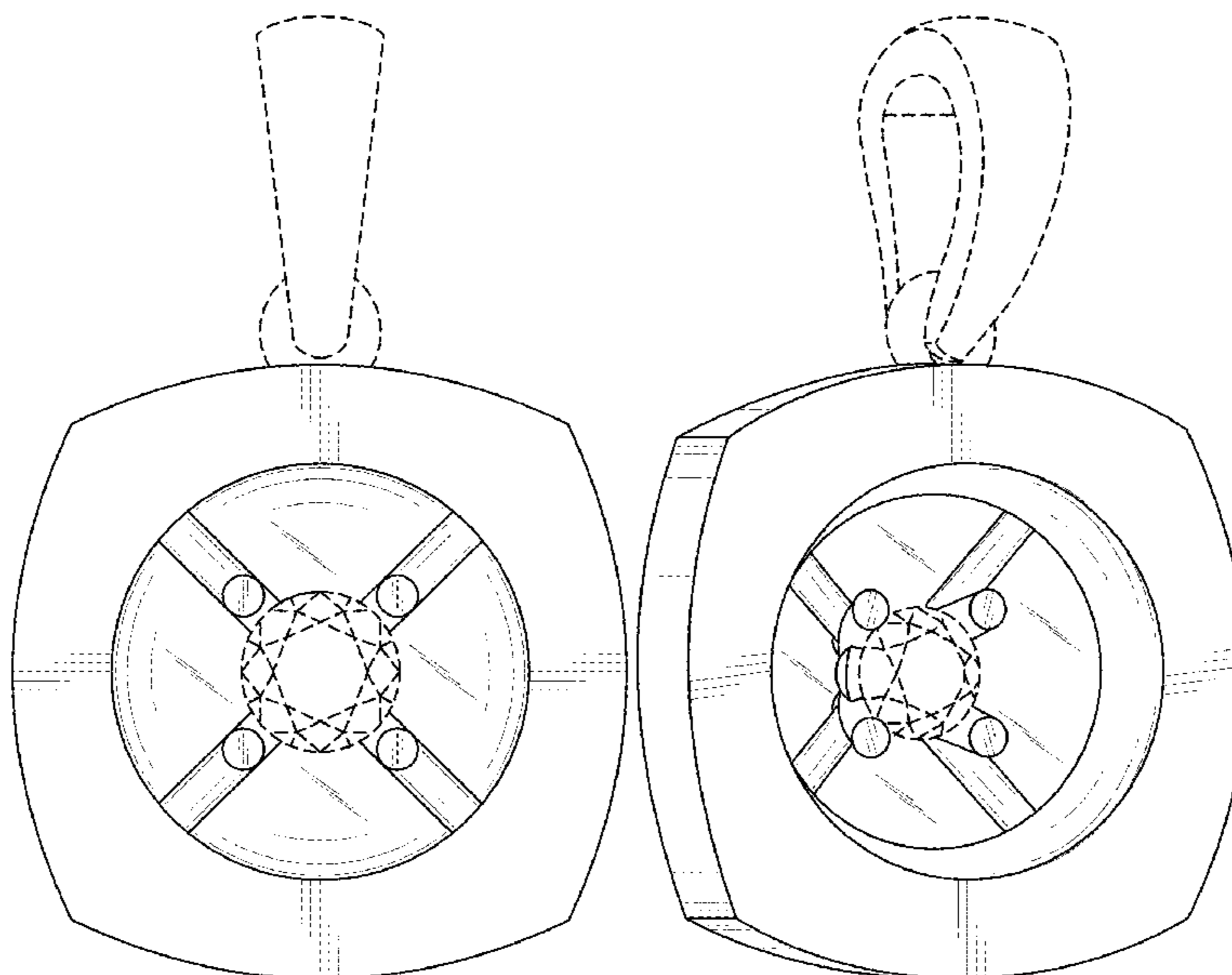
FIG. 3 is a right side elevation view of the precious stone jewelry setting of FIG. 1, the left side view being a mirror image thereof.

FIG. 4 is a rear perspective view of the precious stone jewelry setting of FIG. 1; and,

FIG. 5 is a rear view of the precious stone jewelry setting of FIG. 1.

The broken lines in the drawings illustrate portions of the precious stone jewelry setting that form no part of the claimed design.

1 Claim, 5 Drawing Sheets



(56)

References Cited

U.S. PATENT DOCUMENTS

2004/0103689 A1* 6/2004 Chia A44C 11/007
63/26
2005/0199004 A1* 9/2005 Bernsen A44C 11/007
63/26
2007/0089457 A1* 4/2007 Katz A44C 17/02
63/26
2013/0160489 A1 6/2013 Arjang
2013/0227989 A1 9/2013 Kothari
2015/0075217 A1 3/2015 Disinger
2016/0066662 A1* 3/2016 Rosenberg A44C 17/02
428/13
2016/0232439 A1* 8/2016 Huynh A44C 17/02
2017/0172265 A1* 6/2017 Leuz A44C 17/0283
2018/0000208 A1* 1/2018 Bove A44C 17/04
2018/0070686 A1* 3/2018 de Cezaro A44C 17/02
2018/0307050 A1* 10/2018 Dholakiya A44C 17/02

* cited by examiner

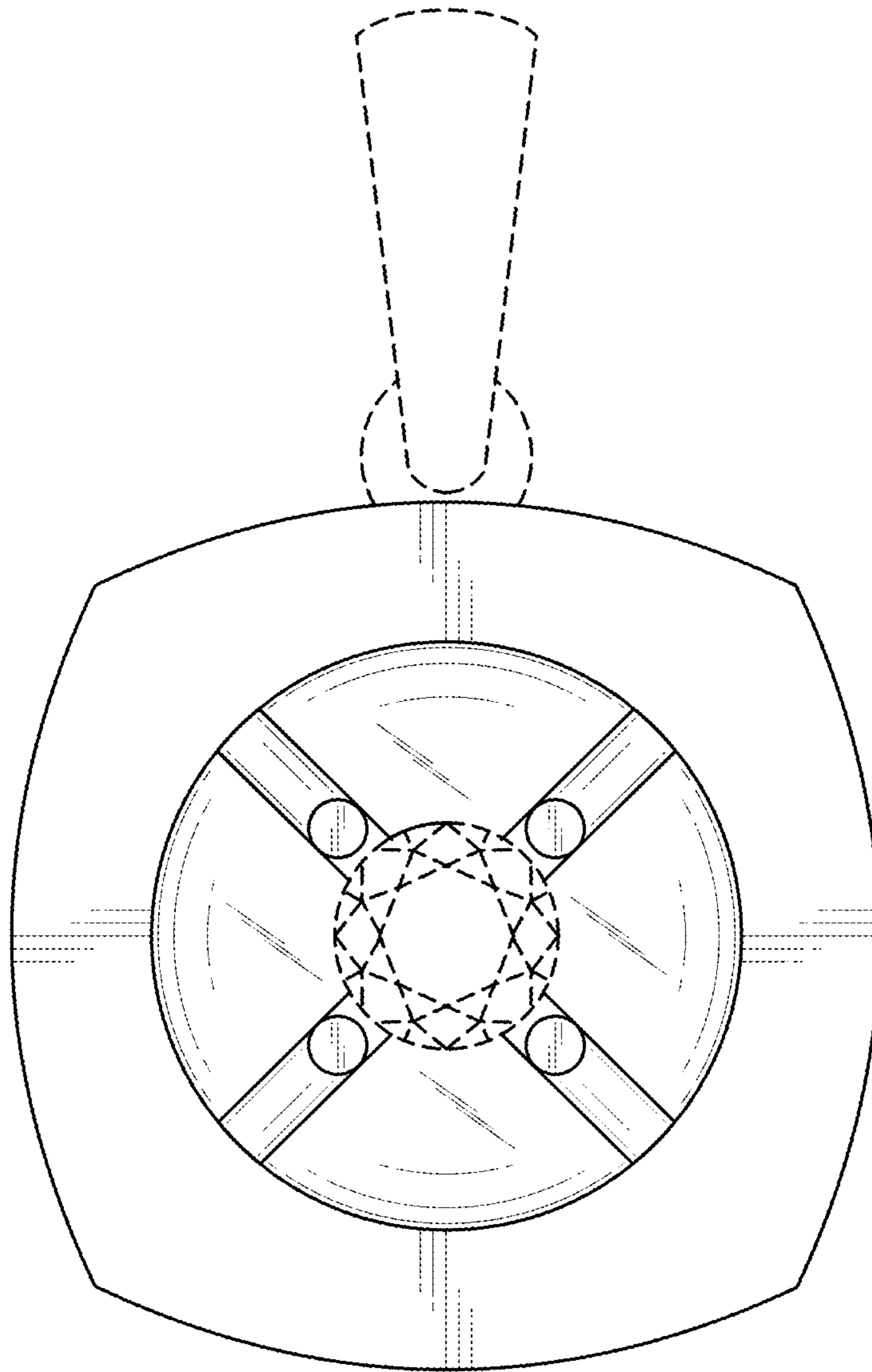


FIG. 1

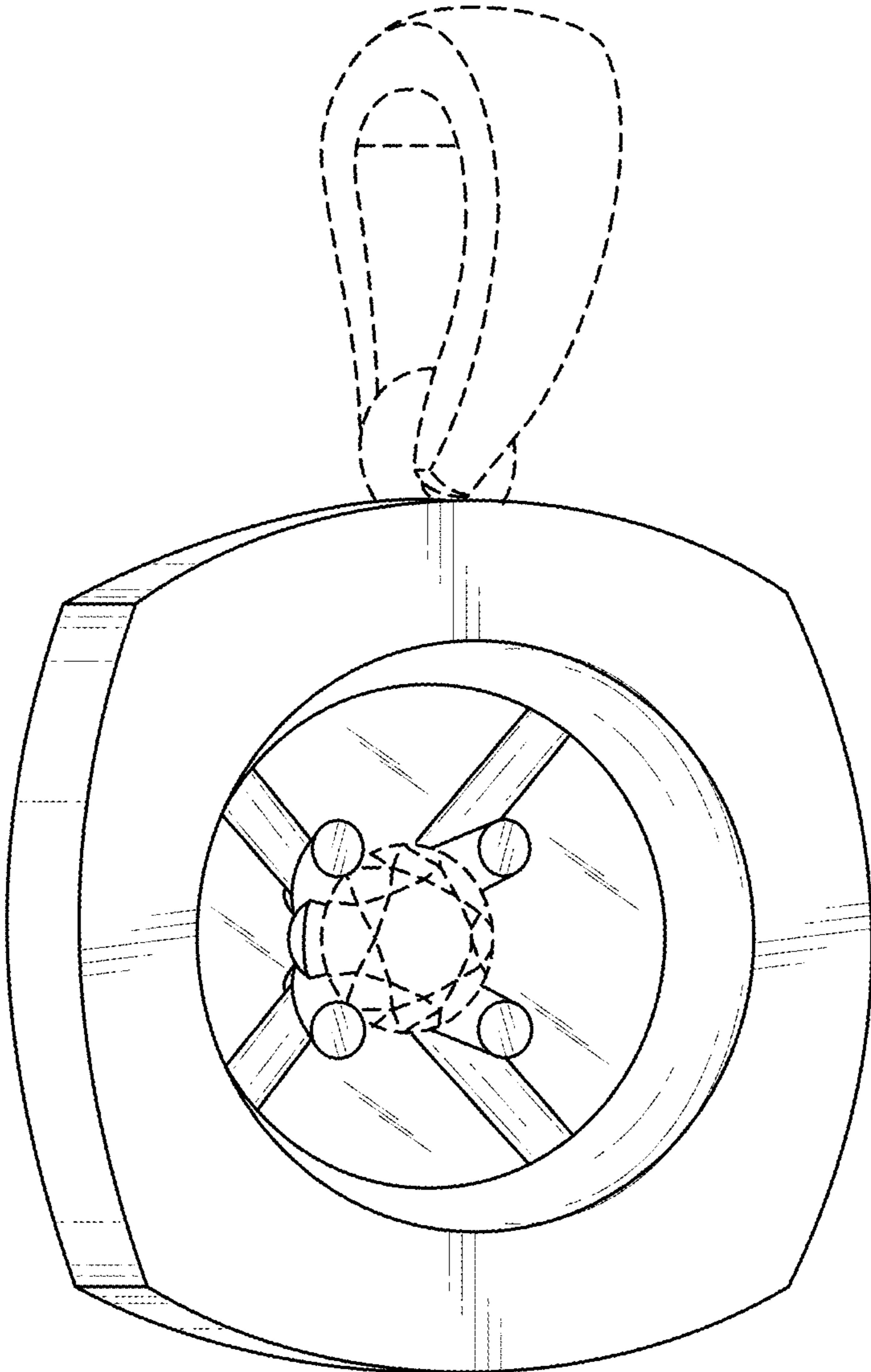


FIG. 2

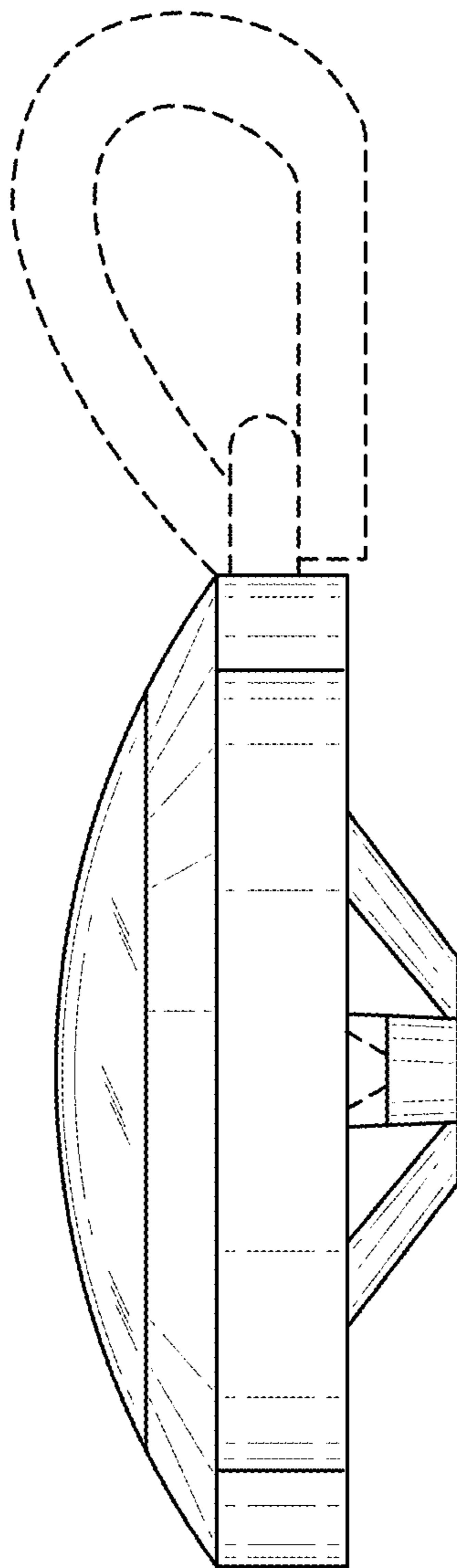


FIG. 3

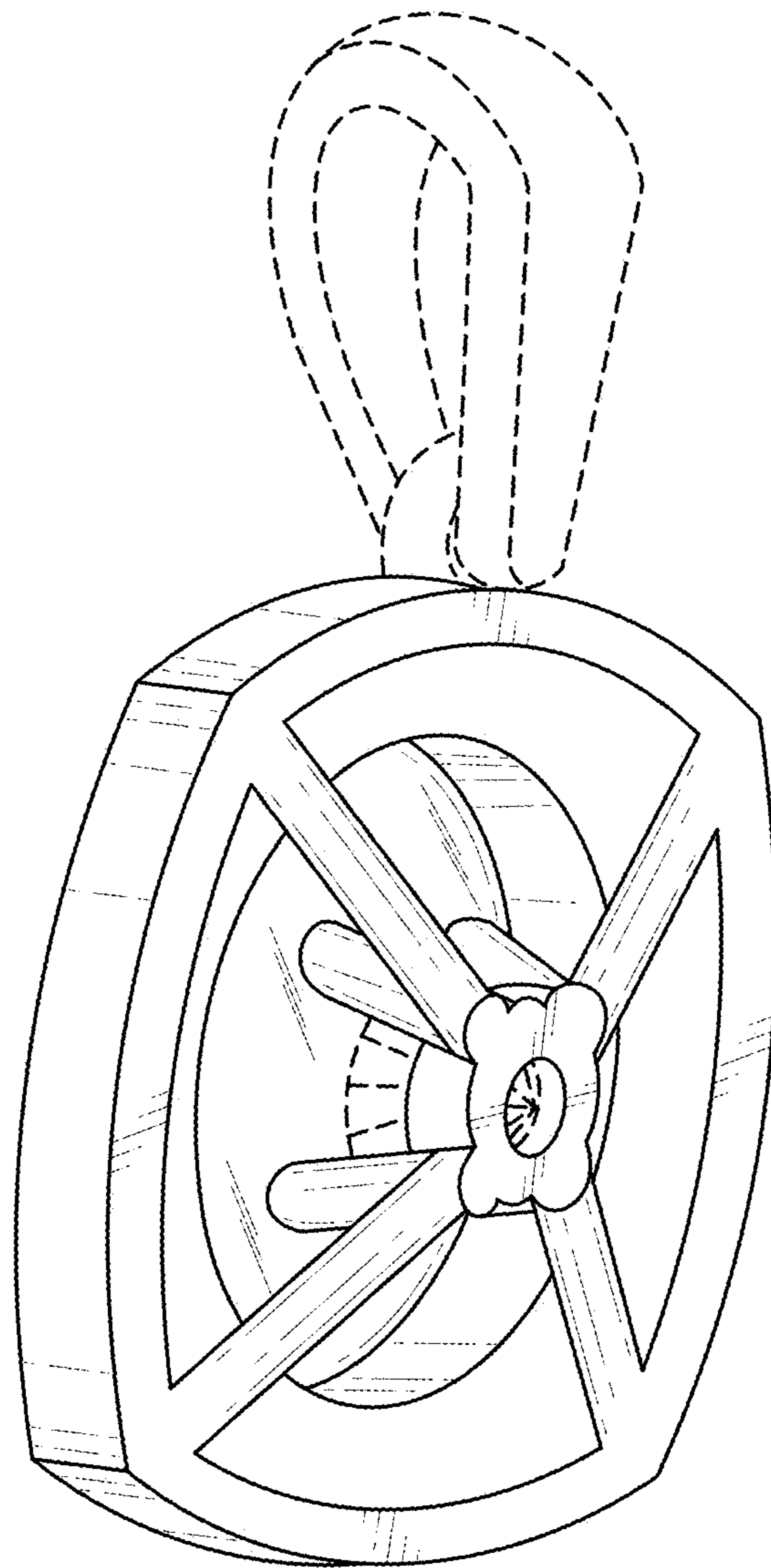


FIG. 4

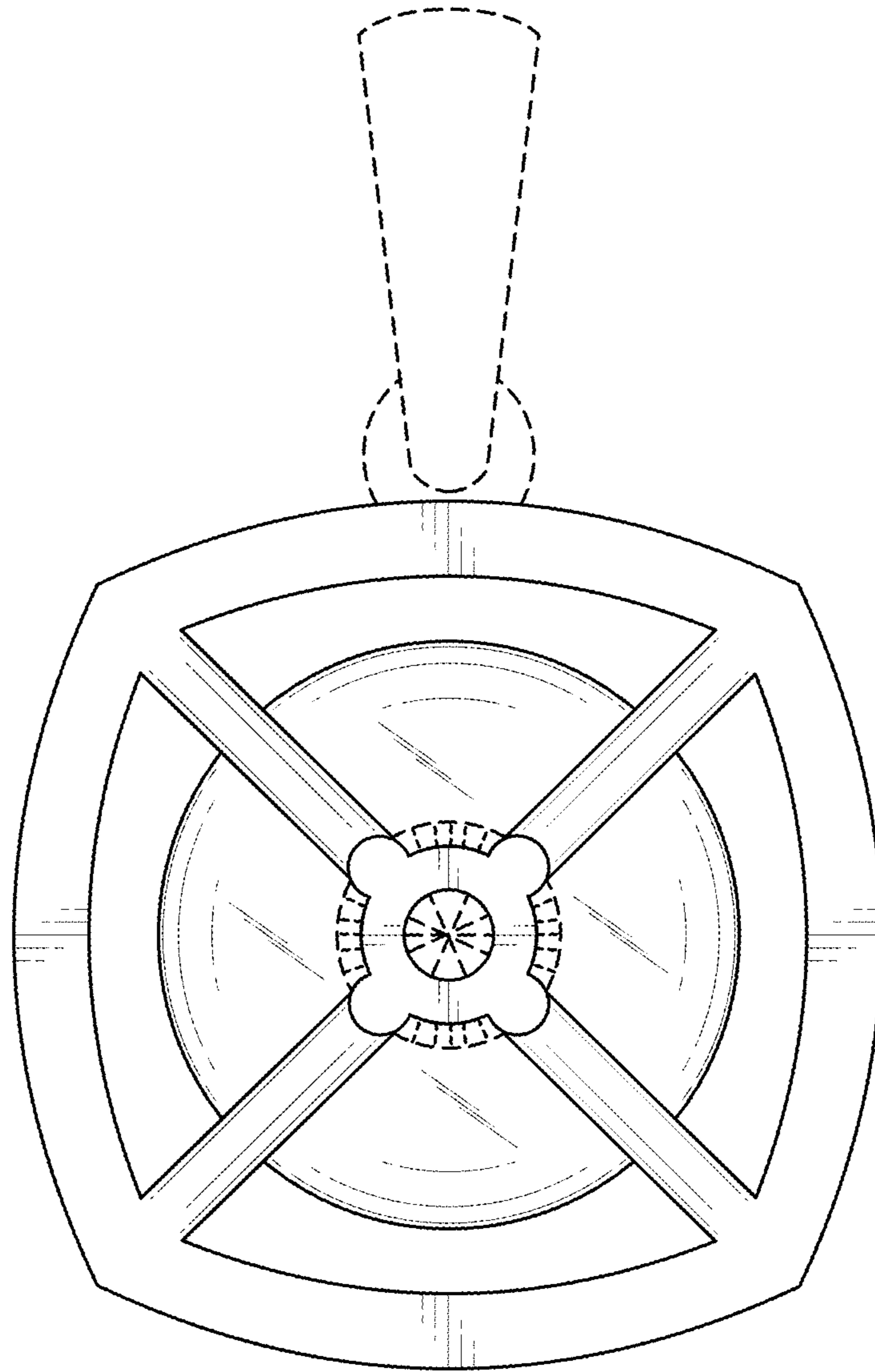


FIG. 5