



US00D981899S

(12) **United States Design Patent** (10) **Patent No.:** **US D981,899 S**  
**Sebag** (45) **Date of Patent:** **\*\* Mar. 28, 2023**

(54) **CHARM**

(71) Applicant: **Cartier International AG**, Steinhausen (CH)

(72) Inventor: **Violaine Sebag**, Saint-Mande (FR)

(\*\*) Term: **15 Years**

(21) Appl. No.: **35/514,141**

(22) Filed: **Feb. 26, 2022**

(80) **Hague Agreement Data**

Int. Filing Date: **Feb. 26, 2022**

Int. Reg. No.: **DM/219375**

Int. Reg. Date: **Feb. 26, 2022**

Int. Reg. Pub. Date: **Apr. 29, 2022**

(51) **LOC (14) Cl.** ..... **11-01**

(52) **U.S. Cl.**  
USPC ..... **D11/81**

(58) **Field of Classification Search**  
USPC ..... D11/7-8, 40-86, 207-211  
CPC ..... A44C 7/002; A44C 7/003; A44C 7/004;  
A44C 7/005; A44C 7/009; A44C 25/001;  
A44C 25/002; A44C 25/004; A44C  
25/005; A44C 25/007; A44C 25/008  
See application file for complete search history.

(56) **References Cited**

U.S. PATENT DOCUMENTS

D36,987 S *	6/1904	Abel	.....	D11/79
D38,475 S *	3/1907	Arnold	.....	D11/80
D108,442 S *	2/1938	Hill	.....	D11/114
D394,823 S *	6/1998	Vos	.....	D11/79
D489,888 S *	5/2004	Opolka	.....	D3/207
D559,143 S *	1/2008	Walsh	.....	D11/7
D640,867 S *	7/2011	DiStefano	.....	D3/208
D706,157 S *	6/2014	Zeuner	.....	D11/54

D794,556 S *	8/2017	Liao	.....	D3/208
D921,526 S *	6/2021	Krauss	.....	D11/100
D955,018 S *	6/2022	De Paoli Chiarlo	.....	D26/37
2019/0000193 A1 *	1/2019	Martino	.....	A44B 19/262

FOREIGN PATENT DOCUMENTS

GB 8102092000-5000 \* 7/2018

OTHER PUBLICATIONS

Courage: Evil Eye Coin Charm Pendant, available Jun. 2, 2022, online, site visited Sep. 23, 2022. Available online, URL: <https://mejuri.com/shop/products/courage-evil-eye-coin-pendant> (Year: 2022).\*  
Cartier 18 Karat White Gold Star of David Charm, available Dec. 31, 1999, online, site visited Sep. 23, 2022. Available online, URL: [https://www.1stdibs.com/jewelry/more-jewelry-watches/more-jewelry/cartier-18-karat-white-gold-star-david-charm/id-j\\_8922162/](https://www.1stdibs.com/jewelry/more-jewelry-watches/more-jewelry/cartier-18-karat-white-gold-star-david-charm/id-j_8922162/) (Year: 1999).\*

(Continued)

*Primary Examiner* — W. A. Teddy Falloway

*Assistant Examiner* — Sarah J Ault

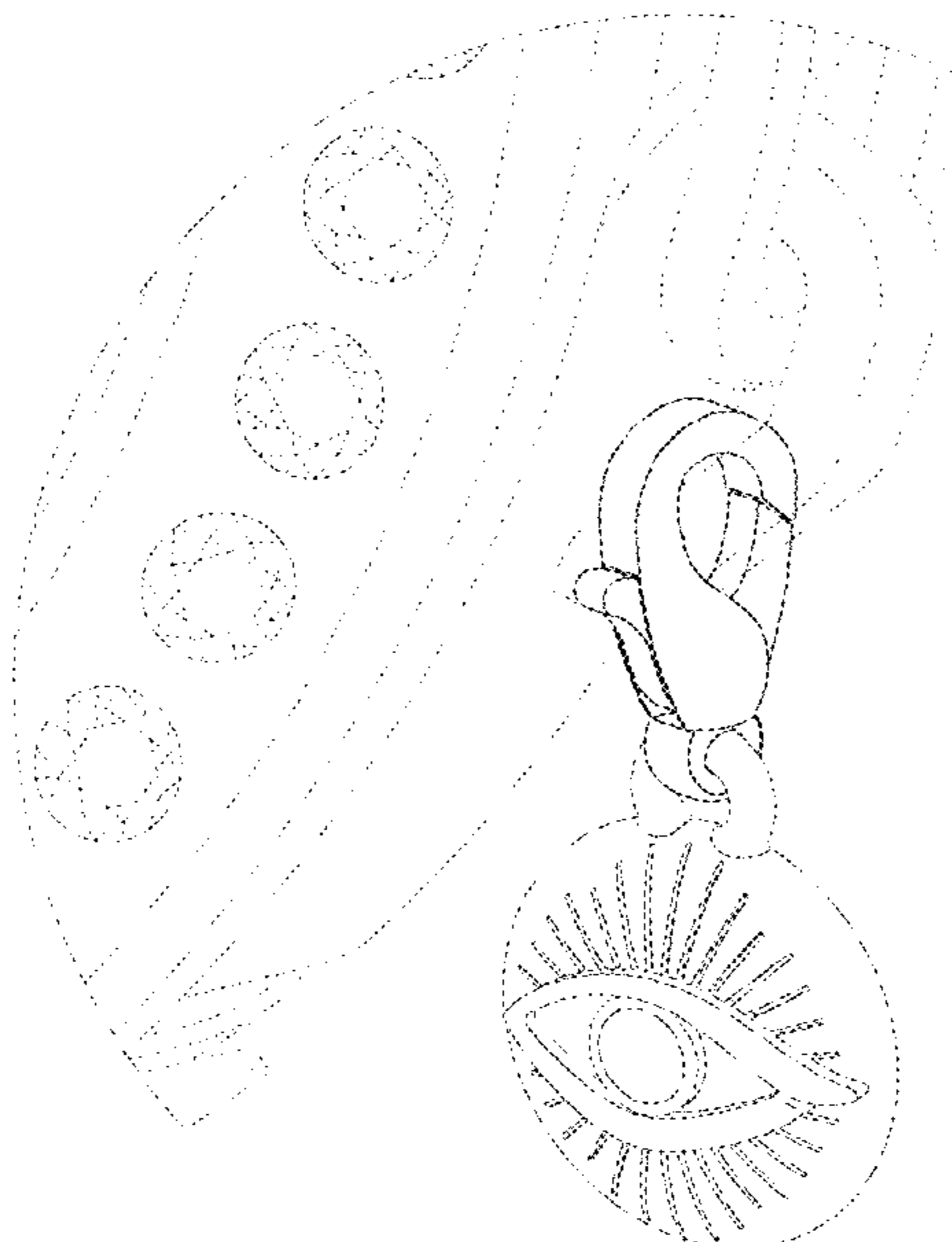
(57) **CLAIM**

The ornamental design for a charm, as shown and described.

**DESCRIPTION**

1. Charm  
Fig. 1.1 is a front view of a charm showing my new design;  
Fig. 1.2 is a back view thereof;  
Fig. 1.3 is a top view thereof;  
Fig. 1.4 is a bottom view thereof;  
Fig. 1.5 is a left side view thereof;  
Fig. 1.6 is a right side view thereof;  
Fig. 1.7 is a front right side perspective view thereof; and  
Fig. 1.8 is a back left side perspective view thereof.  
The broken lines showing the jewelry/watch are for the purpose of illustrating environmental structure and form no part of the claimed design.

**1 Claim, 8 Drawing Sheets**



(56)

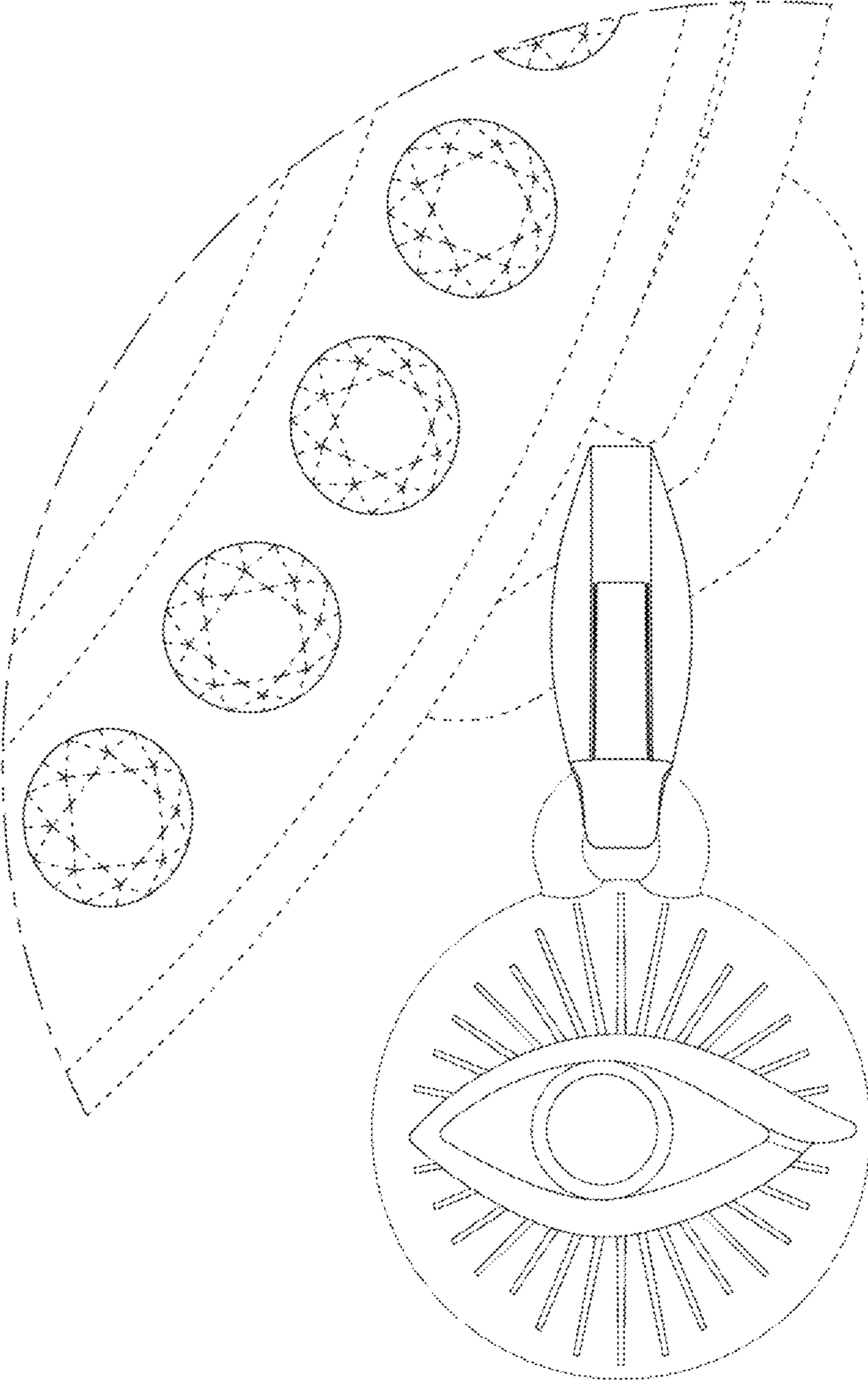
**References Cited**

OTHER PUBLICATIONS

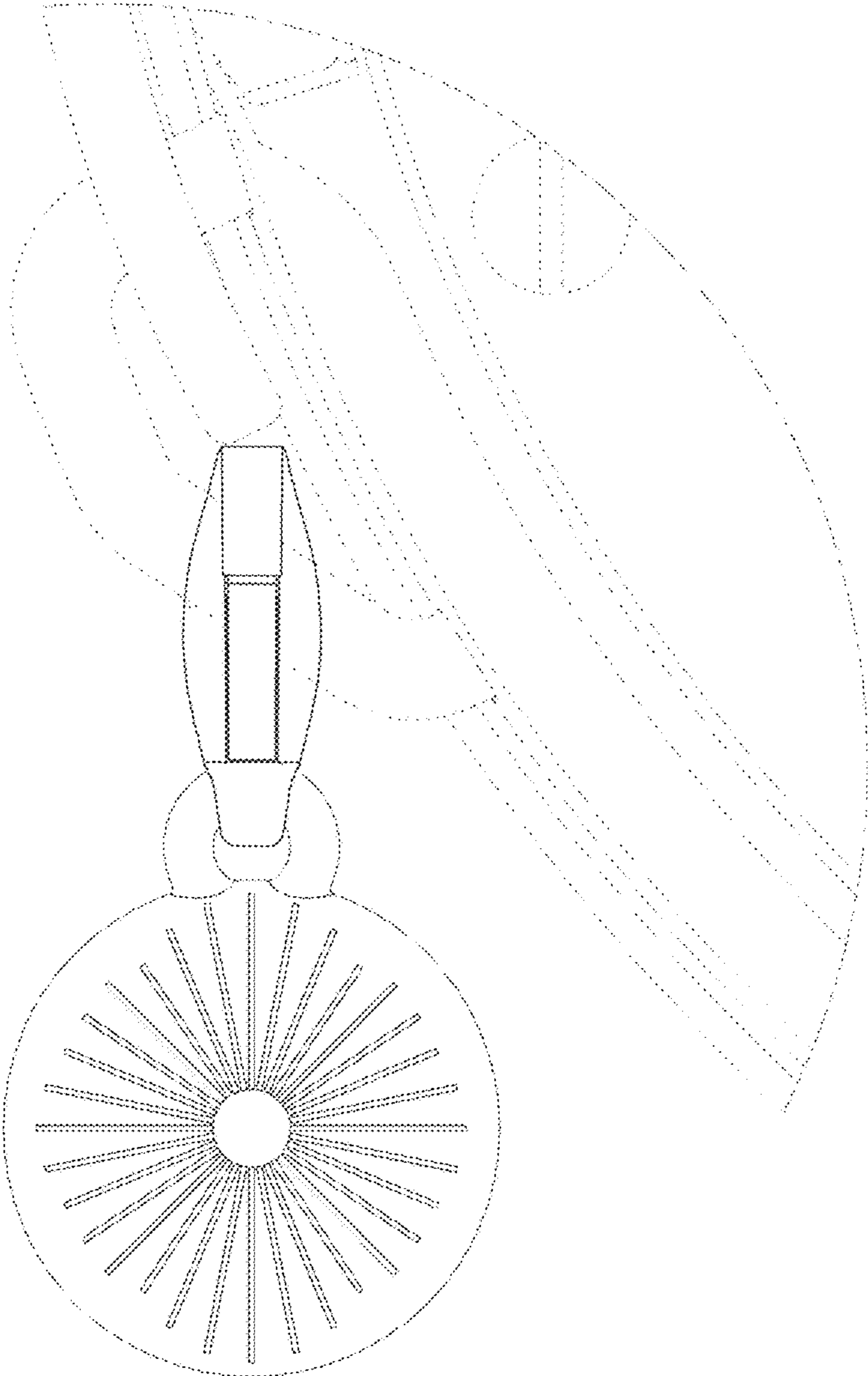
DanLingJewelry 10 pcs Golden Lucky Eye Charms, available Mar. 25, 2021, online, site visited Sep. 23, 2022. Available online, URL: <https://www.amazon.com/DanLingJewelry-Golden-Zirconia-Jewelry-15x13mm/dp/B08F3F17VV/> (Year: 2021).\*

\* cited by examiner

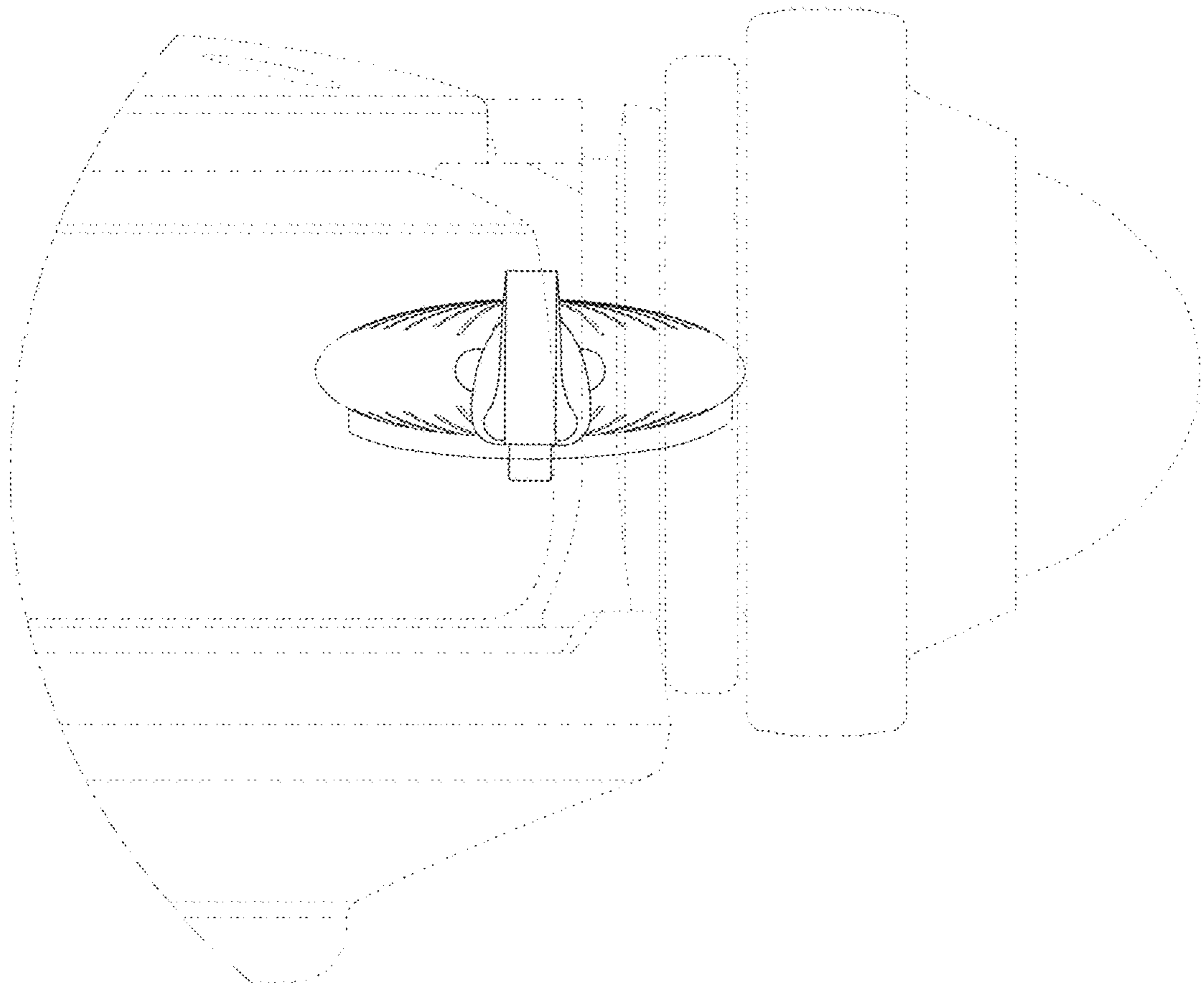
1.1



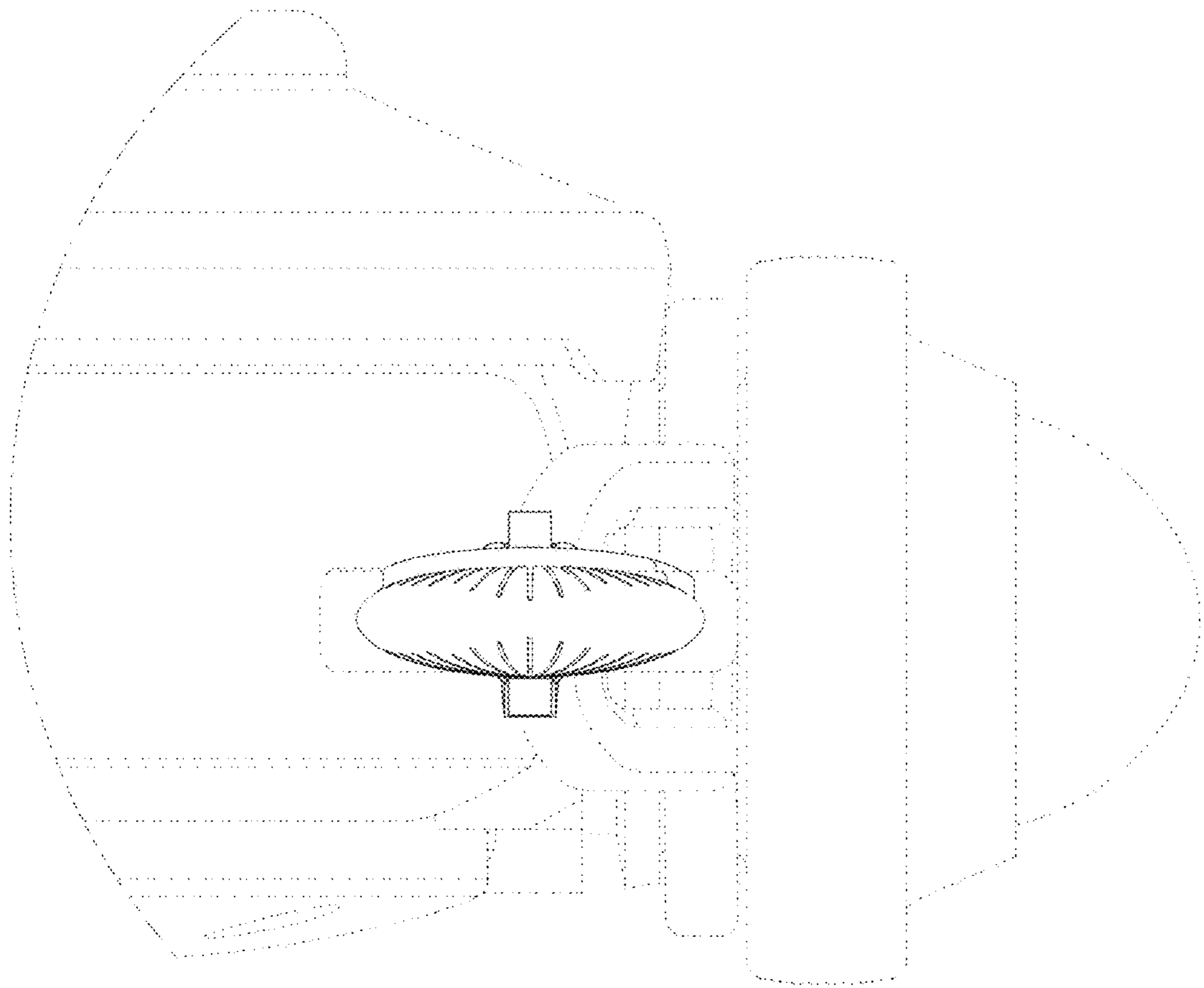
1.2



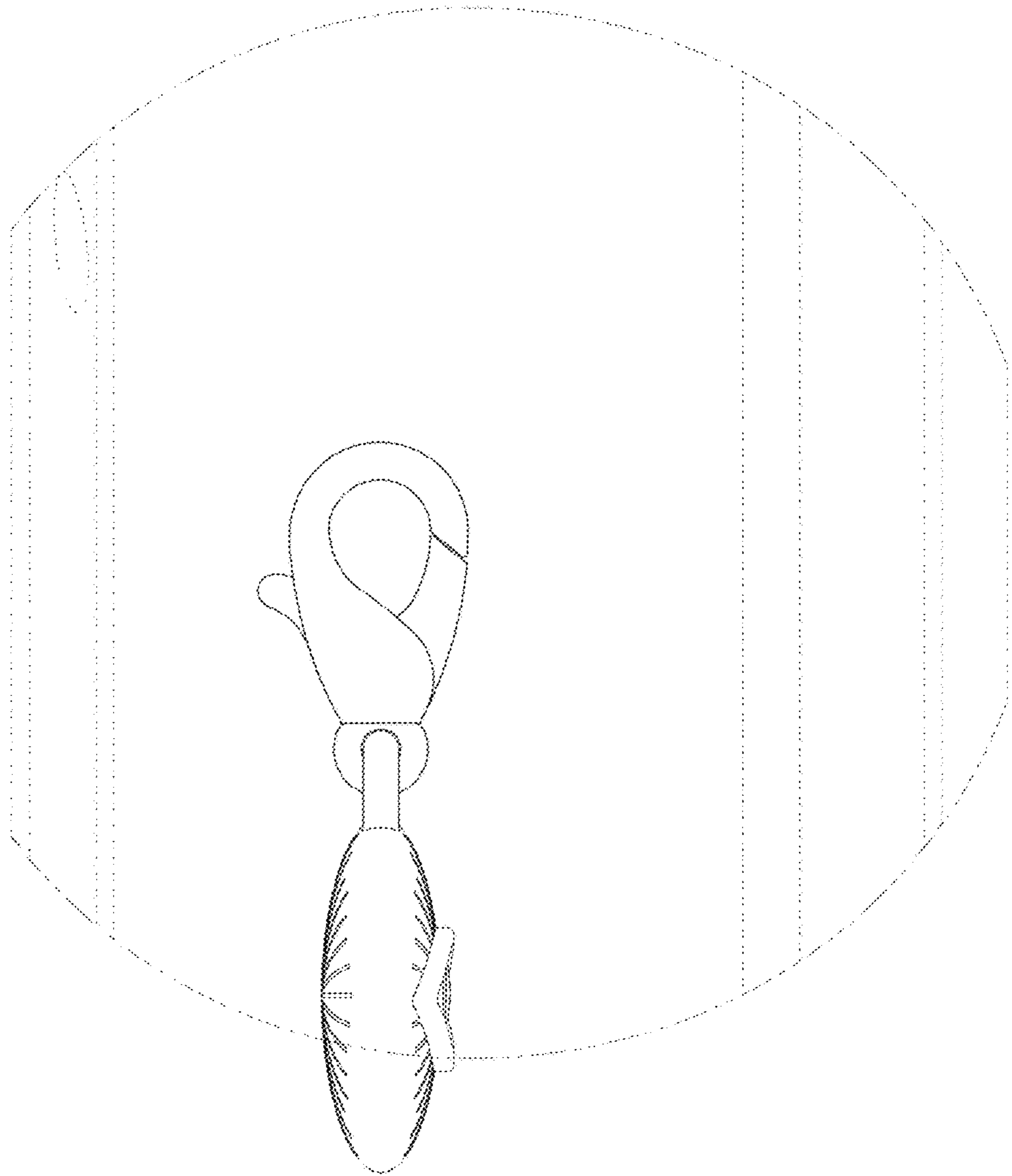
1.3



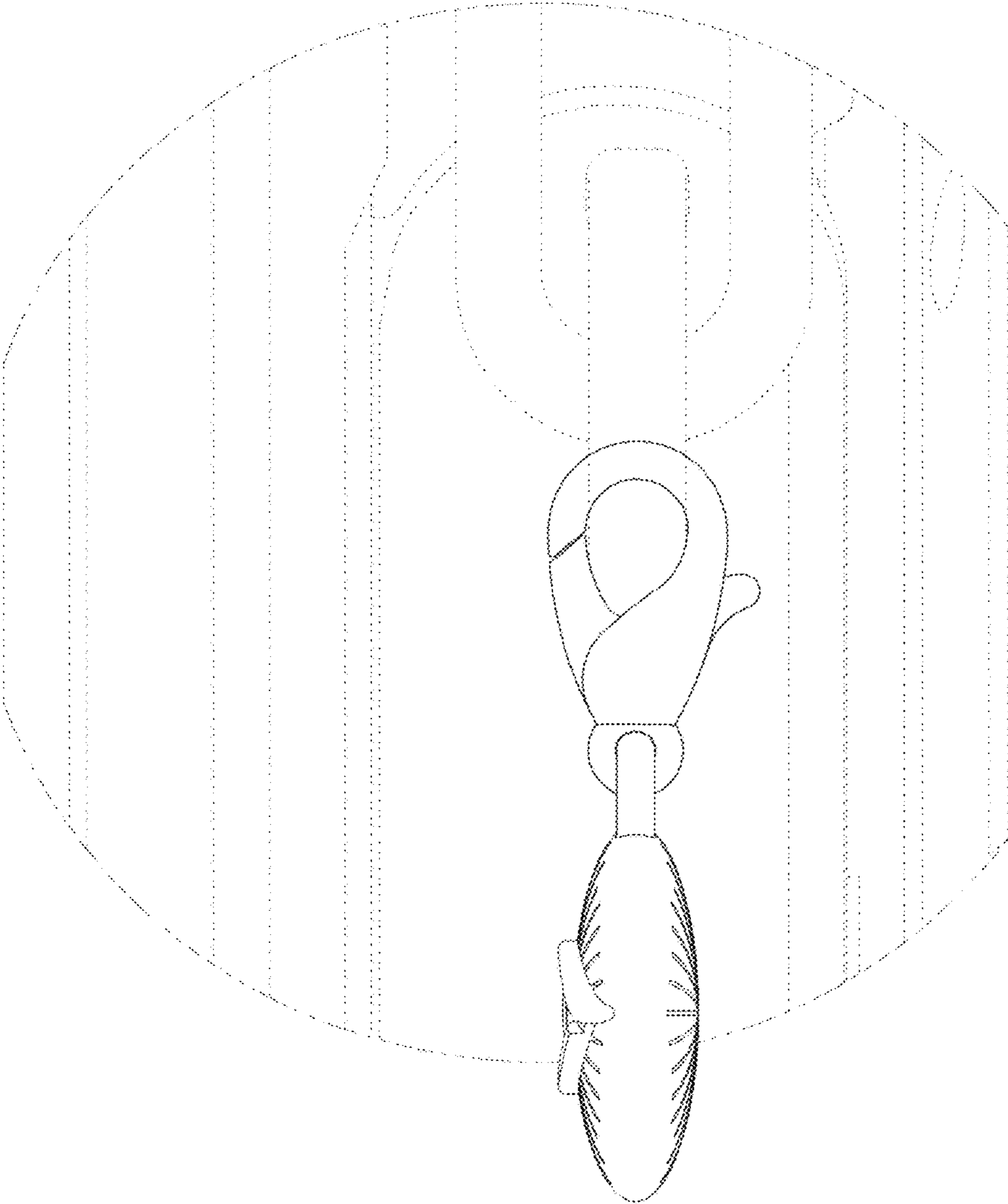
1.4



1.5

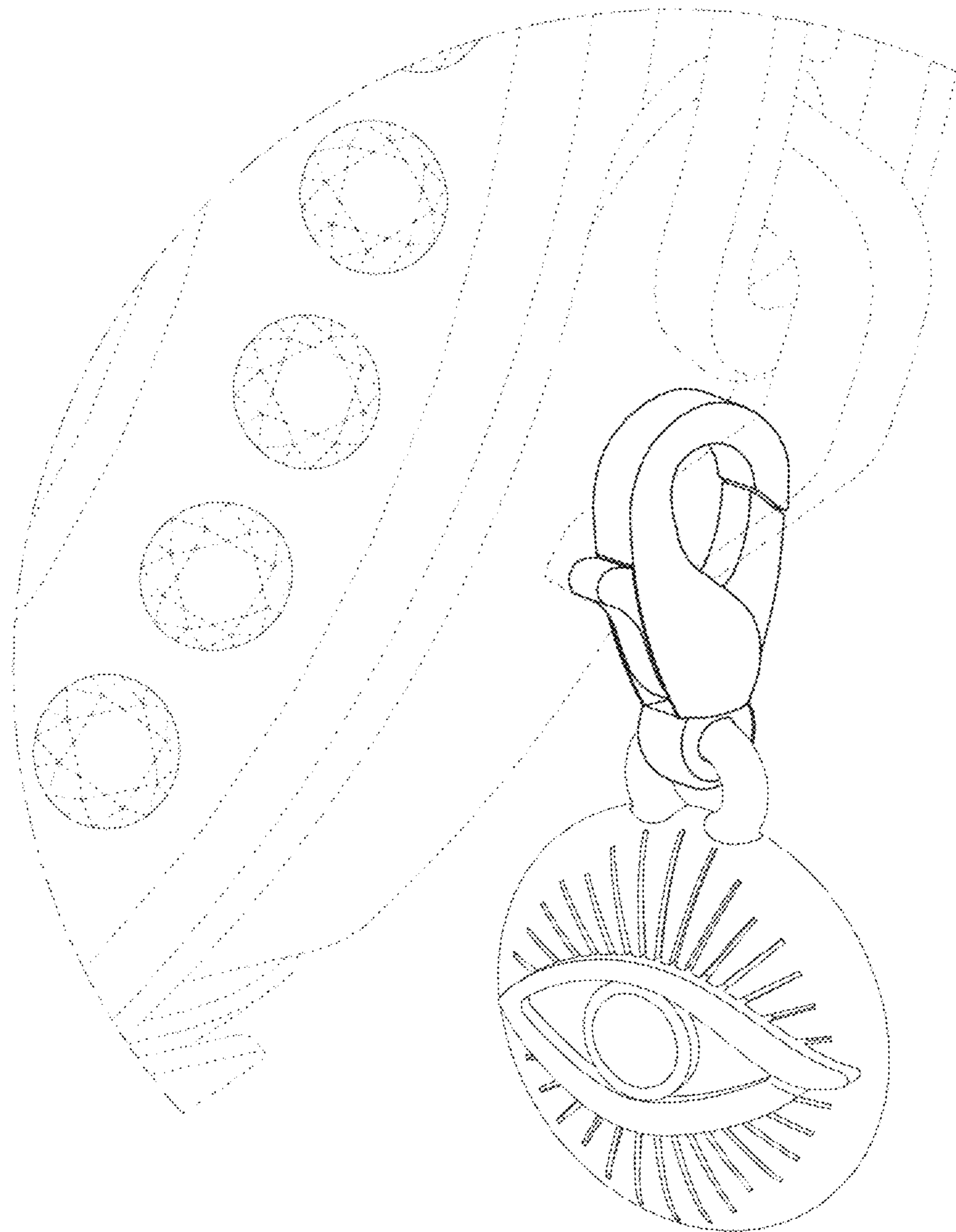


1.6





1.7



1.8

