



US00D981898S

(12) **United States Design Patent**  
**Sebag**

(10) **Patent No.:** **US D981,898 S**  
(45) **Date of Patent:** **\*\* Mar. 28, 2023**

(54) **CHARM**

FOREIGN PATENT DOCUMENTS

(71) Applicant: **Cartier International AG**, Steinhausen (CH)

HK 2219558-0001 \* 5/2022

(72) Inventor: **Violaine Sebag**, Saint-Mande (FR)

OTHER PUBLICATIONS

(\*\*) Term: **15 Years**

Cartier 2C Baby Charm Pendants, available Sep. 13, 2022, online, site visited Sep. 13, 2022. Available online, URL: <https://www.openforvintage.com/us/cartier-2c-baby-charm-pendants-top-k18-white-gold-ladies-cartier> (Year: 2022).\*

(21) Appl. No.: **35/514,128**

Cartier Baby Charm Pendant, available Sep. 13, 2022, online, site visited Sep. 13, 2022. Available online, URL: <https://www.ebay.com/itm/334537237223?hash=item4de3f922e7:g:pzgAAOSwgrljAA35> (Year: 2022).\*

(22) Filed: **Feb. 26, 2022**

(80) **Hague Agreement Data**

Int. Filing Date: **Feb. 26, 2022**  
Int. Reg. No.: **DM/219376**  
Int. Reg. Date: **Feb. 26, 2022**  
Int. Reg. Pub. Date: **Apr. 29, 2022**

\* cited by examiner

*Primary Examiner* — W. A. Teddy Falloway  
*Assistant Examiner* — Sarah J Ault

(51) **LOC (14) Cl.** ..... **11-01**

(52) **U.S. Cl.**  
USPC ..... **D11/79**

(57) **CLAIM**

The ornamental design for a charm, as shown and described.

(58) **Field of Classification Search**  
USPC ..... D11/7-8, 40-86, 207-211  
CPC ..... A44C 7/002; A44C 7/003; A44C 7/004;  
A44C 7/005; A44C 7/009; A44C 25/001;  
A44C 25/002; A44C 25/004; A44C  
25/005; A44C 25/007; A44C 25/008  
See application file for complete search history.

**DESCRIPTION**

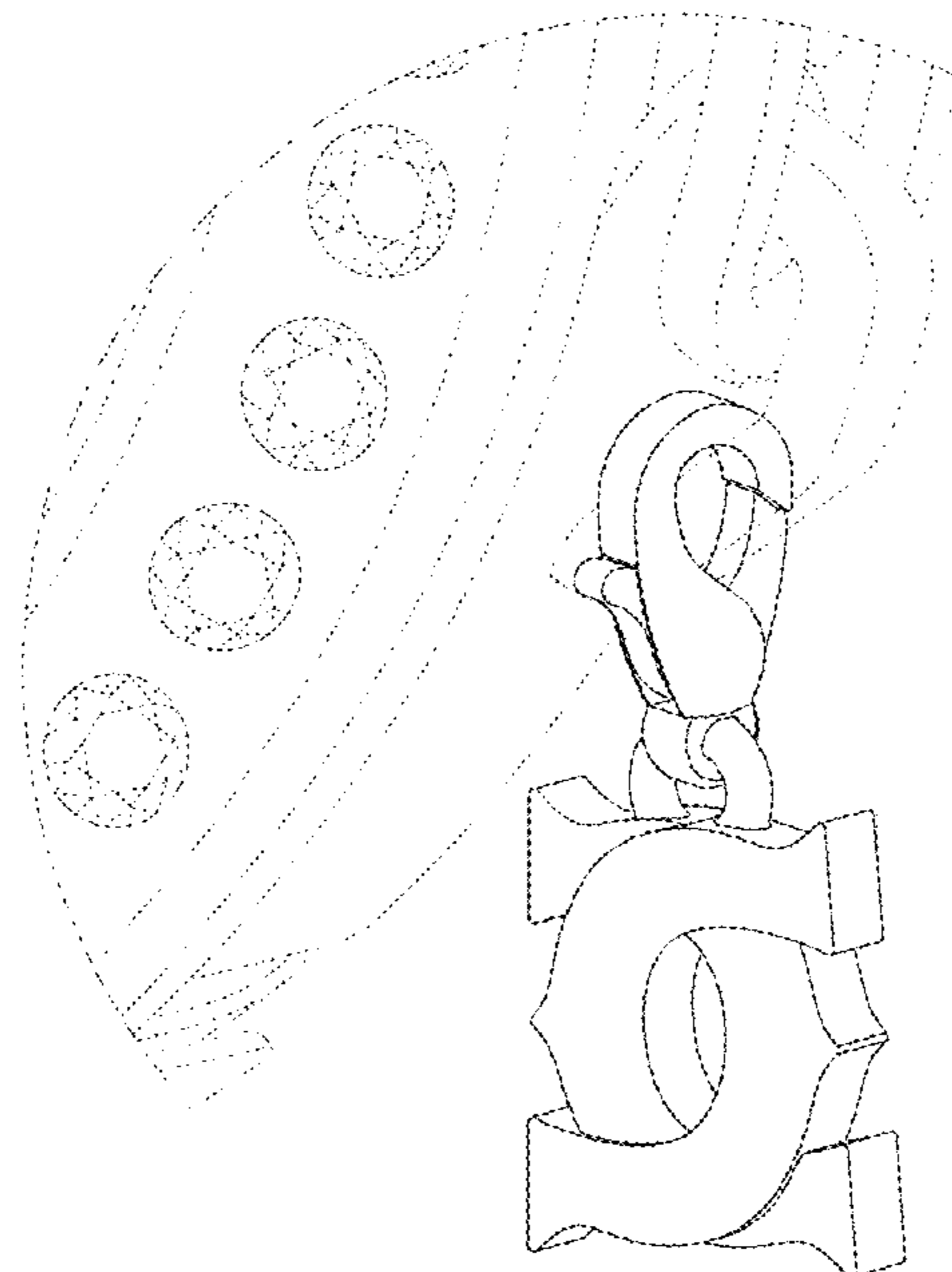
1. Charm  
Fig. 1.1 is a front view of a charm showing my new design;  
Fig. 1.2 is a back view thereof;  
Fig. 1.3 is a top view thereof;  
Fig. 1.4 is a bottom view thereof;  
Fig. 1.5 is a right side view thereof;  
Fig. 1.6 is a left side view thereof;  
Fig. 1.7 is a front right side perspective view thereof; and  
Fig. 1.8 is a back left side perspective view thereof.  
The broken lines showing the jewelry/watch are for the purpose of illustrating environmental structure and form no part of the claimed design.

(56) **References Cited**

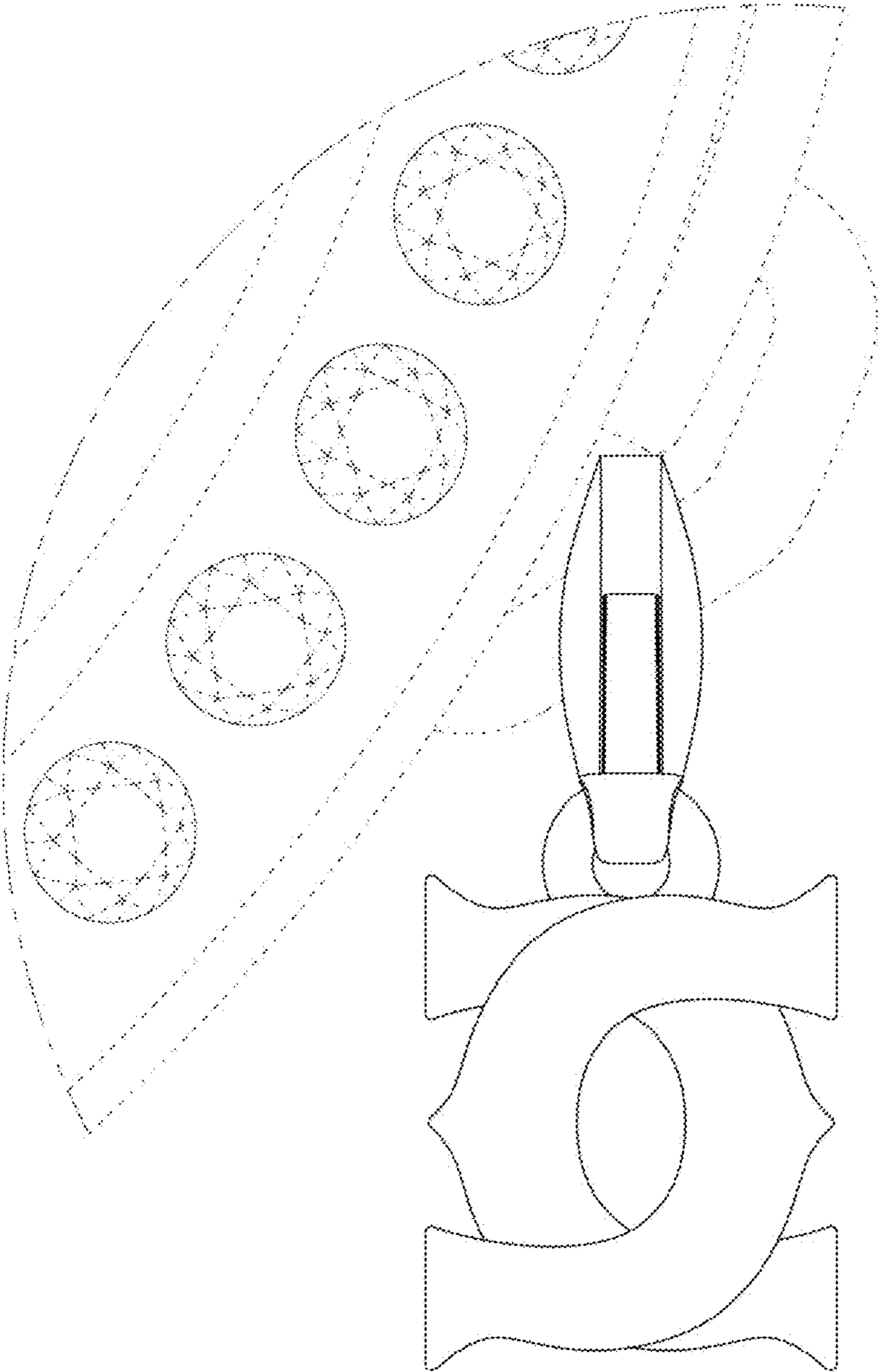
U.S. PATENT DOCUMENTS

D244,080 S *	4/1977	Perrin	.....	D8/338
D489,888 S *	5/2004	Opolka	.....	D3/207
D640,867 S *	7/2011	DiStefano	.....	D3/208
D794,556 S *	8/2017	Liao	.....	D3/208
D944,518 S *	3/2022	Colin	.....	D3/243
D944,526 S *	3/2022	Colin	.....	D3/318
D955,018 S *	6/2022	De Paoli Chiarlo	.....	D26/37

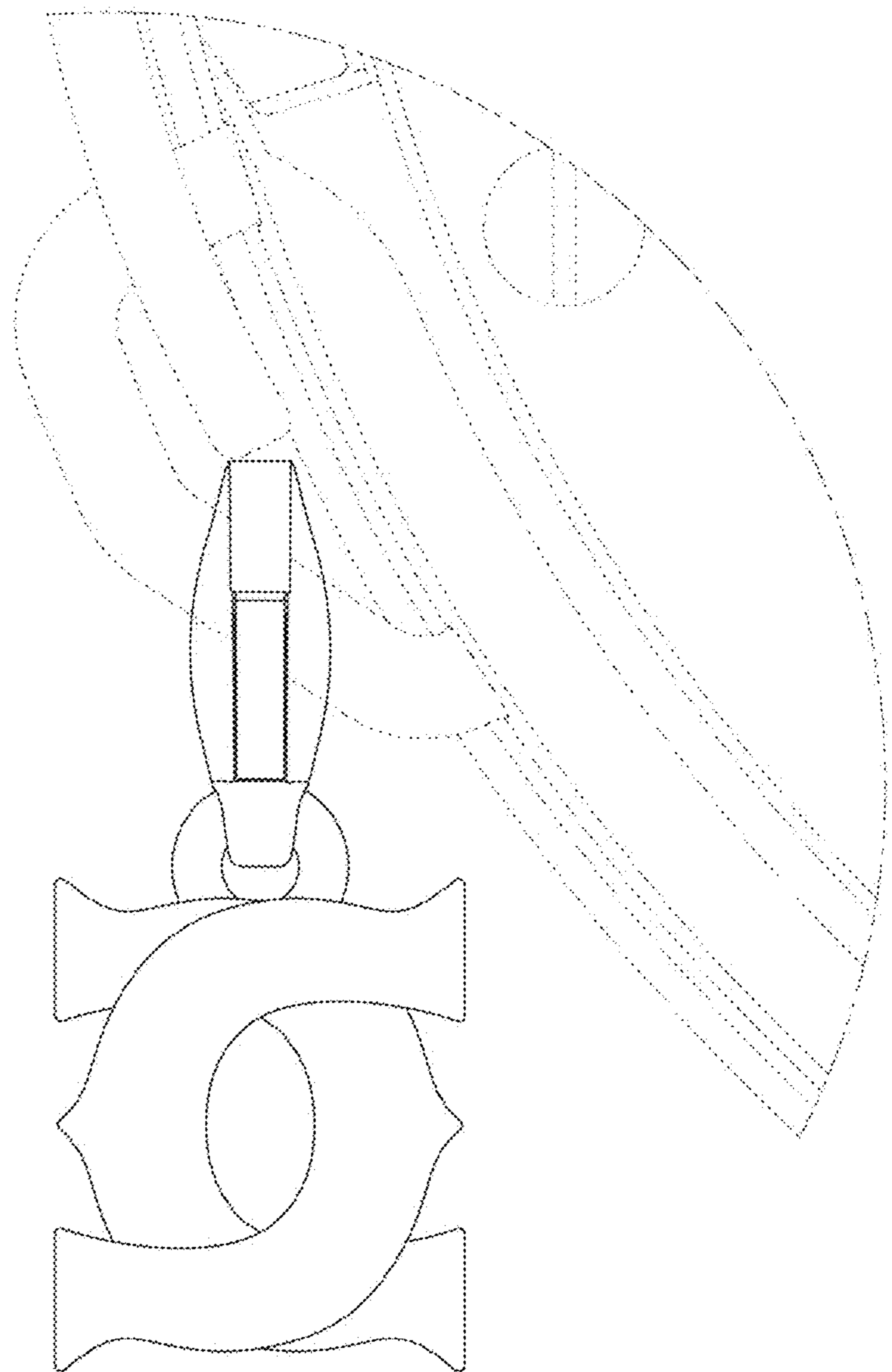
**1 Claim, 8 Drawing Sheets**



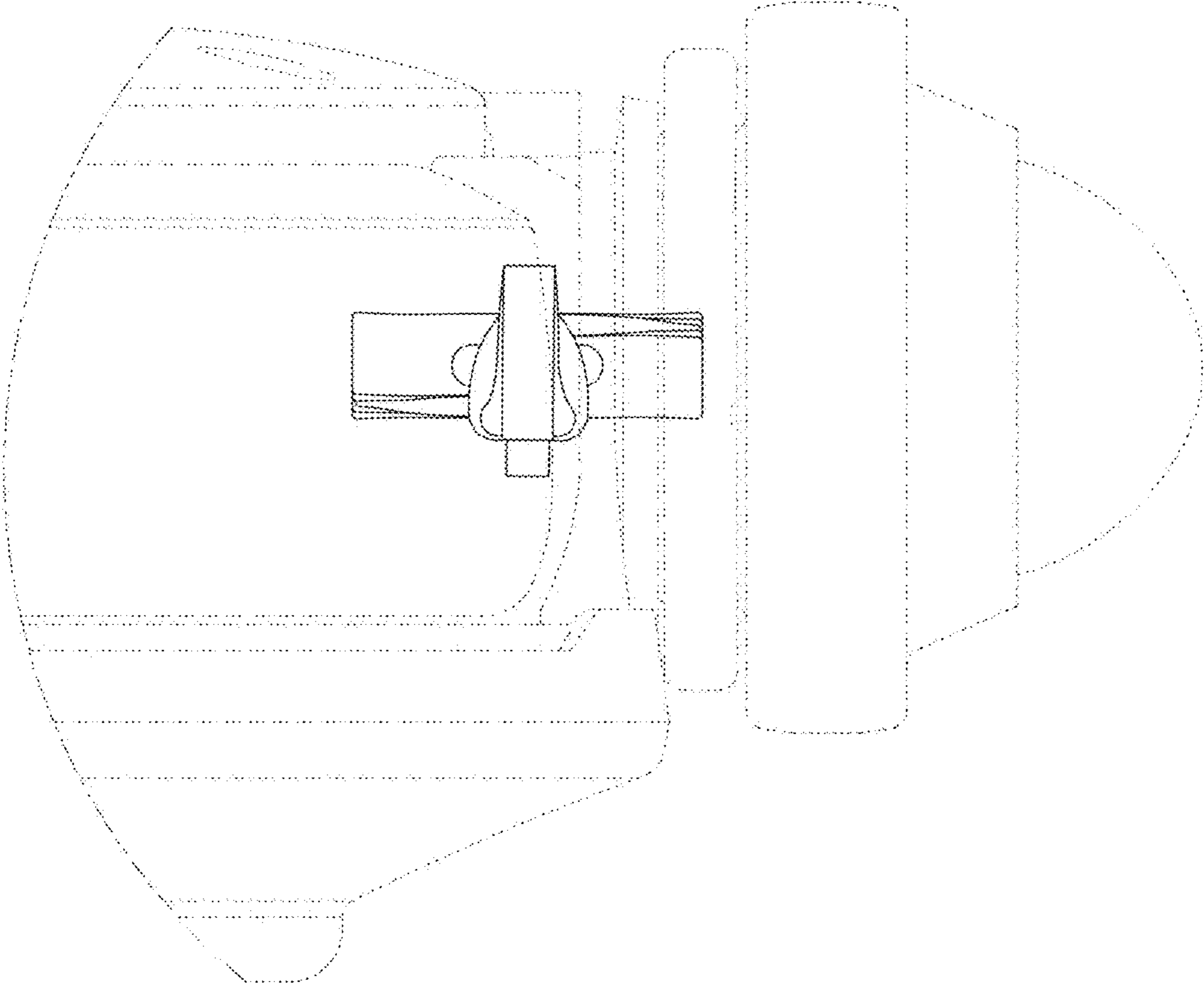
1.1



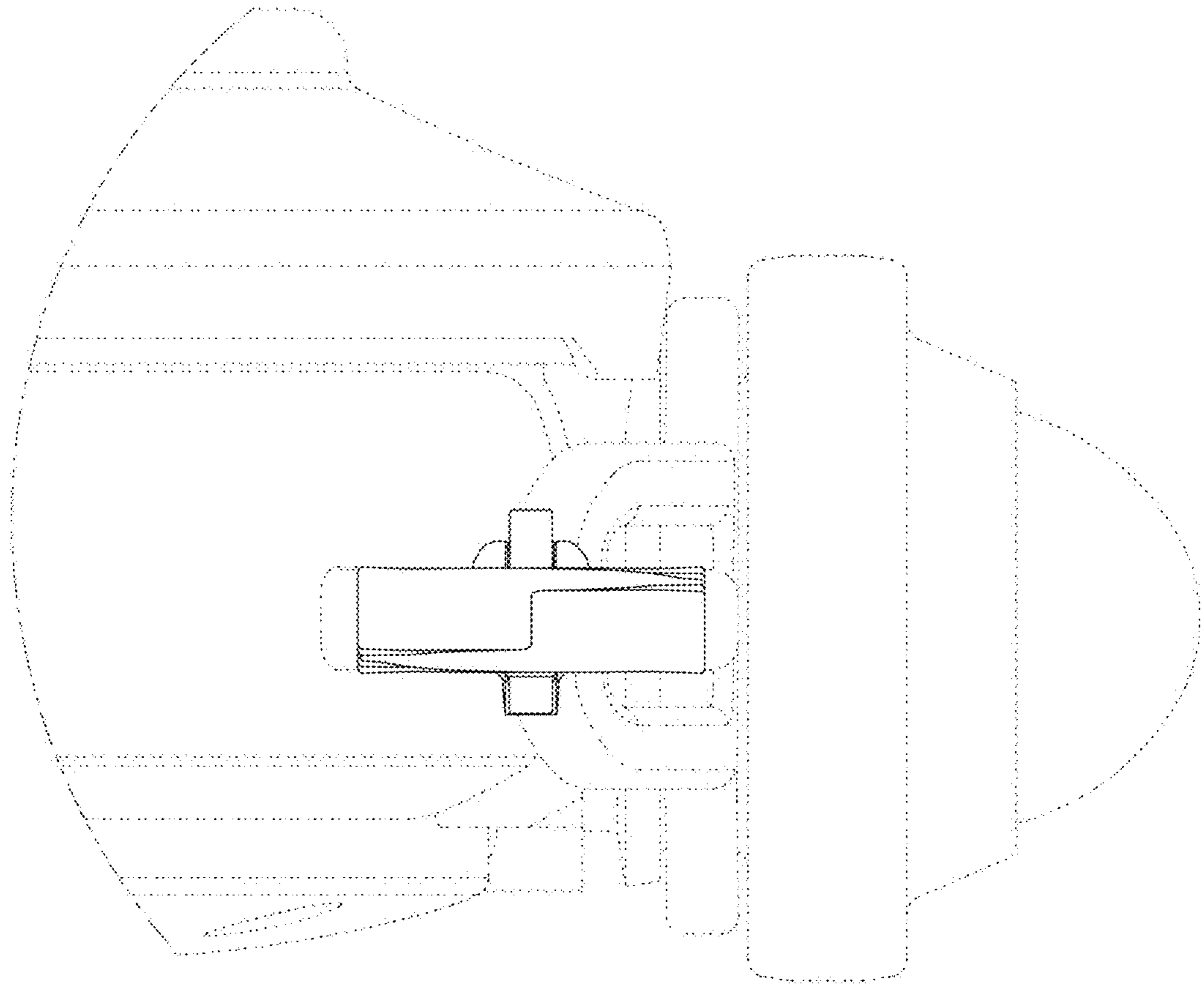
1.2



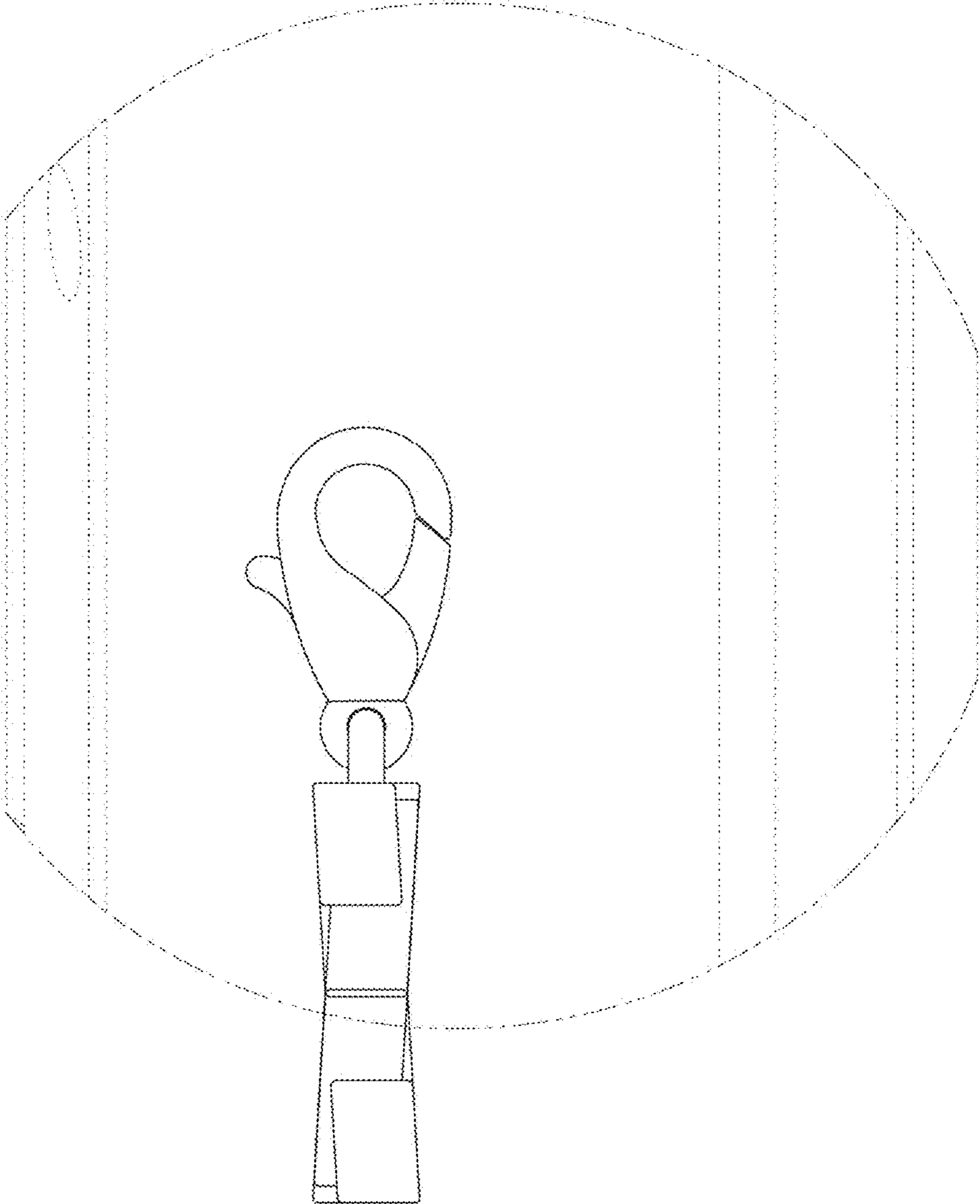
1.3



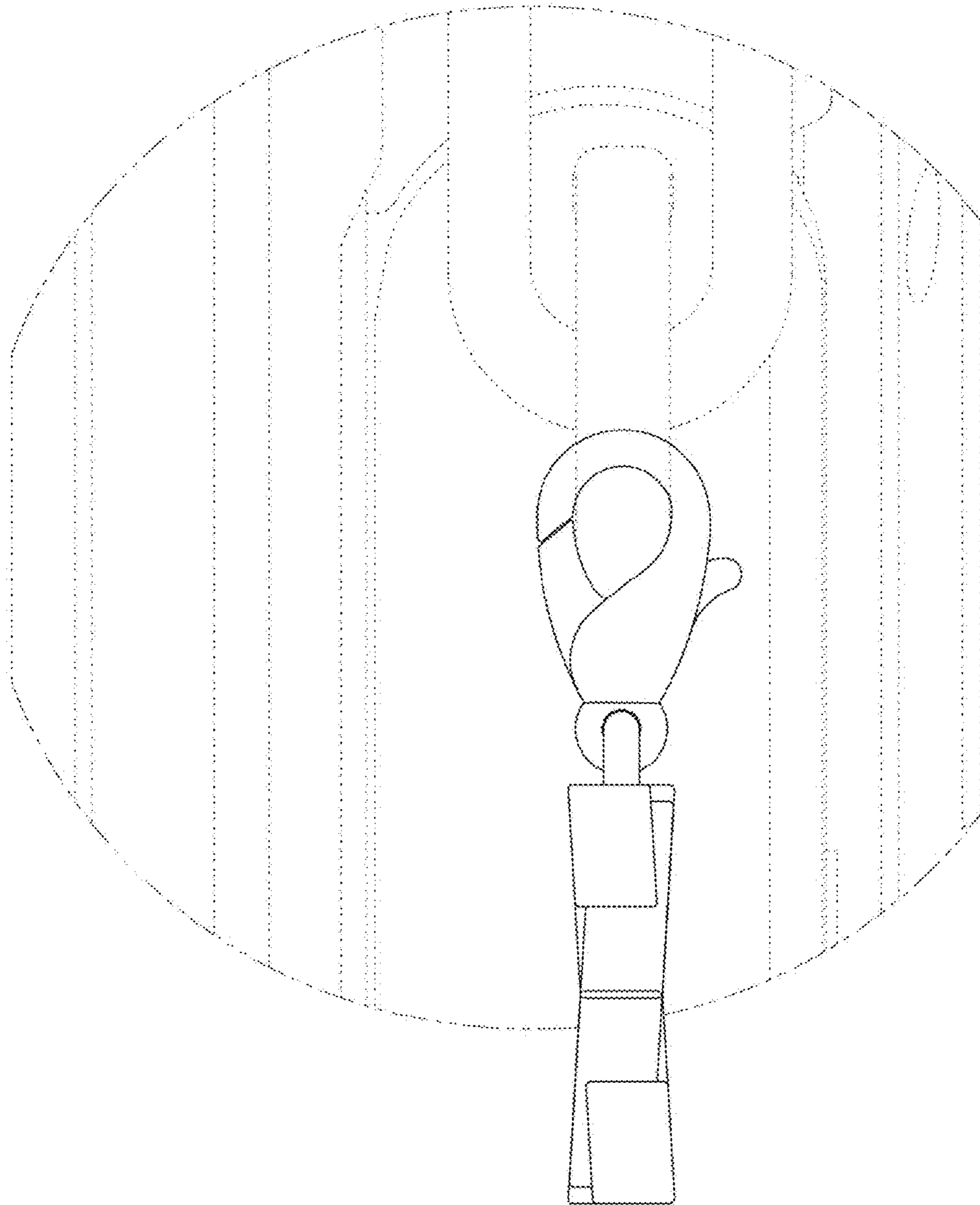
1.4



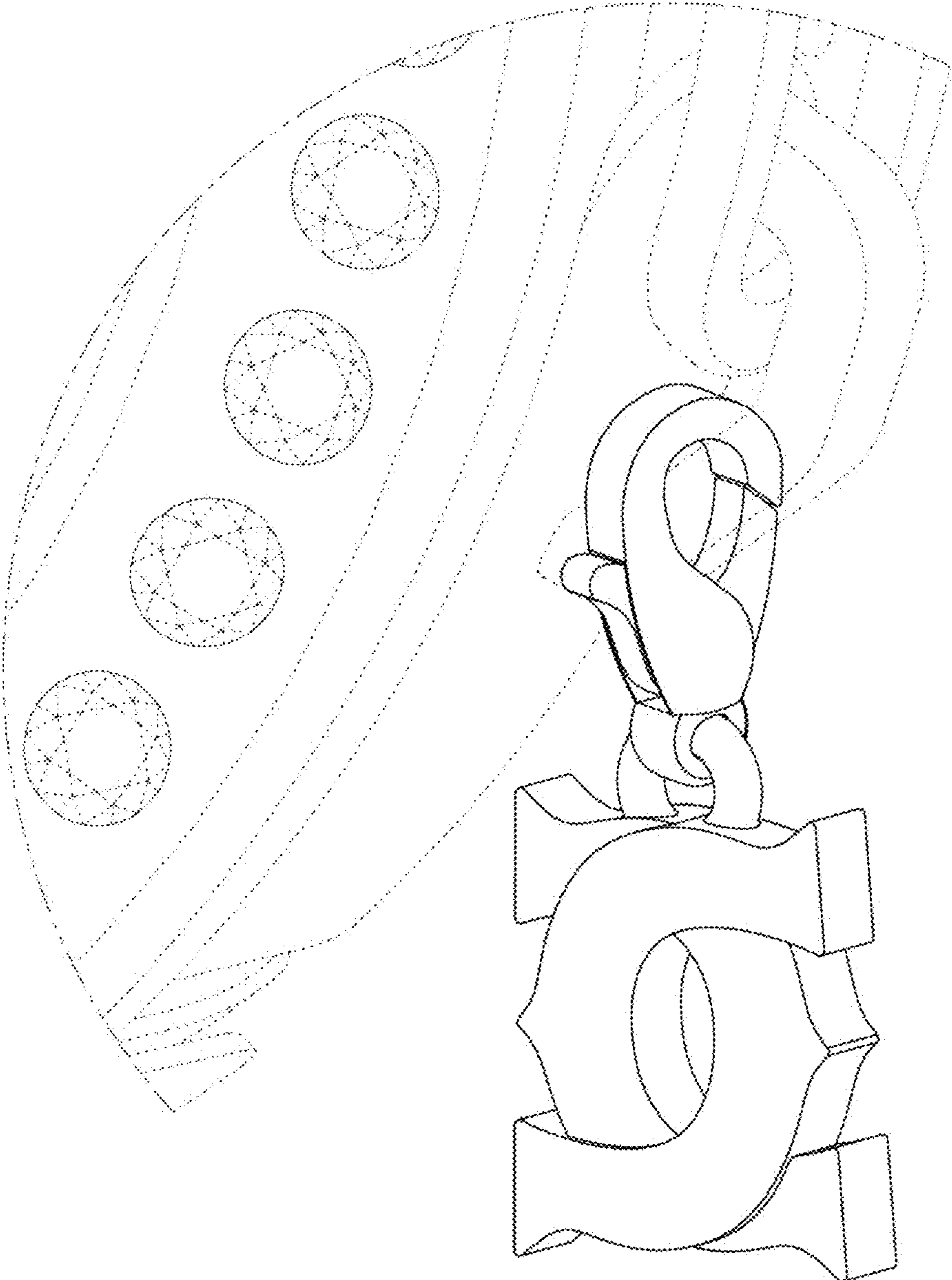
1.5



1.6



1.7





1.8

