



US00D981896S

(12) **United States Design Patent**
Traglio

(10) **Patent No.:** **US D981,896 S**

(45) **Date of Patent:** **** Mar. 28, 2023**

- (54) **RING**
- (71) Applicant: **Vhernier S.p.A.**, Milan (IT)
- (72) Inventor: **Carlo Traglio**, Milan (IT)
- (73) Assignee: **Vhernier S.p.A.**, Milan (IT)
- (**) Term: **15 Years**

D630,541 S *	1/2011	Shimansky	D11/26
D630,964 S *	1/2011	Bulgari	D11/39
D631,382 S *	1/2011	Iacomucci	D11/26
D659,045 S *	5/2012	Fillon	D11/34
D663,649 S *	7/2012	Gruosi	D11/26
D689,788 S *	9/2013	Gruosi	D11/26
D691,912 S *	10/2013	Hardy	D11/34
D758,910 S *	6/2016	Rivière	D11/34
D794,494 S *	8/2017	Morin	D11/26
D794,495 S *	8/2017	Morin	D11/26

- (21) Appl. No.: **29/758,904**
- (22) Filed: **Nov. 19, 2020**

FOREIGN PATENT DOCUMENTS

EM	008431761-0008	*	2/2021
EM	008883276-0001	*	3/2022

(30) **Foreign Application Priority Data**

May 22, 2020 (WO) 970053937

- (51) **LOC (14) Cl.** **11-01**
- (52) **U.S. Cl.**
USPC **D11/27**
- (58) **Field of Classification Search**
USPC D11/26-30, 34-39
CPC A44C 9/00
See application file for complete search history.

OTHER PUBLICATIONS

925 Sterling Silver Curved Bar Design Wide Ring Size 5.5 | eBay
pp. 1-3 2022 <https://www.ebay.com/itm/203129650223?chn=ps&mkevt=1&mkcid=28> (Year: 2022).*

(Continued)

Primary Examiner — Kevin K Rudzinski
Assistant Examiner — Evans David Delesline
(74) *Attorney, Agent, or Firm* — Reising Ethington P.C.

(56) **References Cited**

U.S. PATENT DOCUMENTS

D149,784 S *	6/1948	Anderson	63/15
D157,454 S *	2/1950	Wheeler	D11/26
D244,589 S *	6/1977	Rosenfeld	D11/27
D257,022 S *	9/1980	Barr	D11/39
D384,381 S *	9/1997	Reilly	D21/683
D399,779 S *	10/1998	Bulgari	D11/29
D424,967 S *	5/2000	Perrin	D11/28
D434,688 S *	12/2000	Bulgari	D11/26
D502,423 S *	3/2005	Reed	D11/30
D601,054 S *	9/2009	Sivriere	D11/26
D625,217 S *	10/2010	Hardy	D11/26
D626,025 S *	10/2010	Iacomucci	D11/26

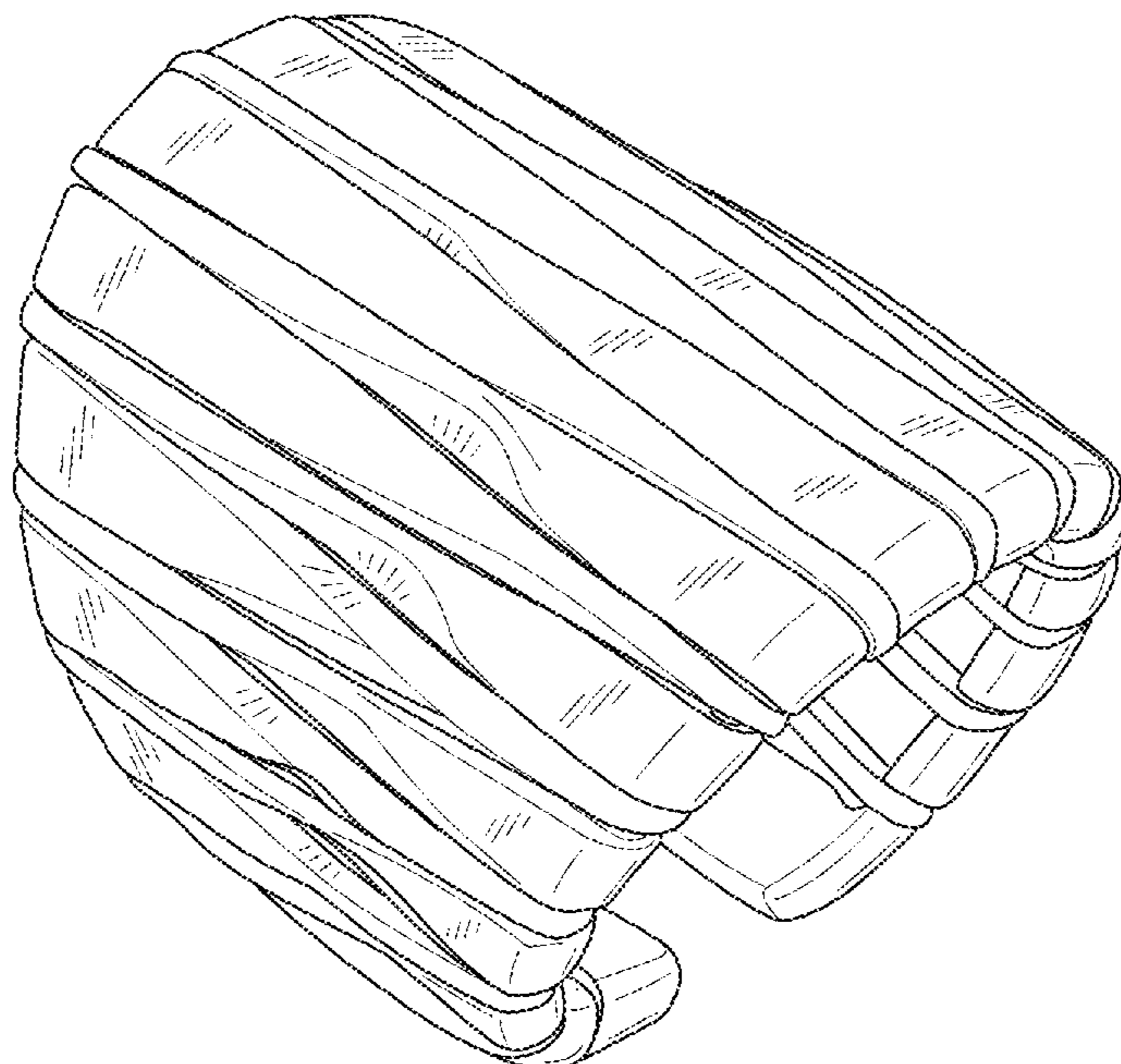
(57) **CLAIM**

The ornamental design for a ring, as shown and described.

DESCRIPTION

FIG. 1 is a perspective view of the ring.
FIG. 2 is a left side view of the ring;
FIG. 3 is a right side view of the ring;
FIG. 4 is a top view of the ring;
FIG. 5 is a bottom view of the ring;
FIG. 6 is a front view of the ring; and,
FIG. 7 is a rear view of the ring.

1 Claim, 4 Drawing Sheets



(56)

References Cited

OTHER PUBLICATIONS

Bubble Dome Statement Ring—Sterling Forever pp. 1-11 2021
<https://www.sterlingforever.com/products/bubble-dome-statement-ring?variant=40160103727267> (Year: 2021).*

Yellow Gold Vermeil Quill Wrap Ring—Shaun Leane pp. 1-5 2022
<https://shaunleane.com/products/yellow-gold-vermeil-quill-wrap-ring?variant=30292477444234¤cy=USD> (Year: 2022).*

* cited by examiner

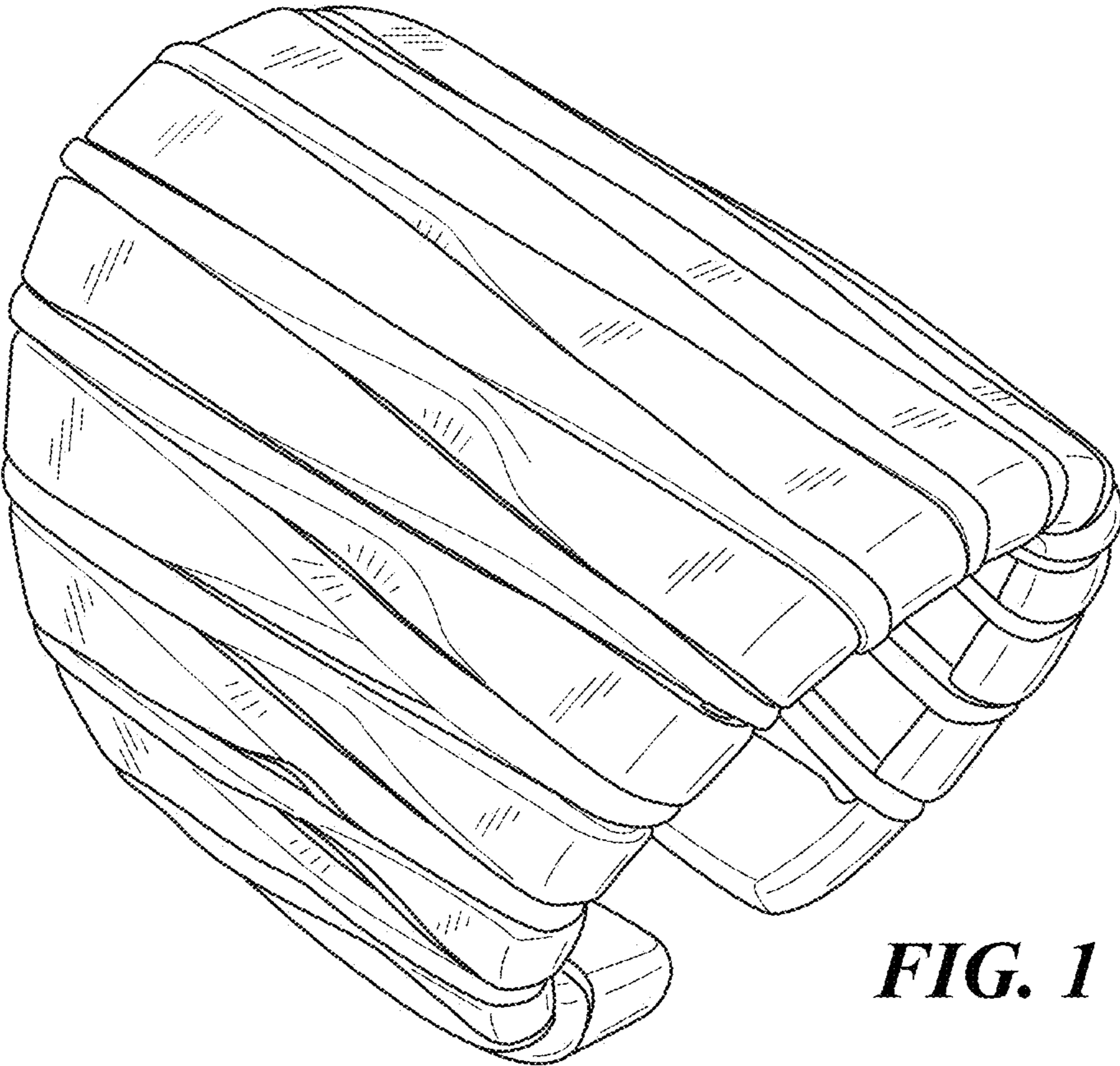


FIG. 1

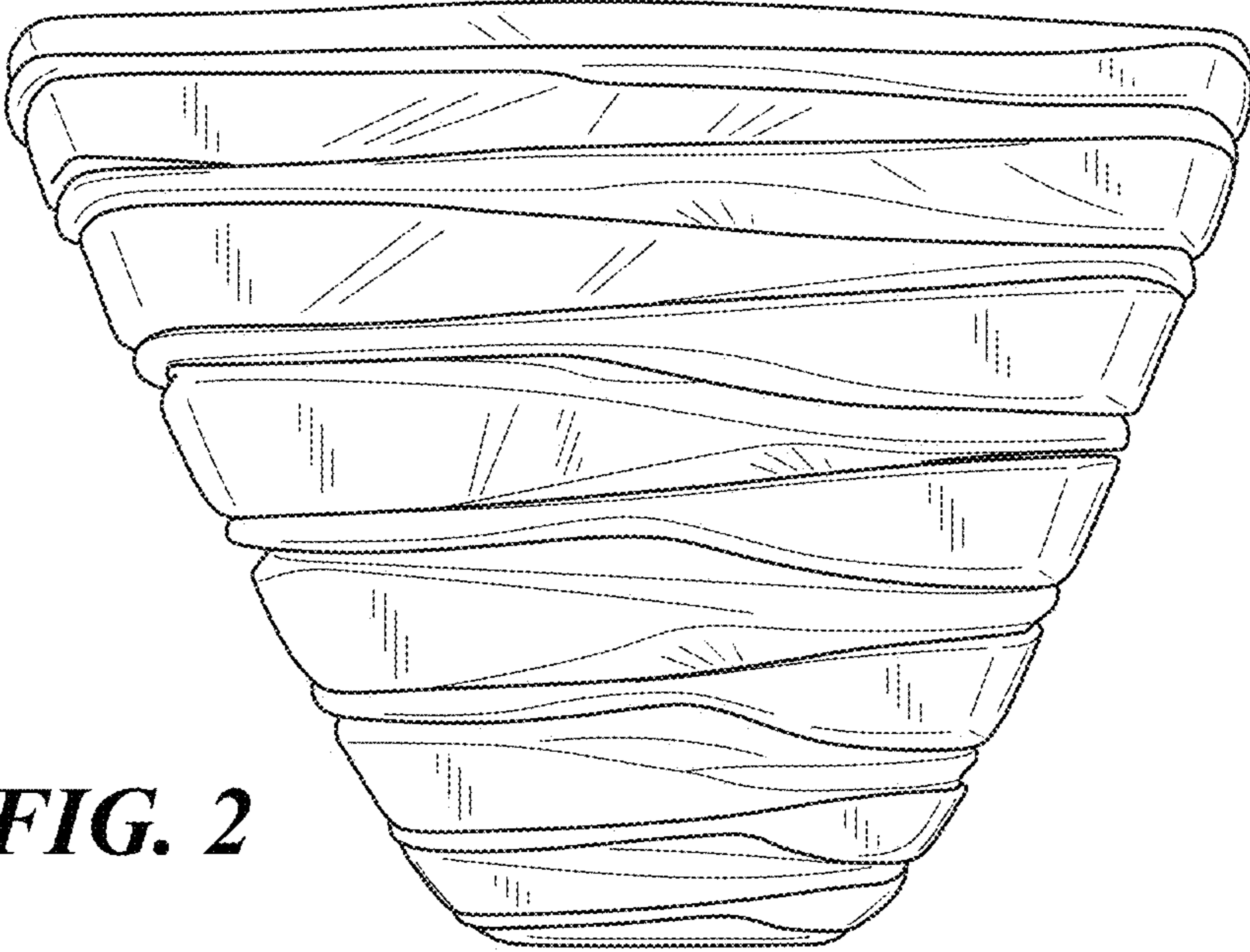


FIG. 2



FIG. 3

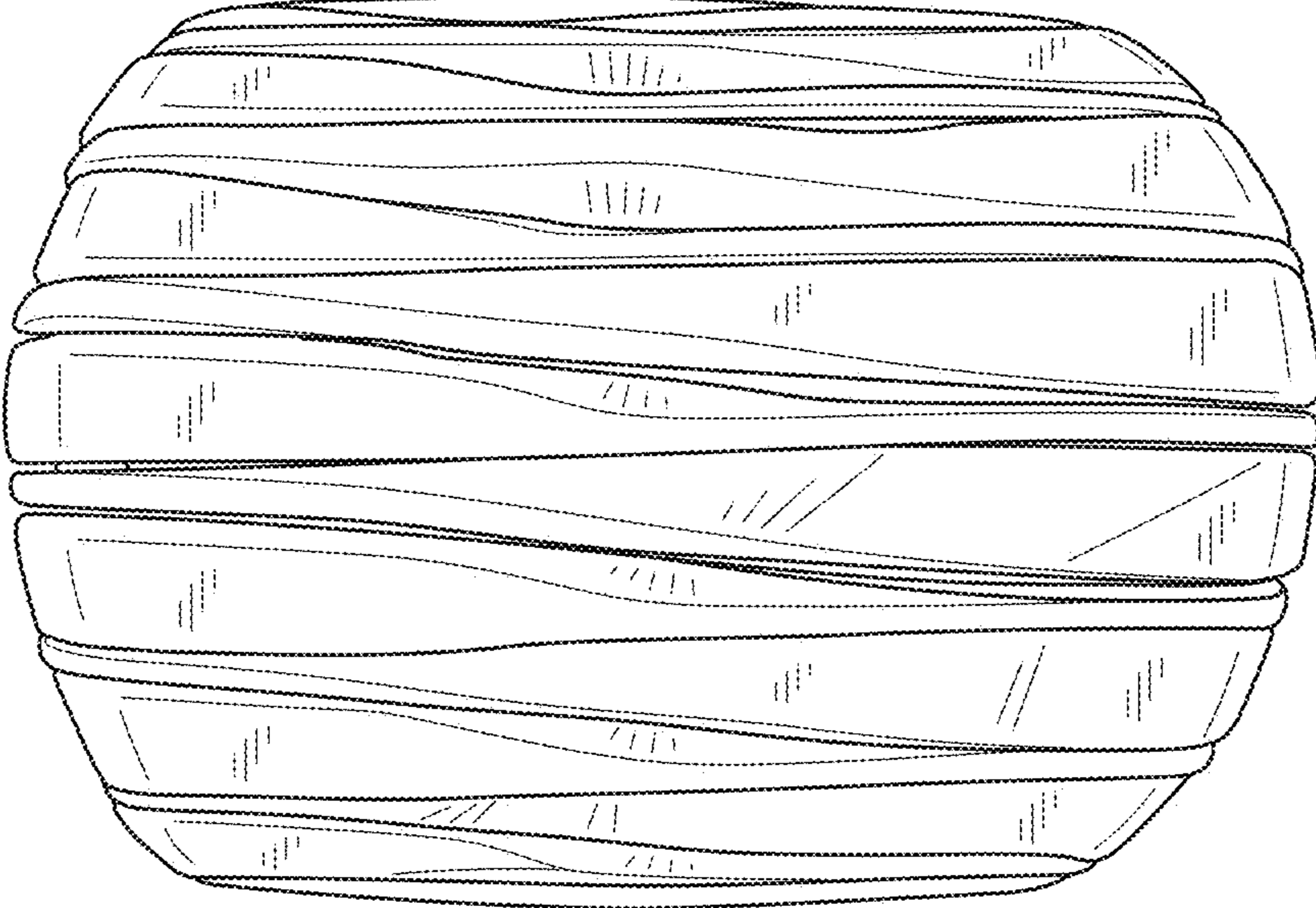


FIG. 4

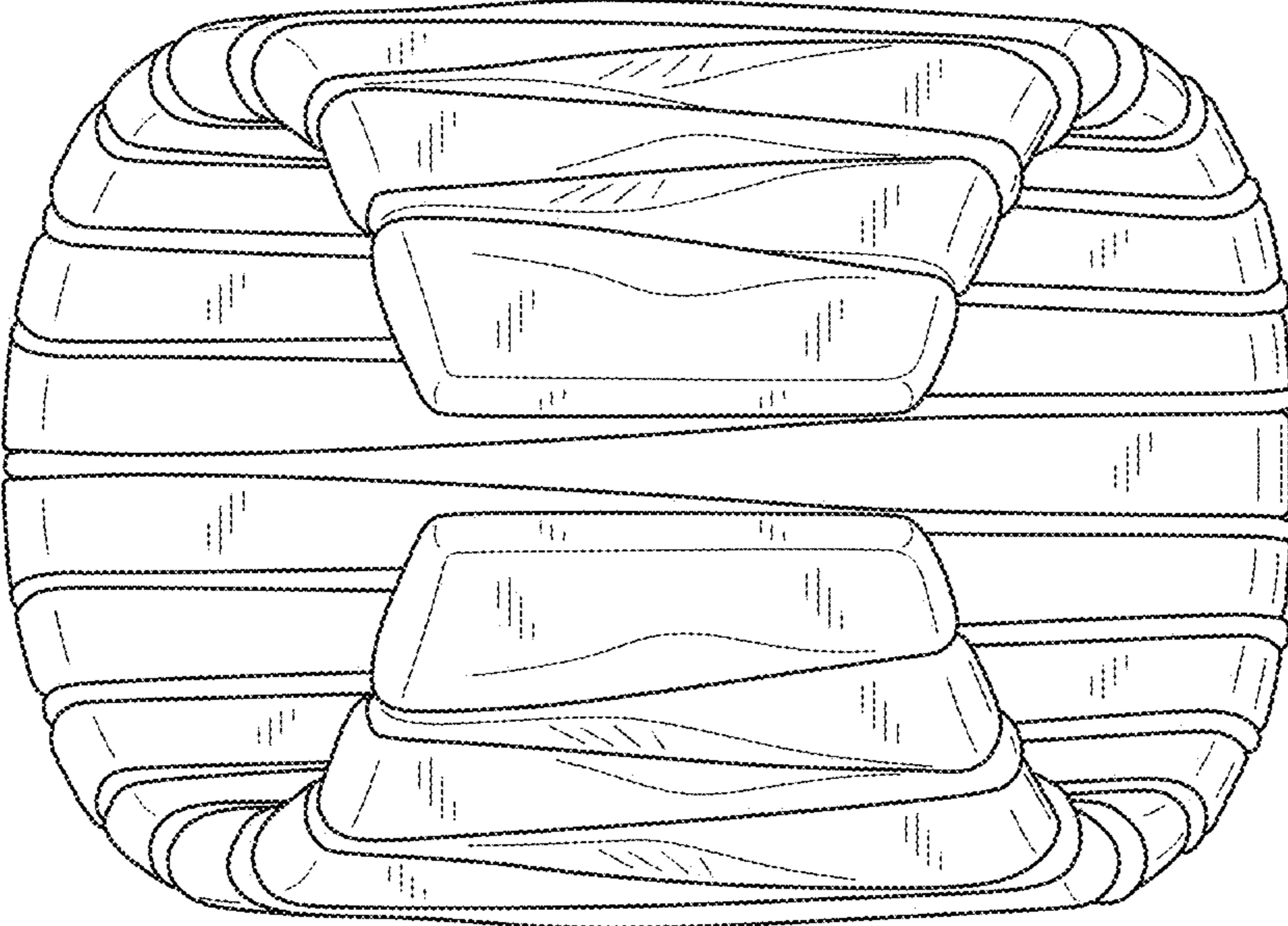


FIG. 5

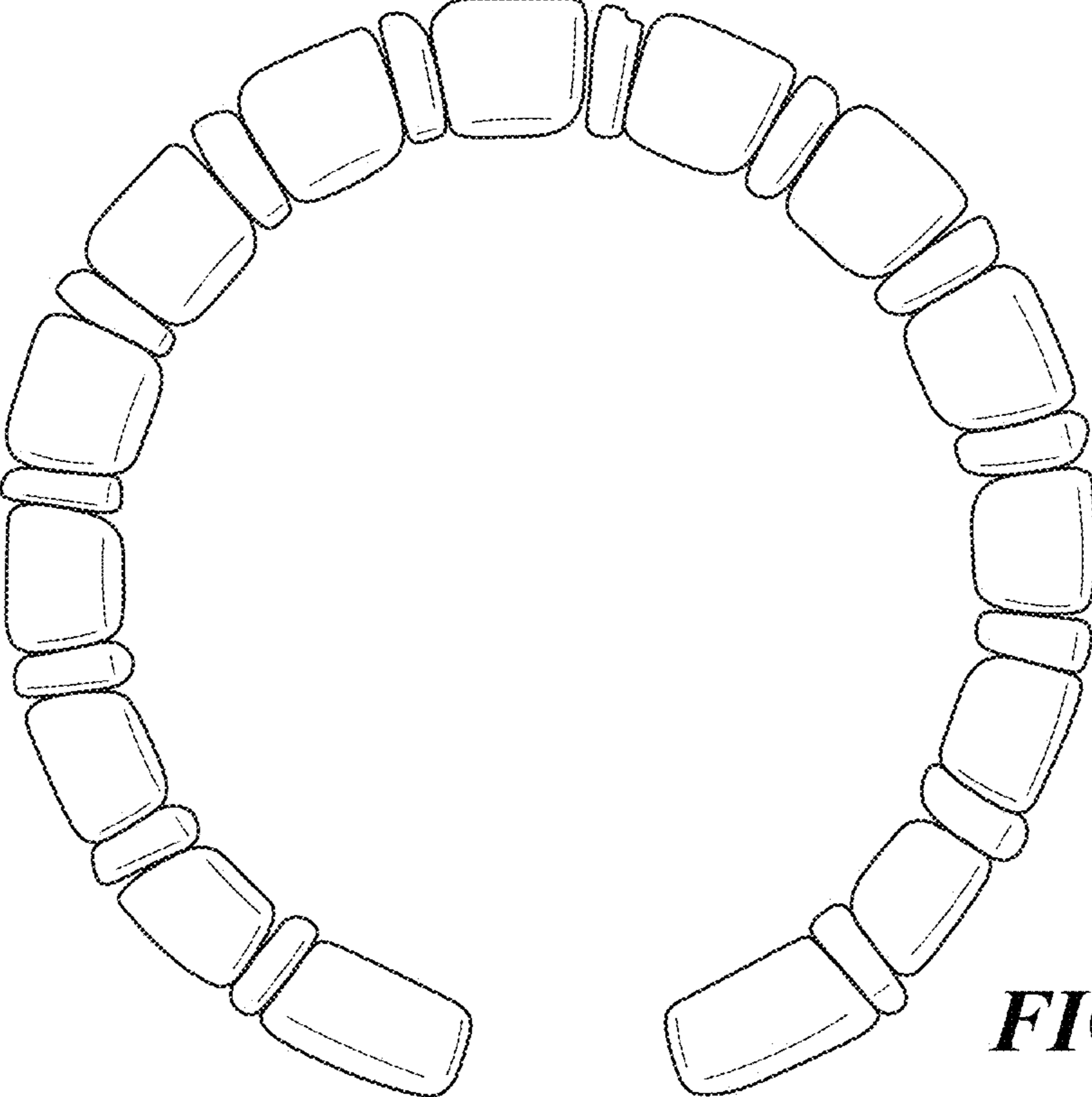


FIG. 6

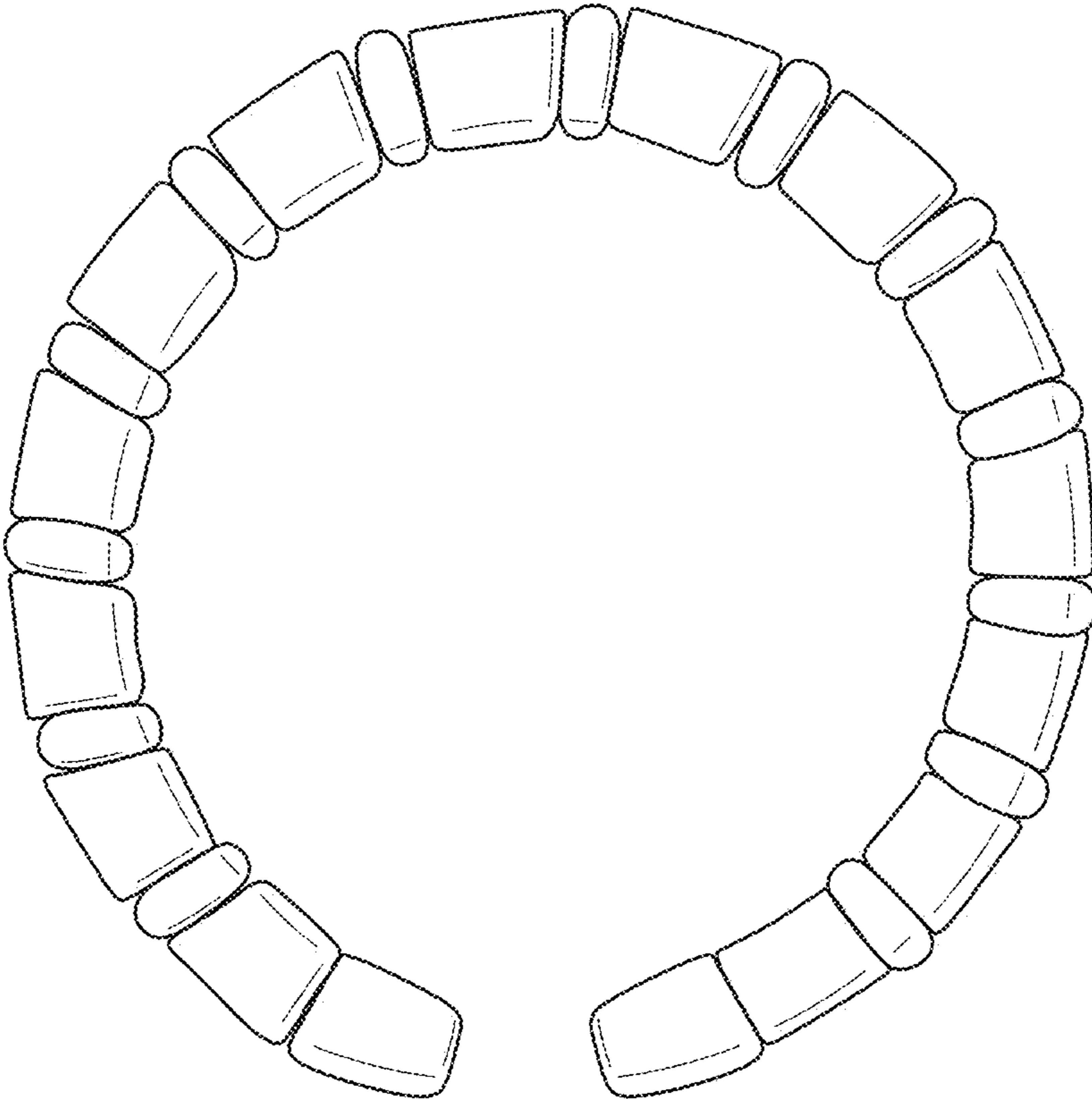


FIG. 7